



US00D861248S

(12) **United States Design Patent** (10) **Patent No.:** **US D861,248 S**
Barbaglia et al. (45) **Date of Patent:** **** Sep. 24, 2019**

(54) **DEPILATORY DEVICE**
(71) Applicant: **Reckitt Benckiser (Brands) Limited**,
Slough (GB)
(72) Inventors: **Laura Barbaglia**, Parsippany, NJ (US);
Samuel James Roper, Hull (GB); **Xian**
Zhi Zhou, Dongguan (CN)

3,816,863 A * 6/1974 Thielemann, Jr. B25F 1/00
15/236.01
D265,940 S * 8/1982 Olsson D32/46
4,538,320 A * 9/1985 Batt B60S 3/045
15/105
D323,236 S * 1/1992 Copp D1/106
(Continued)

(73) Assignee: **RECKITT BENCKISER HEALTH**
LIMITED, Slough (GB)

JP D1426625 * 11/2011

(**) Term: **15 Years**

OTHER PUBLICATIONS

(21) Appl. No.: **29/611,921**

Triangle Bikini Shaping Tool, LadyShape, zazazoo.nl.com, pub-
lished by blogger zazazoo on Jun. 3, 2014 © not listed, online, site
visited Oct. 2, 2018. Available from Internet, URL: <https://www.zazazoo.nl/het-gemak-van-de-ladyshape/> (Year: 2014).*

(22) Filed: **Jul. 26, 2017**

(Continued)

(30) **Foreign Application Priority Data**

Feb. 21, 2017 (EM) 003760917-0002

(51) **LOC (12) Cl.** **28-03**

(52) **U.S. Cl.**
USPC **D28/44.1**

(58) **Field of Classification Search**
USPC D28/9-10, 44, 57, 60, 73, 81, 85, 44.1;
D6/716.2; 297/115-117, 188.14-188.16,
297/227, 411.2; D19/108, 187, 178, 199,
D19/203; 424/445; D8/20, 90;
D15/126, 129, 138-139; D14/402, 405,
D14/415, 456
CPC A45D 40/28; A45D 2200/1009; A45D
2200/1018; A45D 2200/1027; A45D
2200/1036; A45D 37/00; A45D
2019/0075; A45D 19/0008; A45D 27/42;
A45D 24/36
See application file for complete search history.

Primary Examiner — Shannon W Morgan
Assistant Examiner — Altaira J Swangin
(74) *Attorney, Agent, or Firm* — Troutman Sanders LLP;
Ryan Schneider; Chris Davis

(57) **CLAIM**

The ornamental design for a depilatory device, as shown and
described.

DESCRIPTION

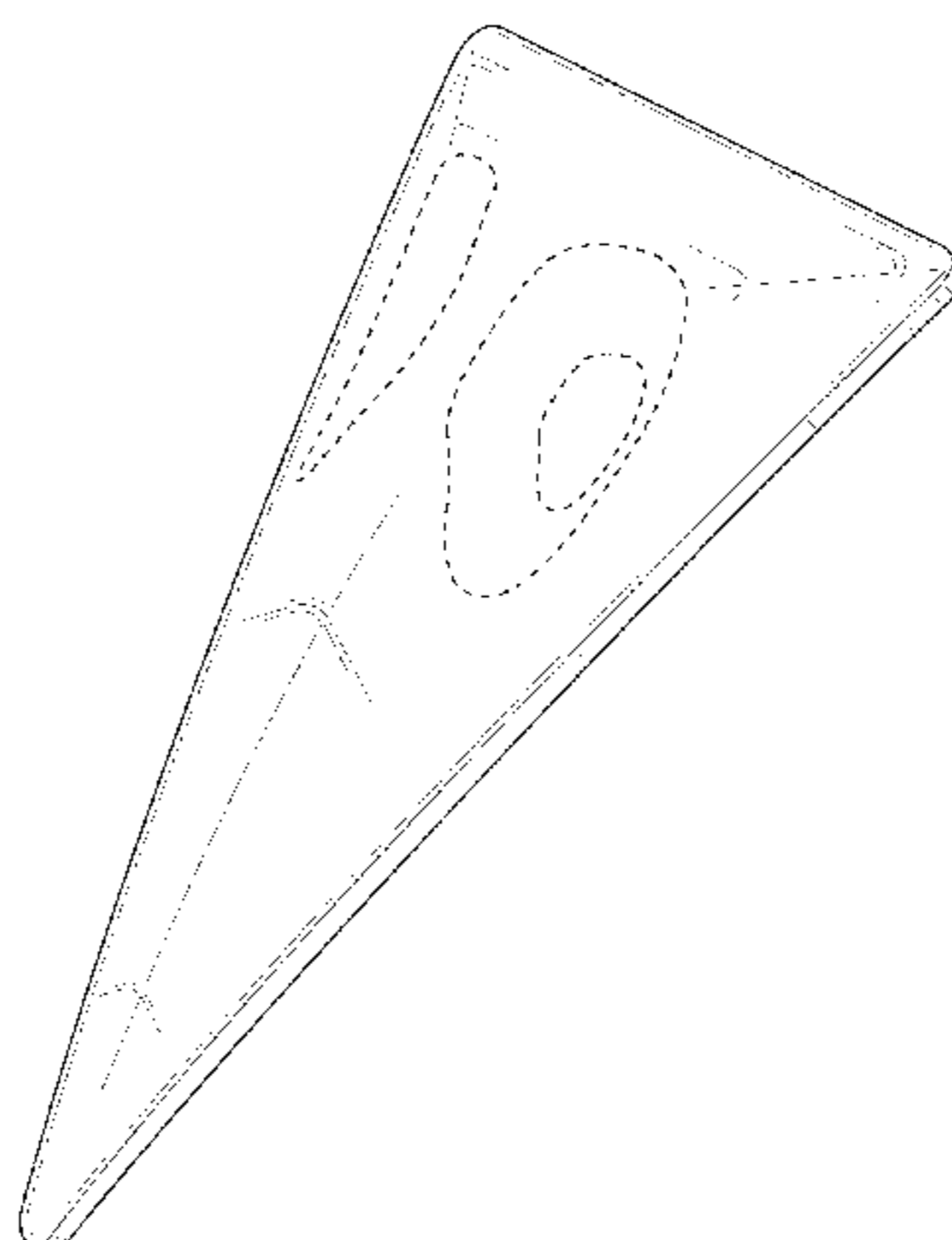
FIG. 1 is a front, right perspective view of our new design
for a depilatory device;
FIG. 2 is a front elevation view thereof;
FIG. 3 is a left side elevation view thereof;
FIG. 4 is a back elevation view thereof;
FIG. 5 is a right side elevation view thereof;
FIG. 6 is a top plan view thereof; and,
FIG. 7 is a bottom plan view thereof.
The broken lines are included for the purpose of illustrating
a portion of the depilatory device which form no part of the
claimed design.

(56) **References Cited**

U.S. PATENT DOCUMENTS

D28,096 S * 12/1897 Watson D32/46
D47,083 S * 3/1915 Swaab D1/127

1 Claim, 7 Drawing Sheets



(56)

References Cited

U.S. PATENT DOCUMENTS

5,309,598 A * 5/1994 Carpenter A47L 13/02
15/236.01
5,313,746 A * 5/1994 Zarriello B24D 15/023
451/522
5,450,671 A * 9/1995 Harshman B26B 21/00
30/30
D364,719 S * 11/1995 Crawford D32/46
5,468,083 A * 11/1995 Chesar B43K 23/004
15/437
5,486,168 A * 1/1996 Runeman A61F 13/471
604/385.26
D367,672 S * 3/1996 Hahn D1/127
5,665,169 A * 9/1997 Lisle A47L 13/02
134/6
D453,531 S * 2/2002 Simon D19/163
D475,493 S * 6/2003 Barsamian D32/52
D478,699 S * 8/2003 Henriksson D32/49
7,225,848 B2 * 6/2007 Williams B29C 63/0047
156/574
D546,512 S * 7/2007 Kertz D1/127
D577,751 S * 9/2008 Pinchot D15/139
D580,959 S * 11/2008 Pinchot D15/138
8,308,389 B2 * 11/2012 Yu E04F 21/1655
118/44
D677,429 S * 3/2013 Muhammad D28/4
D702,016 S * 4/2014 Shanklin D1/128
D716,631 S * 11/2014 Miller D8/70
D729,116 S * 5/2015 Riccobono D11/165
D742,195 S * 11/2015 Dow D8/90
D745,568 S * 12/2015 Lentz D15/5
D755,057 S * 5/2016 Mutter D9/529
D769,574 S * 10/2016 Peterson D1/126
D770,092 S * 10/2016 Lim D28/7
9,635,924 B1 * 5/2017 Herrera A45D 40/30
D806,149 S * 12/2017 Williams D15/138
9,913,747 B2 * 3/2018 Zaltsberg A61F 5/30
D822,077 S * 7/2018 Takahashi D15/139
D823,586 S * 7/2018 Southernwood D2/961

D824,129 S * 7/2018 Gooden D32/46
D824,649 S * 8/2018 Southernwood D2/961
D825,104 S * 8/2018 Simard D28/7
D827,273 S * 9/2018 Southernwood D2/961
D829,783 S * 10/2018 Williams D15/138
D829,784 S * 10/2018 Williams D15/138
D831,287 S * 10/2018 Vasilakes D32/52
D846,607 S * 4/2019 Williams D15/138
2002/0088539 A1 * 7/2002 Beaudry A45D 29/11
156/289
2006/0062833 A1 * 3/2006 Moe A61F 13/00063
424/445
2009/0101155 A1 * 4/2009 Young A45D 27/42
128/830
2009/0205671 A1 * 8/2009 Saito A45D 24/36
132/213
2012/0031418 A1 * 2/2012 Heltzel A45D 27/00
132/200
2013/0234351 A1 * 9/2013 Johnson A61K 8/34
264/36.1

OTHER PUBLICATIONS

Vinyl Wrapping Tool TM-099, Contour Squeegee, tintingtool.com, author not listed, published May 21, 2017 per wayback machine © 2004-2015 Professional Window Tint Tools Manufacturer, online, site visited Feb. 26, 2019. Available from Internet, URL: <https://www.tintingtool.com/squeegees/yellow> . . . (Year: 2017).*

Vinyl Wrapping Tool TM-201, Contour Squeegee, tintingtool.com, author not listed, published Jun. 19, 2016 per wayback machine © 2004-2015 Professional Window Tint Tools Manufacturer, online, site visited Feb. 26, 2019. Available from Internet, URL: <https://www.tintingtool.com/squeegees/yellow> . . . (Year: 2016).*

Bikini Shaping Tool—Triangle, LadyShape, iglow.no, author not listed, published Apr. 13, 2016 per wayback machine © not listed, online, site visited Feb. 26, 2019. Available from Internet, URL: https://www.iglow.no/ladyshape_bikini_shaping_tool_triangle/ (Year: 2016).*

* cited by examiner

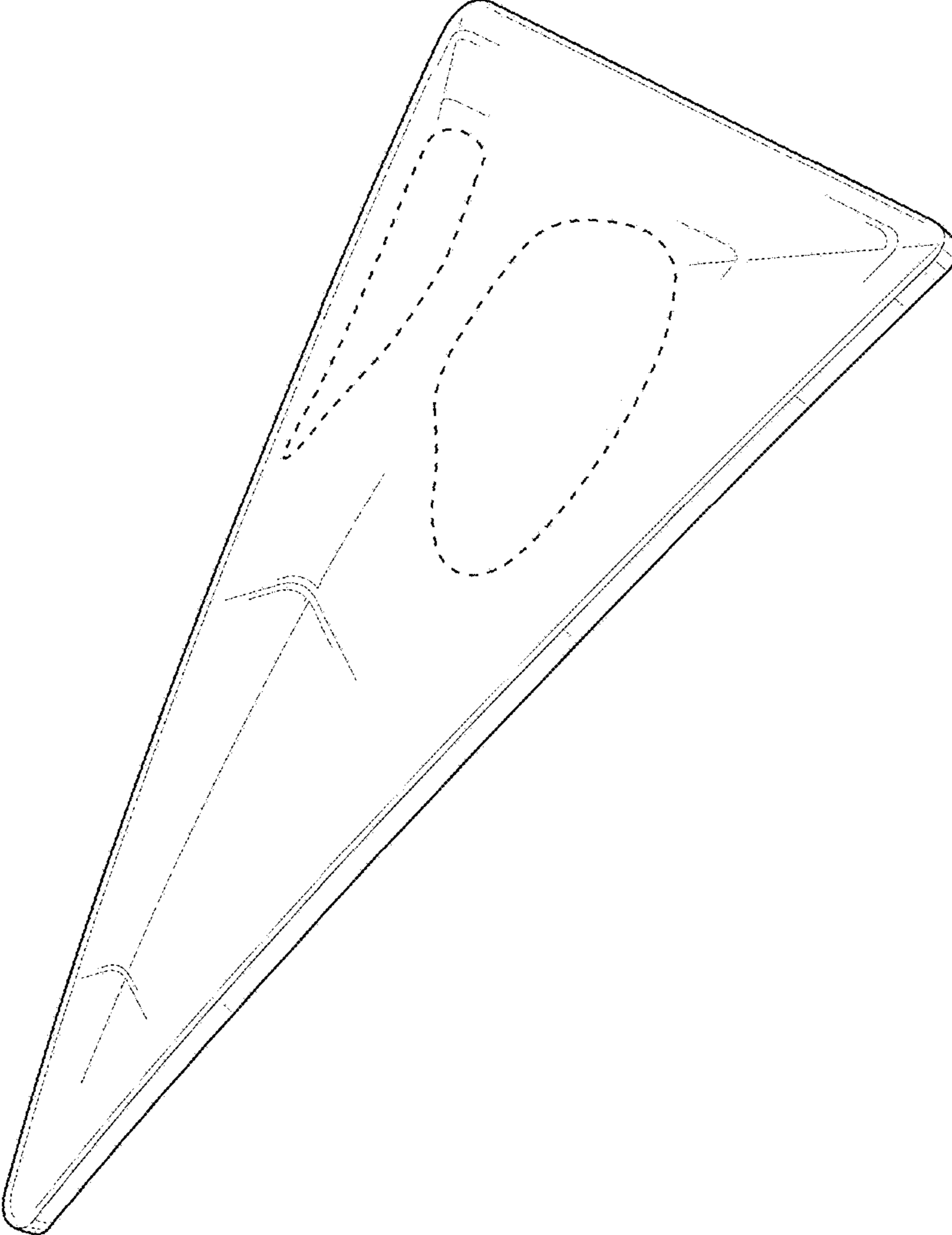


FIG. 1

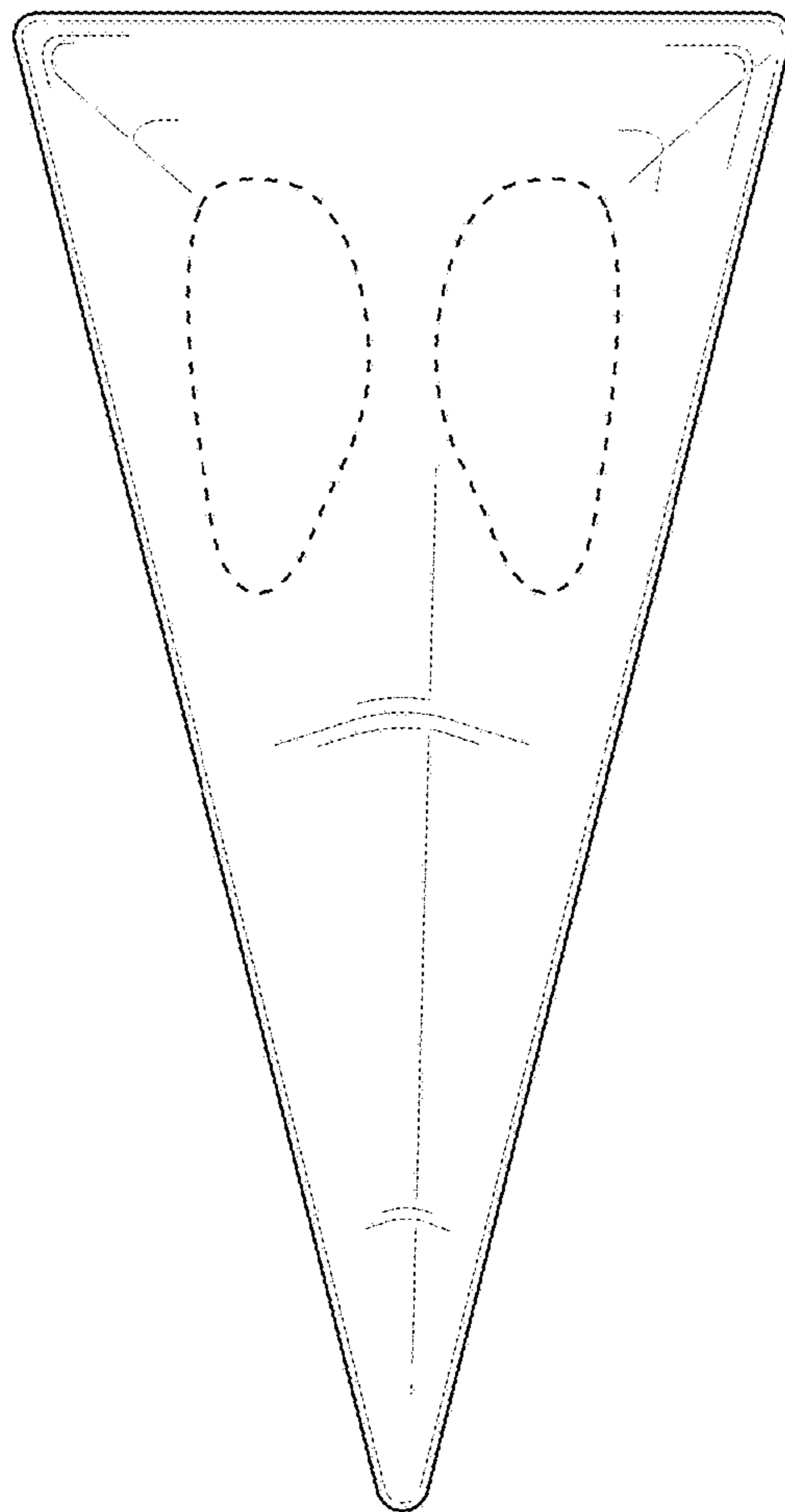


FIG. 2

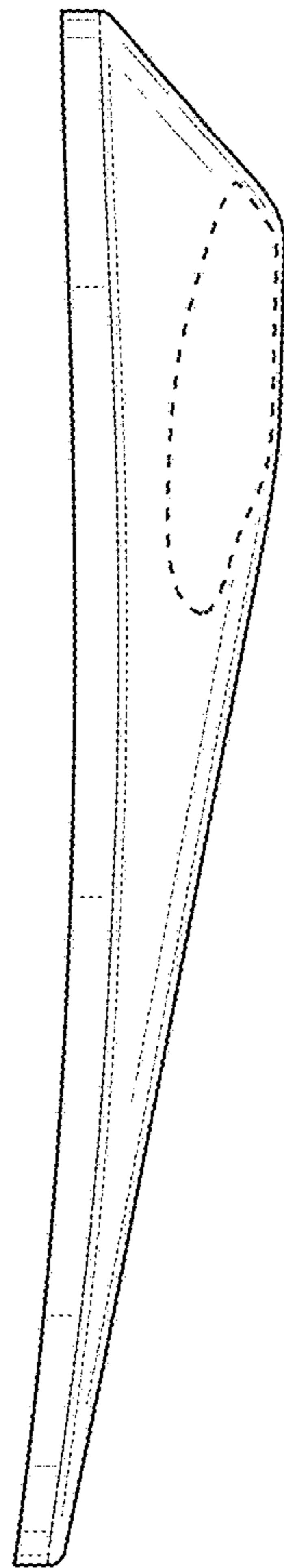


FIG. 3

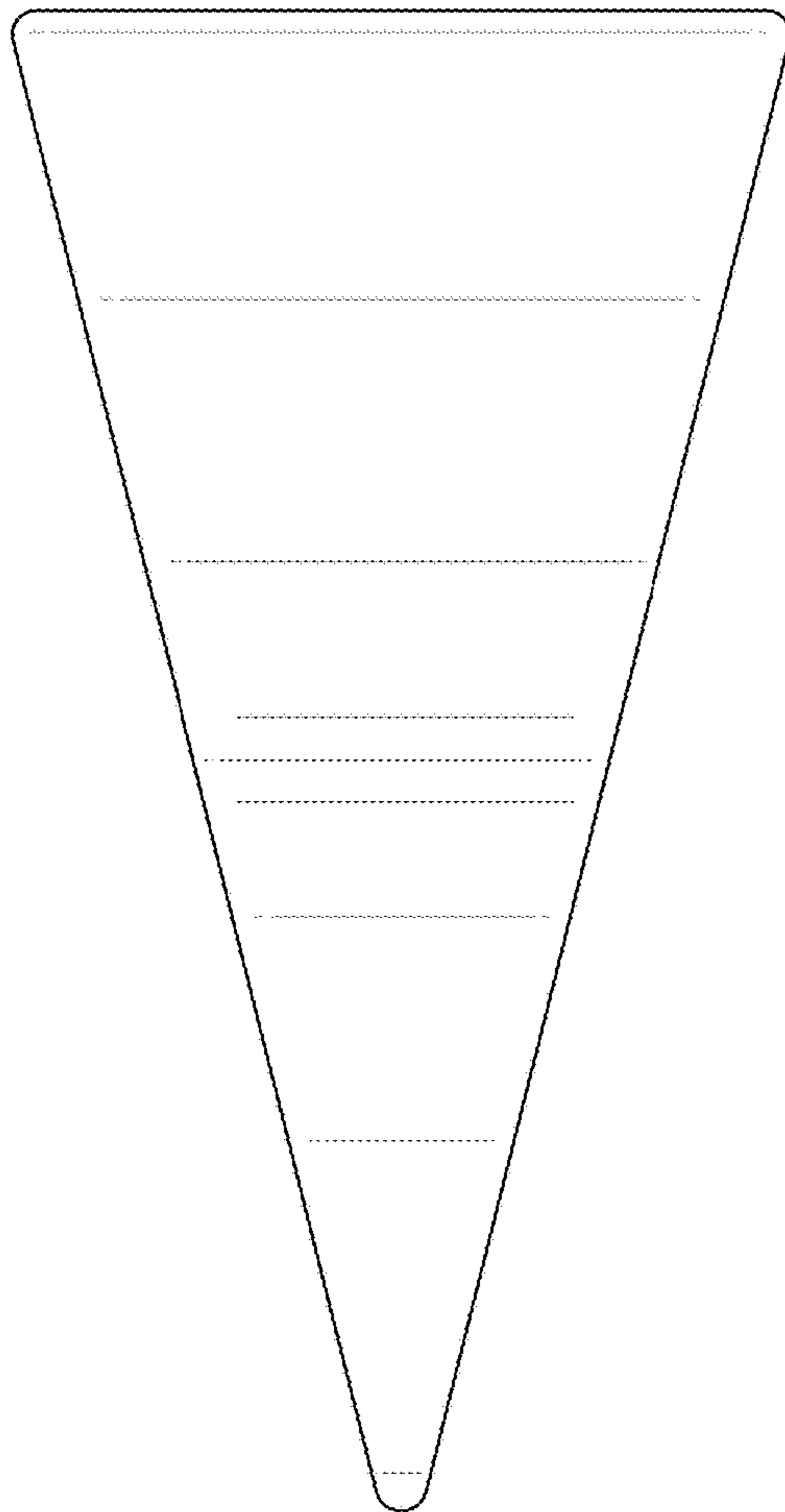


FIG. 4

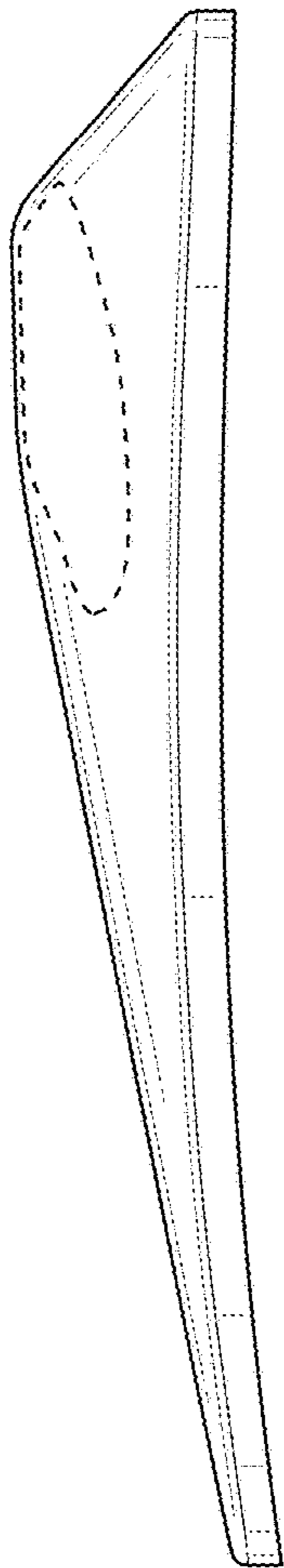


FIG. 5

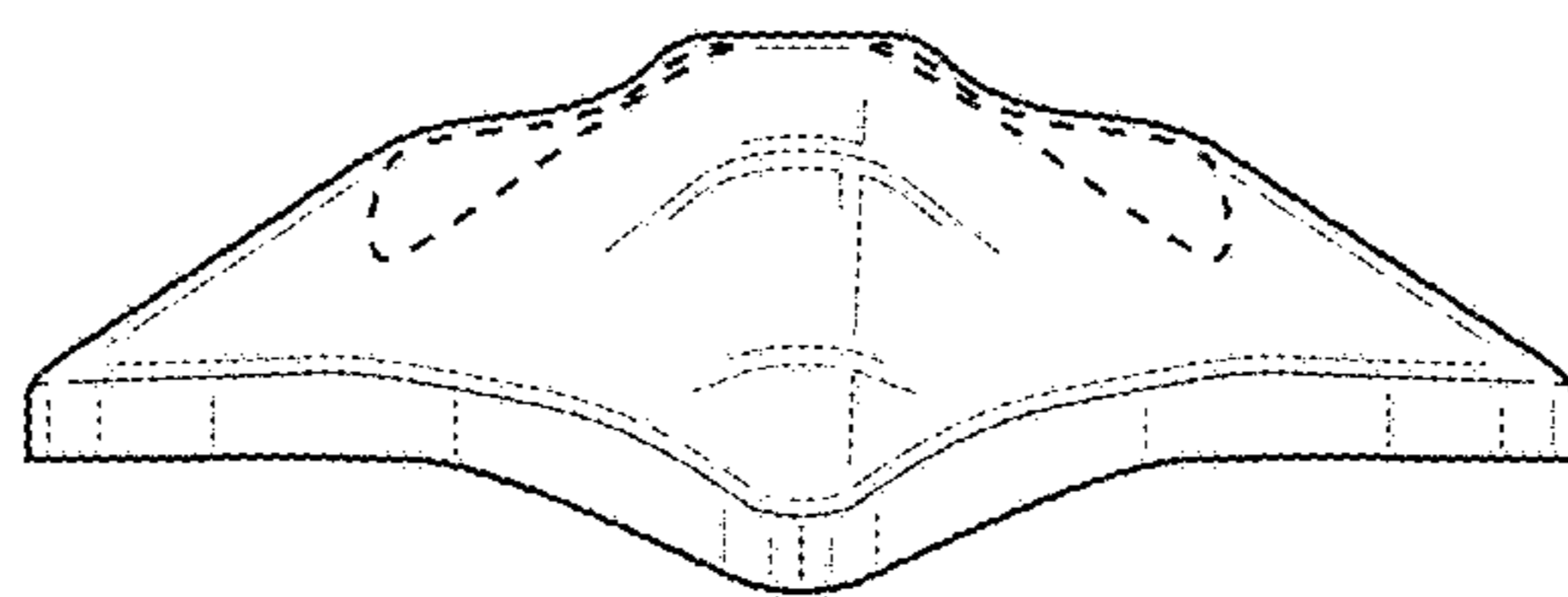


FIG. 6

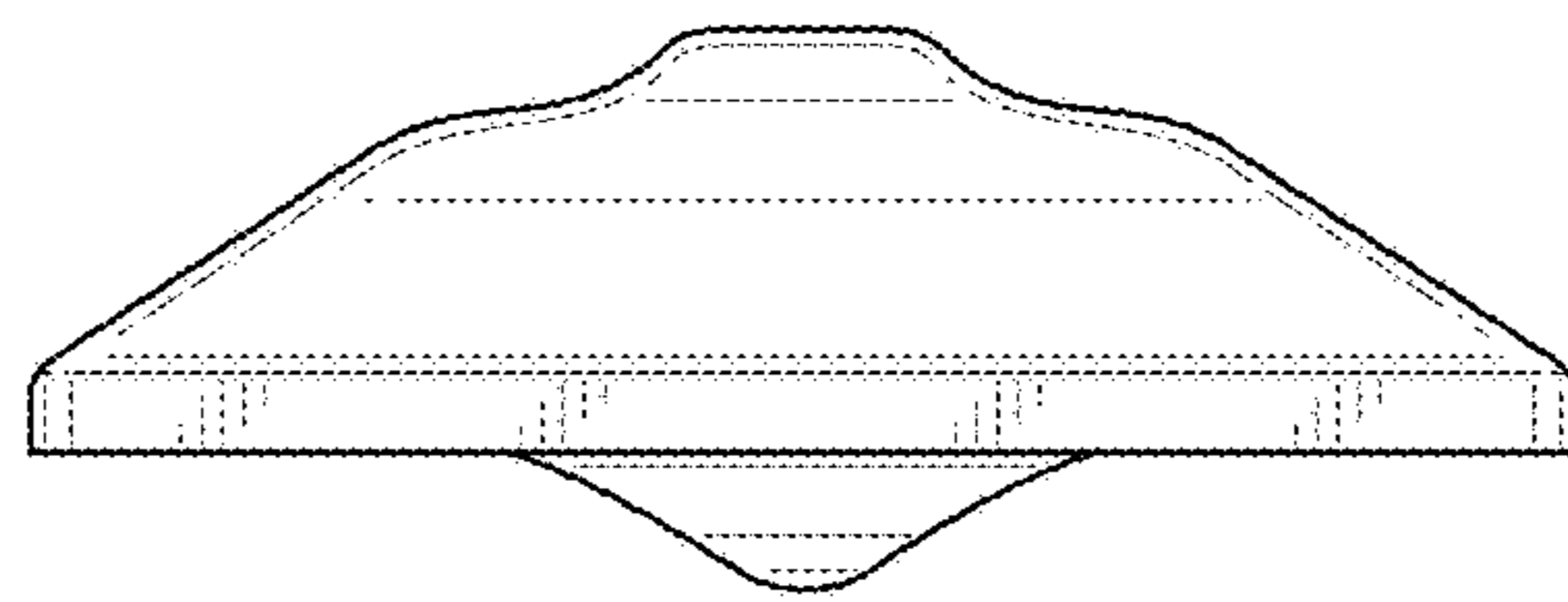


FIG. 7