



US00D861247S

(12) **United States Design Patent** (10) **Patent No.:** **US D861,247 S**
Barbaglia et al. (45) **Date of Patent:** **** Sep. 24, 2019**

(54) **DEPILATORY DEVICE**
(71) Applicant: **Reckitt Benckiser (Brands) Limited**,
Slough (GB)
(72) Inventors: **Laura Barbaglia**, Parsippany, NJ (US);
Samuel James Roper, Hull (GB); **Xian
Zhi Zhou**, Dongguan (CN)
(73) Assignee: **RECKITT BENCKISER HEALTH
LIMITED**, Slough (GB)
(**) Term: **15 Years**
(21) Appl. No.: **29/611,922**
(22) Filed: **Jul. 26, 2017**

(30) **Foreign Application Priority Data**
Feb. 21, 2017 (EM) 003760917-0003
(51) **LOC (12) Cl.** **28-03**
(52) **U.S. Cl.**
USPC **D28/44**
(58) **Field of Classification Search**
USPC D28/9-10, 44, 57, 60, 73, 81, 85, 44.1;
D6/716.2; 297/115-117, 188.14-188.16,
297/227, 411.2; D19/108, 187, 178, 199,
D19/203; 424/445; D8/20, 90;
D15/126, 129, 138-139; D14/402, 405,
D14/415, 456; D32/35, 40-41, 45-46;
132/213; 451/29
CPC A45D 40/28; A45D 2200/1009; A45D
2200/1018; A45D 2200/1027; A45D
2200/1036; A45D 37/00; A45D
2019/0075; A45D 19/0008; A45D 27/42;
A45D 24/36
See application file for complete search history.

(56) **References Cited**
U.S. PATENT DOCUMENTS
D232,803 S * 9/1974 Kleiman D32/46
D286,696 S * 11/1986 Gatarz D32/45

D373,143 S * 8/1996 Jagger D19/203
D379,256 S * 5/1997 Tipp D32/46
D402,776 S * 12/1998 Carlson D32/50
D406,515 S * 3/1999 Ali D8/90
D437,191 S * 2/2001 Sofy D7/688
(Continued)

FOREIGN PATENT DOCUMENTS

KR 300718809.0000 * 12/2013

OTHER PUBLICATIONS

Rugby Eraser, Keyroad Stationary, mrdiy2u.wordpress.com, posted by Mr. D.I.Y. on Jun. 18, 2017 per Wayback Machine ® not listed, online, site visited Jul. 18, 2018. Available from Internet, URL: <https://mrdiy2u.wordpress.com/2016/05/22/top-10-picks-from-keyroad-stationery/> (Year: 2017).*

Primary Examiner — Shannon W Morgan
Assistant Examiner — Altaira J Swangin
(74) *Attorney, Agent, or Firm* — Troutman Sanders LLP;
Ryan Schneider; Chris Davis

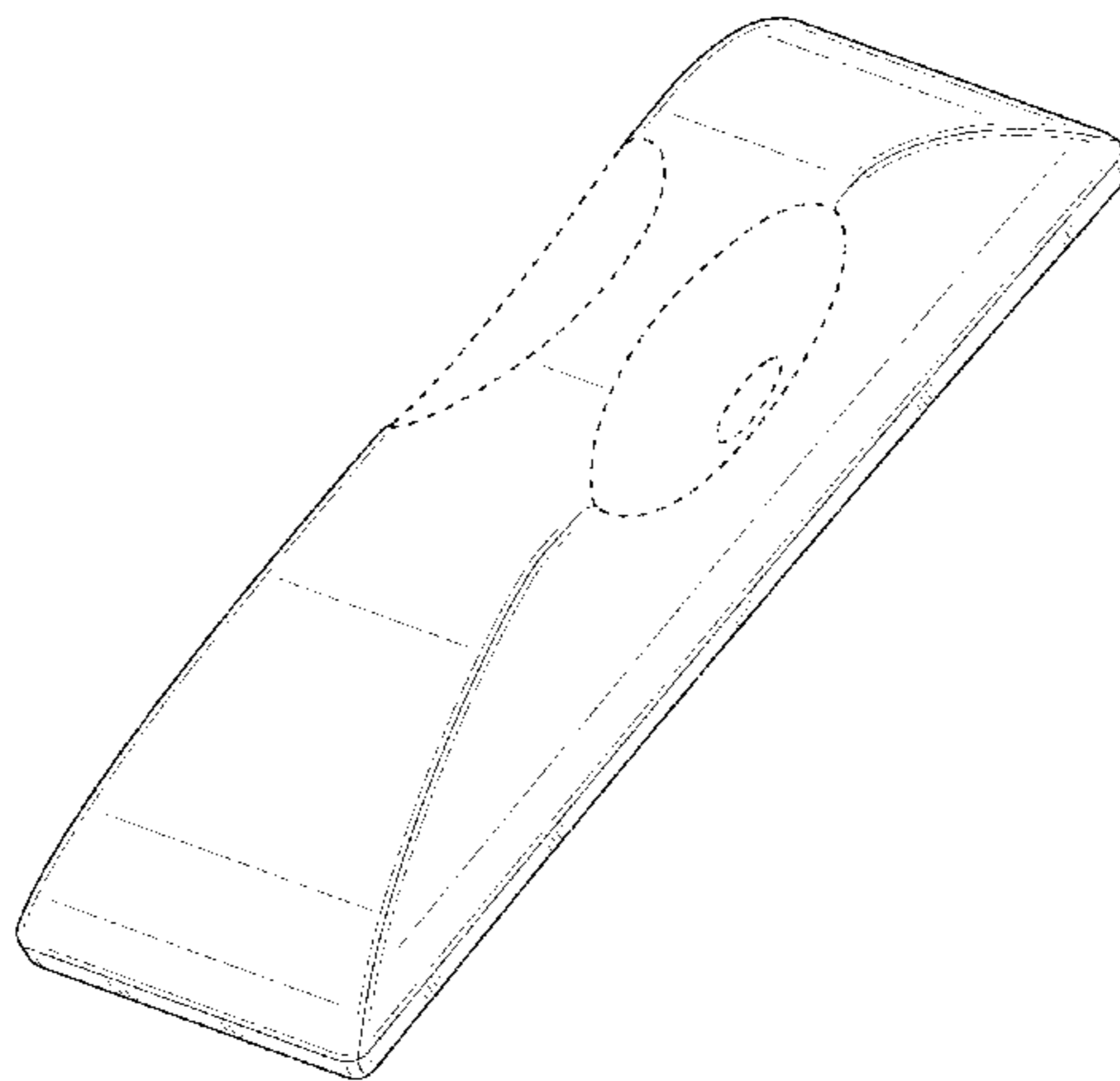
(57) **CLAIM**

The ornamental design for a depilatory device, as shown and described.

DESCRIPTION

FIG. 1 is a front, right perspective view of our new design for a depilatory device;
FIG. 2 is a front elevation view thereof;
FIG. 3 is a left side elevation view thereof;
FIG. 4 is a back elevation view thereof;
FIG. 5 is a right side elevation view thereof;
FIG. 6 is a top plan view thereof; and,
FIG. 7 is a bottom plan view thereof.
The broken lines are included for the purpose of illustrating portions of the depilatory device which form no part of the claimed design.

1 Claim, 7 Drawing Sheets



(56)

References Cited

U.S. PATENT DOCUMENTS

D457,981 S * 5/2002 Yeh D26/76
 D475,493 S * 6/2003 Barsamian D32/52
 D479,458 S * 9/2003 Masterson D8/101
 D480,424 S * 10/2003 Belton D19/187
 D499,908 S * 12/2004 Edwards D6/366
 D513,813 S * 1/2006 Avery D28/44.1
 D516,236 S * 2/2006 Yeh D26/89
 D547,954 S * 8/2007 Thurin D32/52
 D563,676 S * 3/2008 Knopow D4/137
 D611,540 S * 3/2010 Li D19/203
 D647,093 S * 10/2011 Kim D14/407
 D648,794 S * 11/2011 Yuan D19/187
 D662,096 S * 6/2012 Yu D14/407
 D667,740 S * 9/2012 Leung D10/50
 D668,294 S * 10/2012 Luettgens D19/203
 D682,068 S * 5/2013 Pulford, Jr. D8/303
 D684,831 S * 6/2013 Malcolm D8/20
 D687,286 S * 8/2013 Ali D8/90
 D690,888 S * 10/2013 Pearson D32/32
 D691,764 S * 10/2013 Sieczkowski D26/120
 D697,500 S * 1/2014 Tsai D14/218
 D707,525 S * 6/2014 Ali D8/90

D716,631 S * 11/2014 Miller D8/70
 D738,056 S * 9/2015 Harai D32/40
 D747,053 S * 1/2016 Baldwin D32/40
 D752,013 S * 3/2016 Benedetti D14/204
 D766,476 S * 9/2016 Liu D26/28
 D779,248 S * 2/2017 Welsh D6/716.2
 D783,194 S * 4/2017 Camarota D26/89
 D808,803 S * 1/2018 Ngo D9/443
 D814,949 S * 4/2018 Clapper D10/46
 D826,680 S * 8/2018 Ali D8/90
 D834,912 S * 12/2018 Petersen D8/90
 D840,124 S * 2/2019 Greenberger D32/46
 2004/0248751 A1 * 12/2004 Johnson B65D 65/10
 510/141
 2007/0067937 A1 * 3/2007 Federlein A47L 13/16
 15/244.4
 2009/0101155 A1 * 4/2009 Young A45D 27/42
 128/830
 2009/0205671 A1 * 8/2009 Saito A45D 24/36
 132/213
 2010/0009610 A1 * 1/2010 Rivard B24D 15/04
 451/526
 2012/0289135 A1 * 11/2012 Ali B24D 15/023
 451/540

* cited by examiner

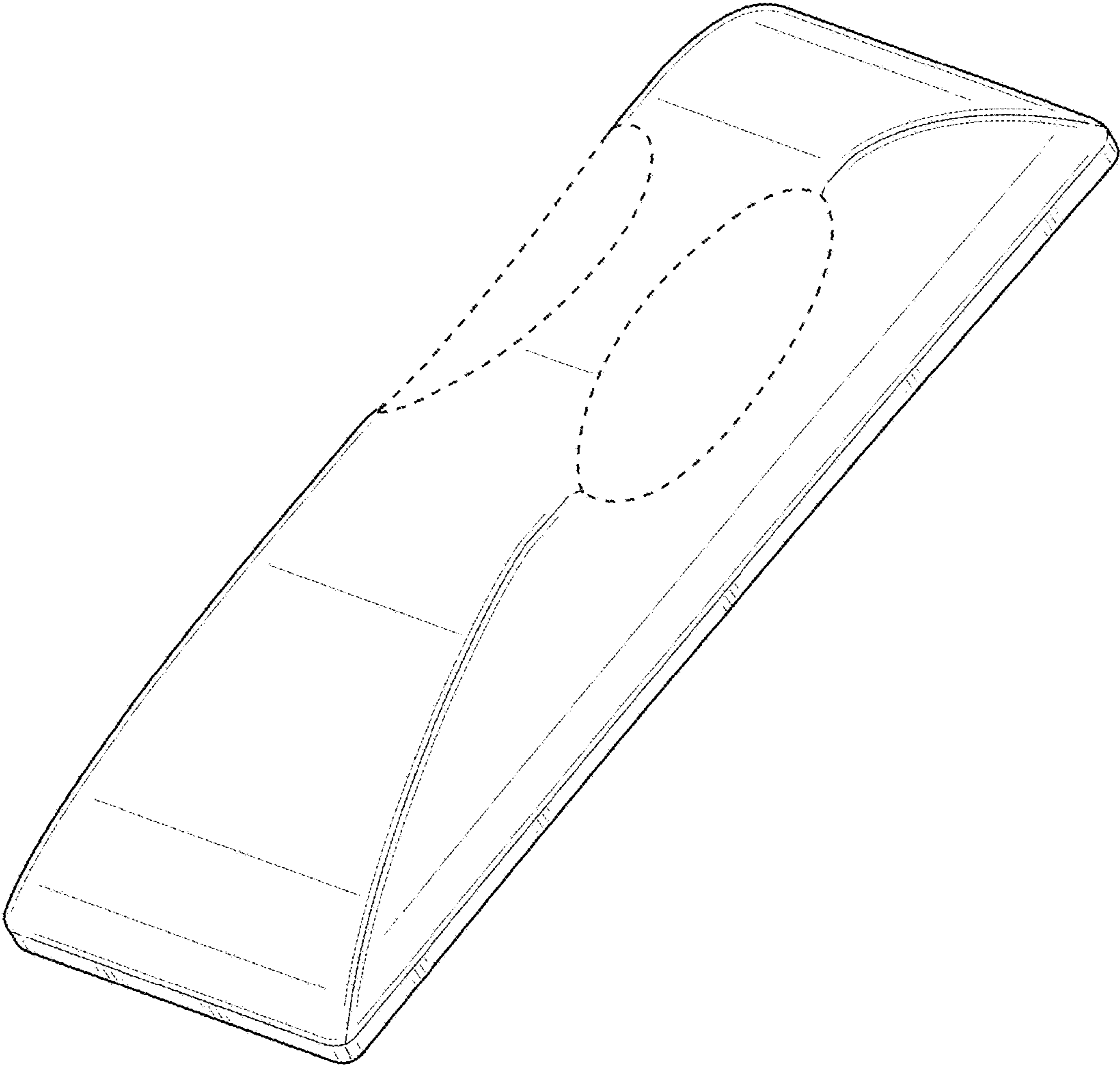


FIG. 1

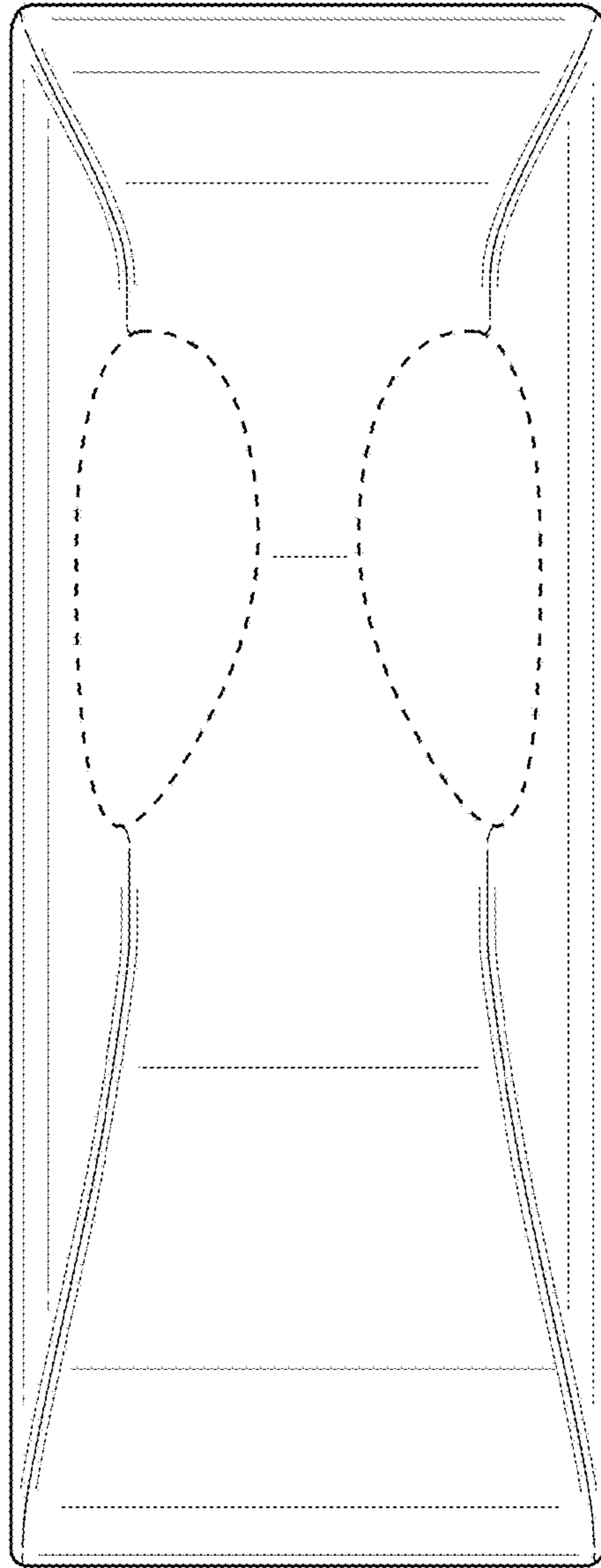


FIG. 2

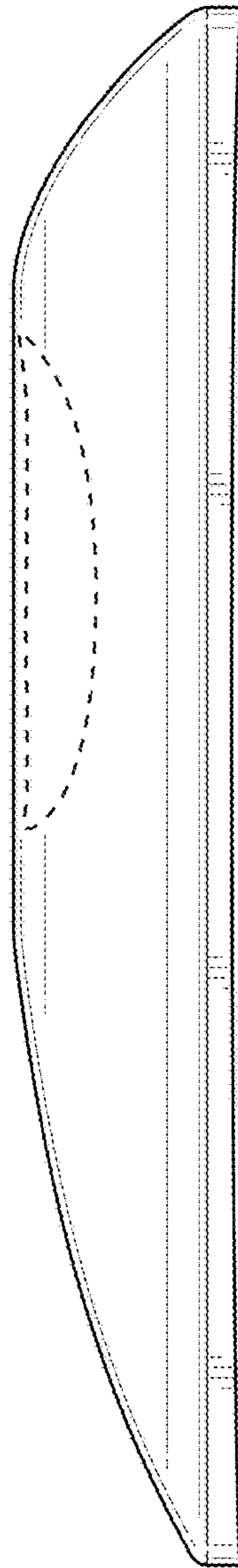


FIG. 3

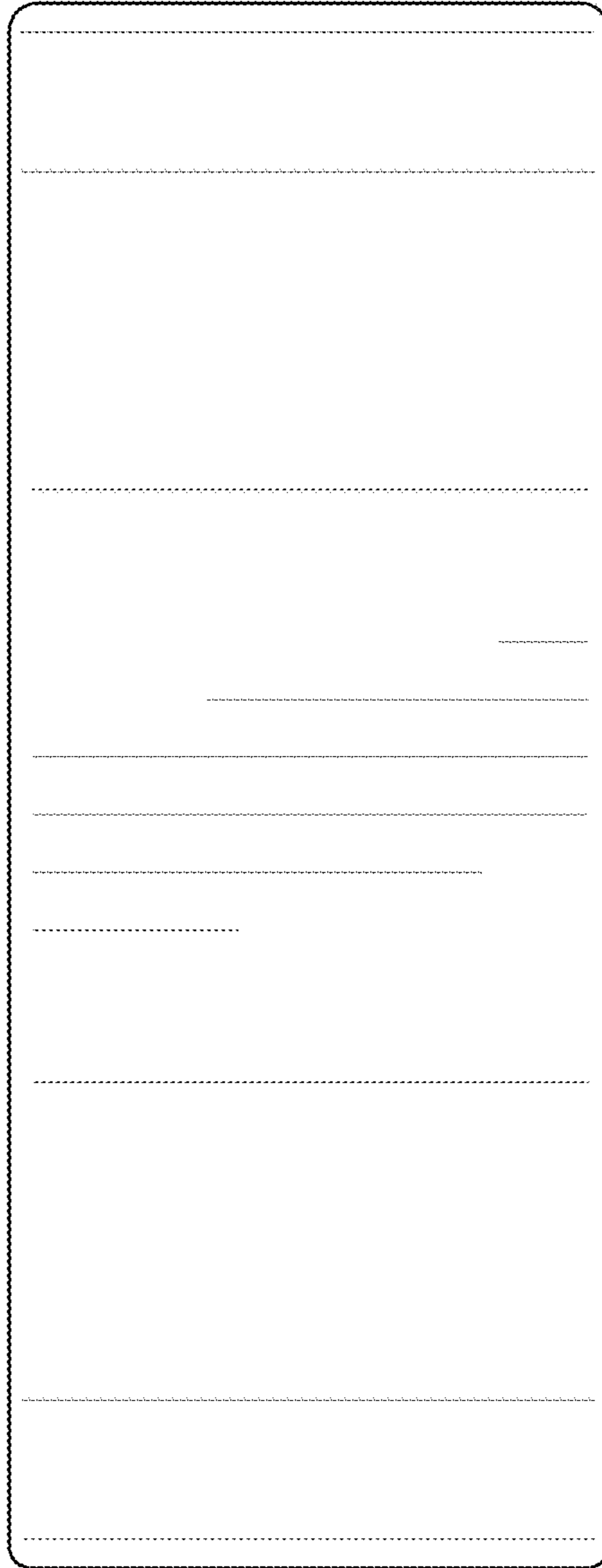


FIG. 4

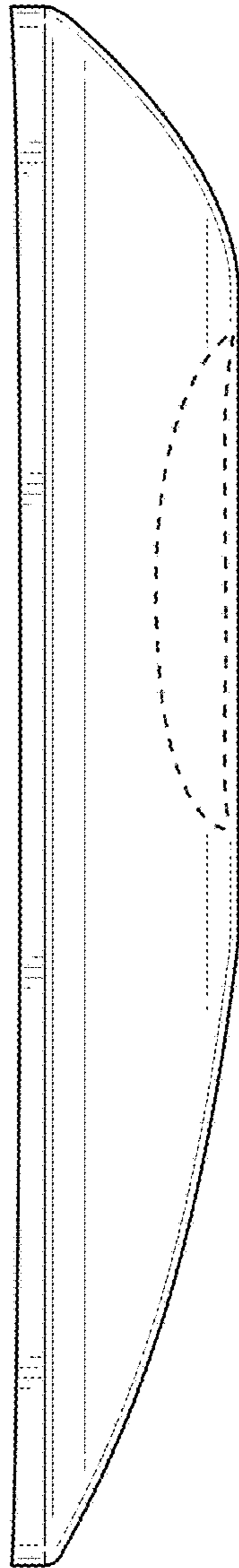


FIG. 5

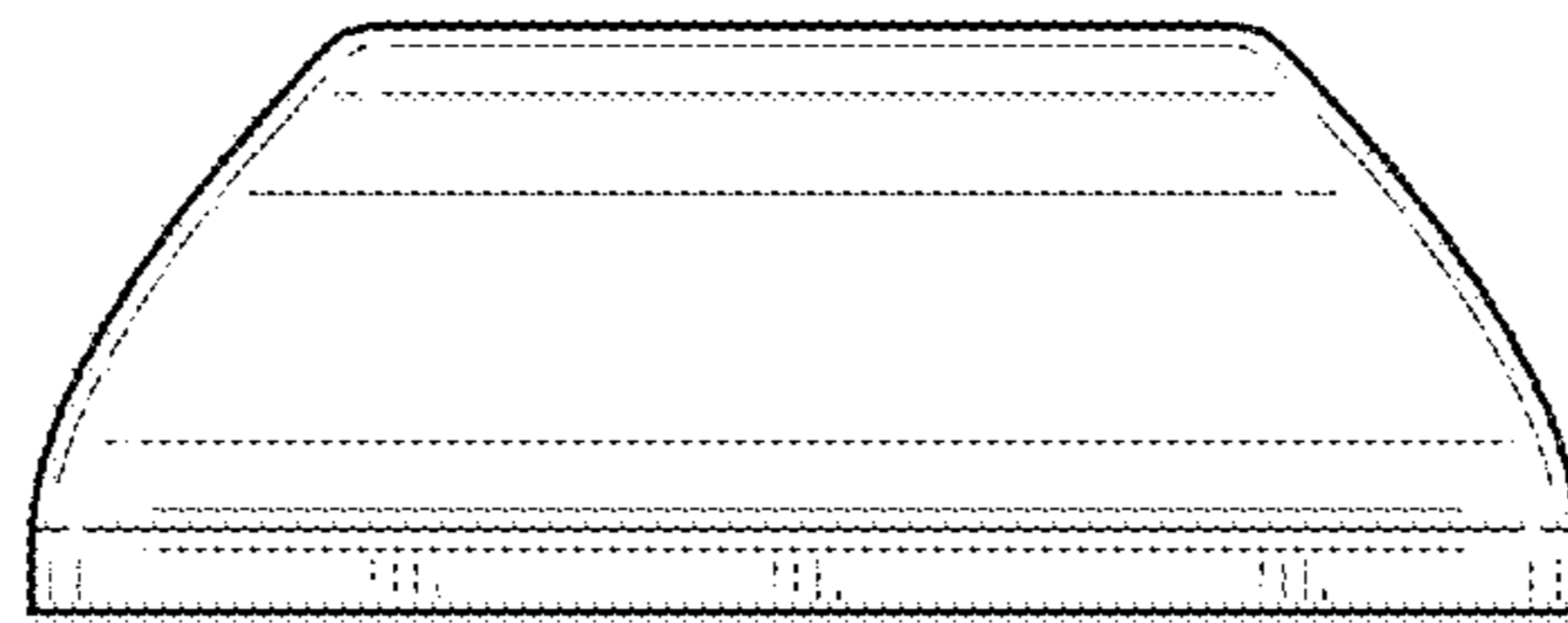


FIG. 6

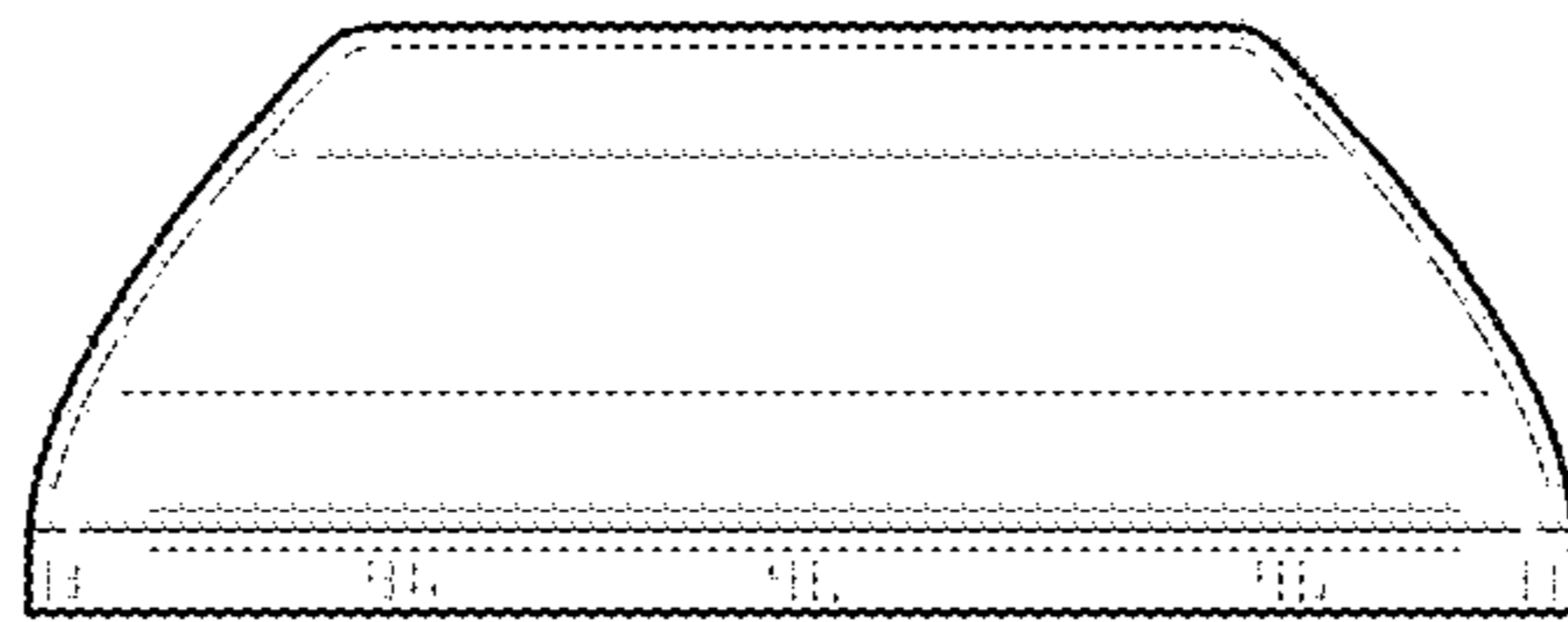


FIG. 7