



US00D861246S

(12) **United States Design Patent** (10) **Patent No.:** **US D861,246 S**
Hsu (45) **Date of Patent:** **** Sep. 24, 2019**

(54) **HAIR DRYER**
(71) Applicant: **Zhejiang Siau Electric Appliance Co., Ltd.**, Hangzhou, Zhejiang Province (CN)
(72) Inventor: **Annie Hsu**, Hangzhou (CN)
(73) Assignee: **Zhejiang Siau Electric Appliance Co., Ltd.**, Hangzhou (CN)
(**) Term: **15 Years**
(21) Appl. No.: **29/641,909**
(22) Filed: **Mar. 26, 2018**
(51) **LOC (12) Cl.** **28-03**
(52) **U.S. Cl.**
USPC **D28/13**
(58) **Field of Classification Search**
USPC D28/15, 13, 10, 21, 24–26, 28; 34/96–98
CPC A45D 20/12; A45D 20/00; A45D 20/10;
A45D 20/04; A45D 20/08; A45D 20/122;
A45D 20/124; A45D 20/128
See application file for complete search history.

(56) **References Cited**
U.S. PATENT DOCUMENTS
D422,114 S * 3/2000 Gudfin D28/13
D499,209 S * 11/2004 Ikesaki D28/13
D519,242 S * 4/2006 Lin D28/13
D525,389 S * 7/2006 Yu D28/13
D600,405 S * 9/2009 Soresina D28/13
D603,094 S * 10/2009 Piard D28/13
D627,098 S * 11/2010 Kim D28/13
D627,510 S * 11/2010 Zabala D28/13
D629,967 S * 12/2010 Mayo D28/13

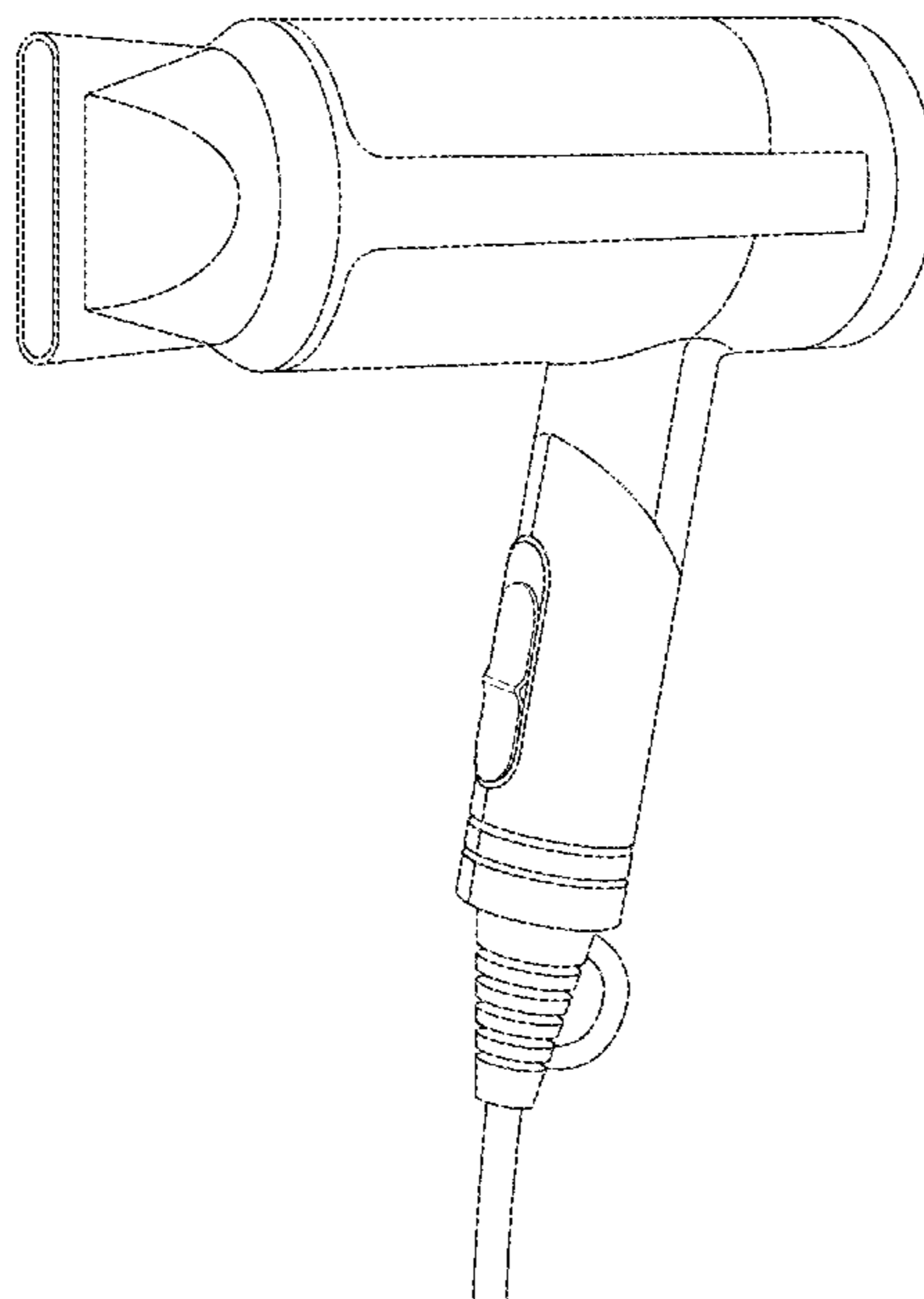
D651,342 S * 12/2011 Kim D28/13
D670,026 S * 10/2012 Hong D28/13
D677,834 S * 3/2013 Sayers D28/13
D681,274 S * 4/2013 Huang D28/13
D681,275 S * 4/2013 Huang D28/13
D710,541 S * 8/2014 Miyaji A45D 20/12
D715,484 S * 10/2014 Kang A45D 20/12
D750,322 S * 2/2016 Hu D28/13
D758,657 S * 6/2016 Hary D28/13
D775,764 S * 1/2017 Prat-Pfister D28/13
D782,732 S * 3/2017 Smith D28/13
2015/0366316 A1 * 12/2015 Soresina A45D 20/12
34/97

* cited by examiner
Primary Examiner — Janice Hallmark
Assistant Examiner — Rebecca Tsehaye
(74) *Attorney, Agent, or Firm* — Bay State IP, LLC

(57) **CLAIM**
The ornamental design for a hair dryer, as shown and described.

DESCRIPTION
FIG. 1 is a front perspective view of the hair dryer showing my new design;
FIG. 2 is a front view thereof;
FIG. 3 is a back view thereof;
FIG. 4 is a left side view thereof;
FIG. 5 is a right side view thereof;
FIG. 6 is a top view thereof; and,
FIG. 7 is a bottom view thereof.
The broken lines in the drawings depict portions of the hair dryer that form no part of the claimed design.

1 Claim, 6 Drawing Sheets



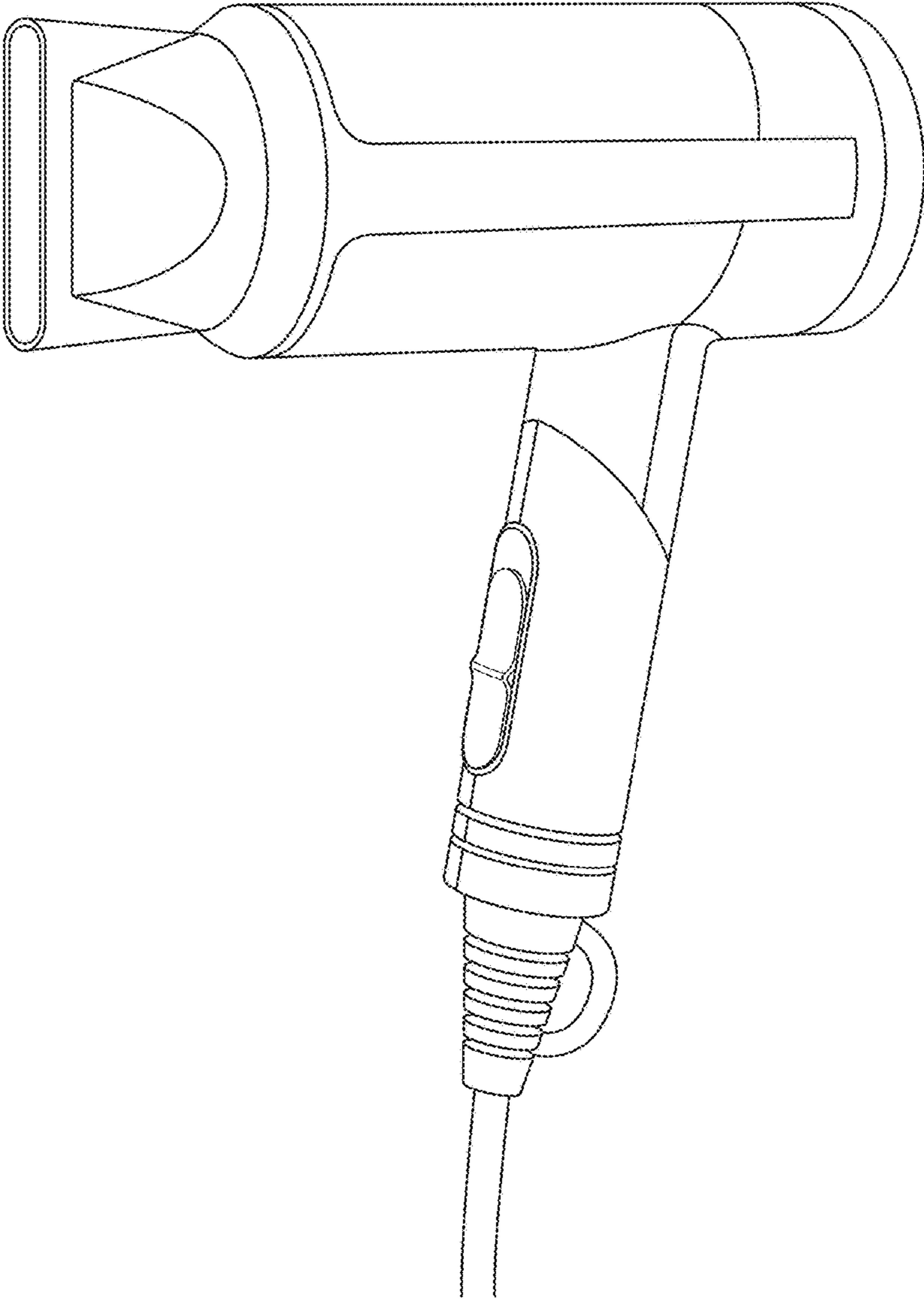


Fig. 1

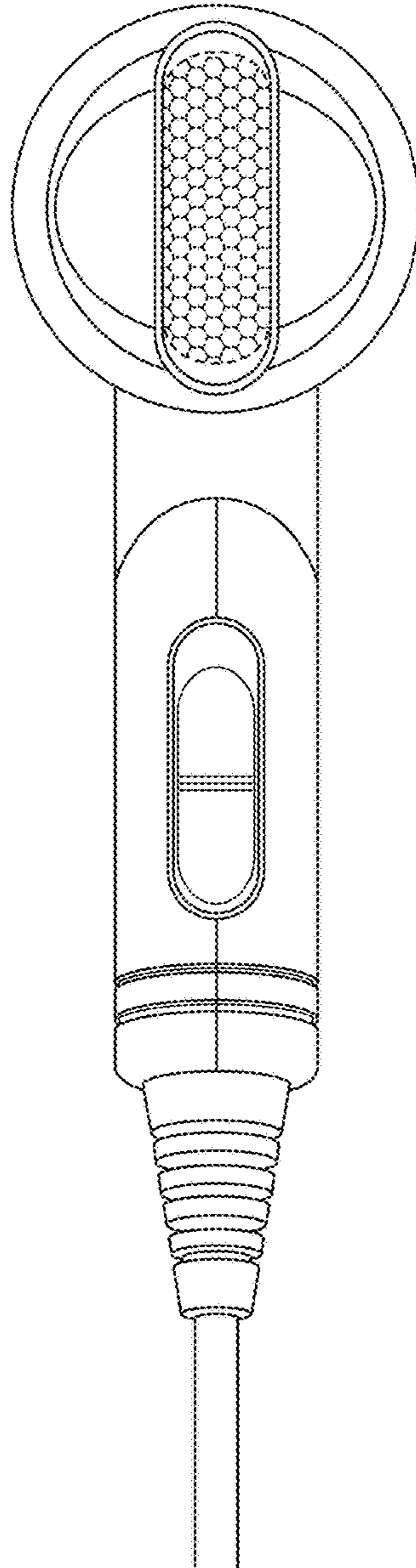


Fig. 2

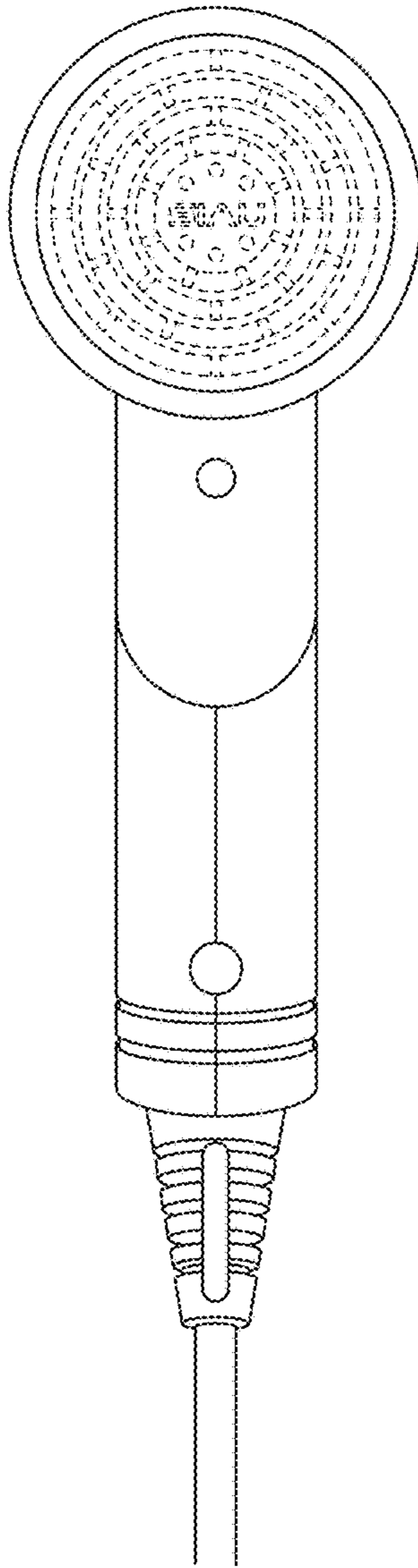


Fig. 3

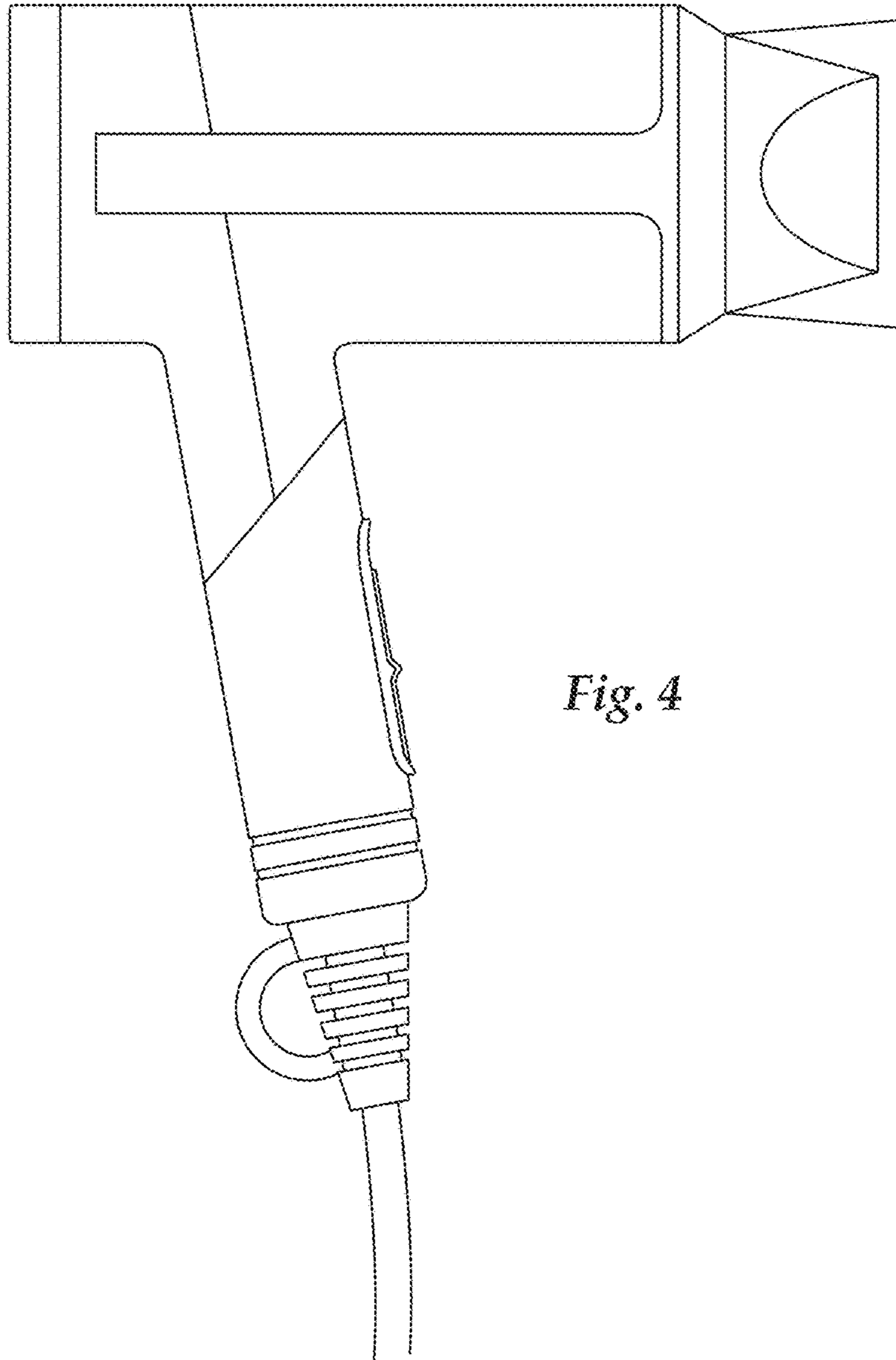


Fig. 4

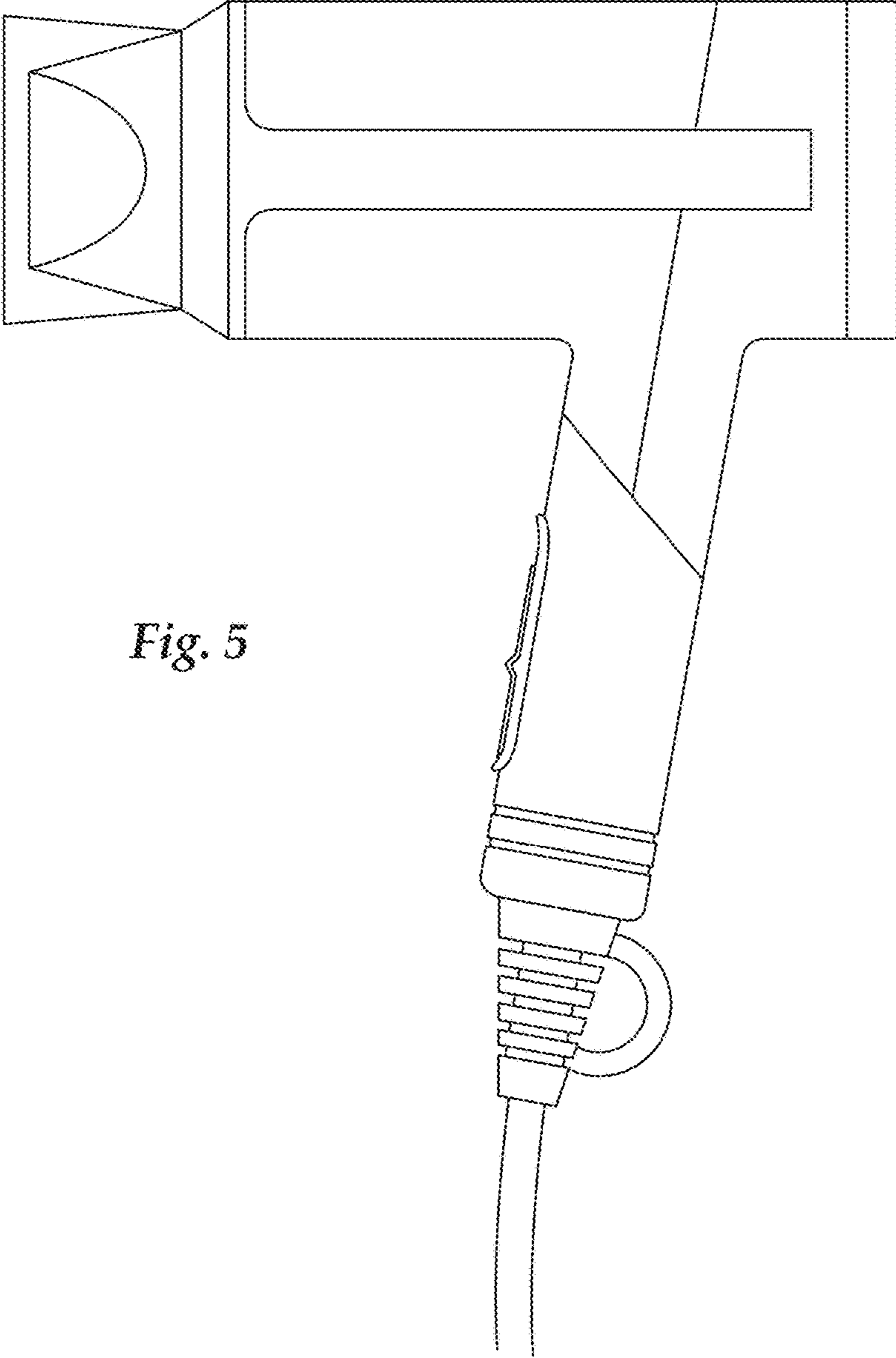


Fig. 5

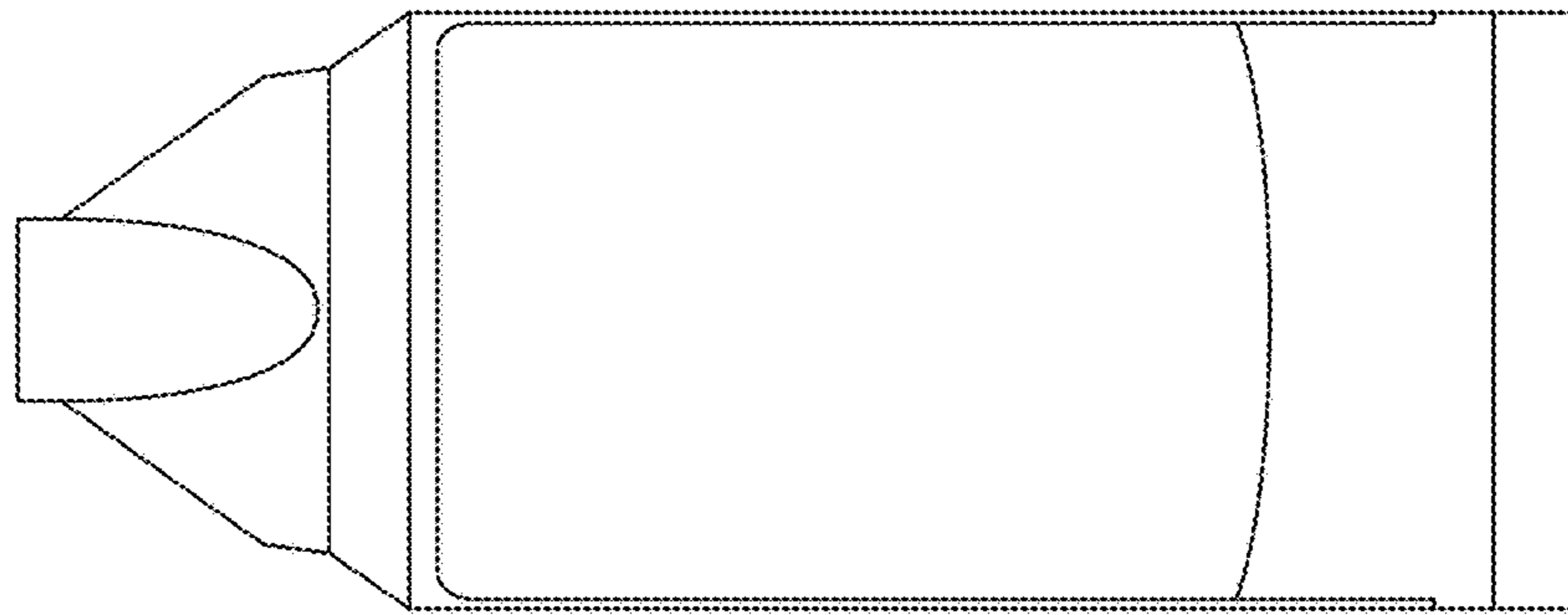


Fig. 6

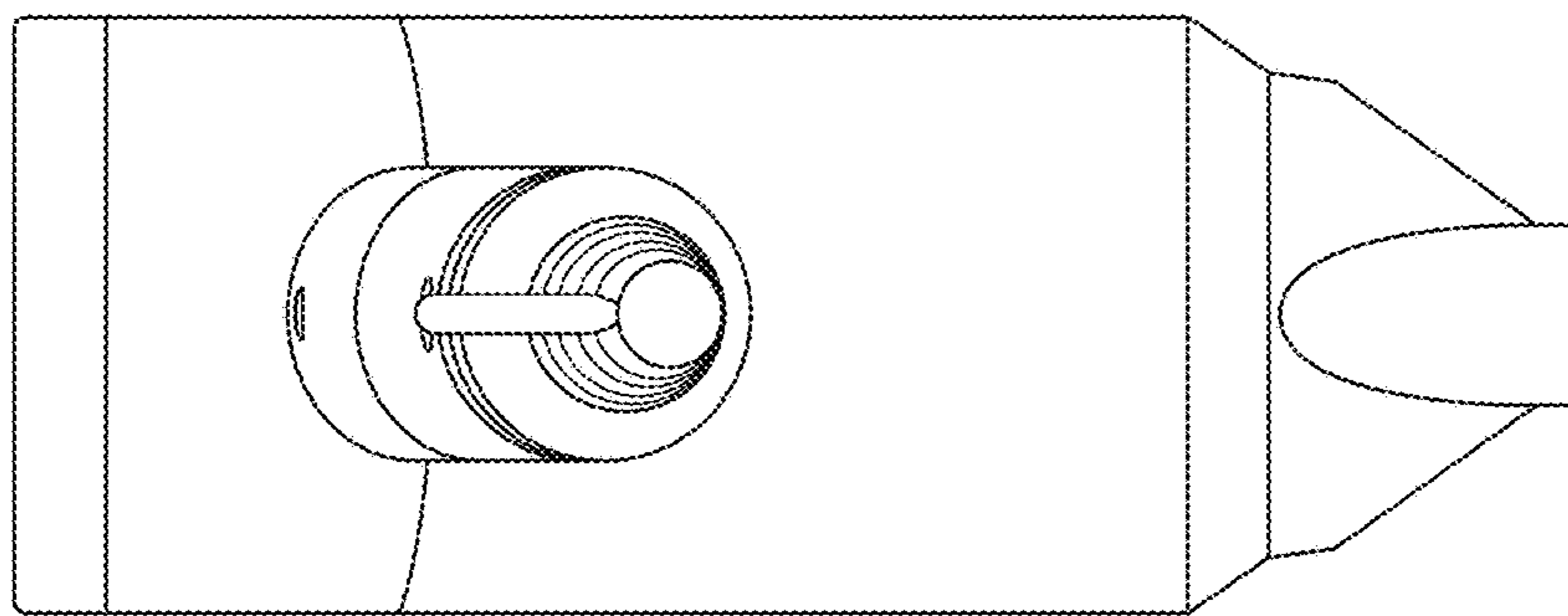


Fig. 7