



US00D861245S

(12) **United States Design Patent** (10) **Patent No.:** **US D861,245 S**
Silva et al. (45) **Date of Patent:** **** Sep. 24, 2019**

(54) **COSMETIC TOOL WITH ROLLING APPLICATOR**

(71) Applicant: **Rea.deeming Beauty, Inc.**, Bethlehem, PA (US)

(72) Inventors: **Rea Ann Silva**, Bethlehem, PA (US);
Brittany Blass, Venice, CA (US)

(73) Assignee: **REA.DEEMING BEAUTY, INC.**, Bethlehem, PA (US)

(**) Term: **15 Years**

(21) Appl. No.: **29/686,144**

(22) Filed: **Apr. 2, 2019**

Related U.S. Application Data

(63) Continuation of application No. 16/370,053, filed on Mar. 29, 2019.

(51) **LOC (12) Cl.** **28-03**

(52) **U.S. Cl.**
USPC **D28/7**

(58) **Field of Classification Search**
USPC D28/7, 8, 99; D4/132–138
CPC A45D 40/00; A45D 40/26; A45D 40/261;
A45D 40/262; A45D 40/264; A45D
40/28; A45D 2200/10; A45D 2200/1018;
A45D 2200/1036; A45D 2200/109
See application file for complete search history.

(56) **References Cited**

U.S. PATENT DOCUMENTS

212,904 A	3/1879	Davids
693,064 A	2/1902	Proben et al.
1,635,744 A	7/1927	William
1,748,762 A	2/1930	Gilbert
1,872,832 A	8/1932	Simon
1,911,027 A	5/1933	Georgia

D105,722 S	8/1937	Widmann
2,515,254 A	7/1950	Nosker
2,515,524 A	7/1950	Manzel
D211,549 S	6/1968	Christopher
D214,608 S	7/1969	Howell
4,205,664 A	6/1980	Baccialon
D270,669 S	9/1983	Cassai et al.
D279,126 S	6/1985	Kaeser
4,550,718 A	11/1985	Kaeser
D282,974 S	3/1986	Cassai et al.
D300,956 S	5/1989	Cassai et al.
D315,408 S	3/1991	Duk
5,176,754 A	1/1993	Hirzel

(Continued)

Primary Examiner — Zenia I Bennett

(74) *Attorney, Agent, or Firm* — Pejman Yedidsion;
Brooks Acordia IP Law, PC

(57) **CLAIM**

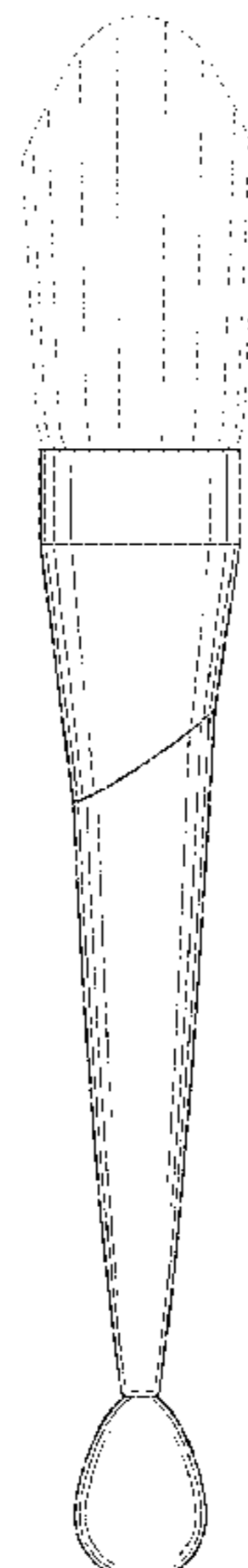
The ornamental design for a cosmetic tool with rolling applicator, as shown and described.

DESCRIPTION

FIG. 1 is a right side elevational view of a cosmetic tool with rolling applicator showing the new design;
FIG. 2 is a left side elevational view of the embodiment illustrated in FIG. 1;
FIG. 3 is a front elevational view of the embodiment illustrated in FIG. 1;
FIG. 4 is a rear elevational view of the embodiment illustrated in FIG. 1; and,
FIG. 5 is top plan view of the embodiment illustrated in FIG. 1.

Surface shading is used to shade FIGS. 1-5 to show clearly the character and contour of all surfaces of the 3-dimensional aspects of the design and form a part of the design sought to be protected. The broken lines are for illustrative purposes only and form no part of the claimed design. The design shown is not to be limited to any particular size and may be scaled larger or smaller.

1 Claim, 3 Drawing Sheets



(56)

References Cited

U.S. PATENT DOCUMENTS

D349,771 S	8/1994	Heiligenstein et al.			
D351,658 S	10/1994	Beckman			
D358,655 S	5/1995	Ivy			
5,816,270 A	10/1998	Nadel			
6,245,037 B1	6/2001	Reum et al.			
D445,508 S	7/2001	Gladieux, I et al.			
6,484,341 B2 *	11/2002	Hefti	A21C 3/021		
			492/13		
6,782,894 B2 *	8/2004	Shum	A45D 29/18		
			132/200		
6,811,340 B2	11/2004	Petit			
D556,335 S	11/2007	Hagege			
D623,310 S	9/2010	Cheng			
7,955,016 B2	6/2011	Gueret			
D649,656 S	11/2011	Petersen			
D662,601 S	6/2012	Matsushita			
D666,304 S	8/2012	Matsushita			
D669,590 S	10/2012	Matsushita			
D674,109 S	1/2013	Sedic			
D677,392 S	3/2013	Bickford			
D708,754 S	7/2014	Harangvolgyi			
8,844,543 B2	9/2014	Bickford et al.			
D716,466 S	10/2014	Kanbar et al.			
8,894,311 B2	11/2014	Gueret			
D740,433 S	10/2015	Zhu et al.			
9,538,826 B2	1/2017	Pires et al.			
9,578,949 B2	2/2017	Villarreal et al.			
9,642,440 B2	5/2017	Thorpe et al.			
9,827,589 B2	11/2017	Daviot et al.			
D805,211 S	12/2017	Wu			
9,936,790 B2	4/2018	Pires et al.			
D824,177 S *	7/2018	Salm		D4/138	
D835,419 S *	12/2018	Lim		D4/135	
2008/0004553 A1	1/2008	Tsai			
2008/0091128 A1	4/2008	Nan			
2009/0270772 A1	10/2009	Kurosu			
2009/0270779 A1	10/2009	Kurosu			
2011/0125067 A1	5/2011	Filho			
2012/0201593 A1	8/2012	Priore			
2012/0312315 A1	12/2012	Gueret			
2013/0056016 A1	3/2013	Guay et al.			
2014/0288473 A1	9/2014	Matsushita			
2014/0331422 A1	11/2014	Lim			
2015/0026902 A1	1/2015	Berglund			
2015/0374409 A1	12/2015	Chopdat et al.			
2017/0127794 A1	5/2017	Villarreal et al.			
2018/0042362 A1	2/2018	Berhault et al.			
2018/0055195 A1	3/2018	Quema			
2018/0070701 A1	3/2018	Evain et al.			
2018/0116903 A1	5/2018	Matsushita			

* cited by examiner

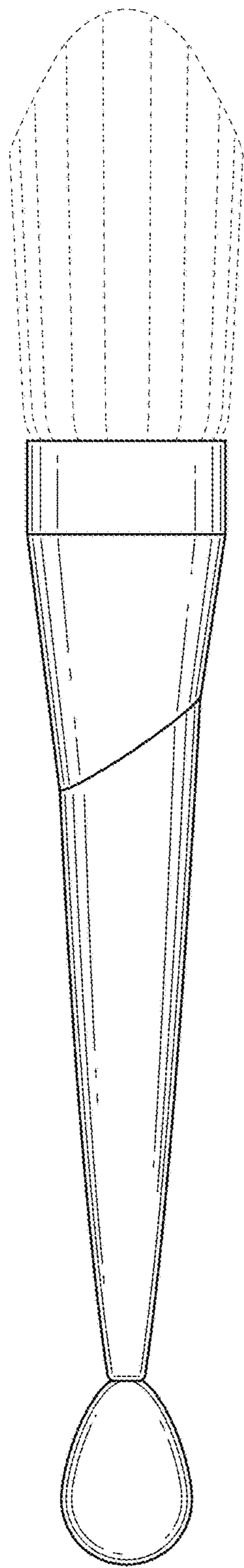


FIG. 1

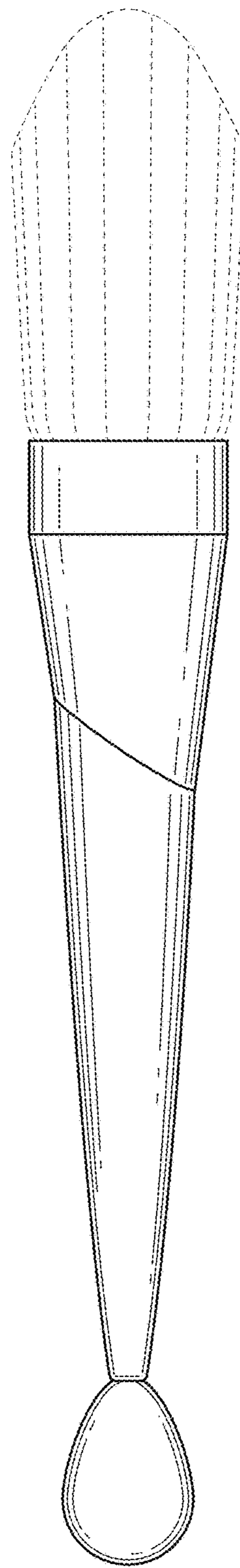


FIG. 2

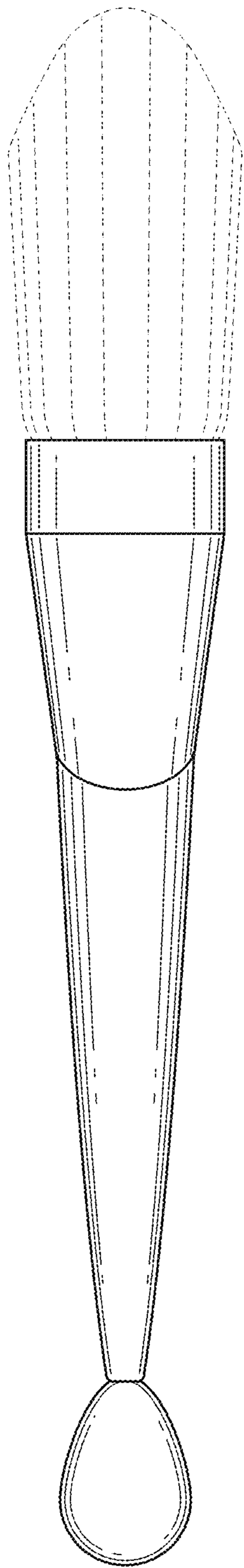


FIG. 3

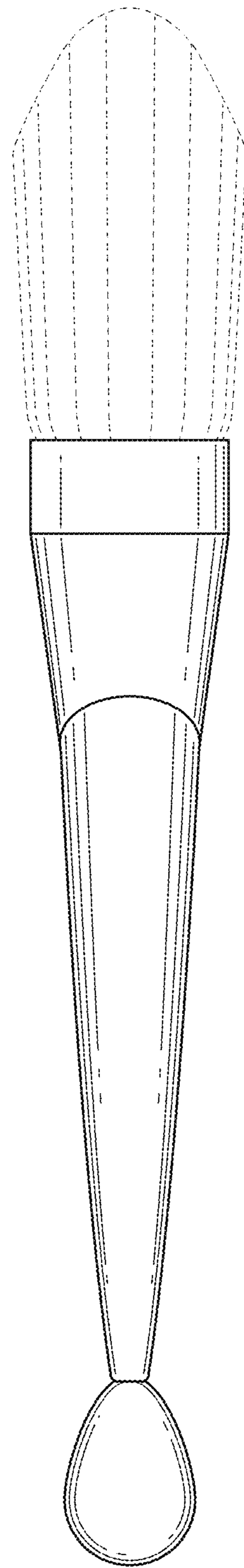


FIG. 4

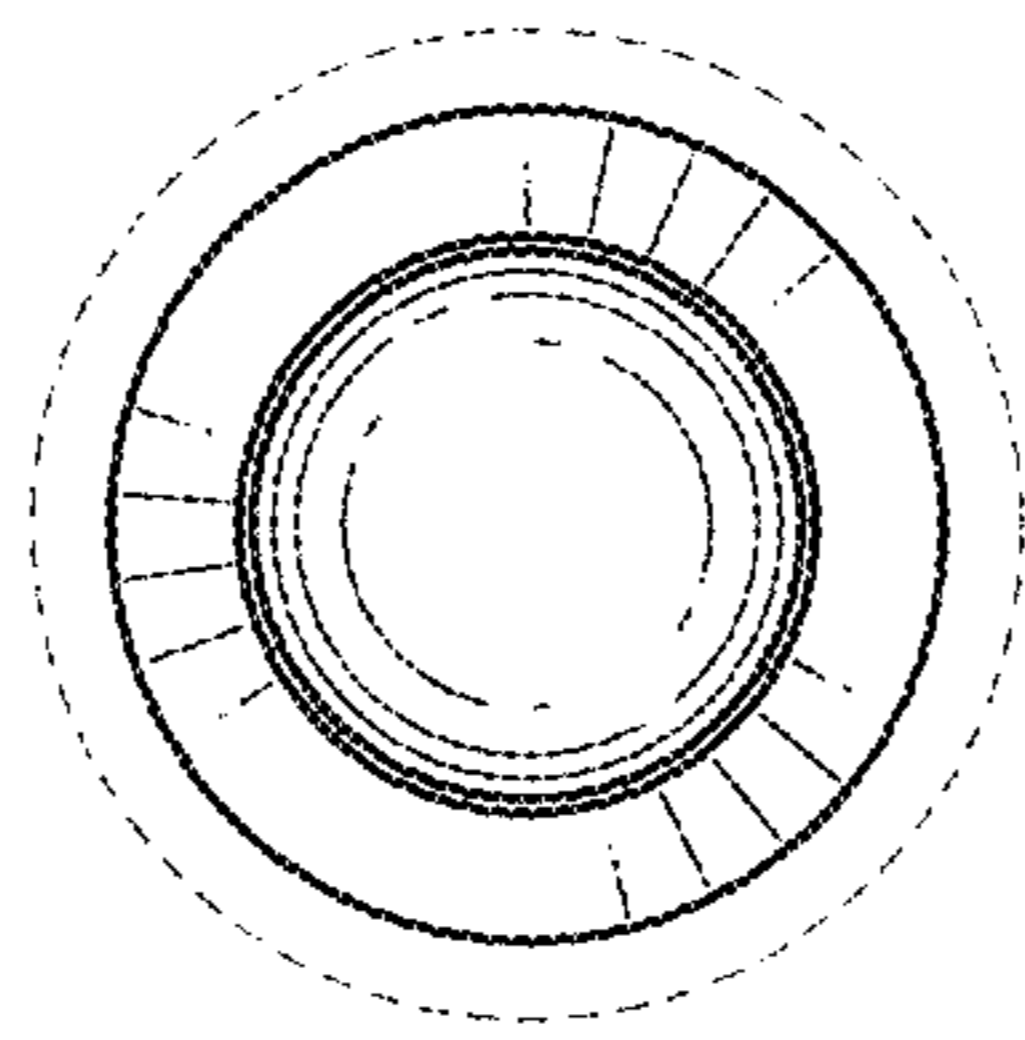


FIG. 5