

US00D861239S

(12) **United States Design Patent** (10) **Patent No.:** **US D861,239 S**  
**Chen** (45) **Date of Patent:** **\*\* Sep. 24, 2019**

(54) **ELECTRONIC CIGARETTE**  
(71) Applicant: **Shenzhen Smoore Technology Limited**, Shenzhen, Guangdong (CN)  
(72) Inventor: **Zhiping Chen**, Guangdong (CN)  
(73) Assignee: **SHENZHEN SMOORE TECHNOLOGY LIMITED**, Shenzhen (CN)  
(\*\*) Term: **15 Years**  
(21) Appl. No.: **29/630,425**  
(22) Filed: **Dec. 20, 2017**  
(51) **LOC (12) Cl.** ..... **27-01**  
(52) **U.S. Cl.**  
USPC ..... **D27/101**  
(58) **Field of Classification Search**  
USPC ..... D27/100, 101, 162, 163-194;  
D19/115-123, 161-169; D24/110;  
D23/366; D13/108

(Continued)

(56) **References Cited**

**U.S. PATENT DOCUMENTS**

D418,253 S \* 12/1999 Bakic ..... D28/7  
D461,204 S \* 8/2002 Klefbom ..... D19/167

(Continued)

**OTHER PUBLICATIONS**

New PHIX Vaping System by MyFreedomSmokes. dated Mar. 31, 2017. found online [Jan. 10, 2019] <https://www.youtube.com/watch?v=s6z-4evIW3c>.\*

(Continued)

*Primary Examiner* — Marissa J Cash

(74) *Attorney, Agent, or Firm* — Hemisphere Law, PLLC; Zhigang Ma

(57) **CLAIM**

The ornamental design for an electronic cigarette, as shown and described.

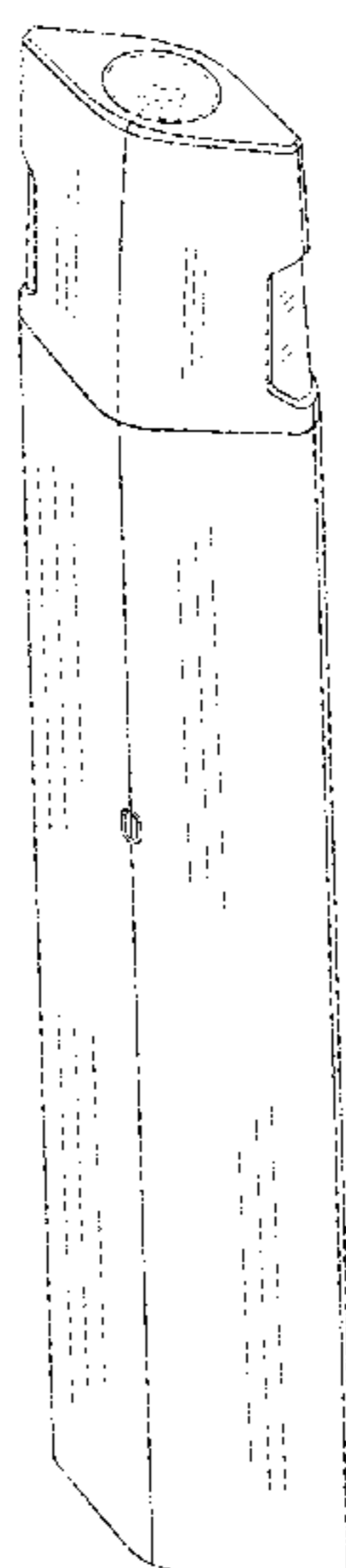
**DESCRIPTION**

FIG. 1 is a top perspective view of an electronic cigarette in an assembled status showing my new design; FIG. 2 is a bottom perspective view of FIG. 1; FIG. 3 is a front elevational view of FIG. 1; FIG. 4 is a rear elevational view of FIG. 1; FIG. 5 is a left side view of FIG. 1; FIG. 6 is a right side view of FIG. 1; FIG. 7 is a top plan view of FIG. 1; FIG. 8 is a bottom plan view of FIG. 1; FIG. 9 is a top perspective view of a first component of the electronic cigarette shown separately for ease of illustration; FIG. 10 is a bottom perspective view of FIG. 9; FIG. 11 is a front elevational view of FIG. 9; FIG. 12 is a rear elevational view of FIG. 9; FIG. 13 is a left side view of FIG. 9; FIG. 14 is a right side view of FIG. 9; FIG. 15 is a top plan view of FIG. 9; FIG. 16 is a bottom plan view of FIG. 9; FIG. 17 is a top perspective view of a second component of the electronic cigarette shown separately for ease of illustration; FIG. 18 is a bottom perspective view of FIG. 17; FIG. 19 is a front elevational view of FIG. 17; FIG. 20 is a rear elevational view of FIG. 17; FIG. 21 is a left side view of FIG. 17; FIG. 22 is a right side view of FIG. 17; FIG. 23 is a top plan view of FIG. 17; and, FIG. 24 is a bottom plan view of FIG. 17.

The broken lines in the drawings illustrate portions of the electronic cigarette which form no part of the claimed design.

The diagonal lines indicate transparency.

**1 Claim, 24 Drawing Sheets**



(58) **Field of Classification Search**

CPC ..... A24F 47/008; A24F 47/002; A24F 7/02;  
A61M 15/06

See application file for complete search history.

(56) **References Cited**

U.S. PATENT DOCUMENTS

D667,878	S	*	9/2012	Xie	.....	D19/163
D695,825	S	*	12/2013	Jiang	.....	D19/163
D732,733	S	*	6/2015	Spagnolo	.....	D27/101
D772,477	S	*	11/2016	Shin	.....	D27/163
D779,719	S	*	2/2017	Qiu	.....	D27/101
D813,447	S	*	3/2018	Watson	.....	D27/162
D815,341	S	*	4/2018	Qiu	.....	D27/101
D818,636	S	*	5/2018	Qiu	.....	D27/101
D818,638	S	*	5/2018	Wright	.....	D27/170
D819,881	S	*	6/2018	Qiu	.....	D27/101
D824,096	S	*	7/2018	Qiu	.....	D27/167
D825,102	S	*	8/2018	Bowen	.....	D27/167
D829,371	S	*	9/2018	Durand	.....	D27/101
D829,980	S	*	10/2018	Qiu	.....	D27/162
D834,246	S	*	11/2018	Qiu	.....	D27/162
D836,831	S	*	12/2018	Cividi	.....	D27/162
D837,446	S	*	1/2019	Durand	.....	D27/101

OTHER PUBLICATIONS

PHIX by MLV . by AVAndy. dated Mar. 1, 2017. found online [Jan. 10, 2019] <https://www.youtube.com/watch?v=L5GSaz9hyto>.\*

\* cited by examiner

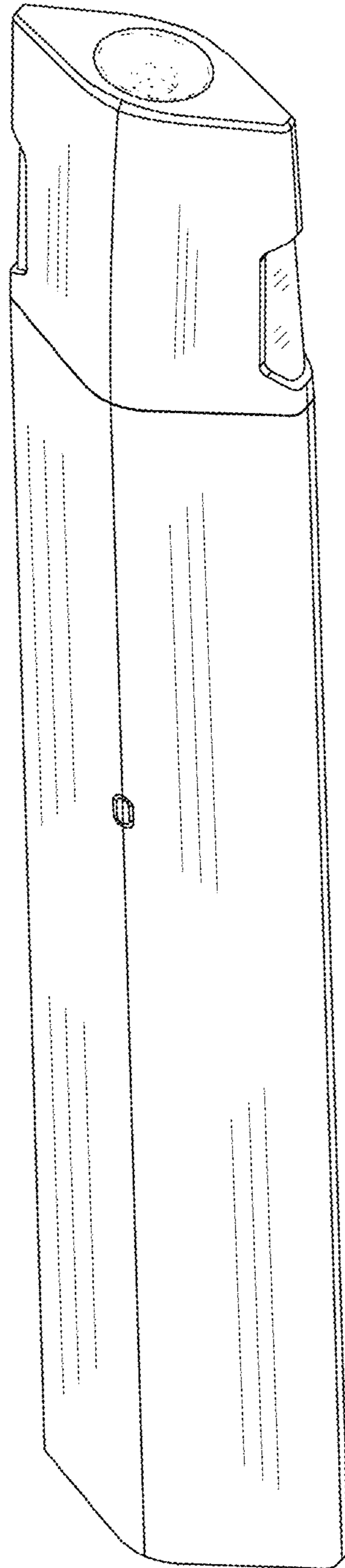


FIG.1

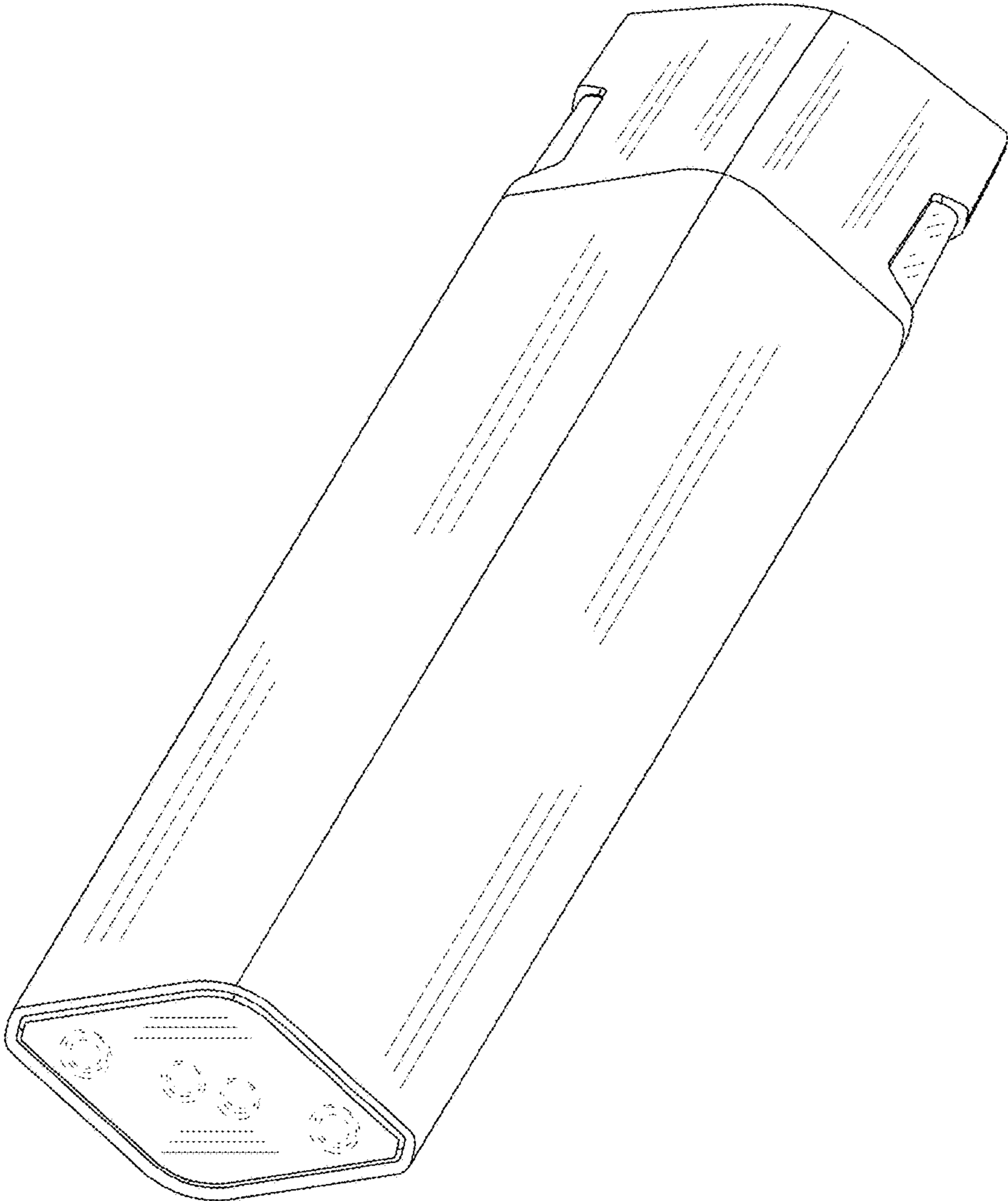


FIG.2

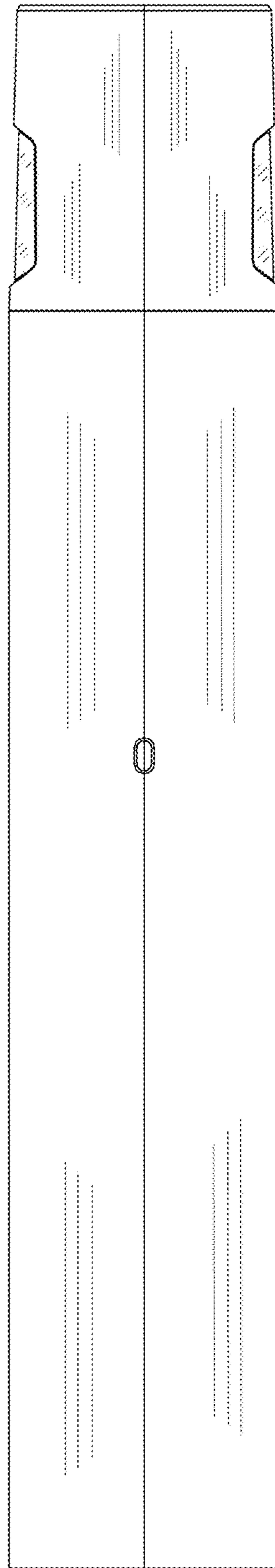


FIG.3

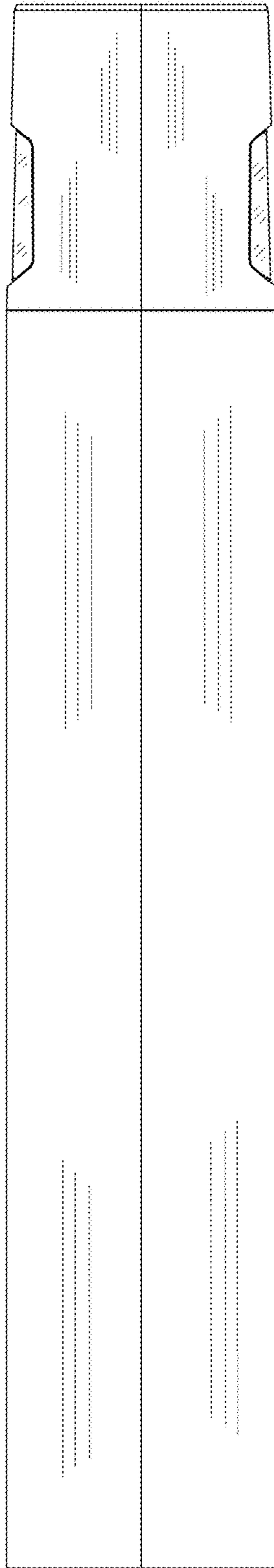


FIG.4

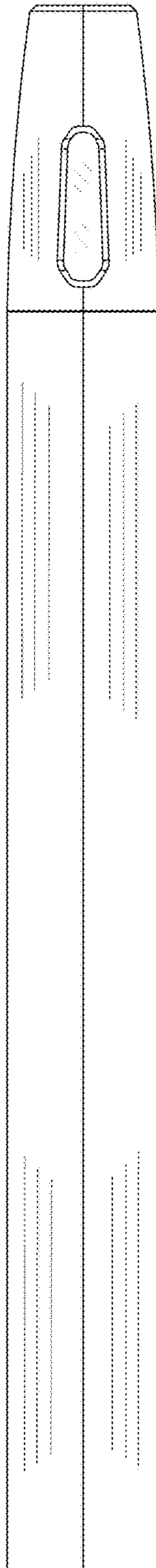


FIG.5

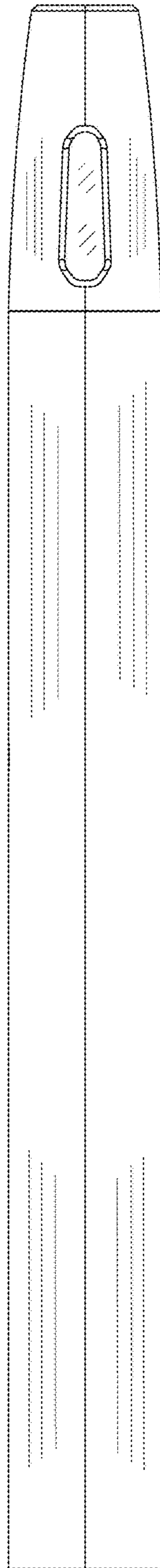


FIG.6



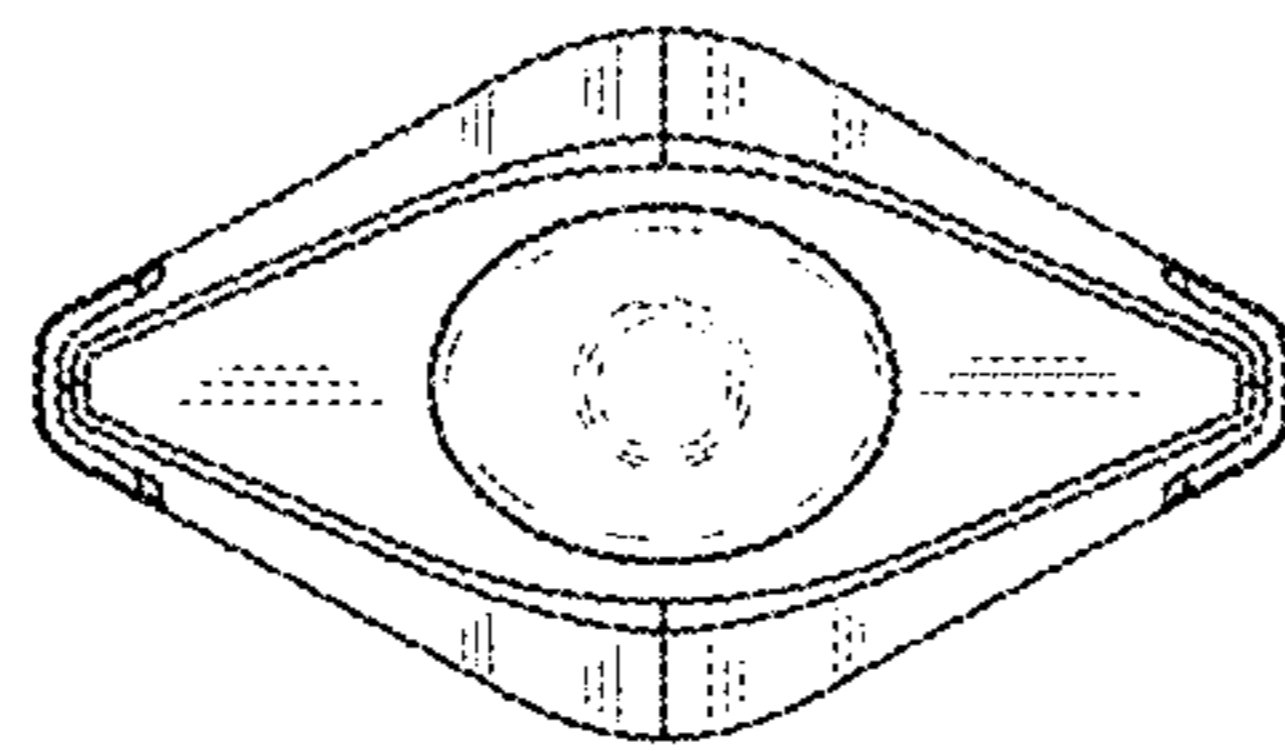


FIG.7

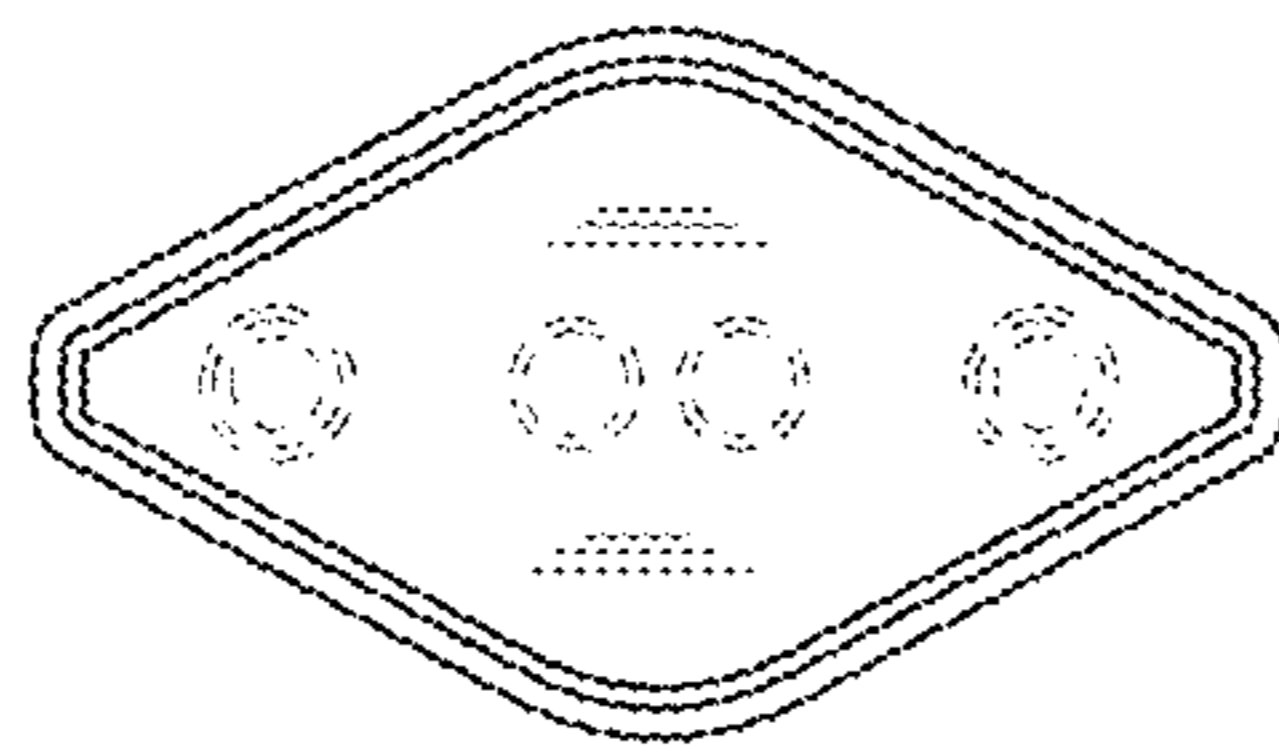


FIG. 8

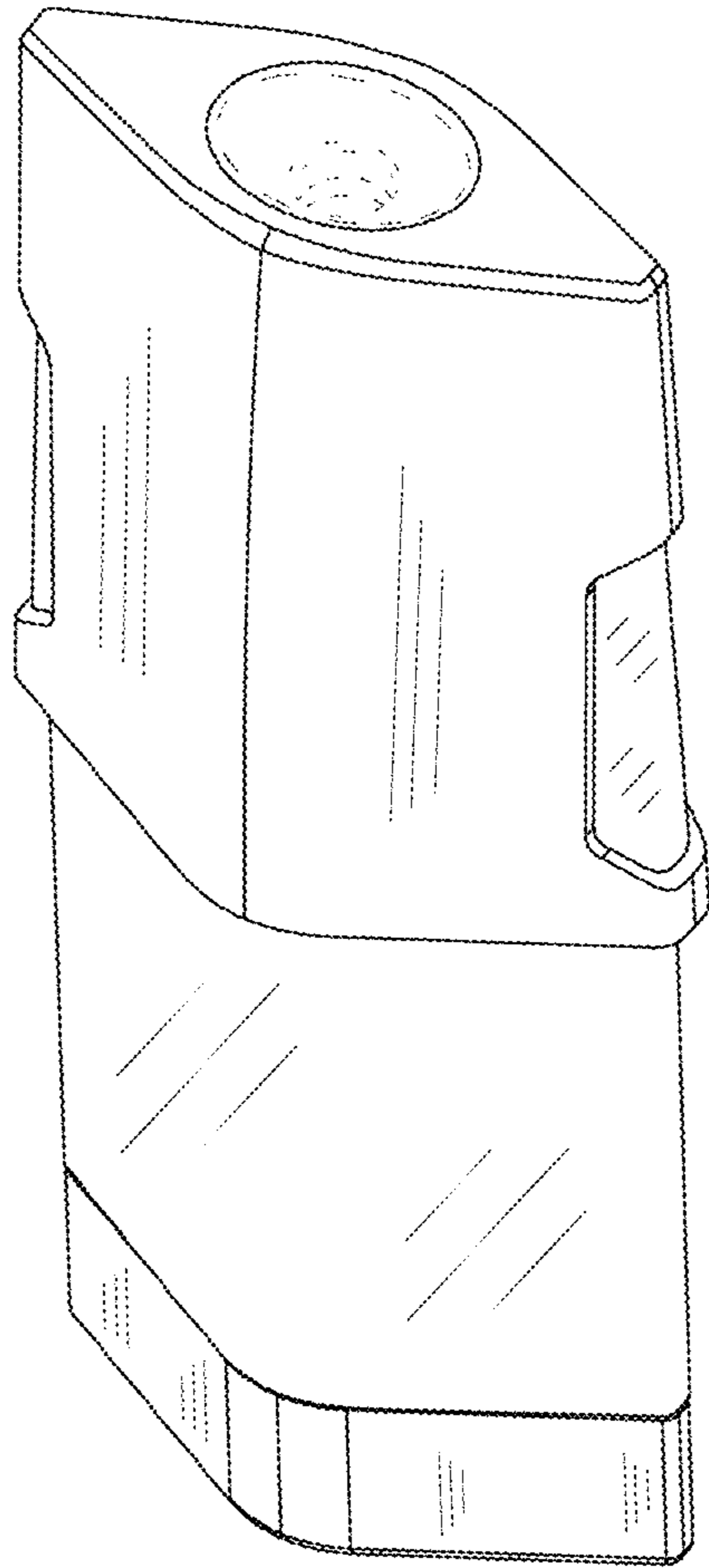


FIG.9

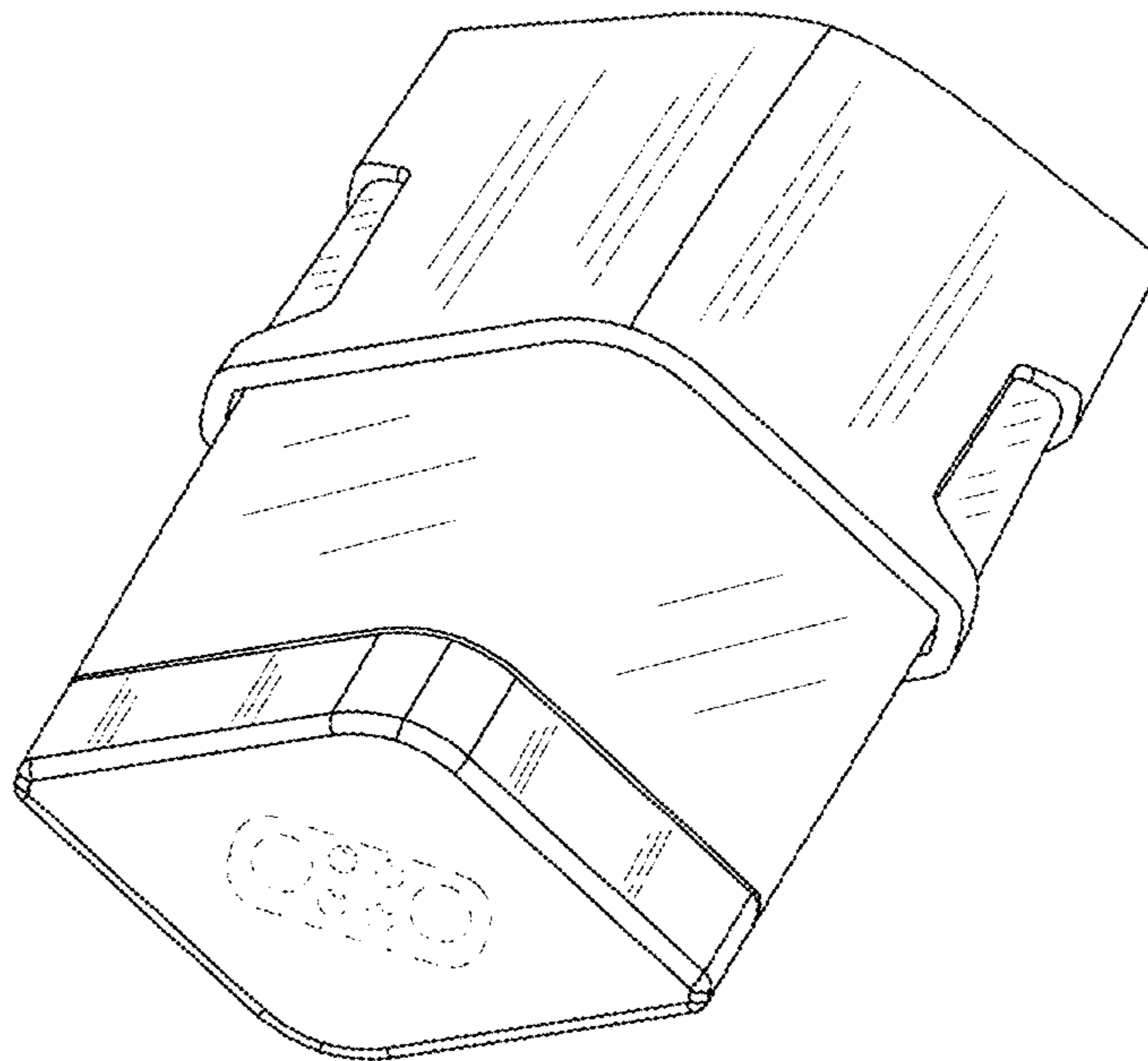


FIG.10

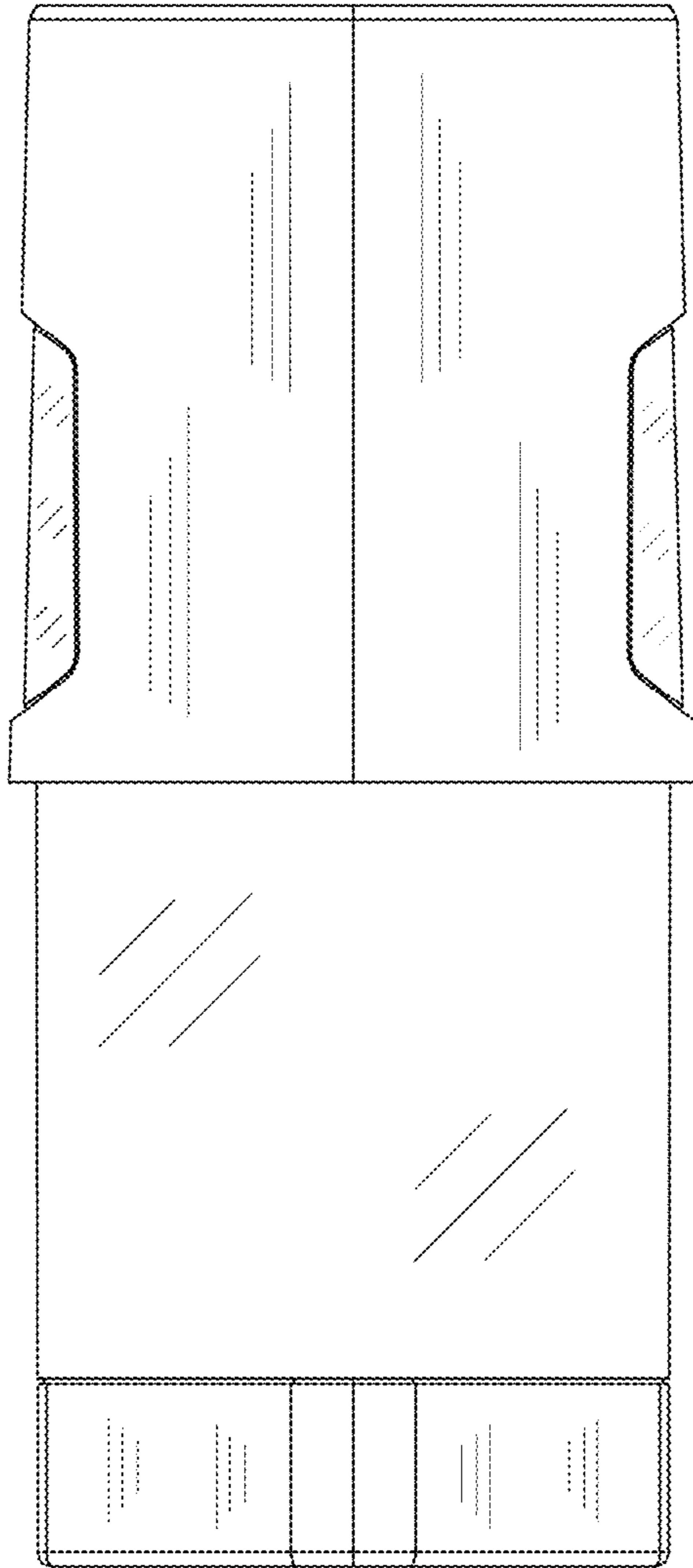


FIG.11

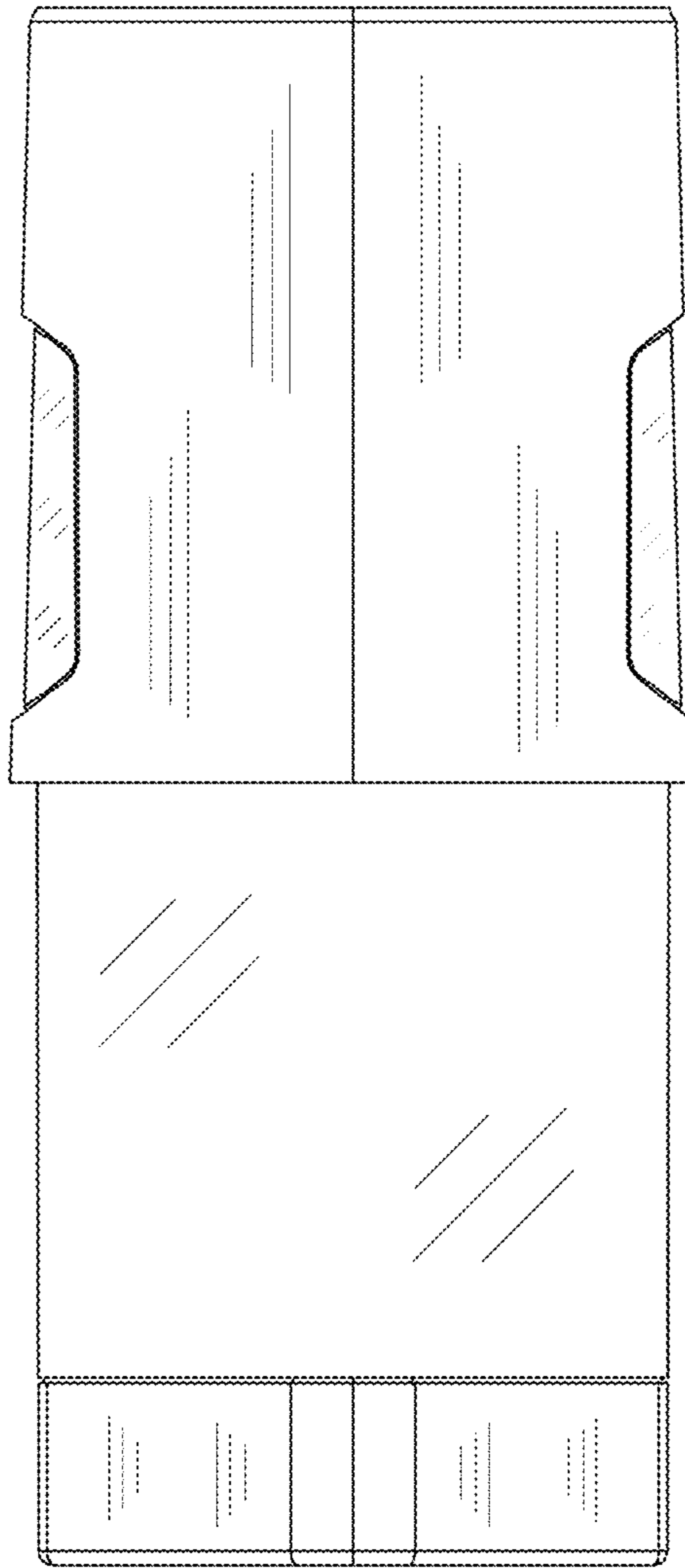


FIG.12

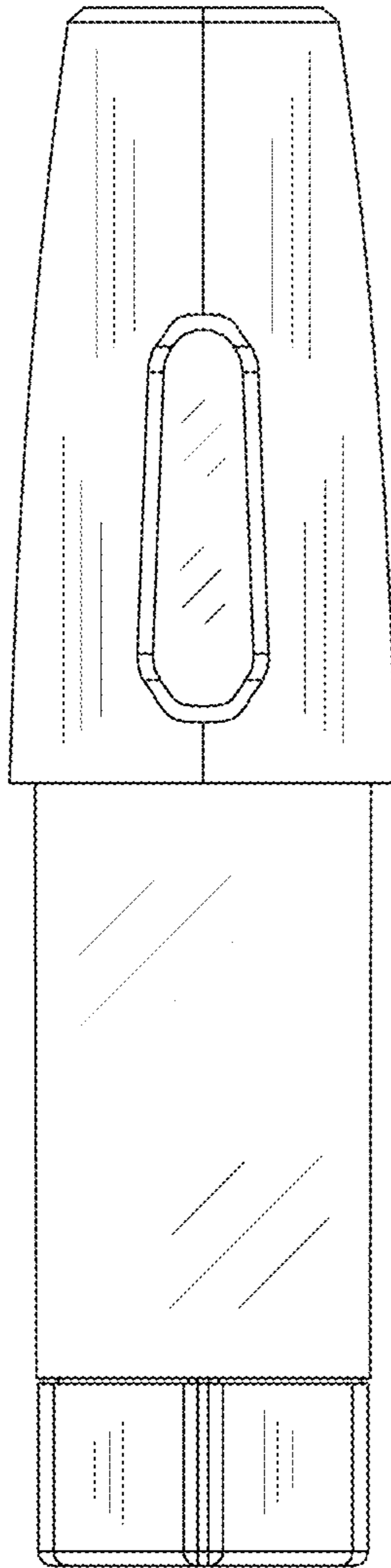


FIG.13

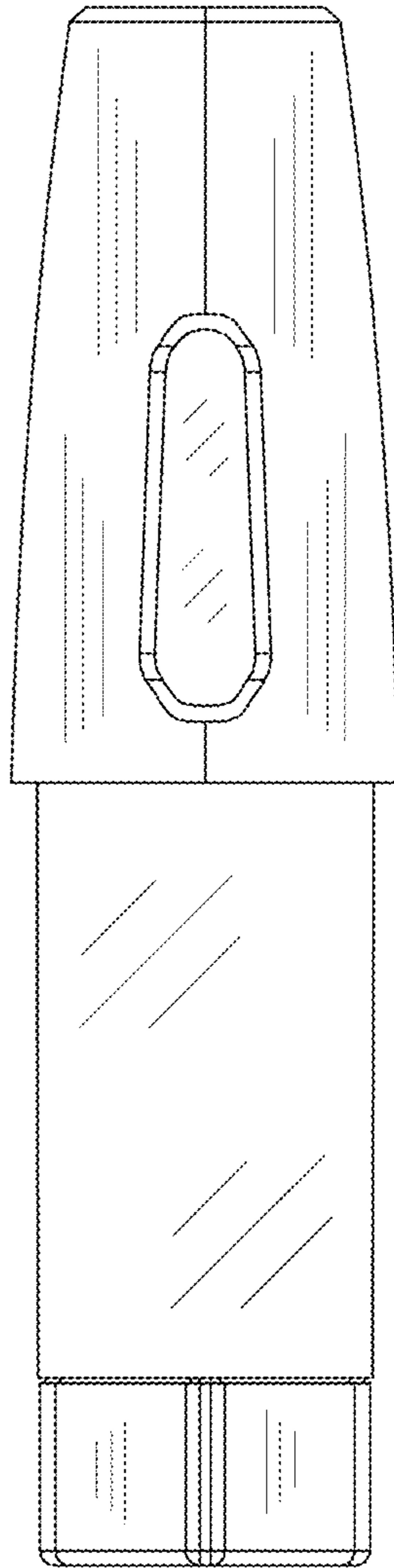


FIG.14



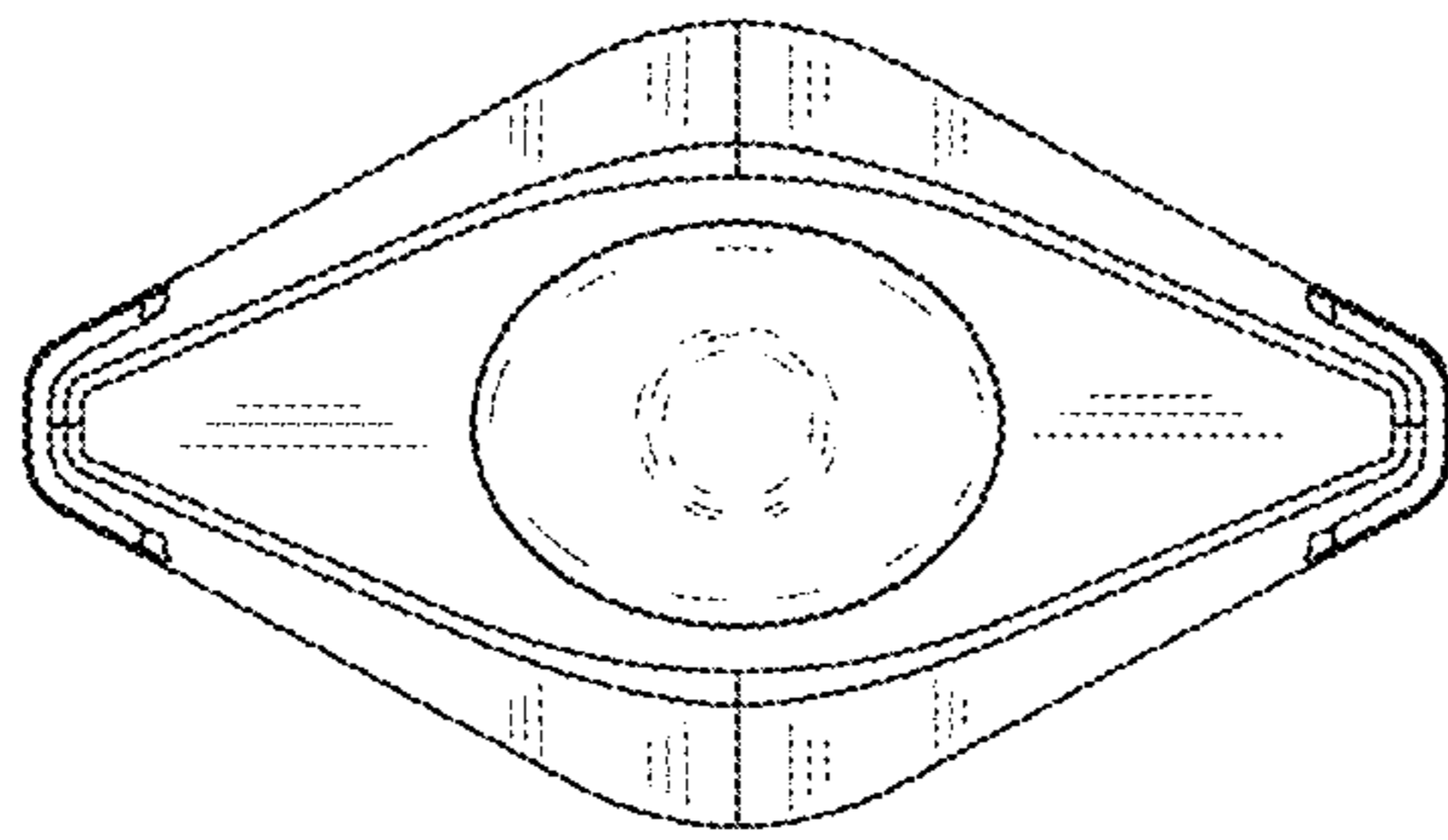


FIG.15

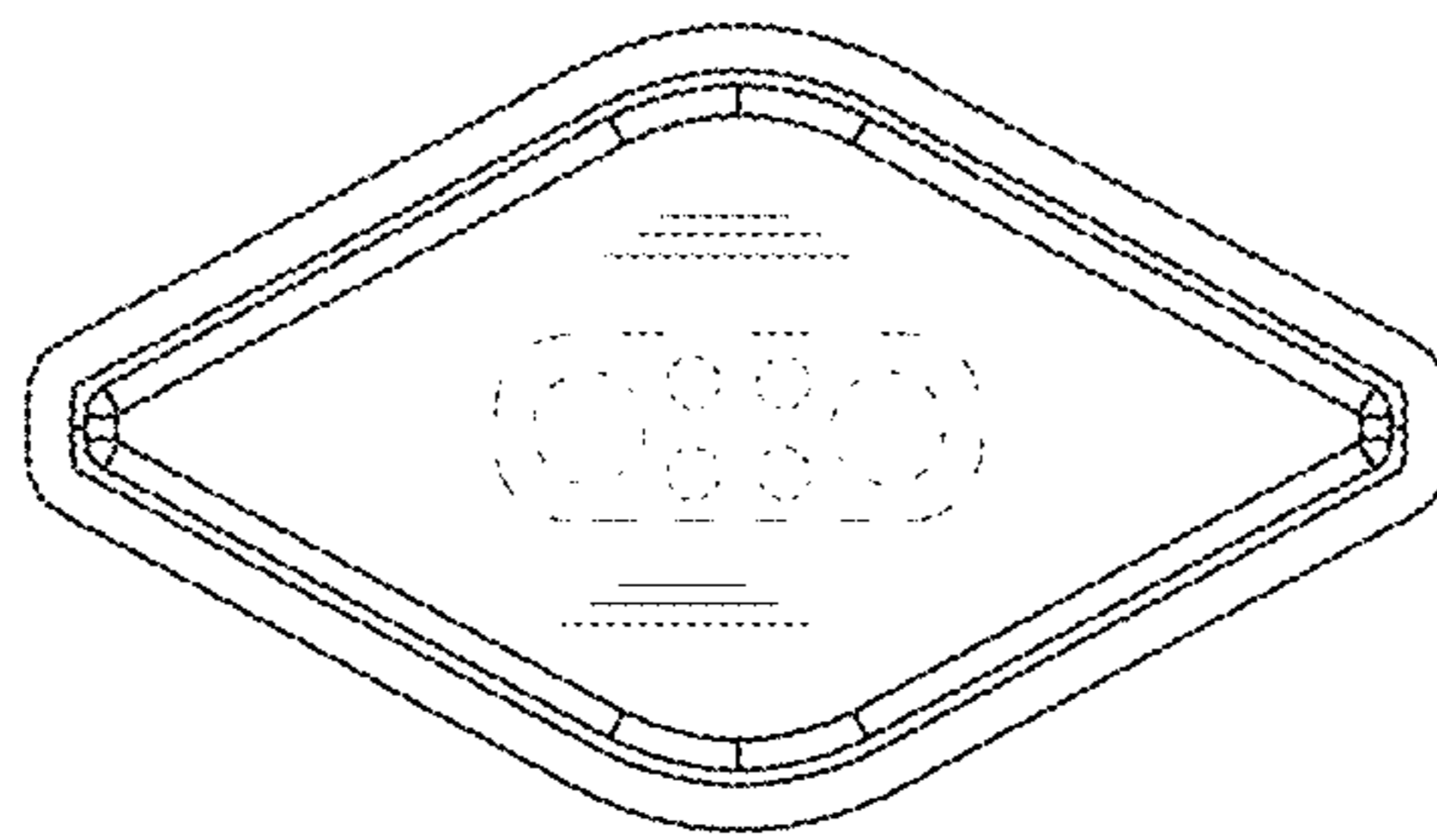


FIG.16

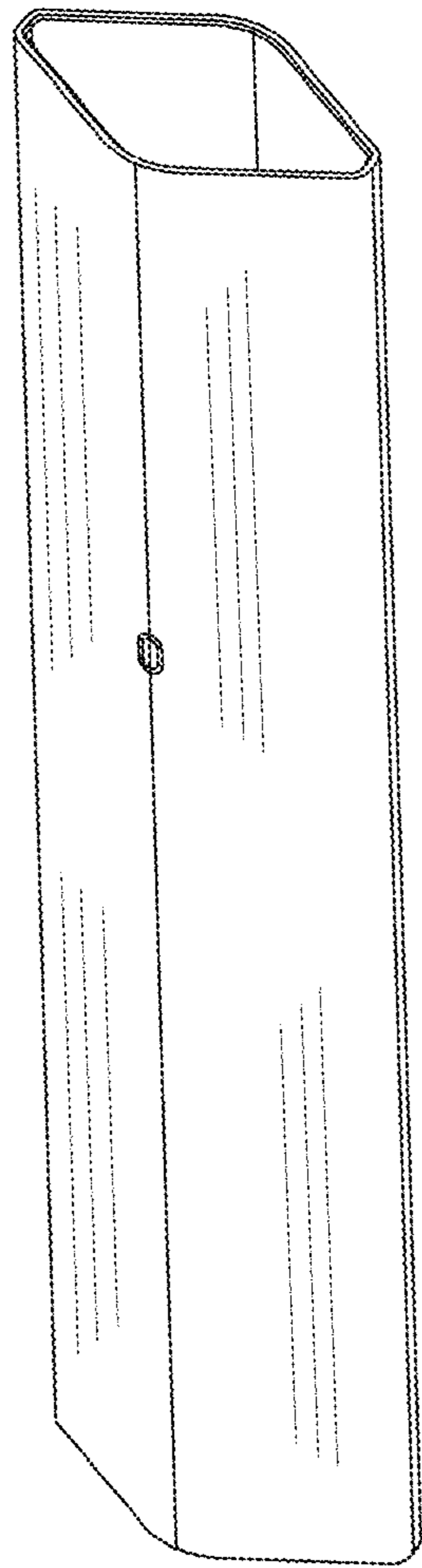


FIG.17

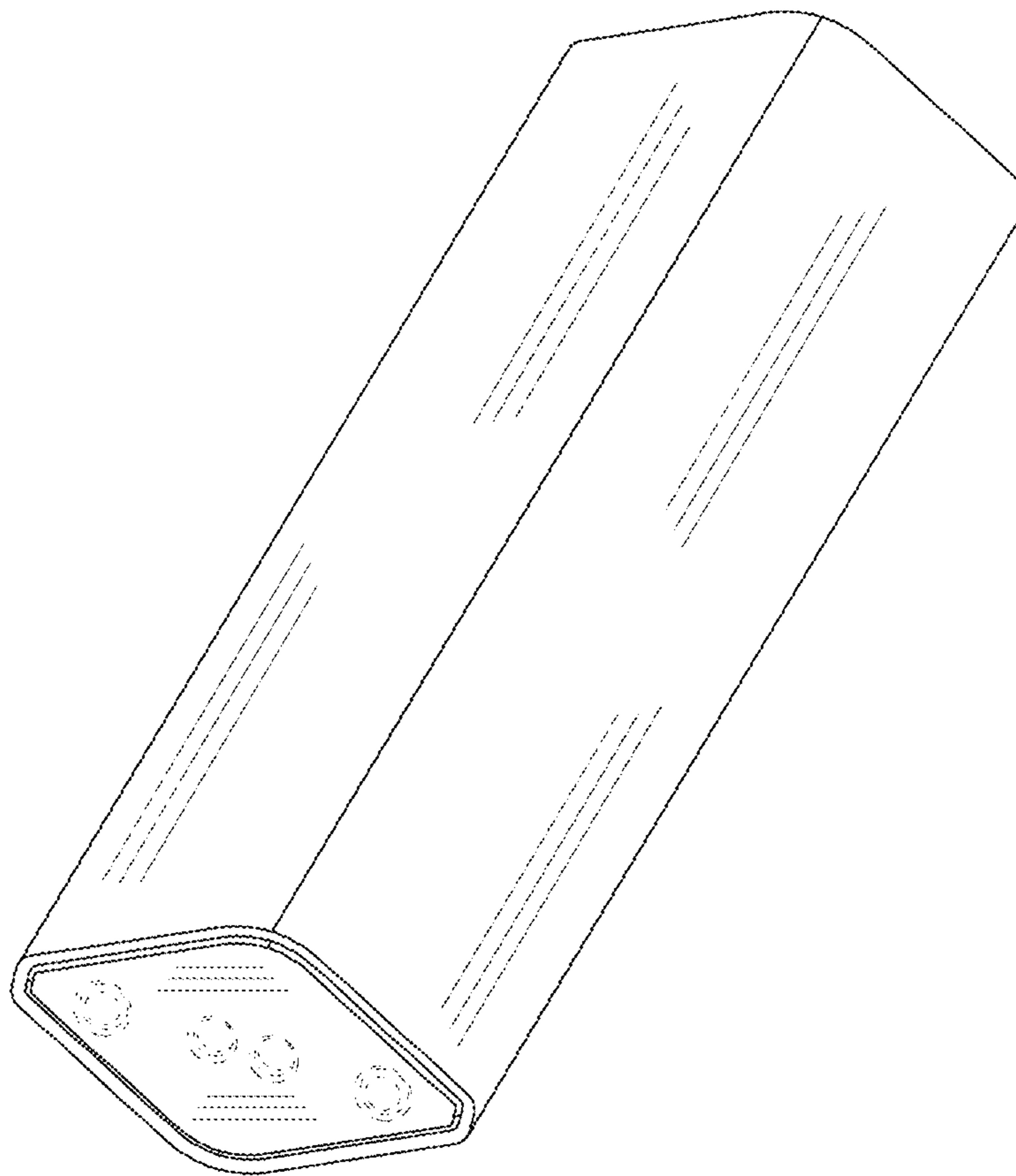


FIG.18

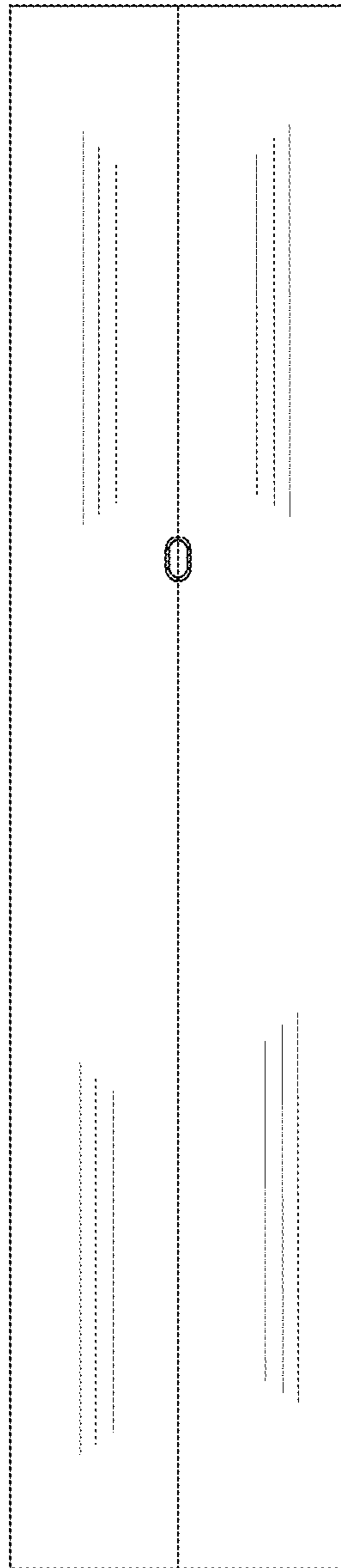


FIG. 19

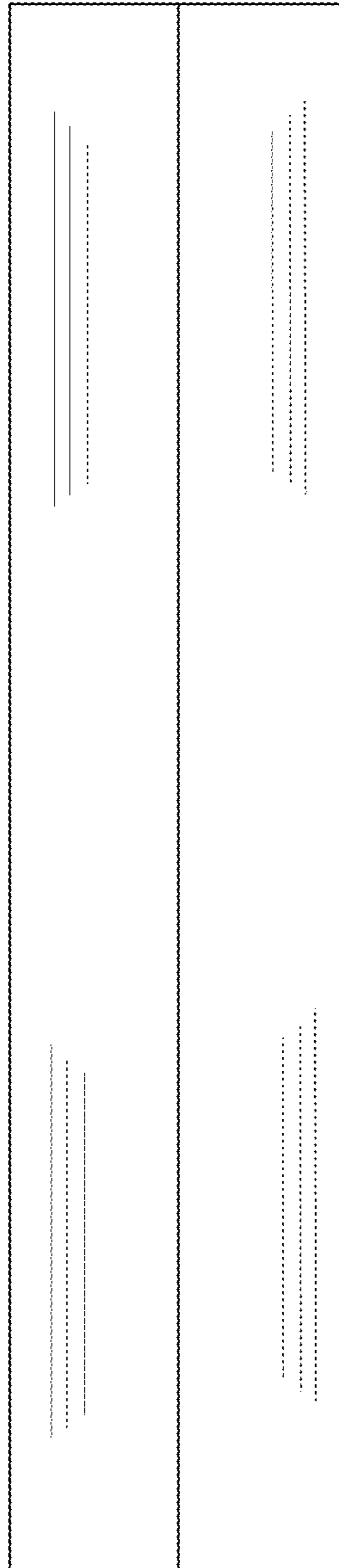


FIG.20

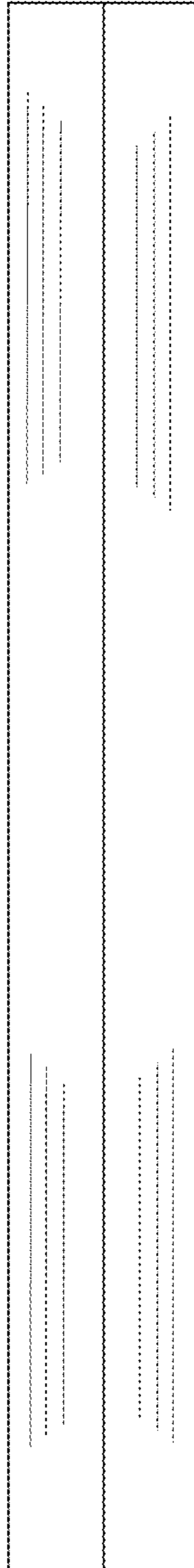


FIG.21

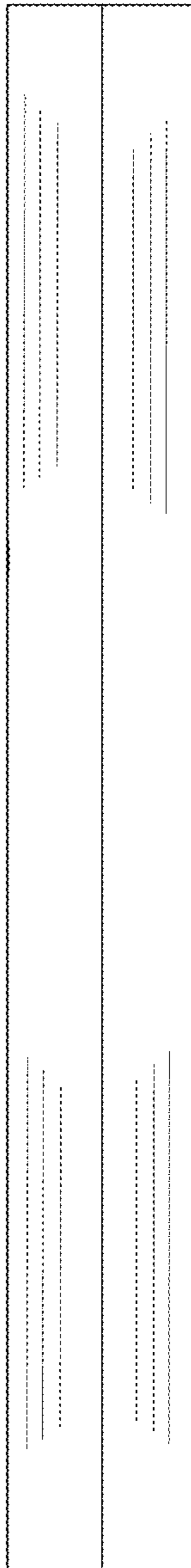


FIG.22



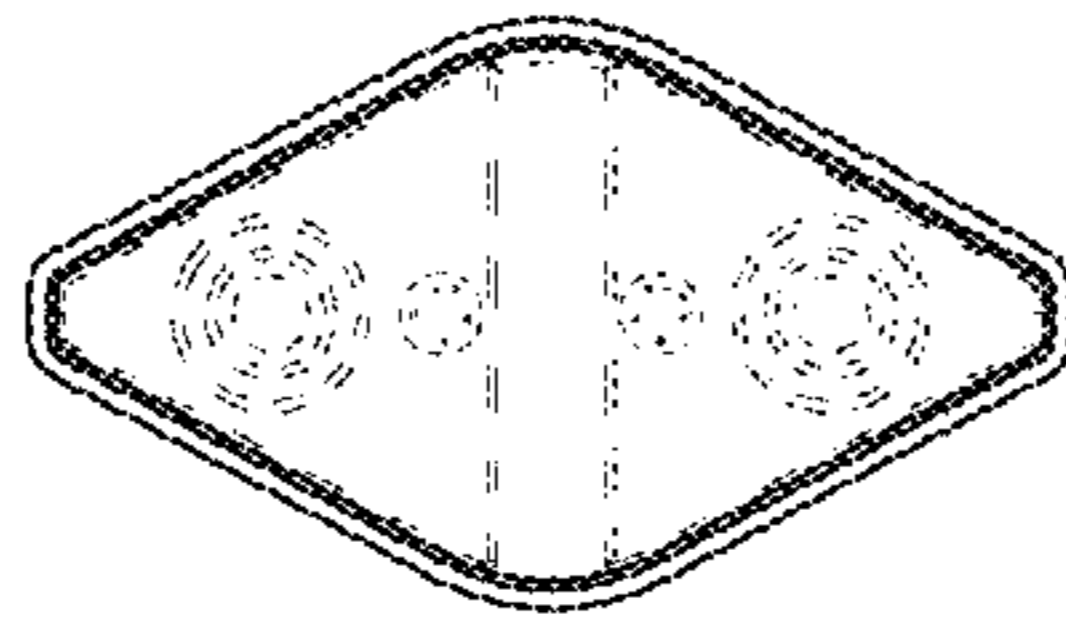


FIG.23

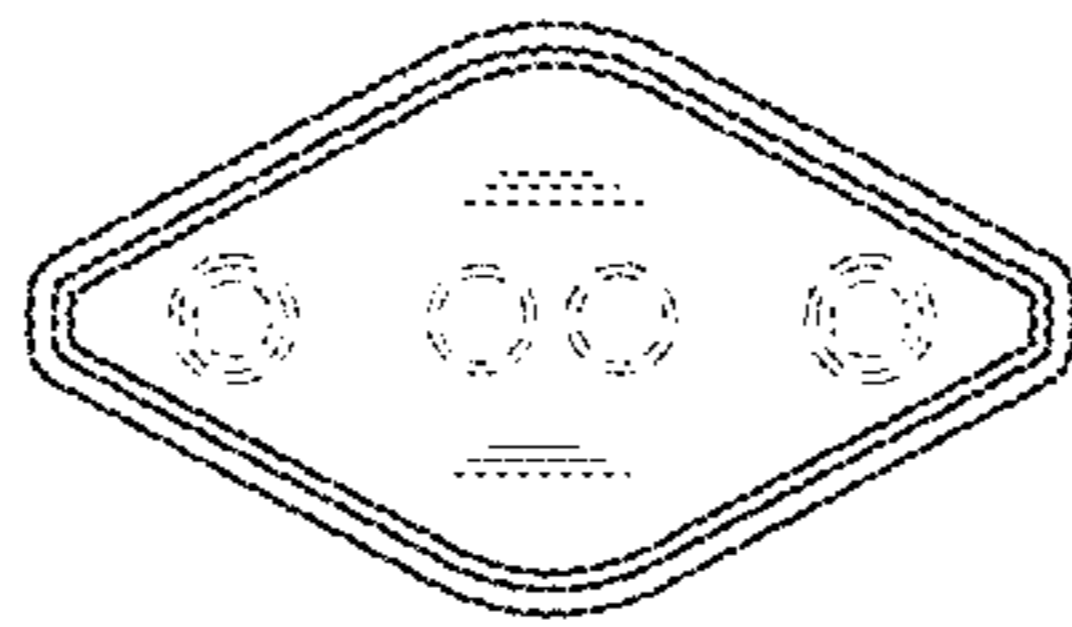


FIG.24