



US00D861237S

(12) **United States Design Patent** (10) **Patent No.:** **US D861,237 S**
Héroux et al. (45) **Date of Patent:** **** Sep. 24, 2019**

(54) **HEADLAMP BEZEL FOR VEHICLE**

D595,895 S * 7/2009 Lamm D26/139
D604,893 S * 11/2009 Woolley D26/139
D776,839 S 1/2017 Trépanier et al.

(71) Applicant: **Volvo Group Canada Inc.,**
Sainte-Claire (CA)

(72) Inventors: **Christian Héroux**, Saint-Constant
(CA); **François Trépanier**, Québec City
(CA); **Luc Bourgeois**, Laval (CA)

(73) Assignee: **Volvo Group Canada Inc.,**
Sainte-Claire Quebec (CA)

(**) Term: **15 Years**

(21) Appl. No.: **29/654,779**

(22) Filed: **Jun. 27, 2018**

(51) **LOC (12) Cl.** **26-99**

(52) **U.S. Cl.**
USPC **D26/139**

(58) **Field of Classification Search**
USPC D26/28-36, 139
CPC F21S 48/00; F21S 48/10; F21S 48/115;
F21S 48/225; F21S 48/1233; F21S
48/1266; F21S 48/1388; F21S 48/2268;
F21V 21/04; F21V 29/004
See application file for complete search history.

(56) **References Cited**

U.S. PATENT DOCUMENTS

D421,817 S * 3/2000 Tucker D26/139
D571,500 S * 6/2008 Lin D26/139

OTHER PUBLICATIONS

Renderings of Prevost commercialize vehicle, H-Series H3-45 VIP and Coach, Disclosed at UMA Expo, Tampa, FL, 2011, 2 Pages.
Renderings of Prevost commercialize vehicle, X-Series X3-45 VIP Entertainer, VIP Motorhome, Commuter and Coach, Disclosed at UMA Expo, Atlanta, GA 2016, 4 Pages.
Volvo D13 SCR: Image of MTA New York City Bus 2014 Prevost x3-45 2490, posted to Flickr by Shane Ramkissoon on Apr. 11, 2014, 1 page.

* cited by examiner

Primary Examiner — Marcus A Jackson

(74) *Attorney, Agent, or Firm* — Tucker Ellis LLP

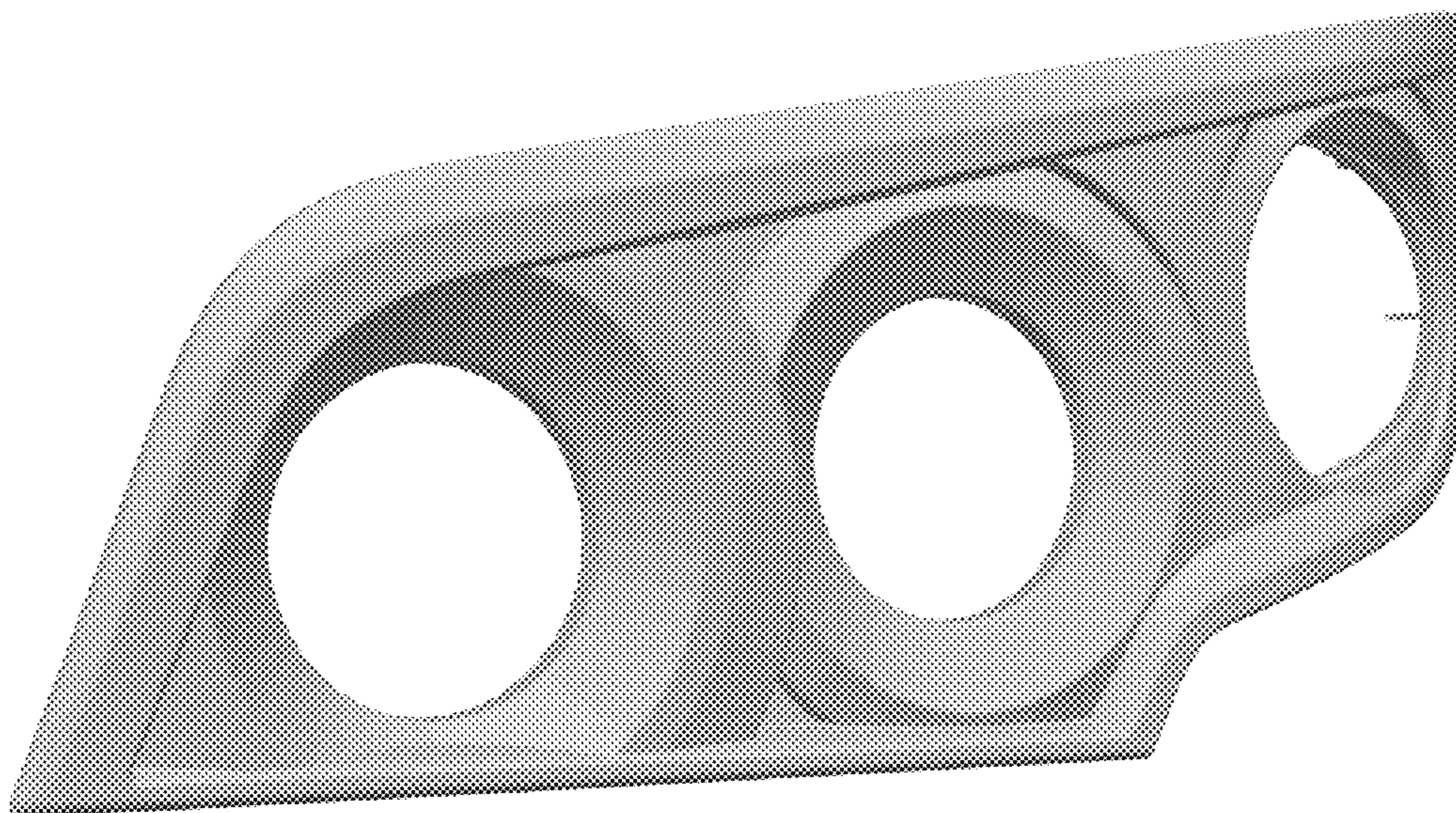
(57) **CLAIM**

The ornamental design for a headlamp bezel for vehicle, as shown and described.

DESCRIPTION

FIG. 1 is a perspective view of a headlamp bezel for vehicle showing our new design;
FIG. 2 is a front view thereof;
FIG. 3 is a rear view thereof;
FIG. 4 is a left side view thereof;
FIG. 5 is a right side view thereof;
FIG. 6 is a top view thereof; and,
FIG. 7 is a bottom view thereof.

1 Claim, 2 Drawing Sheets



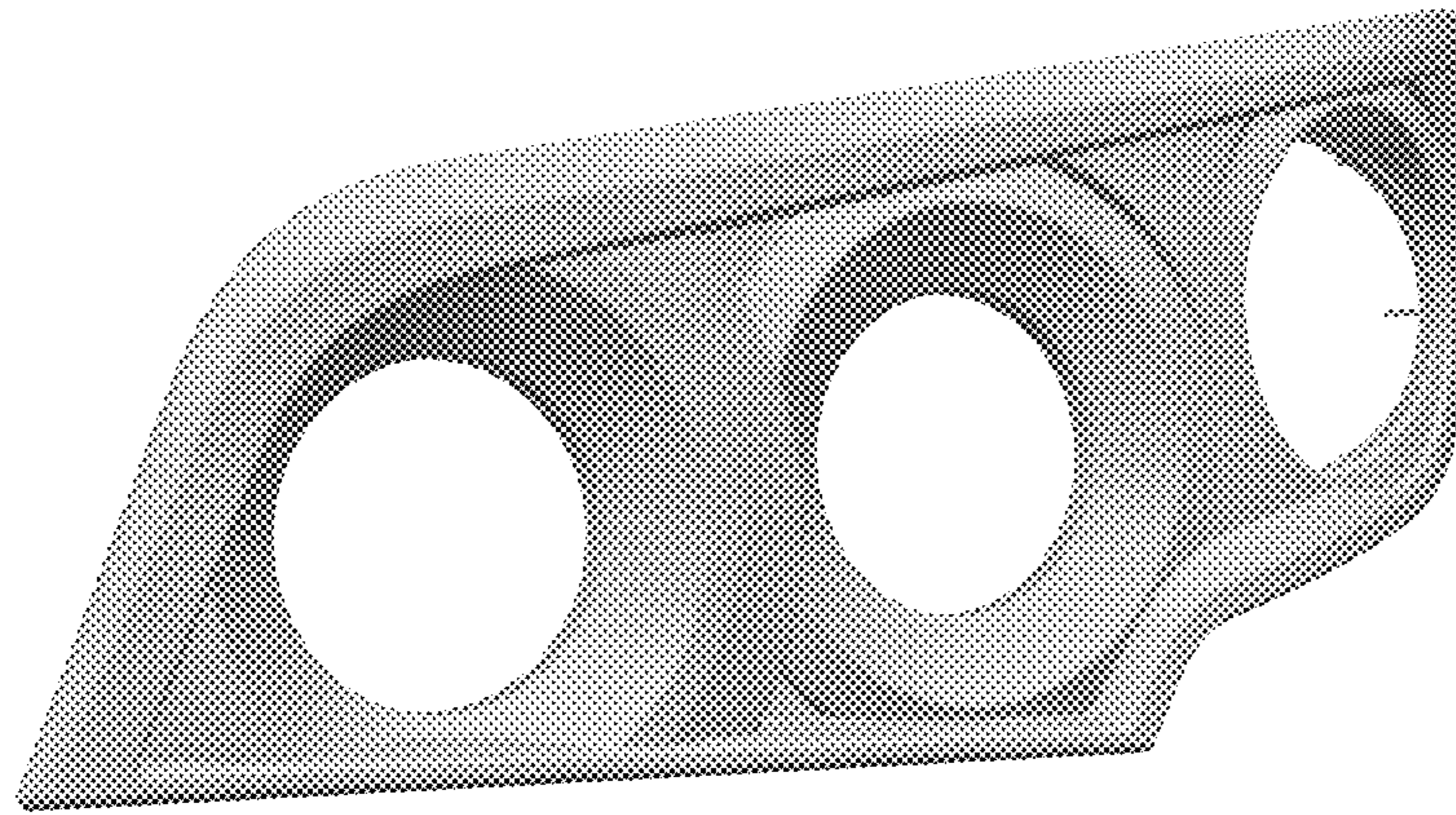


FIG. 1

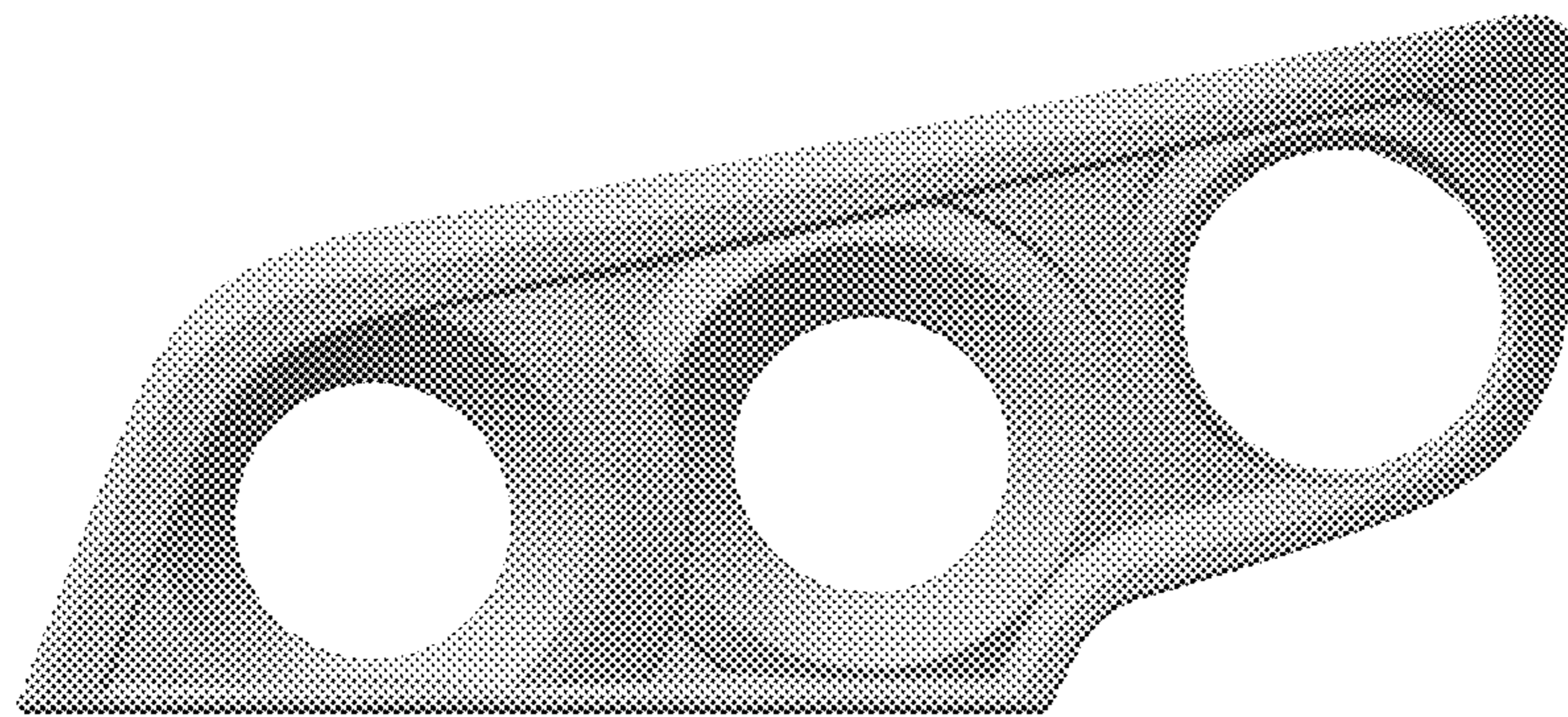


FIG. 2

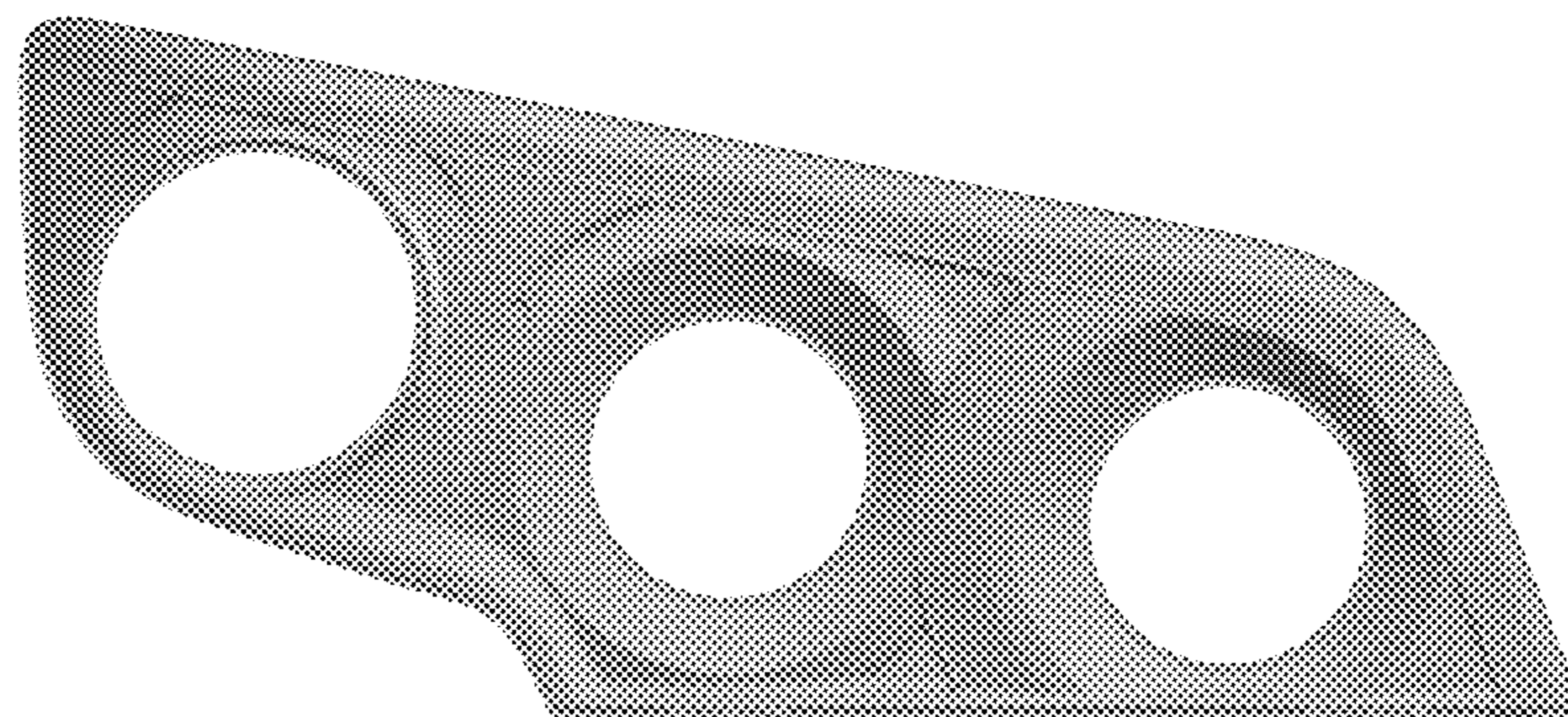


FIG. 3

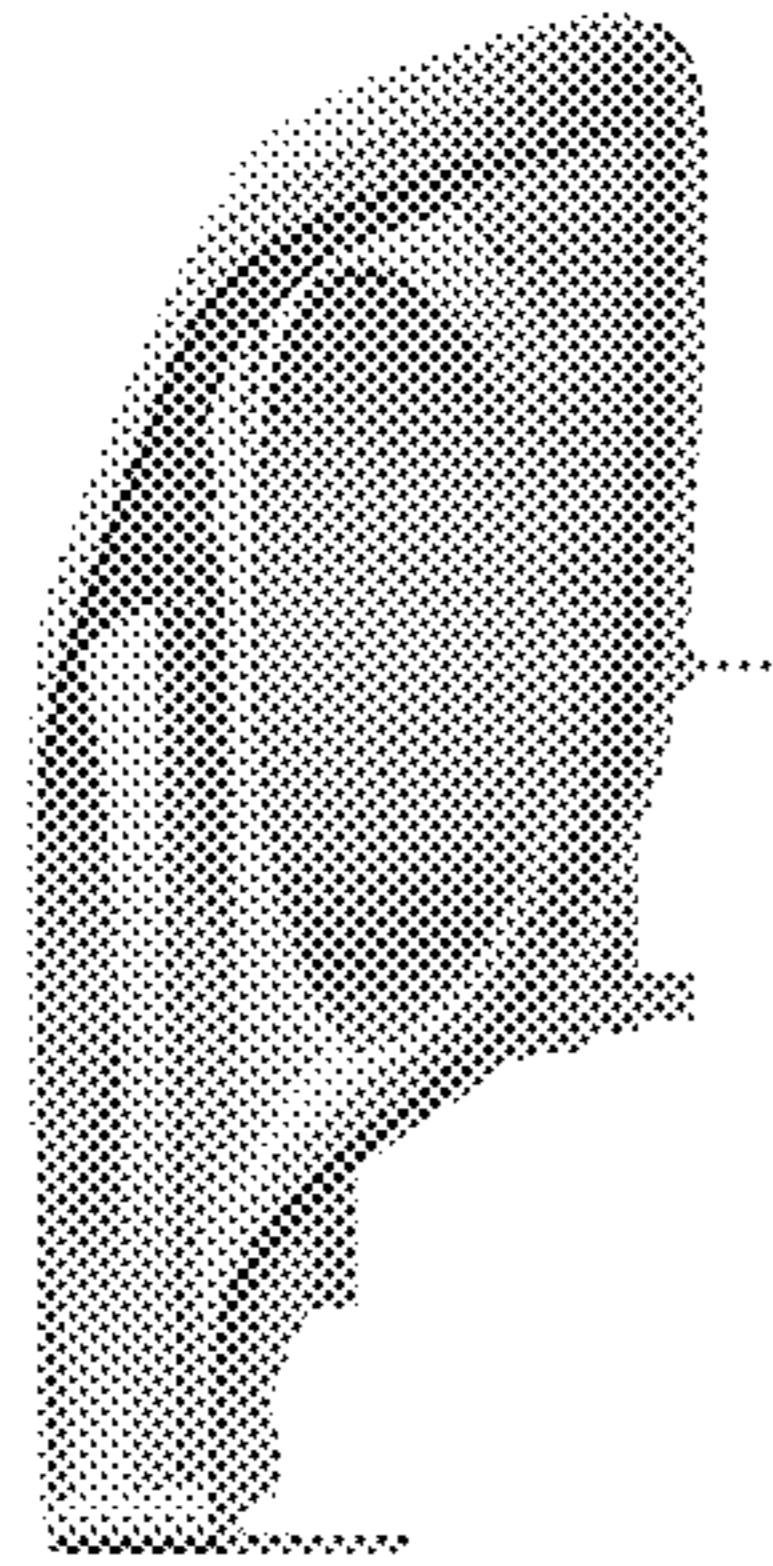


FIG. 4

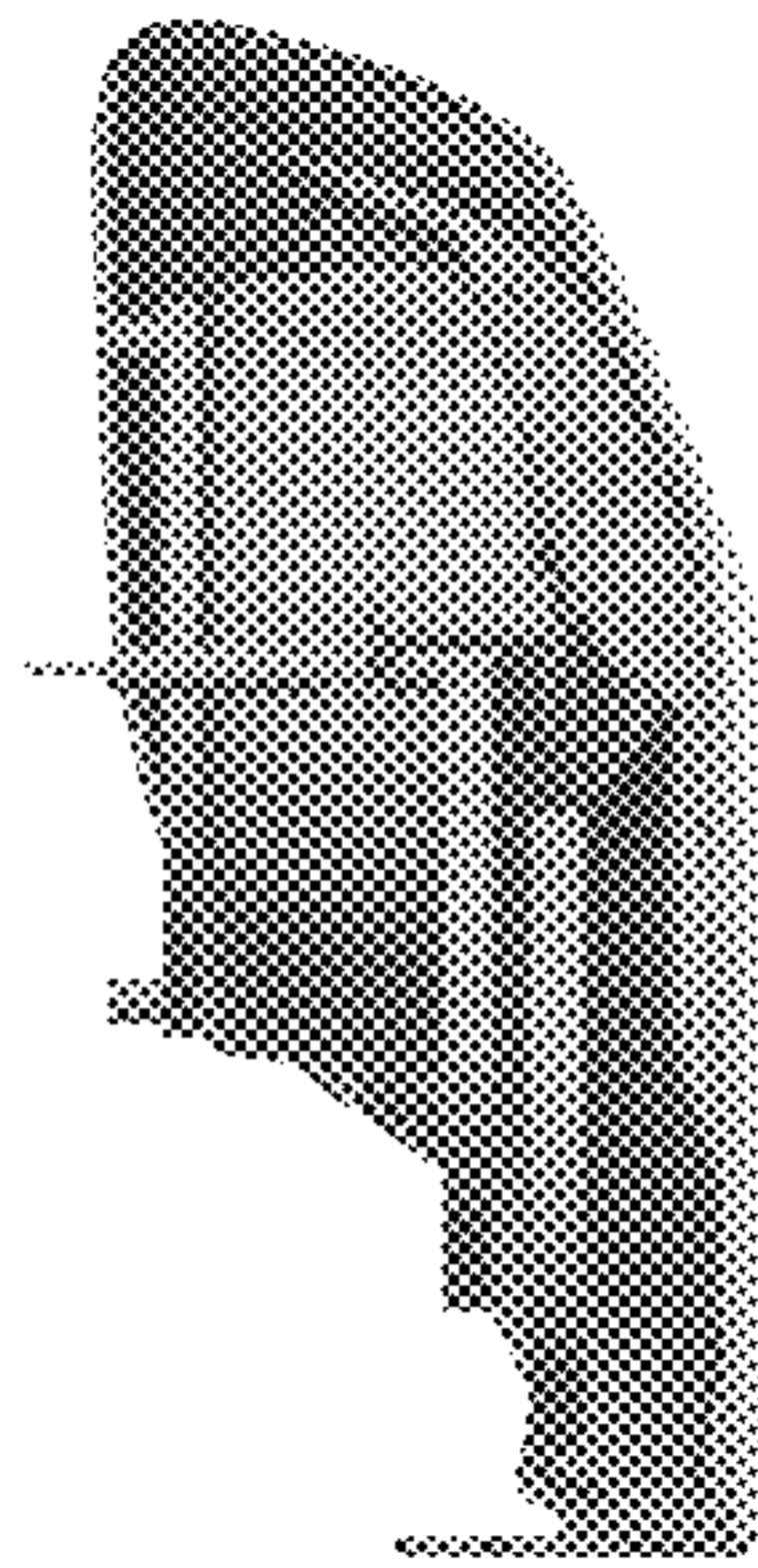


FIG. 5

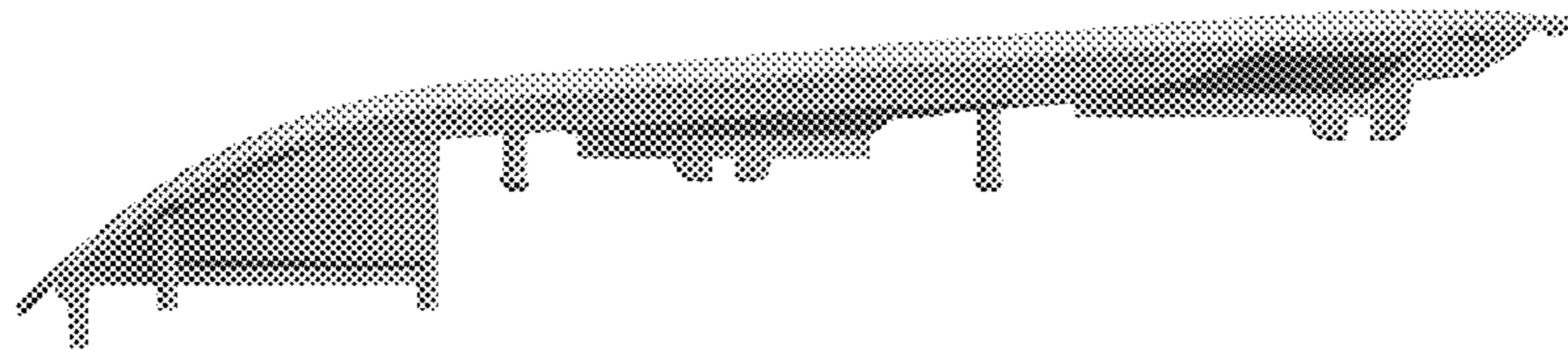


FIG. 6

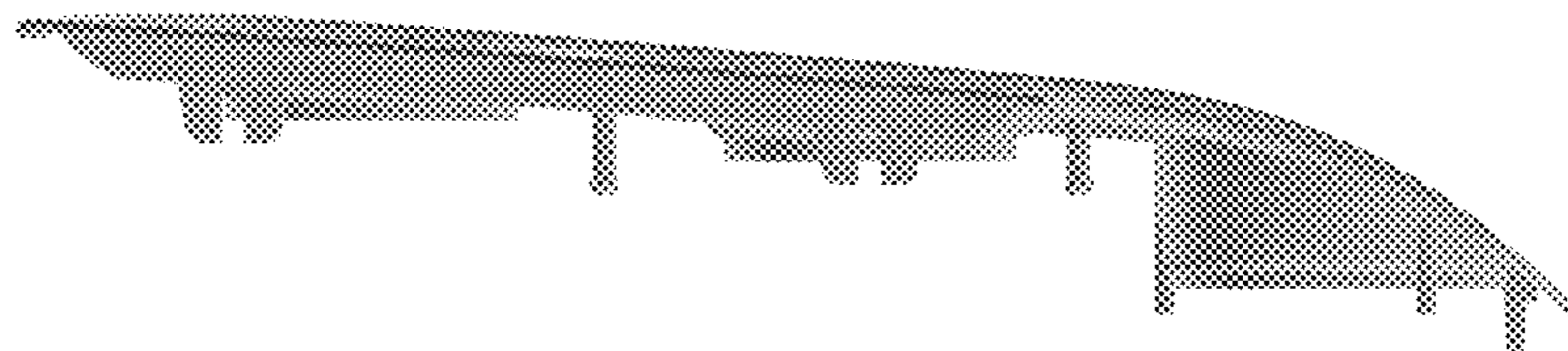


FIG. 7