



US00D861236S

(12) **United States Design Patent**  
**Lai**

(10) **Patent No.:** **US D861,236 S**

(45) **Date of Patent:** **\*\* Sep. 24, 2019**

(54) **AUTOMOBILE HEADLIGHT LENS**

D550,871 S 9/2007 Conway et al.  
D565,758 S 4/2008 Conway et al.  
D709,645 S \* 7/2014 Hovind ..... D26/139

(71) Applicant: **Ching-Tsung Lai**, Tainan (TW)

\* cited by examiner

(72) Inventor: **Ching-Tsung Lai**, Tainan (TW)

*Primary Examiner* — Marcus A Jackson  
(74) *Attorney, Agent, or Firm* — Alexander Chen, Esq.;  
Inhouse Co. Law Firm

(\*\*) Term: **15 Years**

(21) Appl. No.: **29/642,410**

(22) Filed: **Mar. 29, 2018**

(57) **CLAIM**

(51) **LOC (12) Cl.** ..... **26-99**

The ornamental design for an automobile headlight lens, as shown and described.

(52) **U.S. Cl.**

USPC ..... **D26/139**

(58) **Field of Classification Search**

**DESCRIPTION**

USPC ..... D26/28-36, 139

CPC ..... F21S 48/00; F21S 48/10; F21S 48/115;

F21S 48/225; F21S 48/1233; F21S

48/1266; F21S 48/1388; F21S 48/2268;

F21V 21/04; F21V 29/004

See application file for complete search history.

FIG. 1 is a perspective view of an automobile headlight lens;  
FIG. 2 is a front view thereof;  
FIG. 3 is a back view thereof; and  
FIG. 4 is a left view thereof;  
FIG. 5 is a right view thereof;  
FIG. 6 is a top view thereof; and,  
FIG. 7 is a bottom view thereof.

(56) **References Cited**

The broken lines are included to show environmental structure and form no part of the claimed design. The drawings and descriptions represent the left side embodiment. The claim is also for a mirror image right side embodiment.

**U.S. PATENT DOCUMENTS**

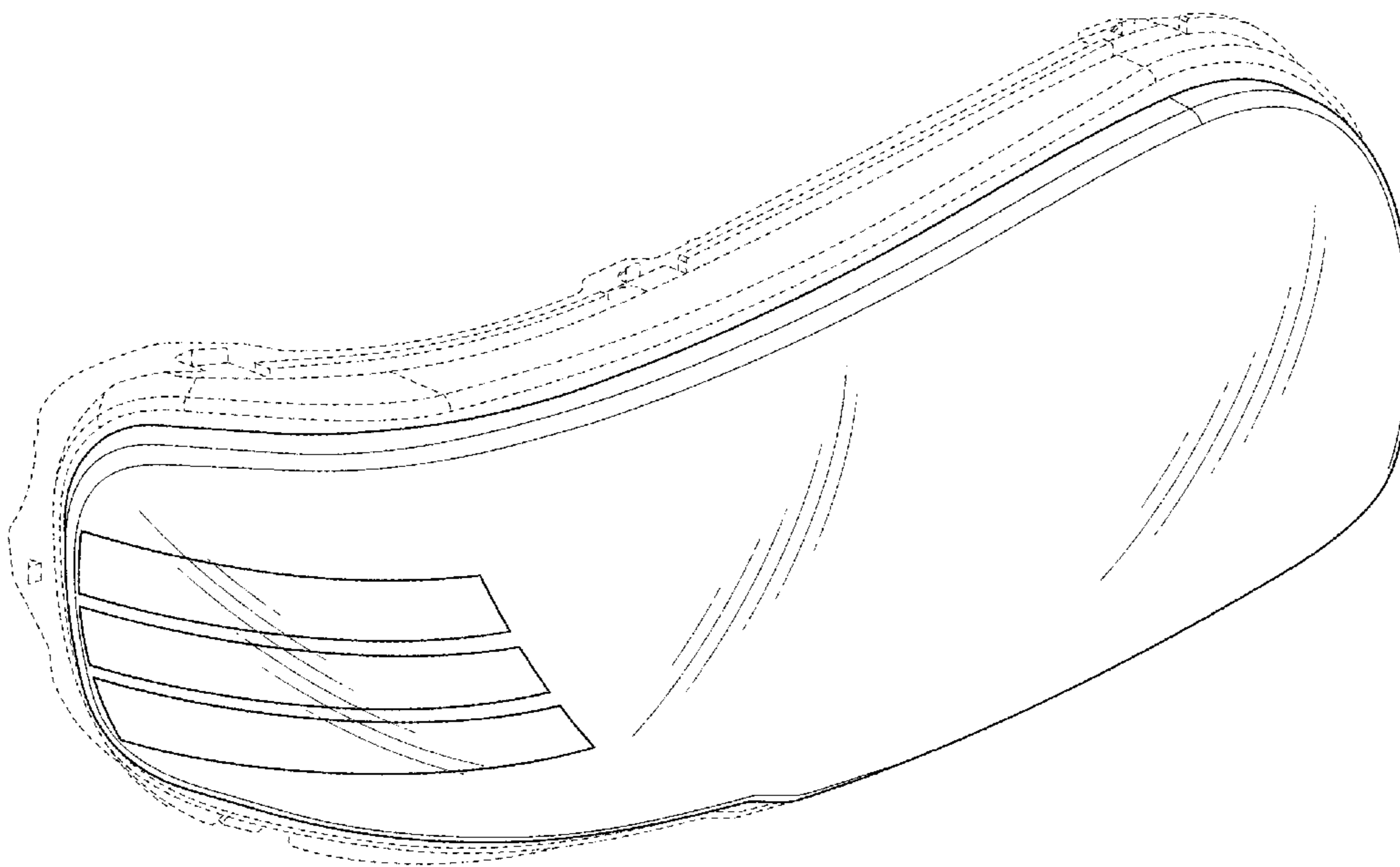
D316,460 S \* 4/1991 Neece ..... D26/120

D396,311 S \* 7/1998 Sacco ..... D26/28

D425,240 S \* 5/2000 Goeckeritz ..... D26/139

D547,888 S 7/2007 Conway et al.

**1 Claim, 7 Drawing Sheets**



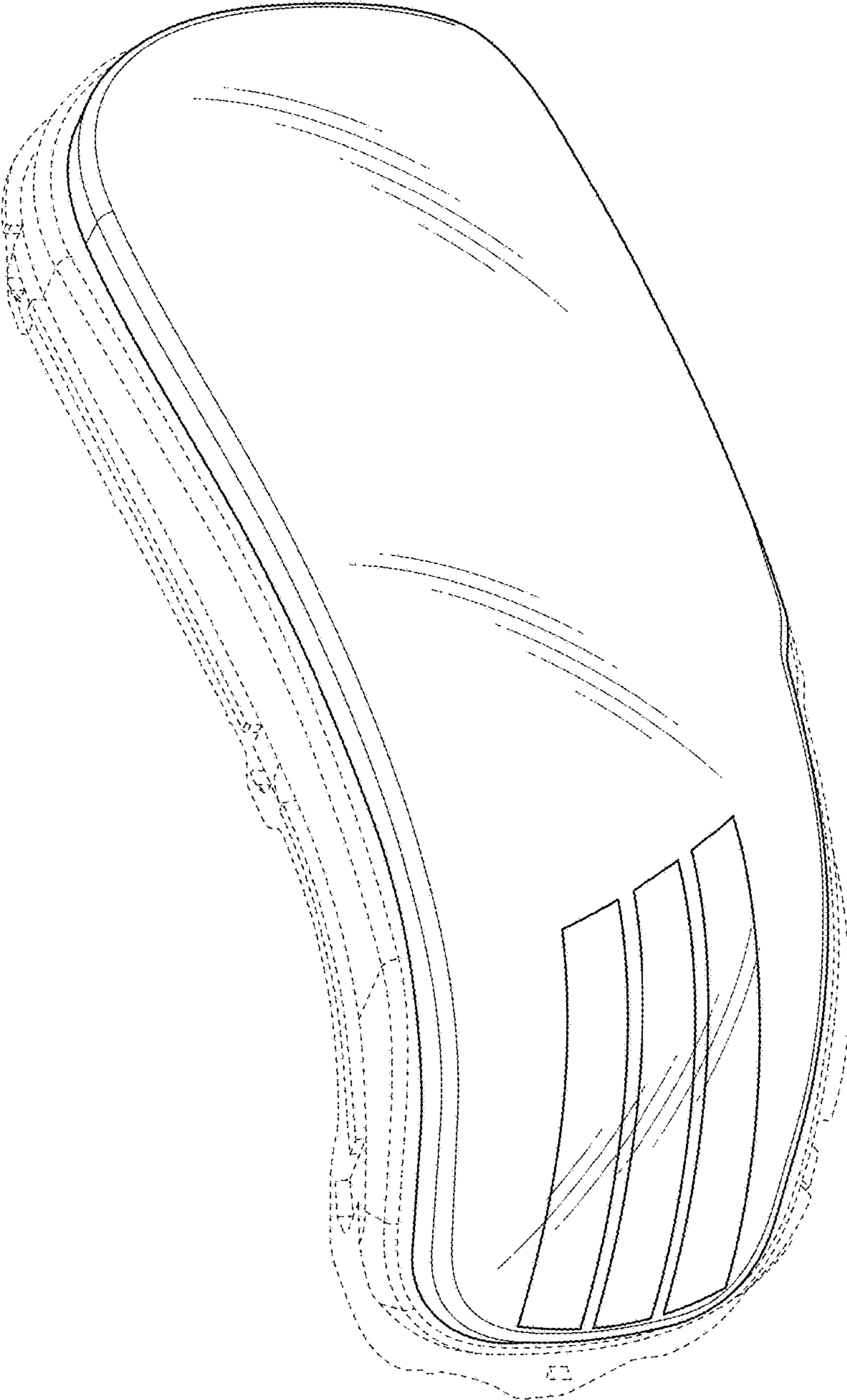


FIG. 1

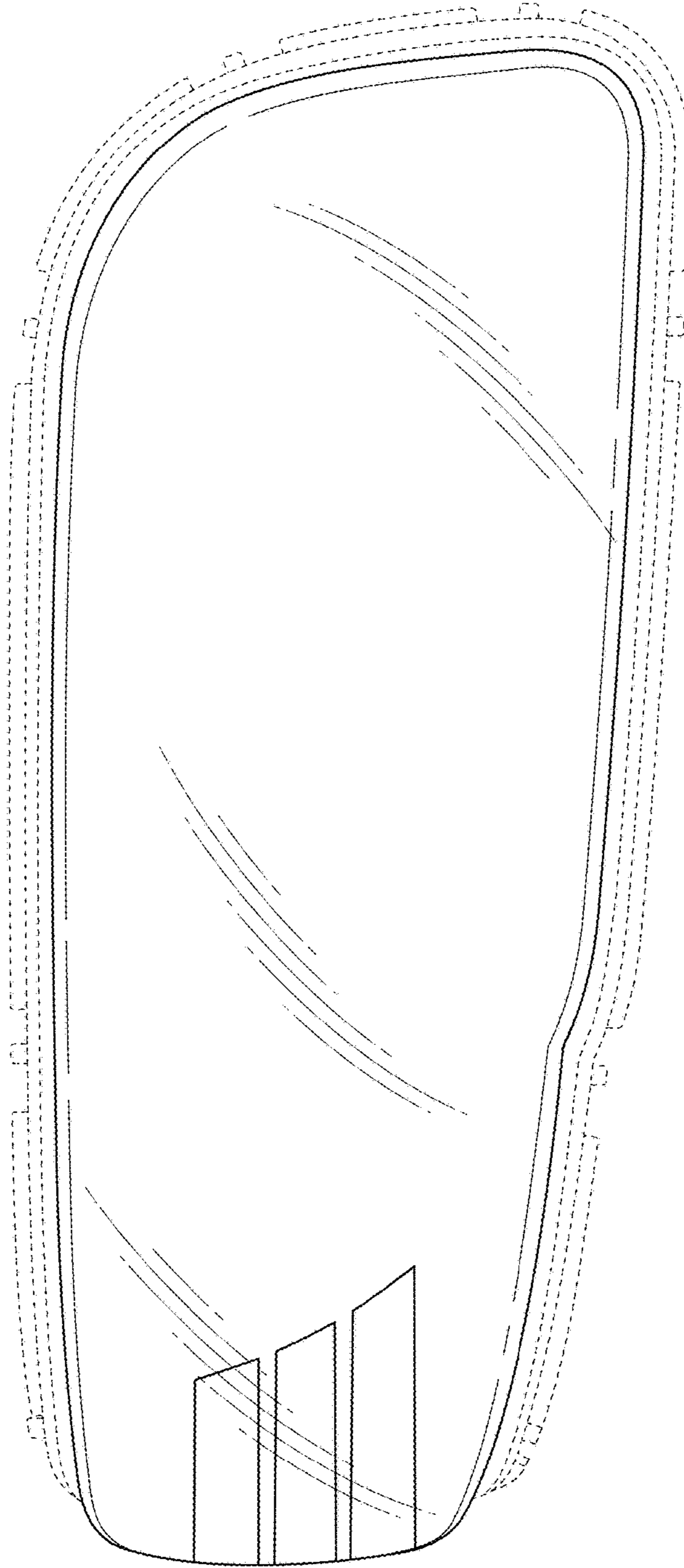


FIG. 2

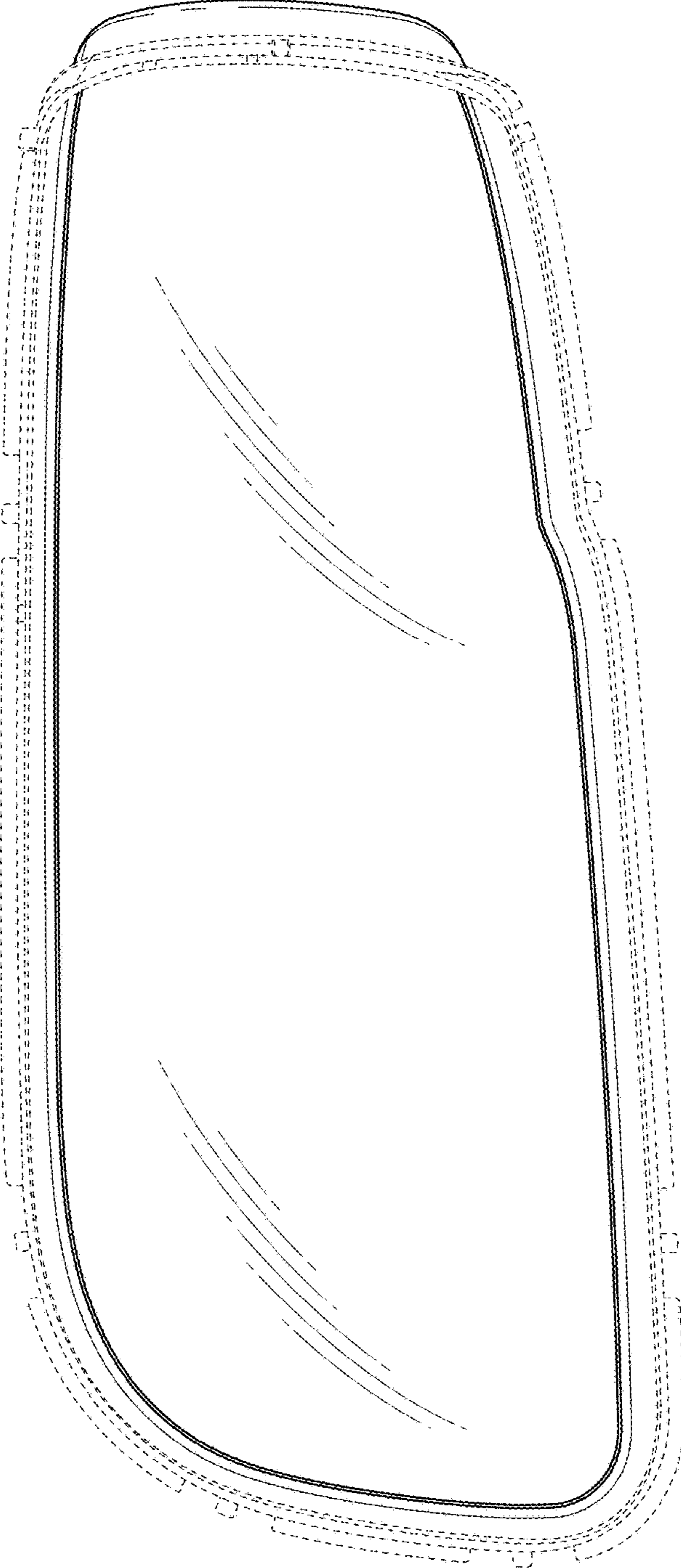


FIG. 3

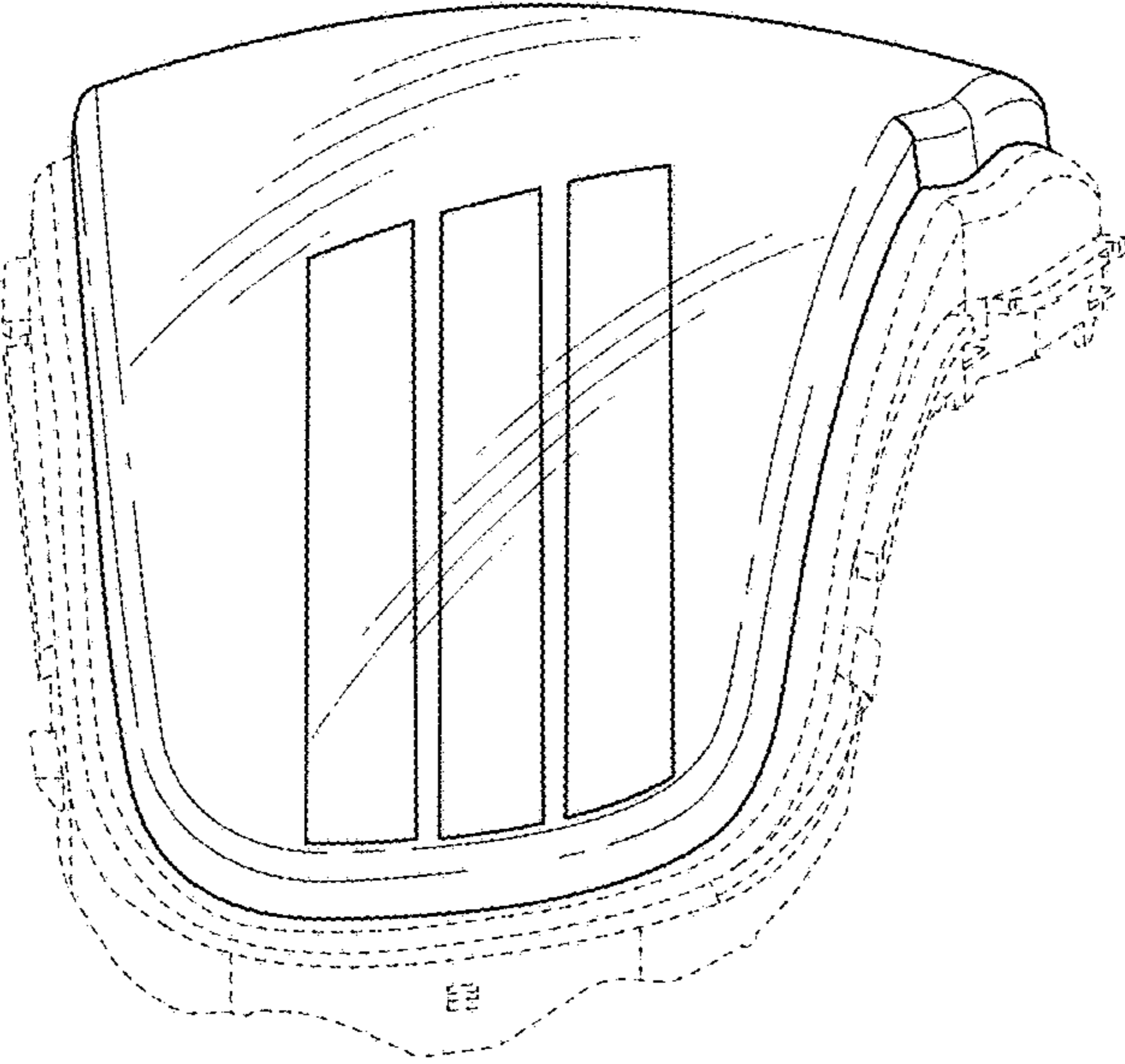


FIG. 4

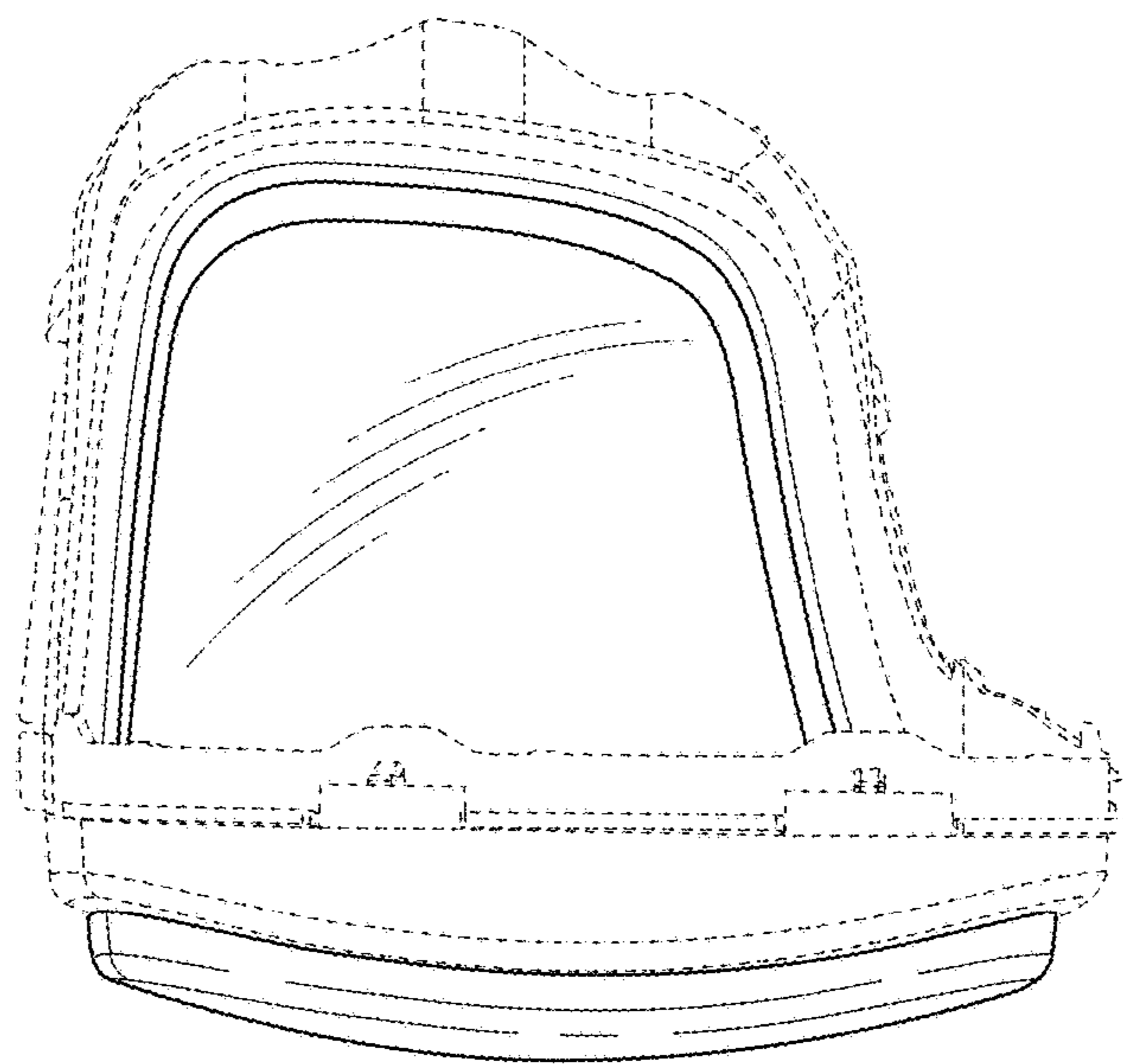


FIG. 5

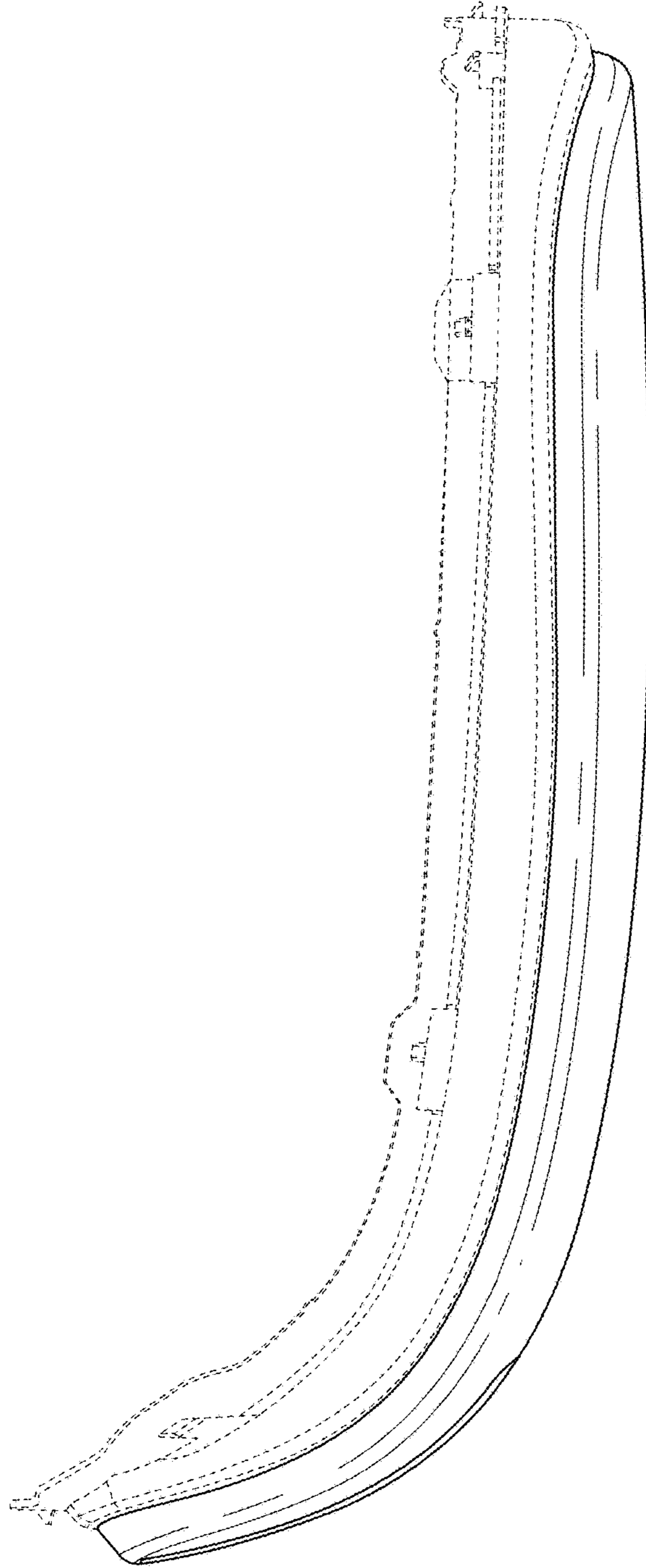


FIG. 6



FIG. 7