



US00D861235S

(12) **United States Design Patent** (10) **Patent No.:** **US D861,235 S**
Holmes (45) **Date of Patent:** **** Sep. 24, 2019**

- (54) **CEILING FAN LIGHT**
- (71) Applicant: **HUNTER FAN COMPANY**,
Memphis, TN (US)
- (72) Inventor: **Christine Holmes**, Memphis, TN (US)
- (73) Assignee: **Hunter Fan Company**, Memphis, TN
(US)
- (**) Term: **15 Years**
- (21) Appl. No.: **29/613,954**
- (22) Filed: **Aug. 15, 2017**
- (51) **LOC (12) Cl.** **26-05**
- (52) **U.S. Cl.**
USPC **D26/131; D26/59; D26/89**
- (58) **Field of Classification Search**
USPC D23/328, 370, 372, 377, 381, 382, 385;
D26/24, 51, 59, 62, 63, 72, 76, 77, 78,
D26/88, 128-138
CPC F24F 13/078; F04D 25/088; E04B 9/02
See application file for complete search history.

(56) **References Cited**

U.S. PATENT DOCUMENTS

D69,872 S *	4/1926	D'Olier, Jr.	D26/131
D77,320 S *	12/1928	Kopp	D26/128
D82,715 S *	12/1930	Baker	D26/131
D94,686 S *	2/1935	Guild et al.	D26/88
D106,593 S *	10/1937	Guth	D26/88
D174,219 S *	3/1955	Ensign	D26/134
D393,710 S *	4/1998	Gee, II	D23/377
D397,782 S *	9/1998	Gee, II	D23/379
D459,466 S *	6/2002	Hsieh	D23/411
D516,704 S *	3/2006	Pickett	D23/411
D553,787 S *	10/2007	Hammond	D26/88
D567,429 S	4/2008	Pickett	
D594,540 S	6/2009	Pan	
D621,024 S *	8/2010	Orozco	D23/377
D621,496 S	8/2010	Chen	

D744,081 S *	11/2015	Wang	D23/411
D803,380 S *	11/2017	Holmes	D23/377
D828,941 S *	9/2018	Holmes	D26/59

OTHER PUBLICATIONS

<http://www.fanimation.com/products/index.php/lighting/myfanimation-school-house-glass.html>, Fanimation, School House Glass, accessed Aug. 15, 2017.
[http://www.lampsplus.com/products/possinieuroschoolhouse13inchwbrushedsteelceilinglight_8f754.html?refpath=/products/closetoceilingleights/style . . .](http://www.lampsplus.com/products/possinieuroschoolhouse13inchwbrushedsteelceilinglight_8f754.html?refpath=/products/closetoceilingleights/style...), Possini Euro Design Collection, Schoolhouse 13"W Brushed Steel Ceiling Light, Style No. 8F754, accessed Apr. 27, 2017.
<http://ceilingfans.emerson.com/shop/en/fan/fans-s-emerson-fans/fans-s-traditional/prima-fan-p-cf901>, Emerson, 52 inch Bronze Ceiling Fan with Optional Accent Light. accessed Apr. 27, 2017.

(Continued)

Primary Examiner — Sheryl Lane
Assistant Examiner — Calvin E Vansant
(74) *Attorney, Agent, or Firm* — McGarry Bair PC

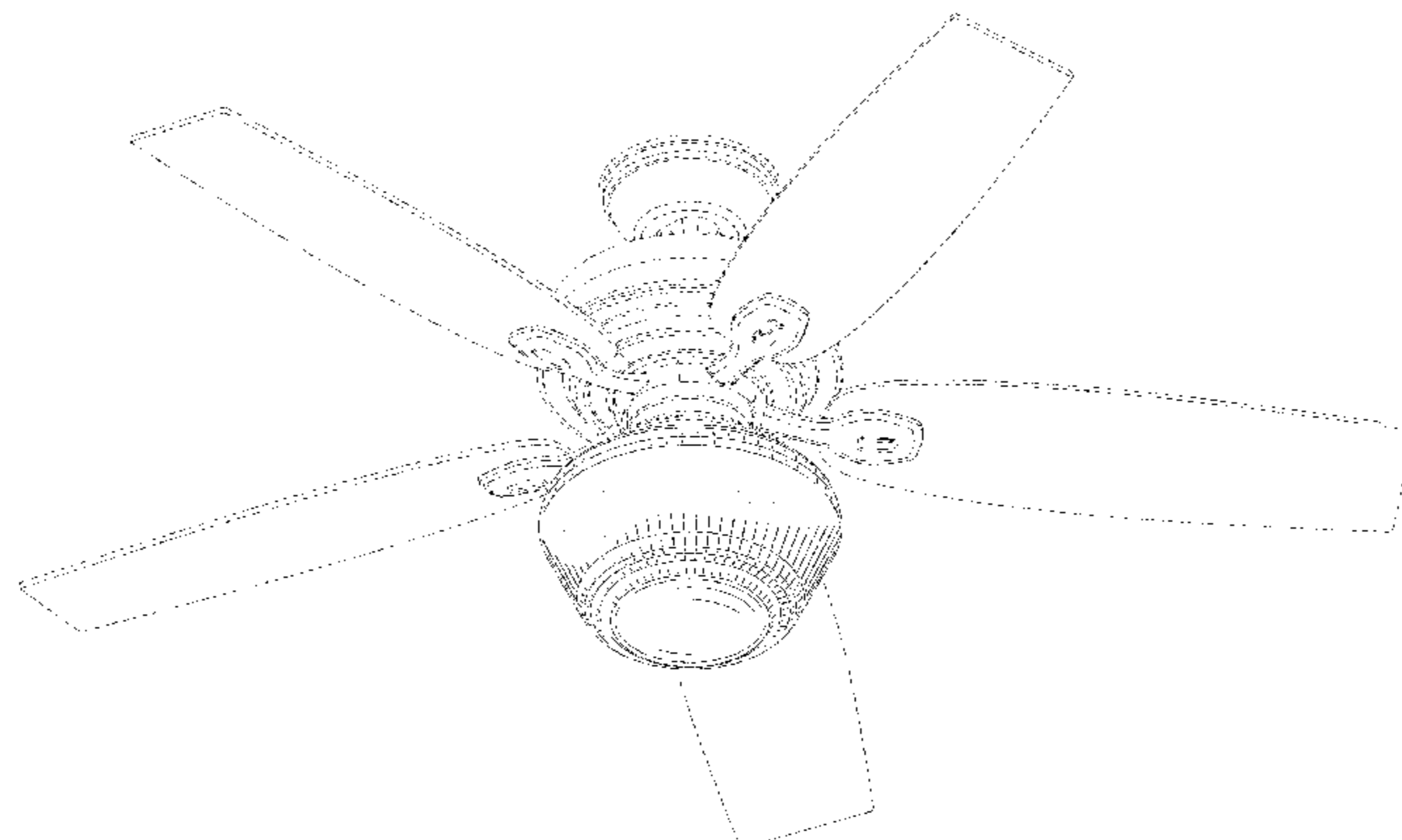
(57) **CLAIM**

The ornamental design for a ceiling fan light, as shown and described.

DESCRIPTION

FIG. 1 is a bottom perspective view of a light in the environment of a ceiling fan;
FIG. 2 is a bottom perspective view of the light of FIG. 1;
FIG. 3 is a top perspective view of the light of FIG. 1;
FIG. 4 is a top view of the light of FIG. 1;
FIG. 5 is a bottom view of the light of FIG. 1; and,
FIG. 6 is a side view of the light of FIG. 1.
Portions of the drawings shown in broken lines depict environmental subject matter only and form no part of the claim.

1 Claim, 4 Drawing Sheets



(56)

References Cited

OTHER PUBLICATIONS

<http://www.hunterfan.com/Ceiling-Fans/Valerian?ModelNumber=54062>, Hunter Fan, Valerian 60" Ceiling Fan, Brittany Bronze Finish, accessed Apr. 27, 2017.

<http://www.fanimation.com/products/index.php/fans/distinctiondc.html>, Fanimation, Distinction DC, Model No. D1, accessed Aug. 15, 2017.

<https://www.rejuvenation.com/catalog/collections/heronschoolhouseceilingfanswithclearogeesshade>, Rejuvenation, Heron Ceiling Fan with Clear Ogee Shade Heron 4 Blade Ceiling Fan with 10-1/2" Clear Ogee Shade, accessed Apr. 27, 2017.

<http://www.hunterfan.com/Ceiling-Fans/Bennett?ModelNumber=54187>, Hunter Fan, Bennett (Globe), 52" Ceiling Fan, Model No. 54187, accessed Apr. 27, 2017.

<http://www.hunterfan.com/Ceiling-Fans/Crown-Canyon?ModelNumber=53331>, Hunter Dan, Crown Canyon, 52" Ceiling Fan, Model No. 53331, accessed Apr. 27, 2017.

* cited by examiner

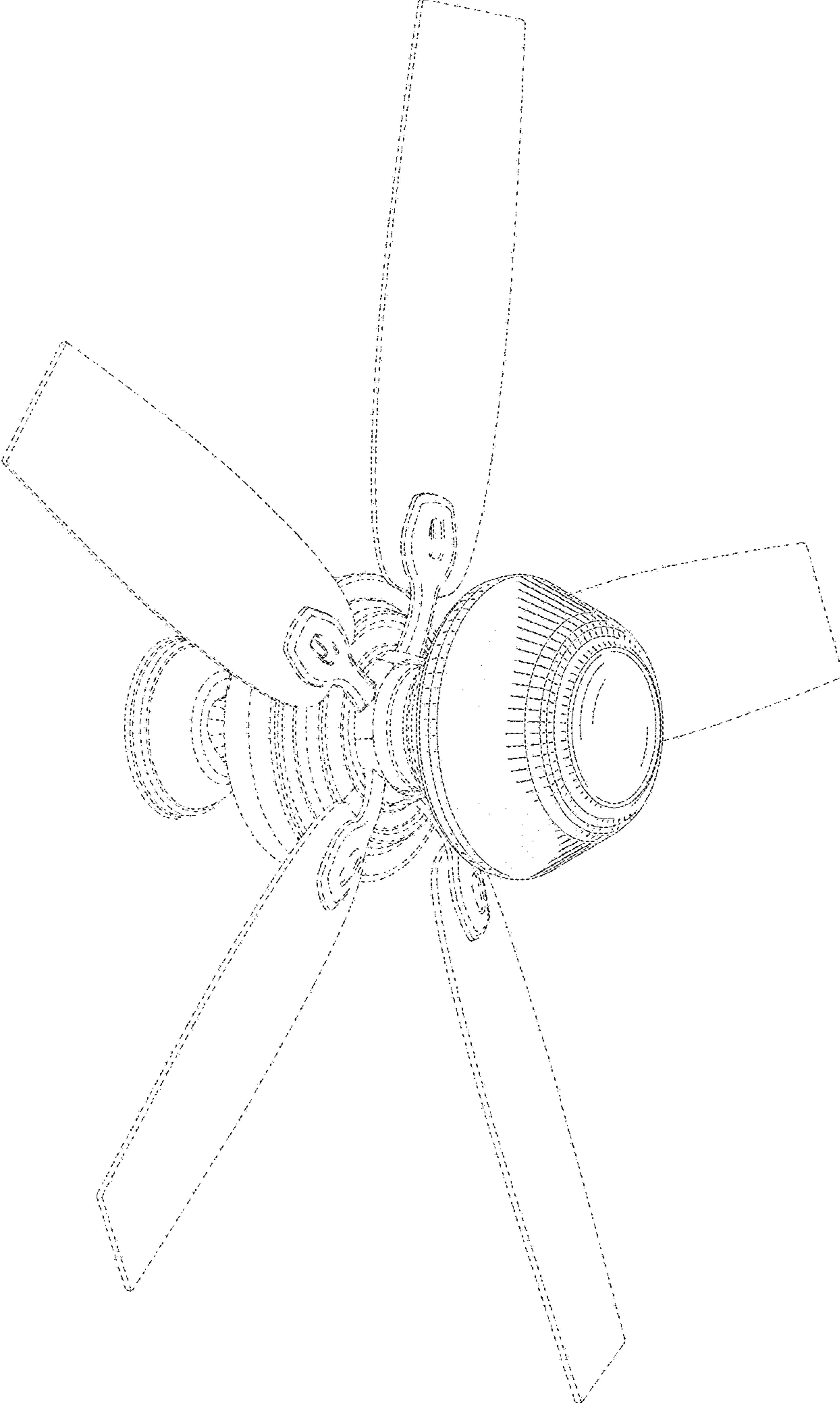


FIG.1

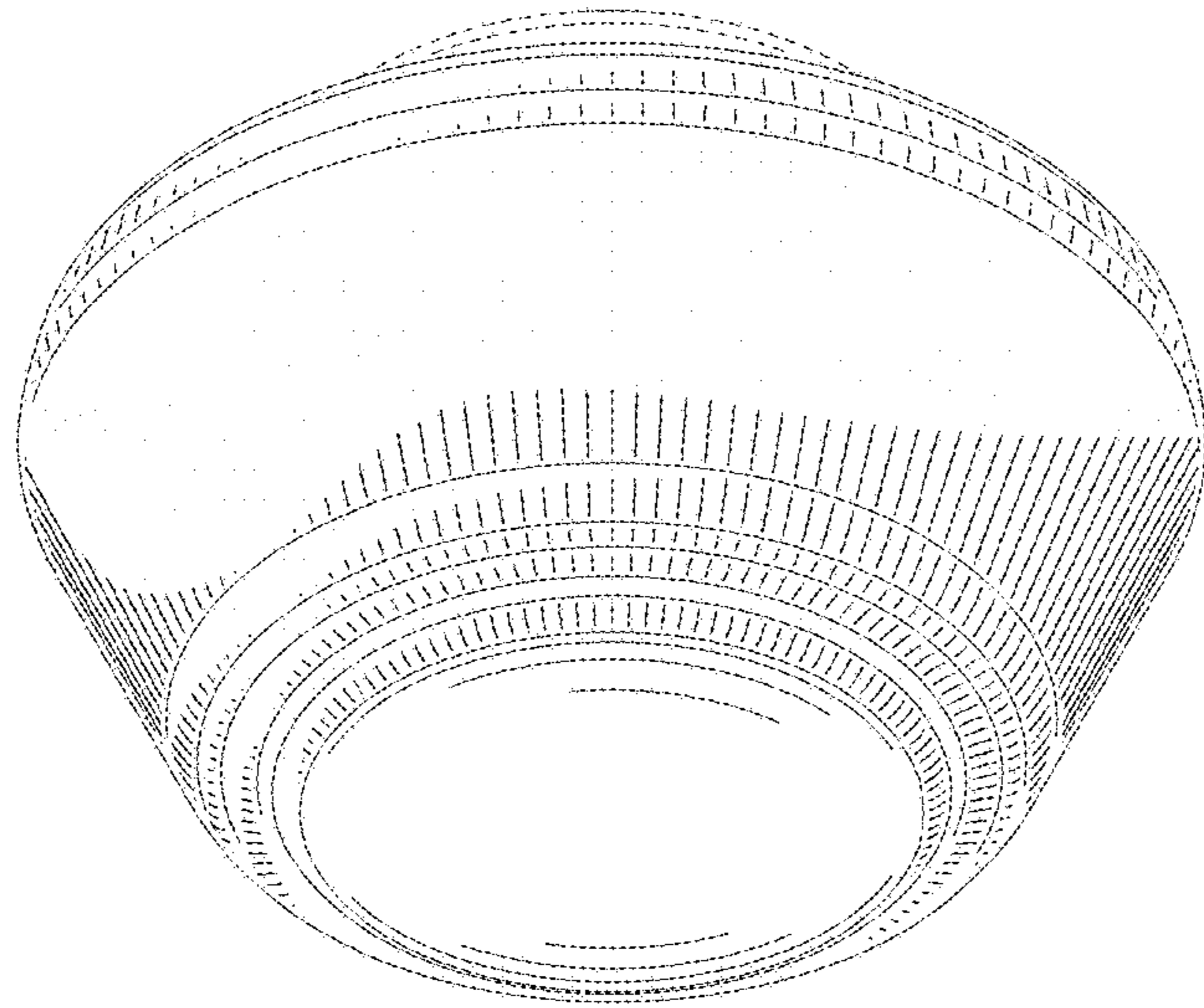


FIG. 2

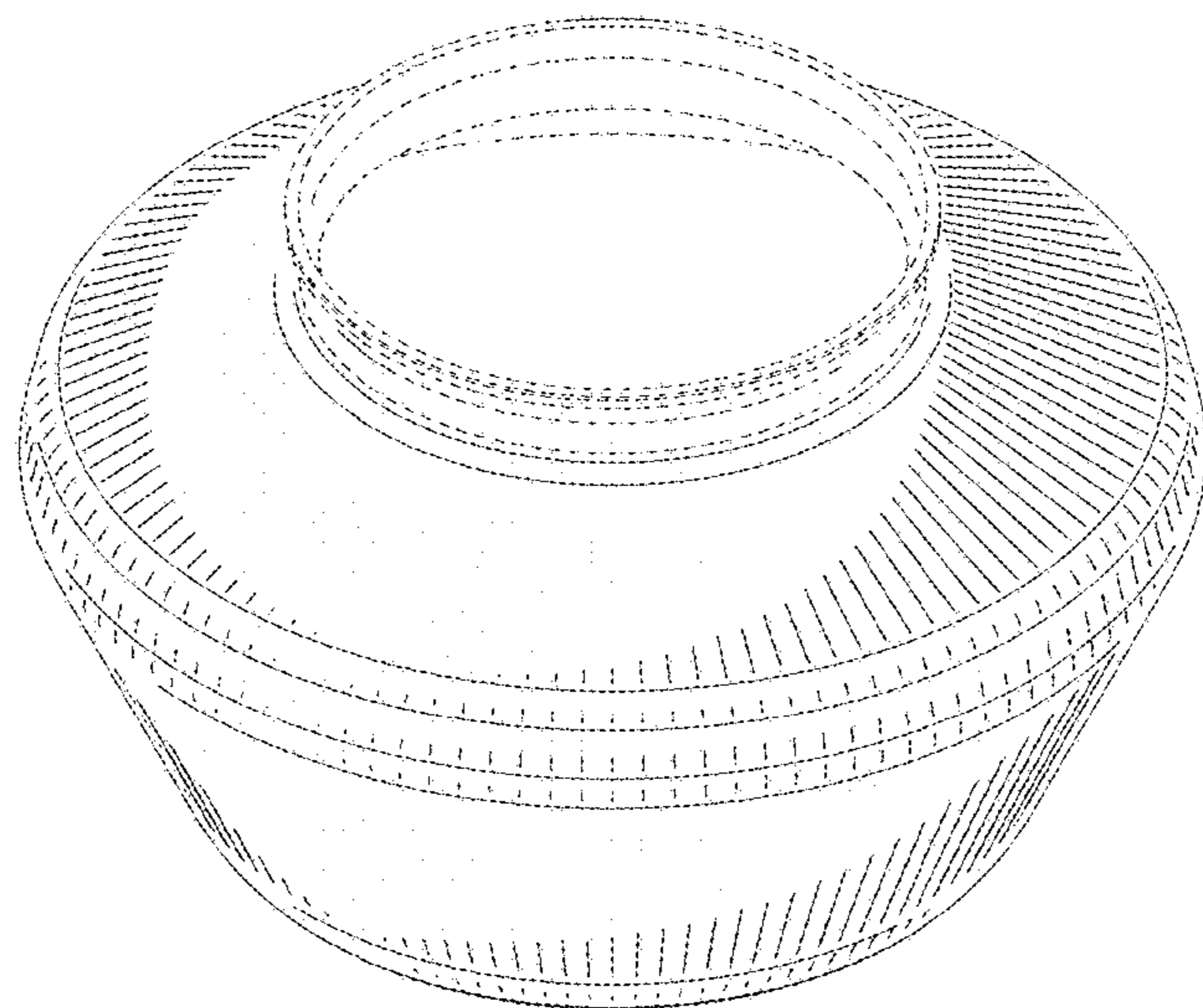
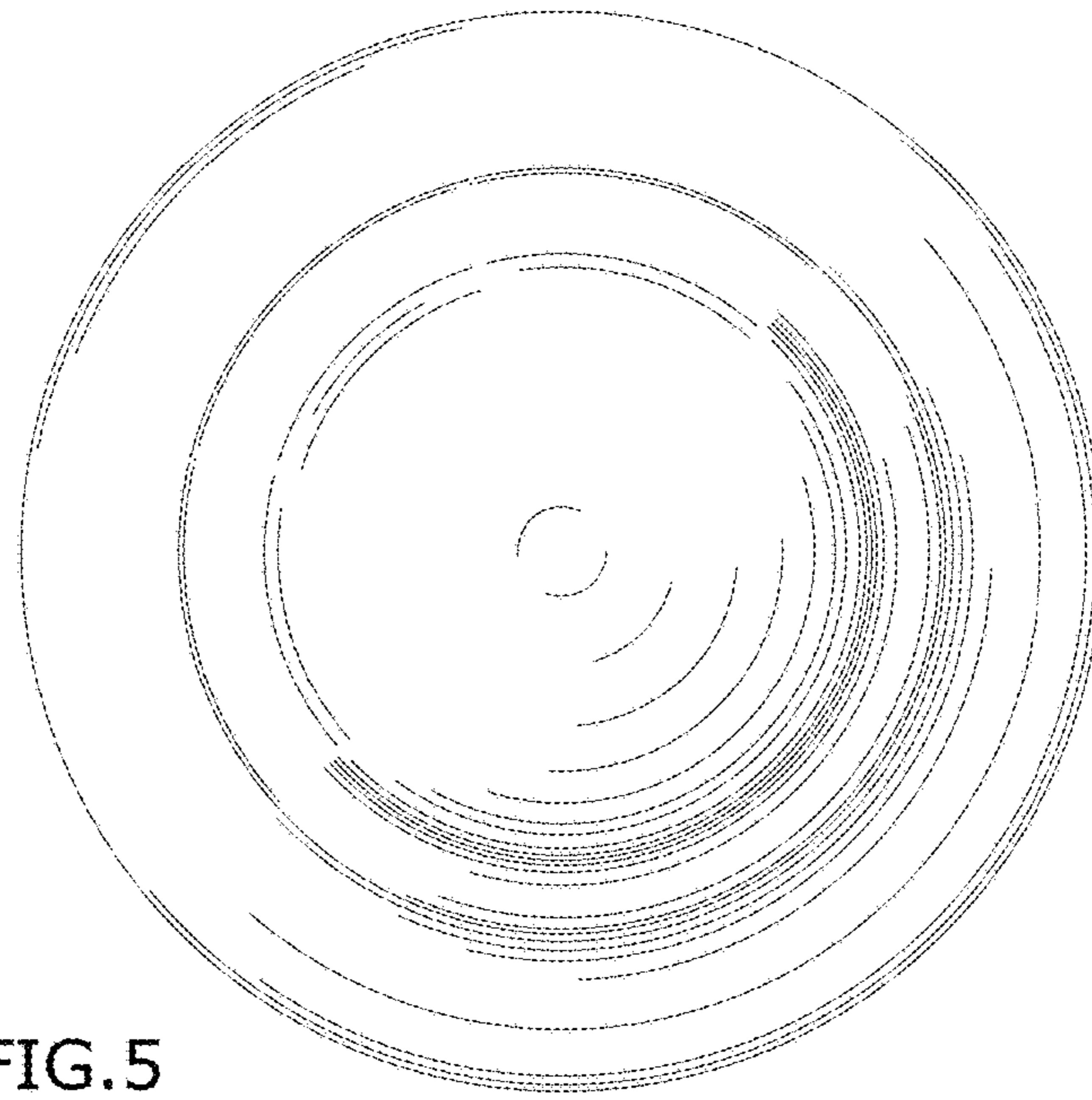
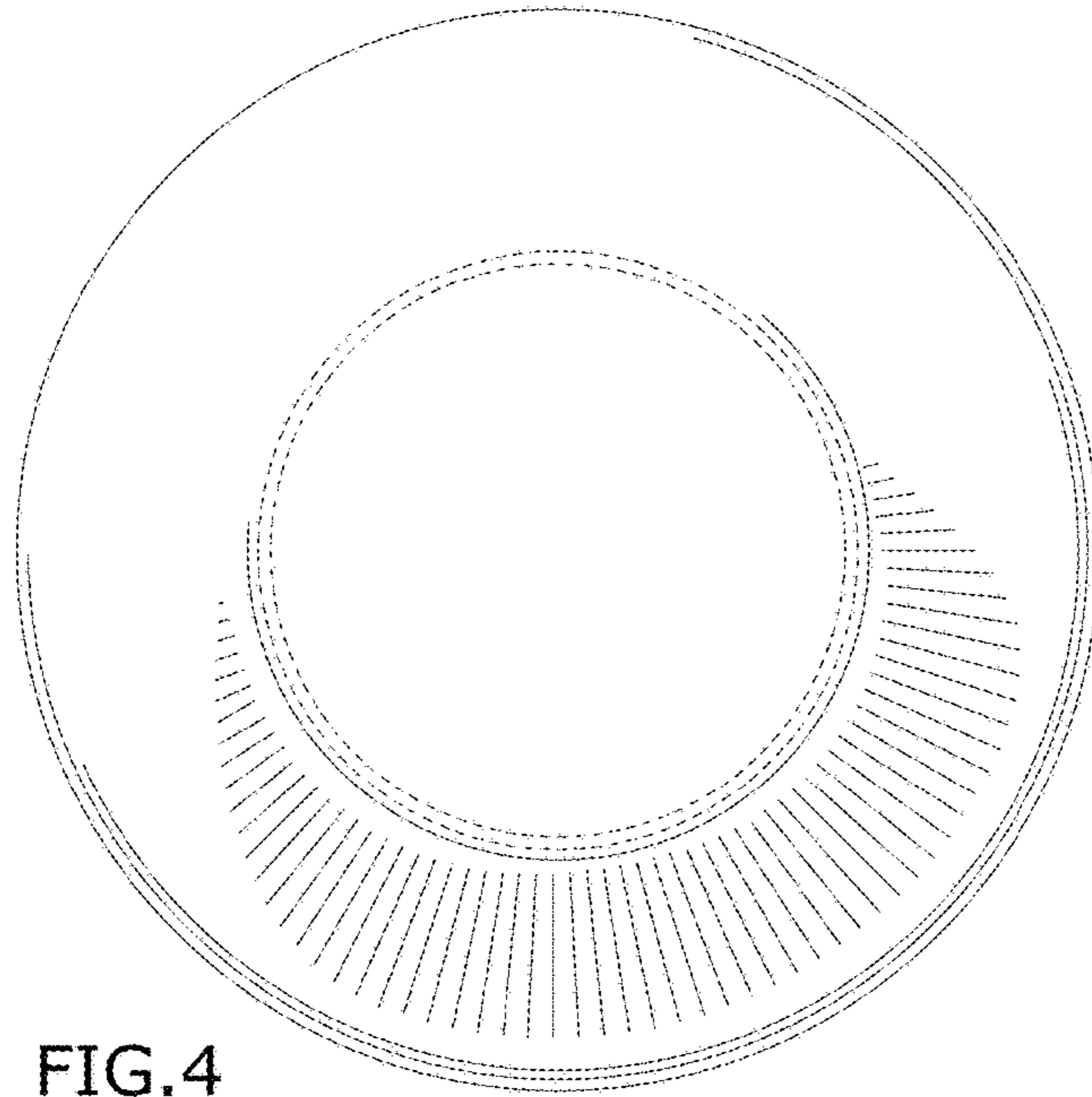


FIG. 3



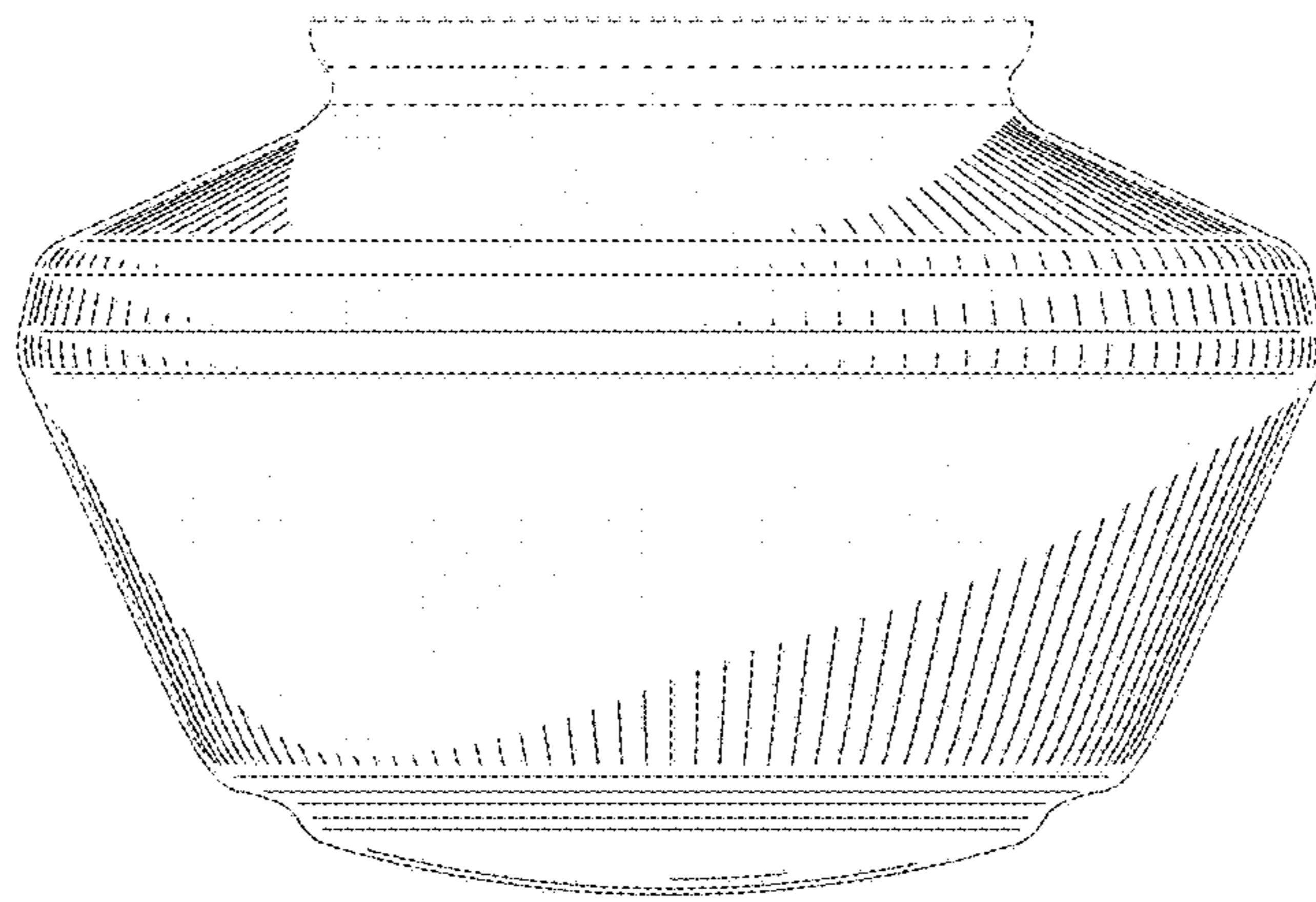


FIG.6