



US00D861233S

(12) **United States Design Patent** (10) **Patent No.:** **US D861,233 S**  
**Jurik et al.** (45) **Date of Patent:** **\*\* Sep. 24, 2019**

(54) **LUMINAIRE OUTPUT LENS ARRAY** 7,354,167 B2 \* 4/2008 Cho ..... G02B 5/09  
 359/291  
 (71) Applicant: **Robe Lighting s.r.o.**, Roznov pod D606,690 S 12/2009 Orrom et al.  
 Radhostem (CZ) D626,255 S \* 10/2010 Hiratsuka ..... D26/1  
 D629,547 S 12/2010 Salm  
 (72) Inventors: **Pavel Jurik**, Prostedni Becva (CZ); D629,961 S \* 12/2010 Little, Jr. .... D26/120  
**Josef Valchar**, Prostedni Becva (CZ) D634,884 S \* 3/2011 Yoshinobu ..... D26/123  
 D667,582 S 9/2012 Toft  
 (73) Assignee: **Robe Lighting s.r.o.**, Roznov pod D672,915 S \* 12/2012 Toft ..... D26/123  
 Radhostem (CZ) D683,493 S \* 5/2013 Villamizar ..... D26/124  
 D689,232 S 9/2013 Velazquez  
 (\*\*) Term: **15 Years** D712,077 S 8/2014 Leban et al.  
 D712,087 S \* 8/2014 Kjaergaard Toft ..... D26/123  
 D728,840 S 5/2015 Eustace  
 (21) Appl. No.: **29/643,485** D740,989 S 10/2015 Vasquez et al.  
 D774,688 S 12/2016 Dennis et al.  
 D782,718 S 3/2017 Ko

(Continued)

(22) Filed: **Apr. 9, 2018**  
 (51) **LOC (12) Cl.** ..... **09-03**  
 (52) **U.S. Cl.**  
 USPC ..... **D26/124**; D26/120  
 (58) **Field of Classification Search**  
 USPC ..... D26/1, 2, 13, 24, 34, 35, 36, 40, 61, 63,  
 D26/65, 69, 71, 76, 79, 82, 86, 120, 122,  
 D26/123, 124, 143, 148, 149; D9/755,  
 D9/756, 757; D7/501, 553.1, 553.3,  
 D7/553.6  
 CPC ..... F21V 5/08; F21V 5/077; F21V 7/0083;  
 F21V 21/00; F21V 21/14; F21V 21/30;  
 F21V 14/00; F21V 14/02; F21V 15/01;  
 F21S 8/00; F21S 8/003; F21S 8/043  
 See application file for complete search history.

*Primary Examiner* — Wan Laymon  
*Assistant Examiner* — Clint A Samuel  
 (74) *Attorney, Agent, or Firm* — Conley Rose, P.C.; Grant  
 Rodolph; Brooks W Taylor

(57) **CLAIM**

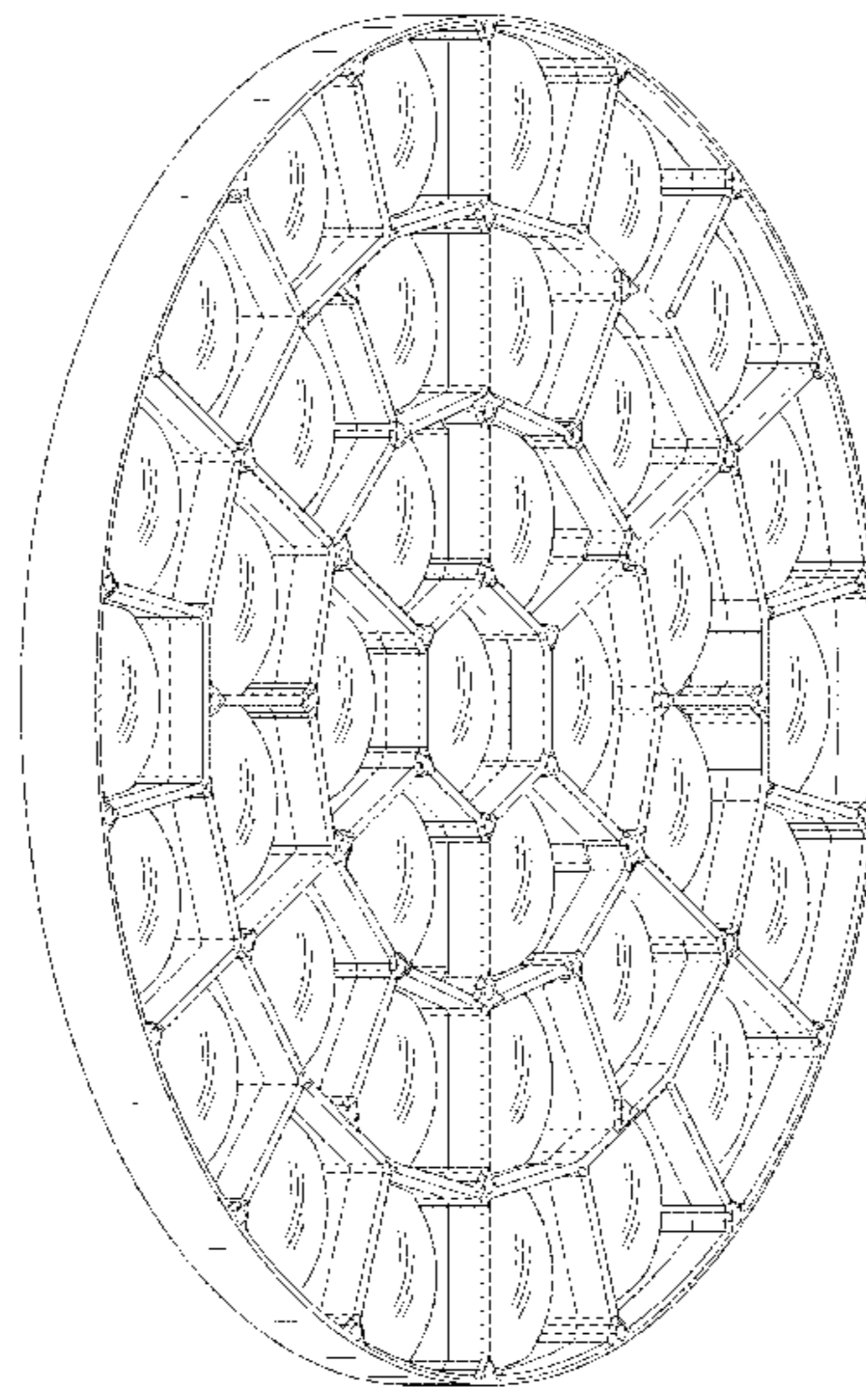
The ornamental design for a luminaire output lens array, as shown and described.

**DESCRIPTION**

FIG. 1 is a perspective view of a luminaire output lens array in accordance with the new design;  
 FIG. 2 is a front view of a luminaire output lens array in accordance with the new design;  
 FIG. 3 is a side view of a luminaire output lens array in accordance with the new design; and,  
 FIG. 4 is a perspective view of a luminaire output lens array with a luminaire shown in broken lines which forms no part of the claimed design.  
 The broken lines shown in the drawings are only provided to illustrate the environment of the design, and form no part of the claimed design.

**1 Claim, 4 Drawing Sheets**

(56) **References Cited**  
 U.S. PATENT DOCUMENTS  
 D194,990 S \* 4/1963 Thomasson ..... D26/123  
 D202,727 S 11/1965 Hahn  
 6,587,618 B2 \* 7/2003 Raguin ..... G02B 6/322  
 385/33  
 D539,943 S \* 4/2007 Egawa ..... D26/24  
 D539,944 S \* 4/2007 Egawa ..... D26/24  
 7,315,503 B2 \* 1/2008 Cho ..... G02B 26/0841  
 369/112.26



(56)

**References Cited**

U.S. PATENT DOCUMENTS

D789,581 S	6/2017	Peard	
D819,258 S	5/2018	Jurik et al.	
10,057,451 B2 *	8/2018	Kim .....	G03B 15/14
D845,530 S *	4/2019	Yu .....	D26/63
2015/0092267 A1 *	4/2015	Park .....	G02B 27/2214 359/463
2015/0131034 A1 *	5/2015	Cho .....	G02B 3/0018 349/95
2016/0195237 A1 *	7/2016	Quadri .....	F21V 5/007 362/232
2016/0204087 A1 *	7/2016	Zhang .....	H01L 25/0753 438/27

\* cited by examiner

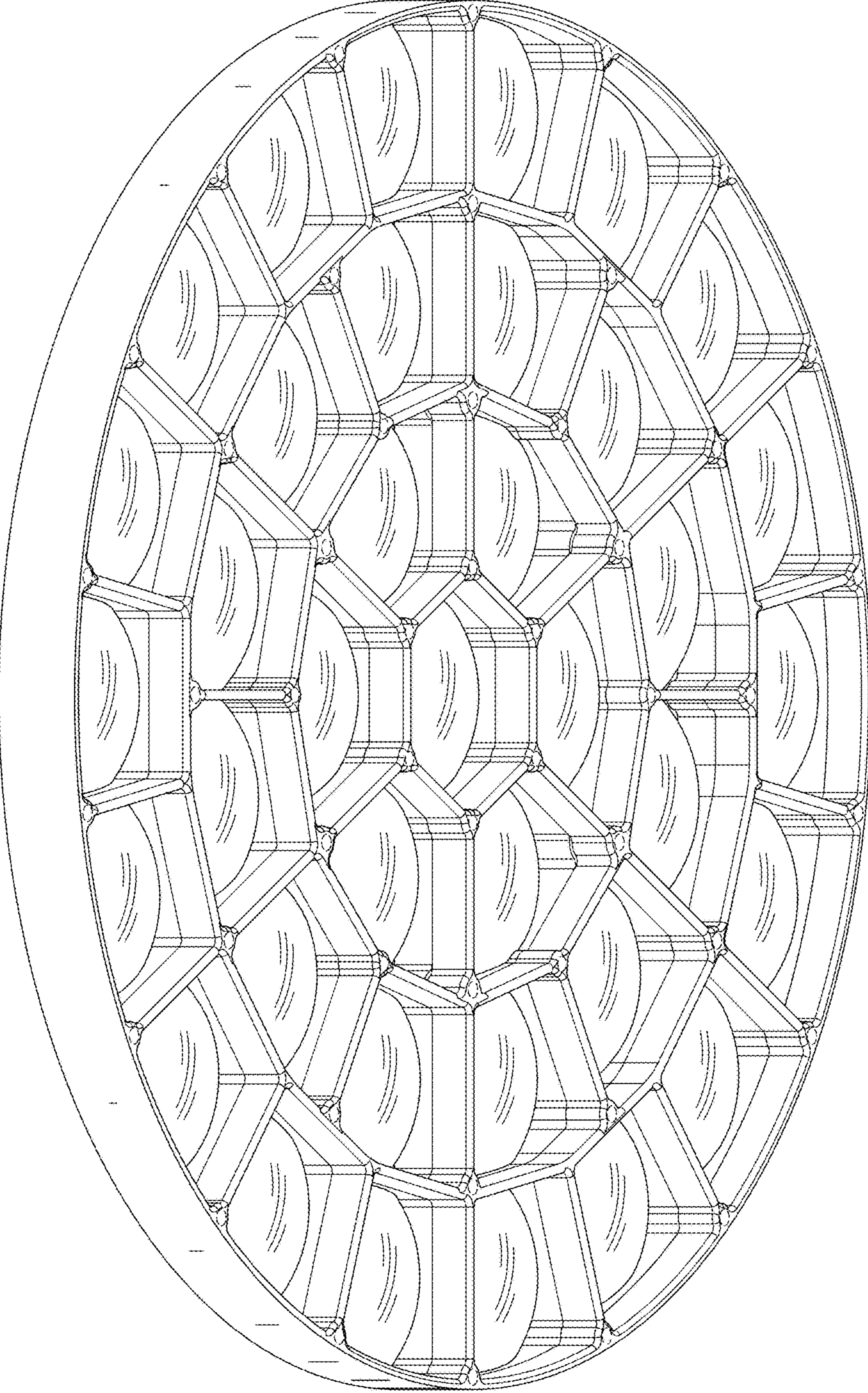


FIG. 1

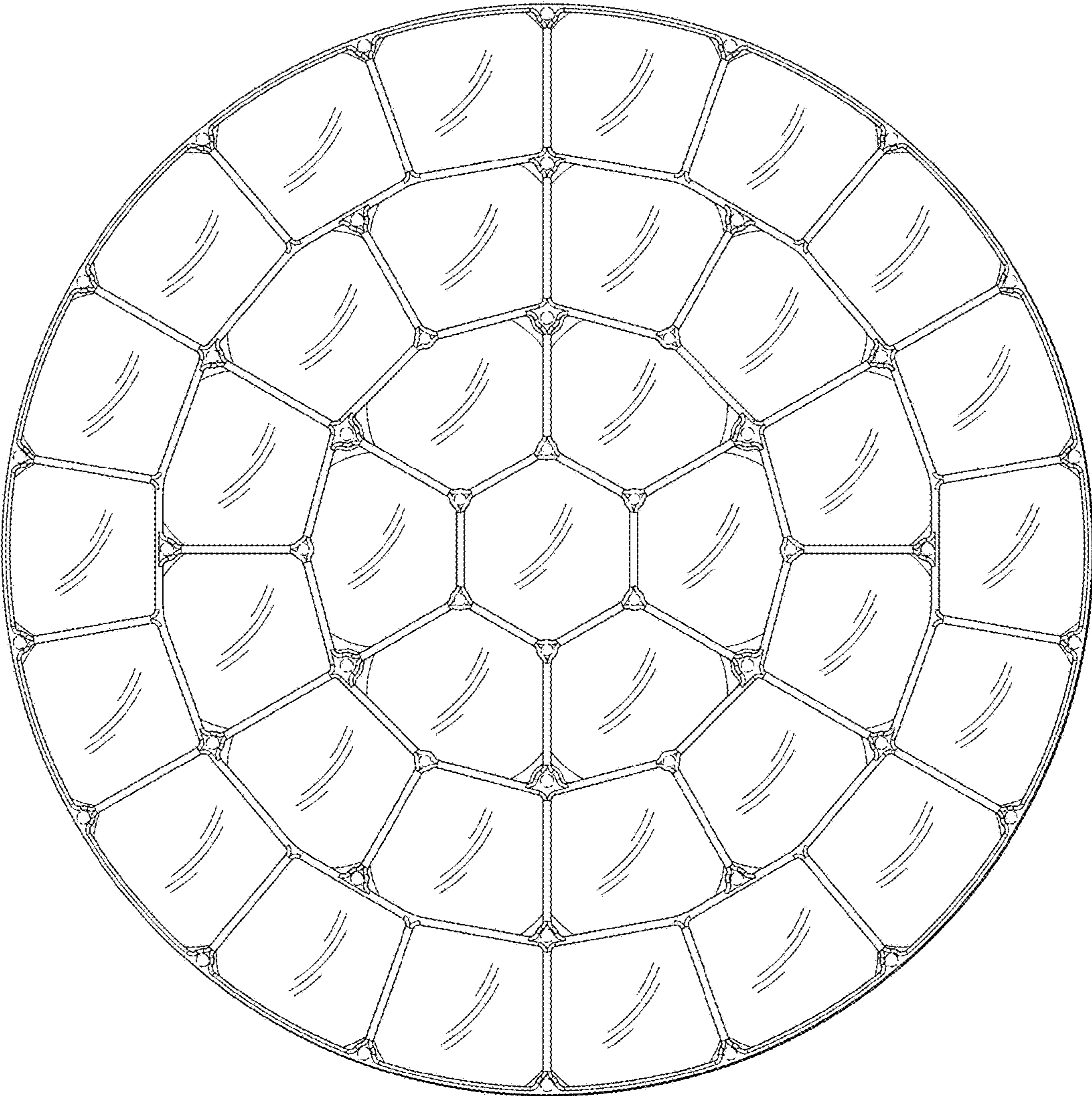


FIG. 2



FIG. 3

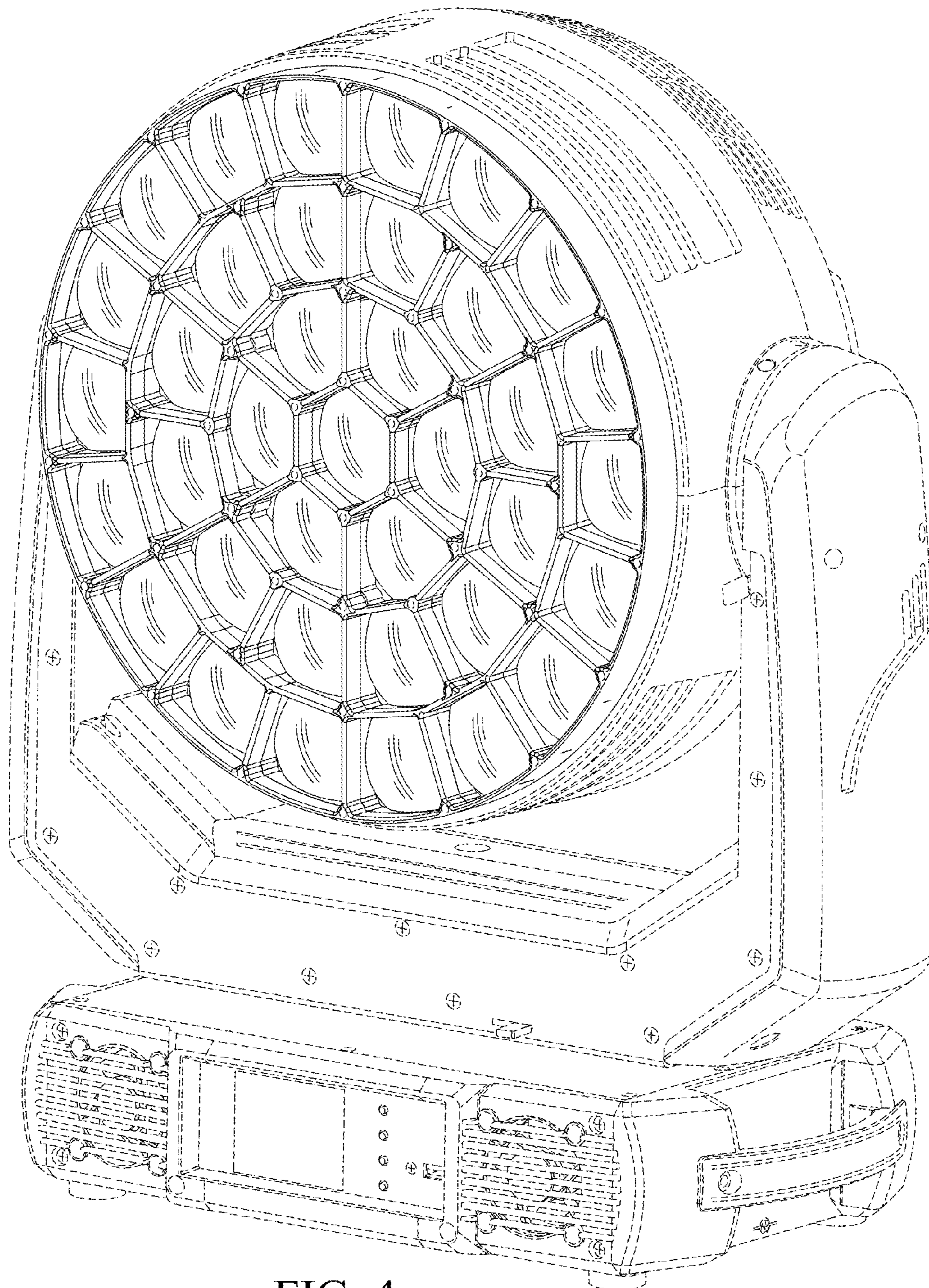


FIG. 4