

US00D861231S

(12) **United States Design Patent** (10) **Patent No.:** **US D861,231 S**
Cai (45) **Date of Patent:** **** Sep. 24, 2019**

(54) **CORNER REFLECTOR**

(71) Applicant: **AUTEL INTELLIGENT TECHNOLOGY CORP., LTD.**,
Shenzhen, Guangdong (CN)

(72) Inventor: **Zhenyu Cai**, Guangdong (CN)

(73) Assignee: **AUTEL INTELLIGENT TECHNOLOGY CORP., LTD.**,
Shenzhen, Guangdong (CN)

(**) Term: **15 Years**

(21) Appl. No.: **29/653,061**

(22) Filed: **Jun. 12, 2018**

(30) **Foreign Application Priority Data**

Dec. 14, 2017 (CN) 2017 3 0638879

(51) **LOC (12) Cl.** **26-99**

(52) **U.S. Cl.**
USPC **D26/113**

(58) **Field of Classification Search**
USPC ... D26/9, 10, 12, 13, 15, 16, 24, 51, 61, 72,
D26/76, 80, 81, 85, 86, 88, 90, 113, 118,
D26/119, 120, 122, 128, 129, 138, 143,
D26/144
CPC ... F21L 19/00; F21S 8/026; F21S 8/04; F21V
29/004; F21V 29/2212; F21V 21/02;
F21V 21/04; F21V 7/00; F21V 7/22;
F23D 11/443

See application file for complete search history.

(56) **References Cited**

U.S. PATENT DOCUMENTS

D286,989	S	*	12/1986	Akiyama	D10/114.8
D439,008	S	*	3/2001	Kim	D26/118
D465,860	S	*	11/2002	Huang	D26/139
D490,925	S	*	6/2004	Wilmotte	D26/63
D604,450	S	*	11/2009	Blumer	D26/118
D650,515	S	*	12/2011	Bradley, Jr.	D26/118
D749,775	S	*	2/2016	Provitola	D26/118

* cited by examiner

Primary Examiner — Zenia I Bennett

(74) *Attorney, Agent, or Firm* — Ladas & Parry LLP

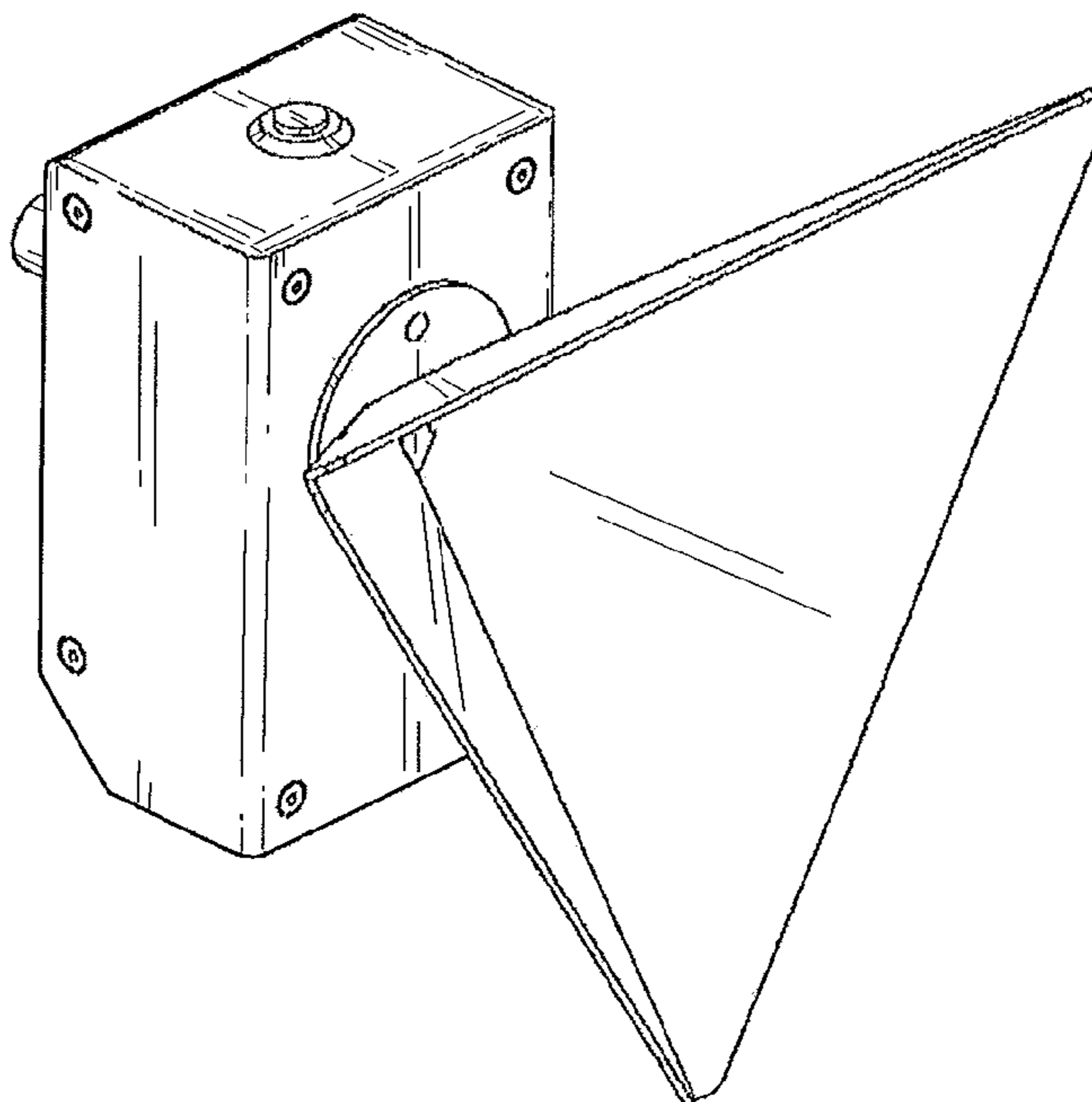
(57) **CLAIM**

The ornamental design for a corner reflector, as shown and described.

DESCRIPTION

FIG. 1 is a perspective view of the corner reflector showing our new design;
FIG. 2 is another perspective view thereof;
FIG. 3 is a front elevational view thereof;
FIG. 4 is a rear elevational view thereof;
FIG. 5 is a left side elevational view thereof;
FIG. 6 is a right side elevational view thereof;
FIG. 7 is a top plan view thereof; and,
FIG. 8 is a bottom plan view thereof.

1 Claim, 8 Drawing Sheets



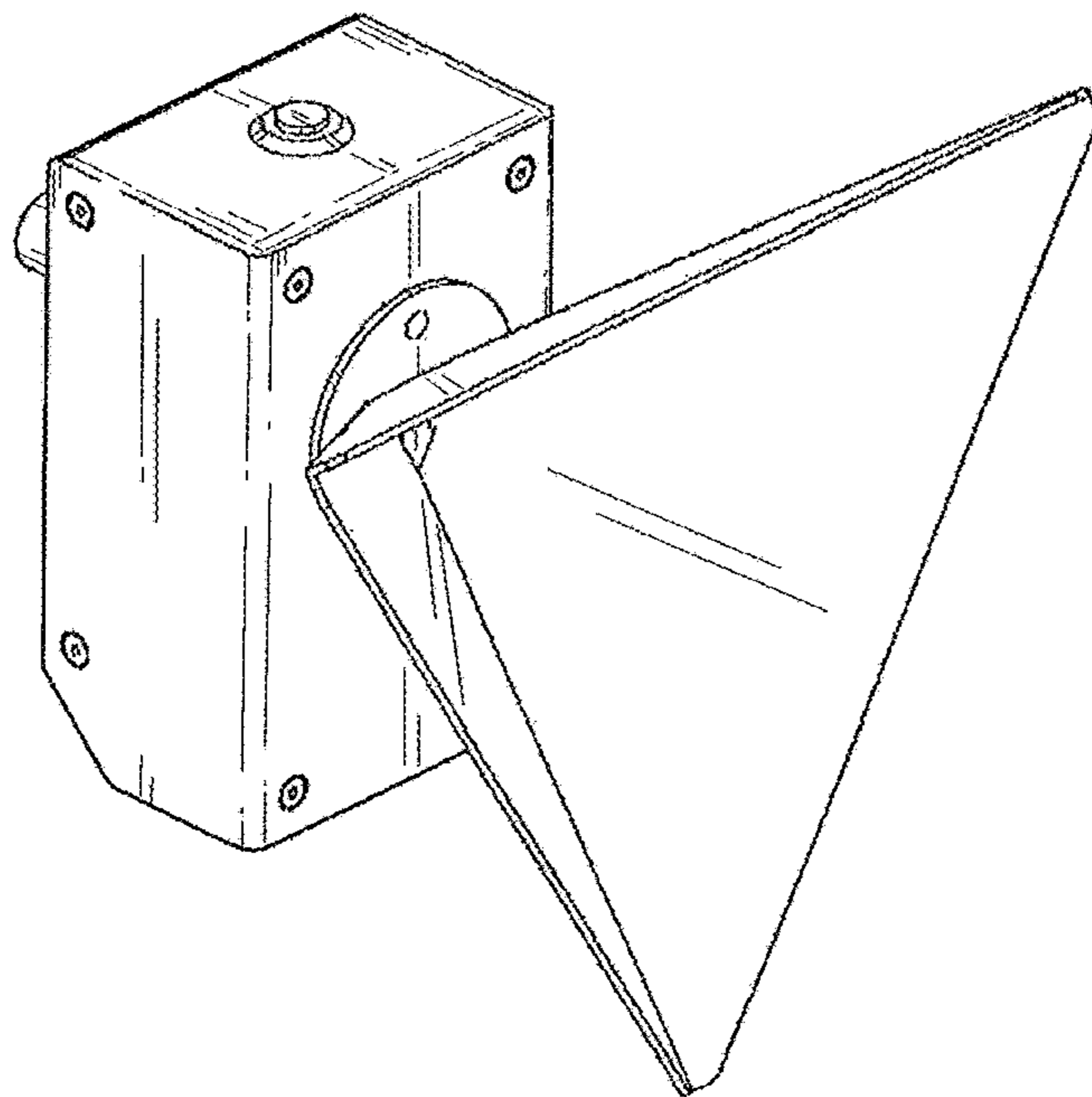


FIG. 1

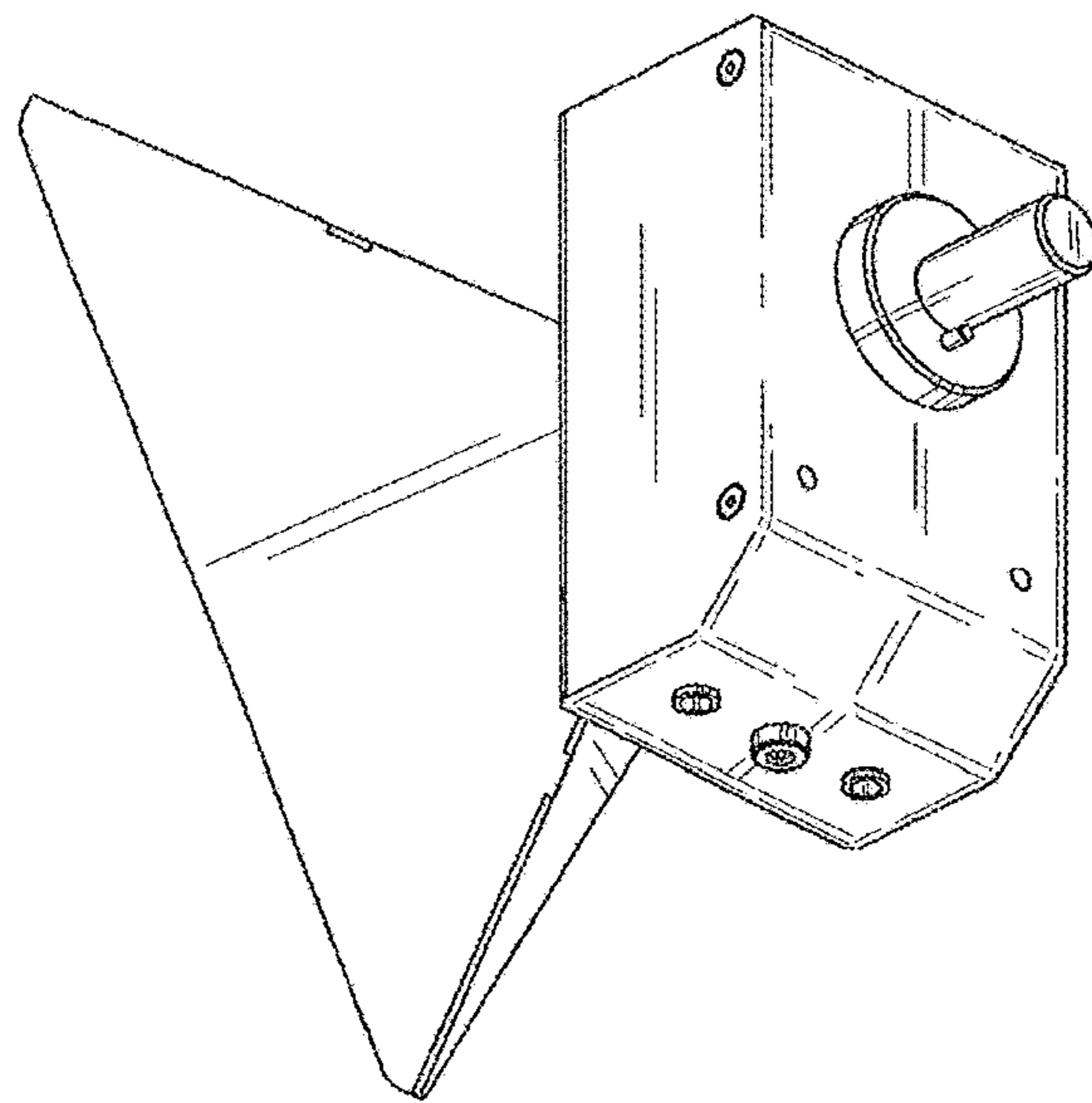


FIG. 2

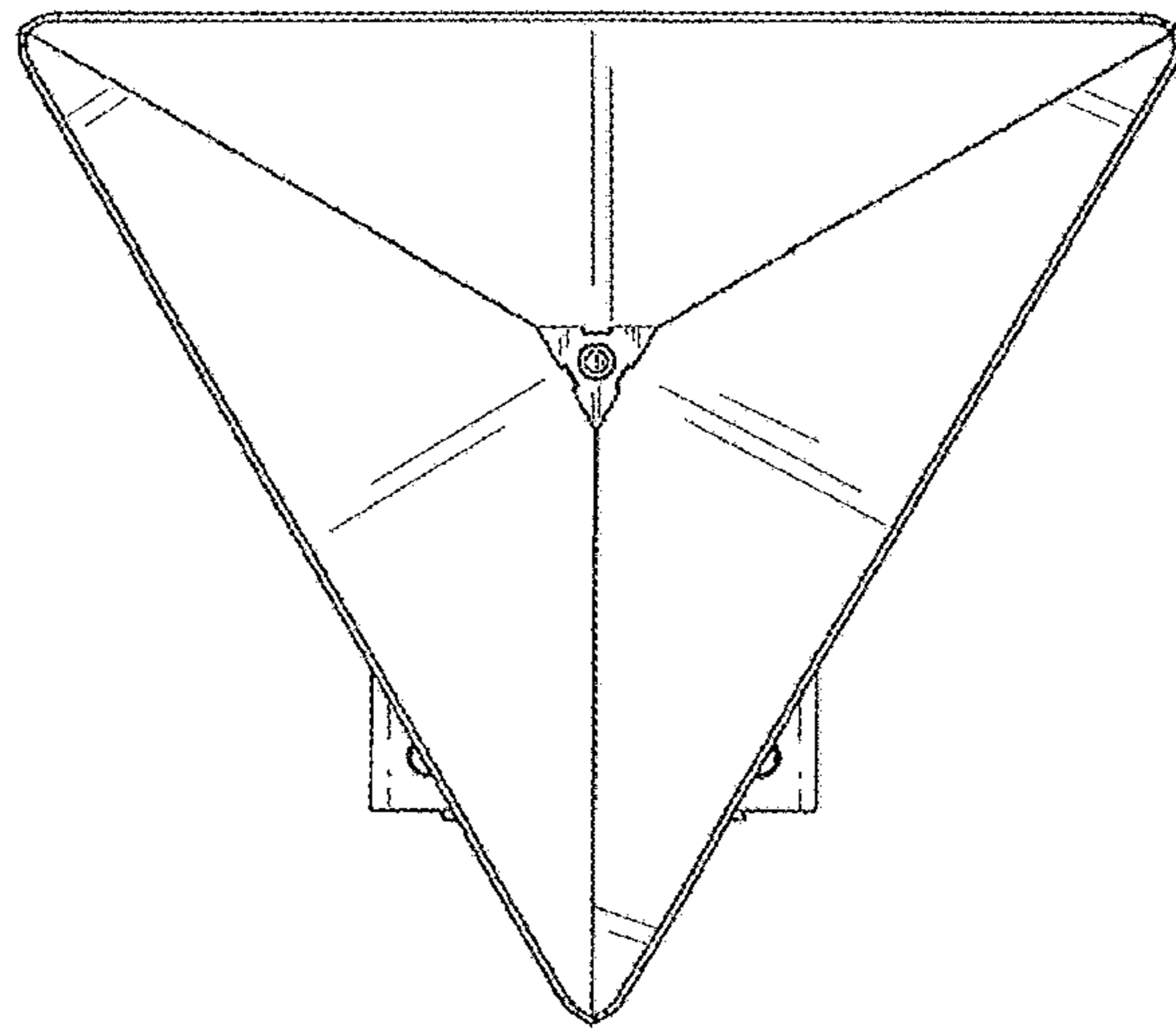


FIG. 3

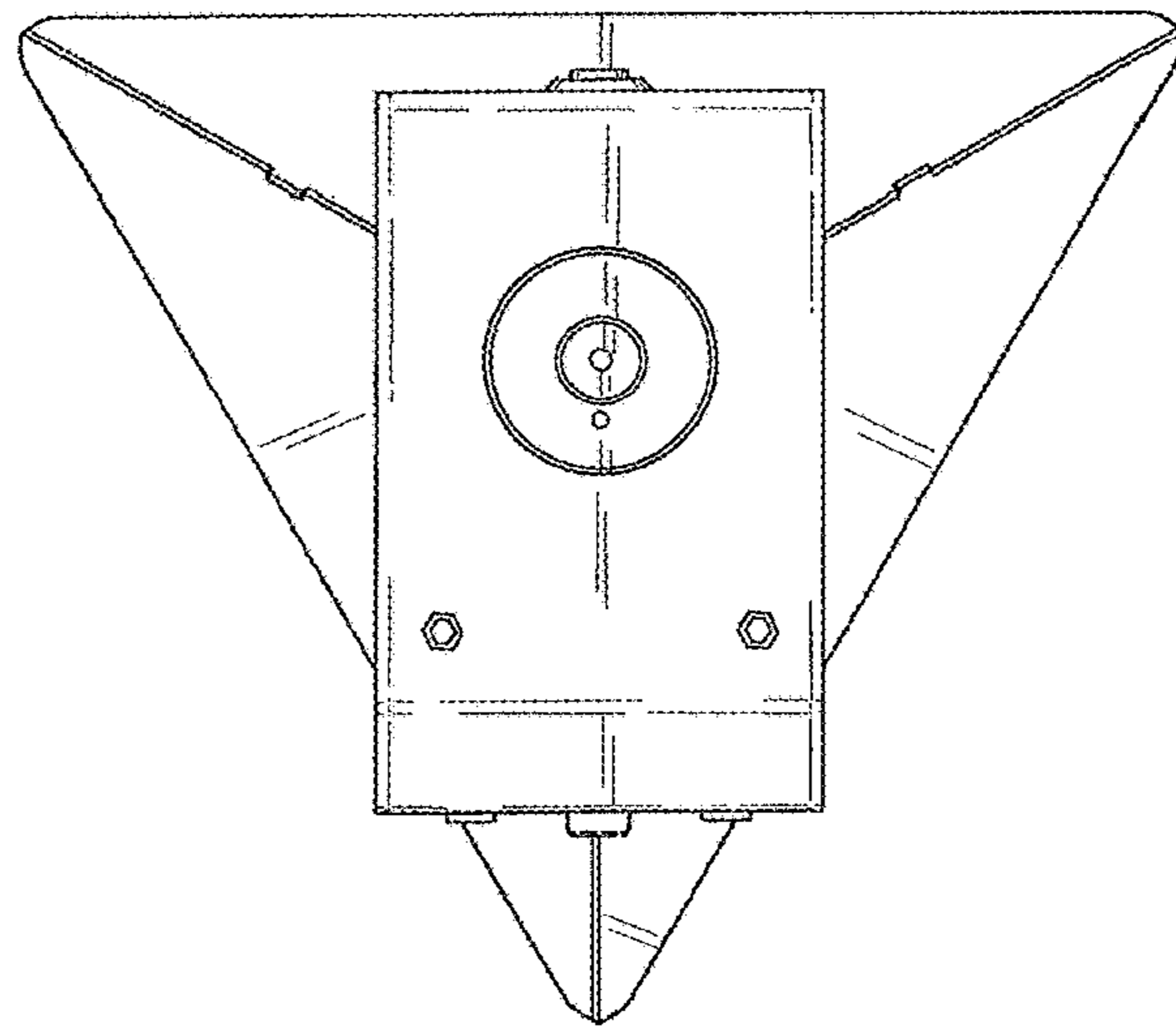


FIG. 4

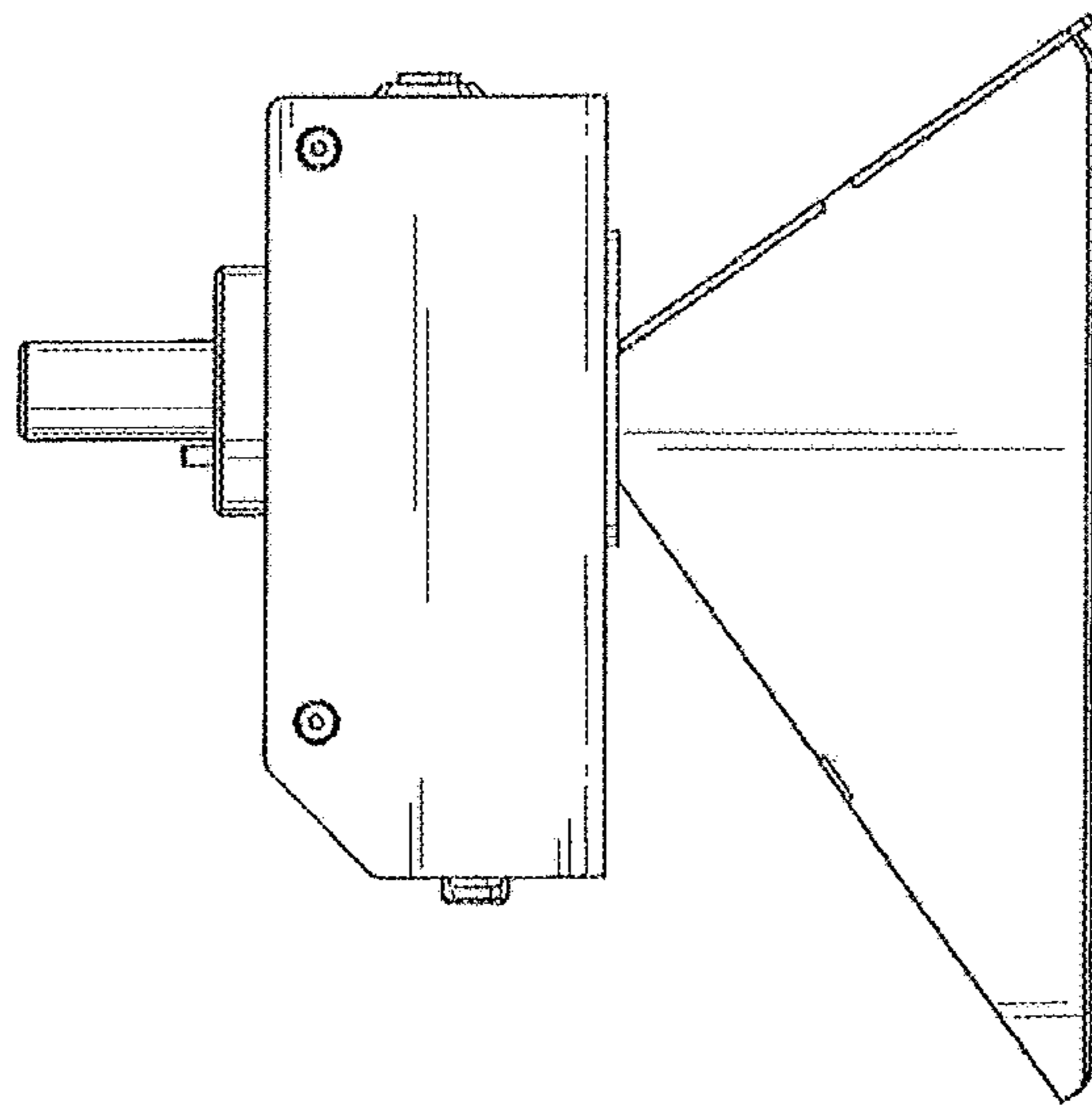


FIG. 5

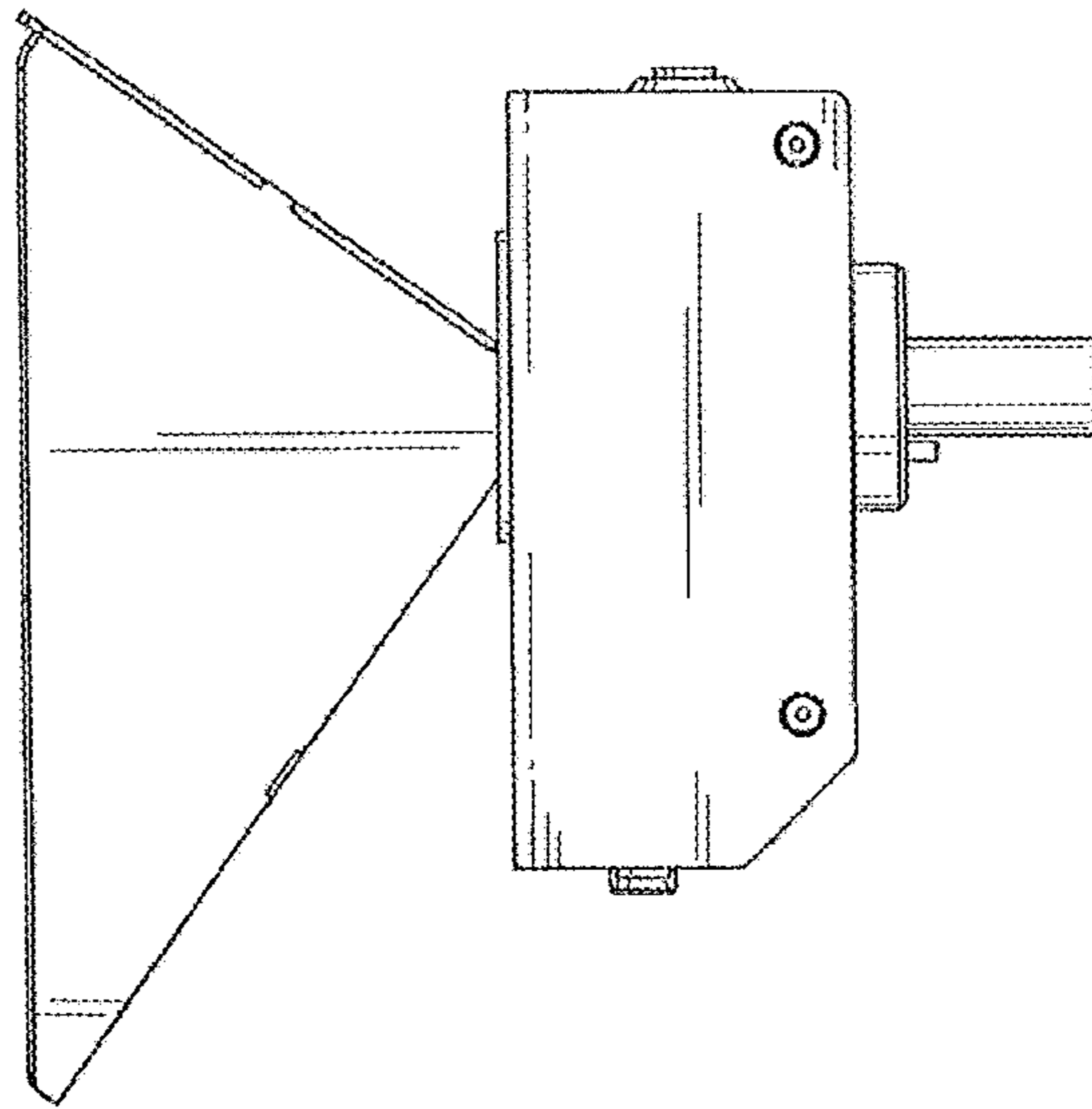


FIG. 6

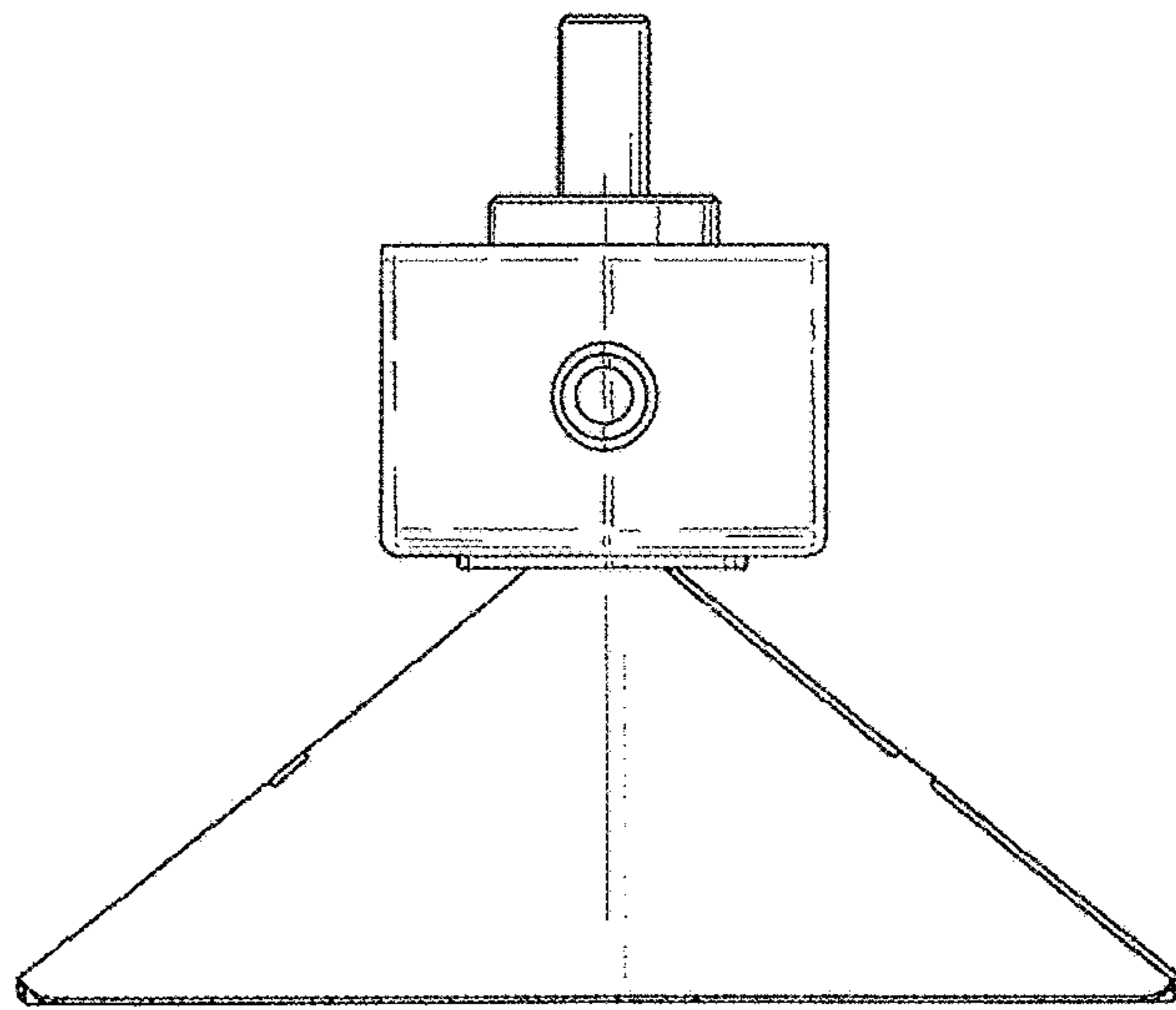


FIG. 7

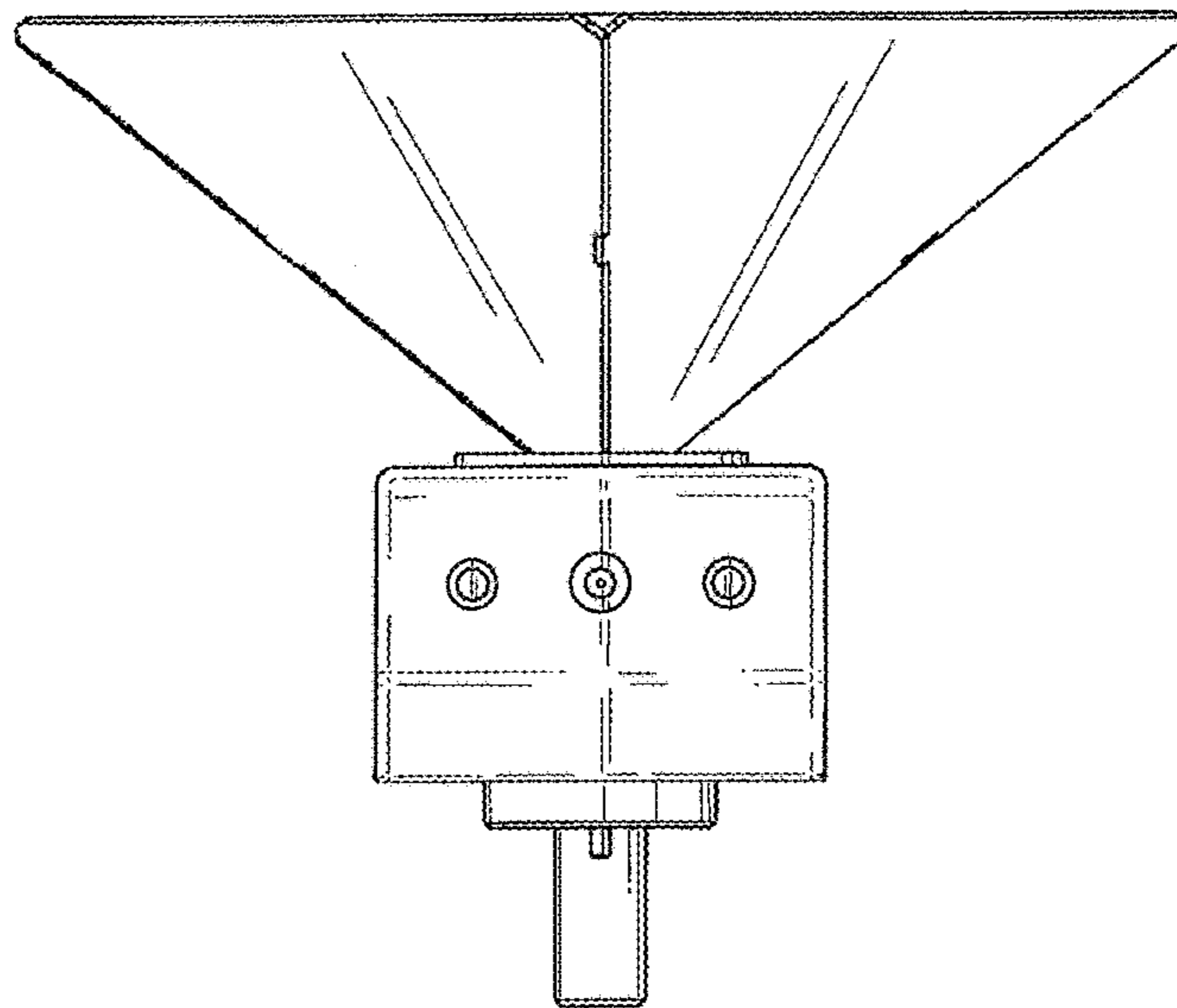


FIG. 8