

US00D861230S

(12) **United States Design Patent** (10) **Patent No.:** **US D861,230 S**
Yeh (45) **Date of Patent:** **** Sep. 24, 2019**

(54) **FLOOR LAMP WITH JELLYFISH SHADE**

(71) Applicant: **E-Ko Image, Inc.**, Chino Hills, CA (US)

(72) Inventor: **John Yeh**, Chino Hills, CA (US)

(73) Assignee: **Artiva**, Chino, CA (US)

(**) Term: **15 Years**

(21) Appl. No.: **29/637,265**

(22) Filed: **Feb. 15, 2018**

(51) **LOC (12) Cl.** **26-03**

(52) **U.S. Cl.**
USPC **D26/102**

(58) **Field of Classification Search**
USPC D26/1, 24, 93, 102, 104, 106, 107, 109,
D26/110, 62, 64, 68, 71
CPC F21S 6/00; F21S 6/043; F21S 8/08; F21V
21/00; F21V 21/02; F21W 2121/00;
F21W 2131/30

See application file for complete search history.

(56) **References Cited**

U.S. PATENT DOCUMENTS

D227,848 S * 7/1973 Schneider D26/102
D341,000 S 11/1993 Kraemer

D345,231 S * 3/1994 Kramer D26/102
D347,488 S * 5/1994 Kramer D26/102
D452,580 S 12/2001 Levy
D668,812 S 10/2012 Sprengers
D753,867 S * 4/2016 Yin D26/107
D819,856 S * 6/2018 Gelman D26/102

* cited by examiner

Primary Examiner — Brian N. Vinson

(74) *Attorney, Agent, or Firm* — Global Patent Agency;
Eric Gani

(57) **CLAIM**

The ornamental design for a floor lamp with jellyfish shade, as shown and described.

DESCRIPTION

FIG. 1 is a perspective view of the floor lamp according to my new design;
FIG. 2 is a front view thereof;
FIG. 3 is a rear view thereof;
FIG. 4 is a right side view thereof;
FIG. 5 is a left side view thereof;
FIG. 6 is a top view thereof; and,
FIG. 7 is a bottom view thereof.

1 Claim, 7 Drawing Sheets

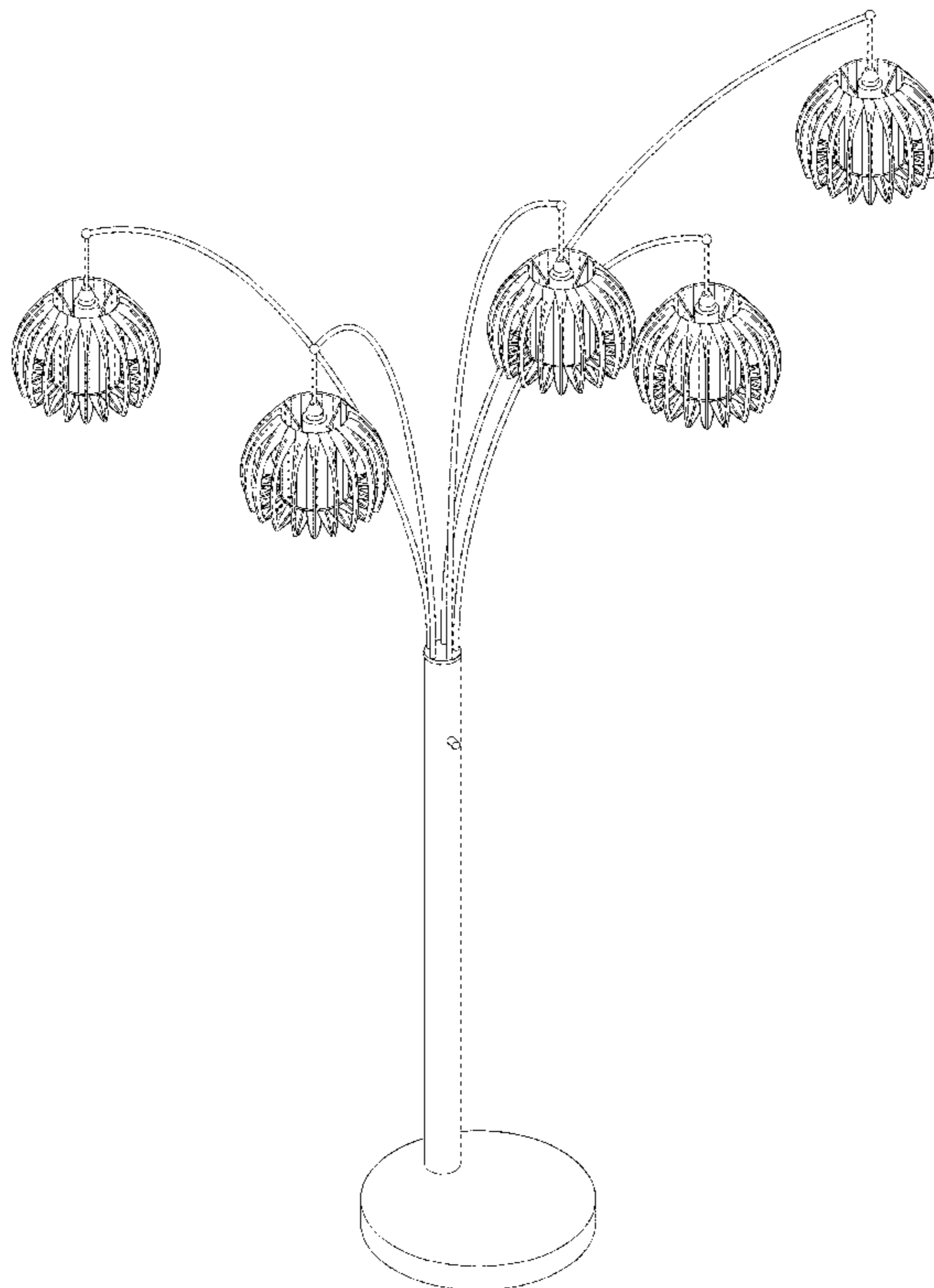




FIG. 1

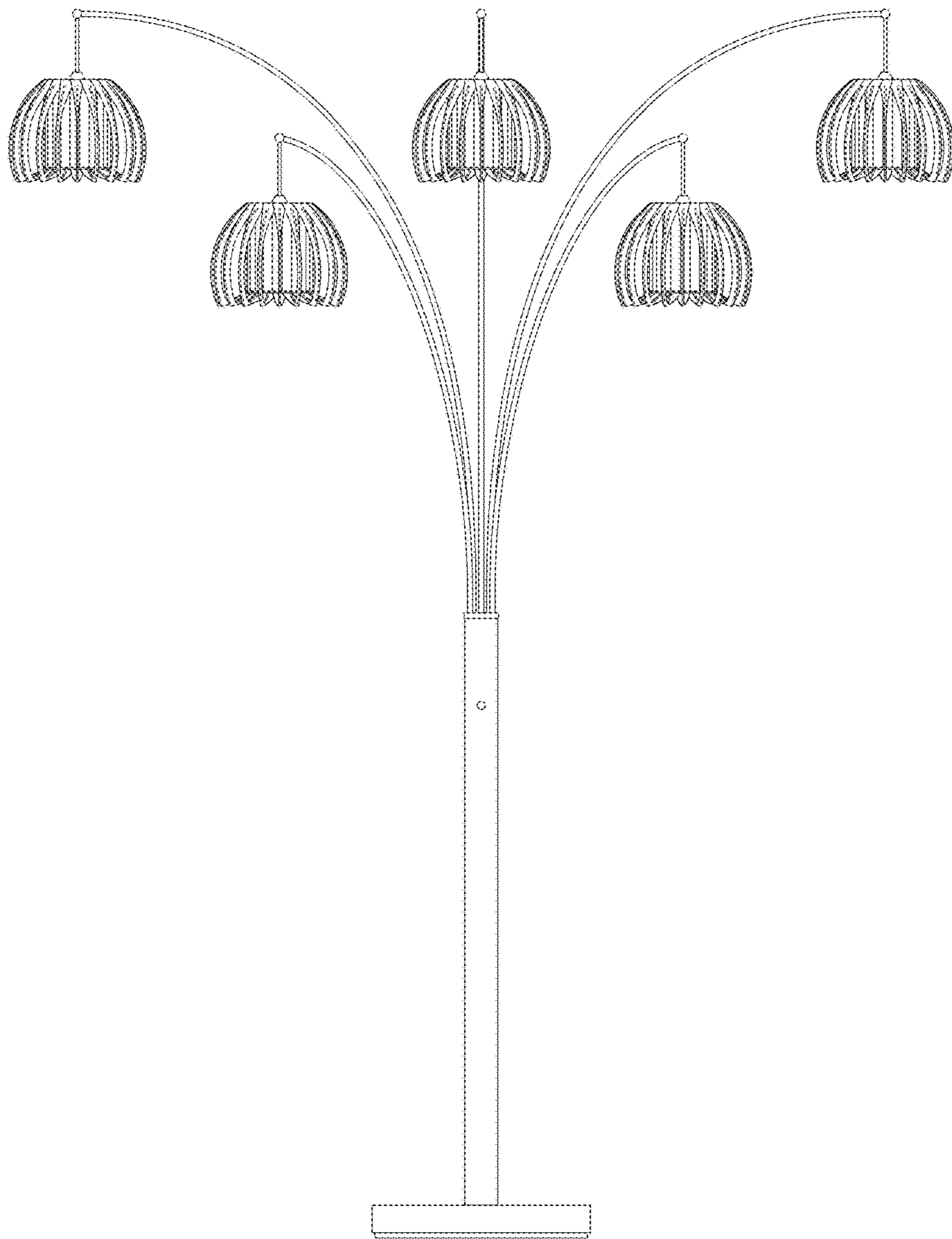


FIG. 2

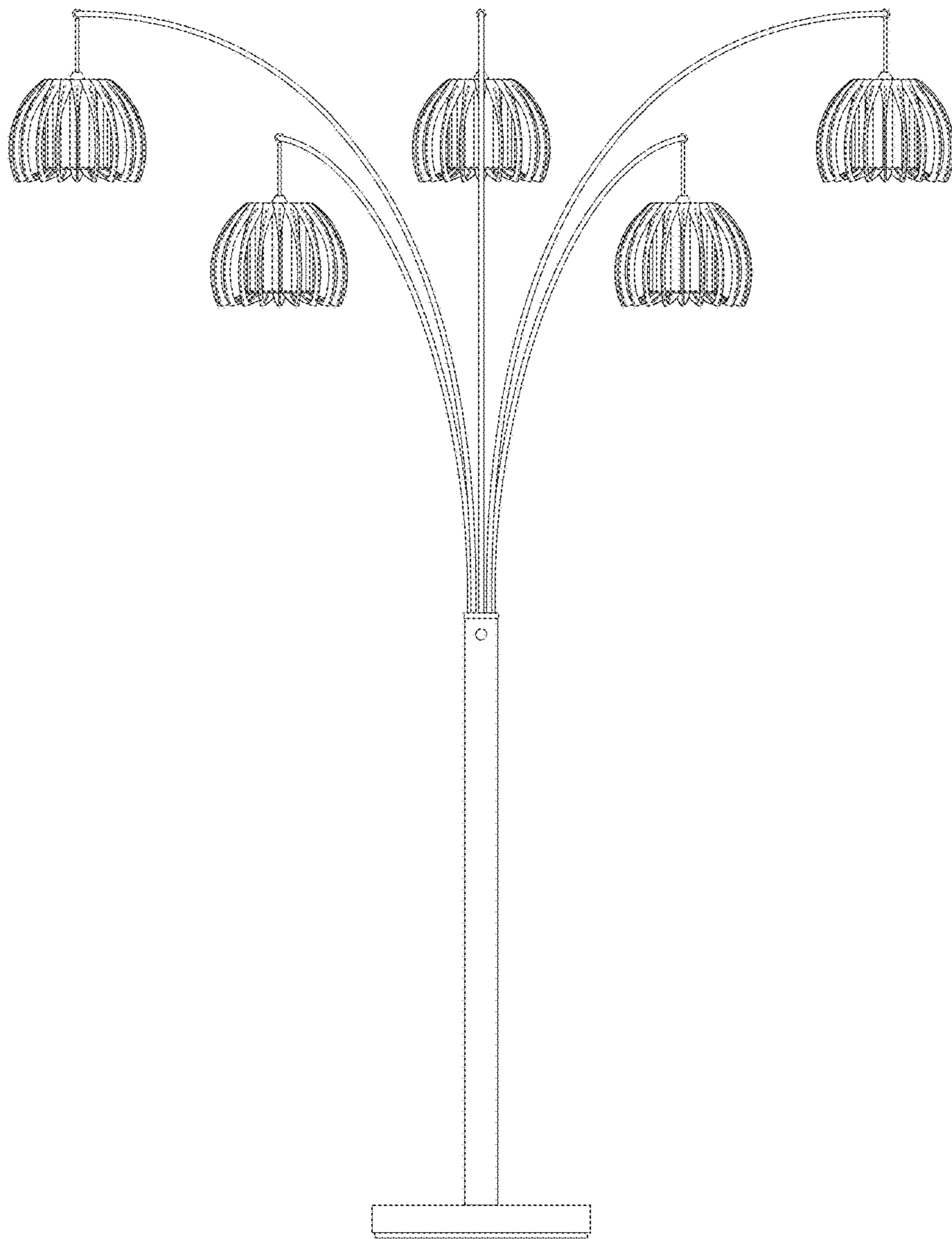


FIG. 3

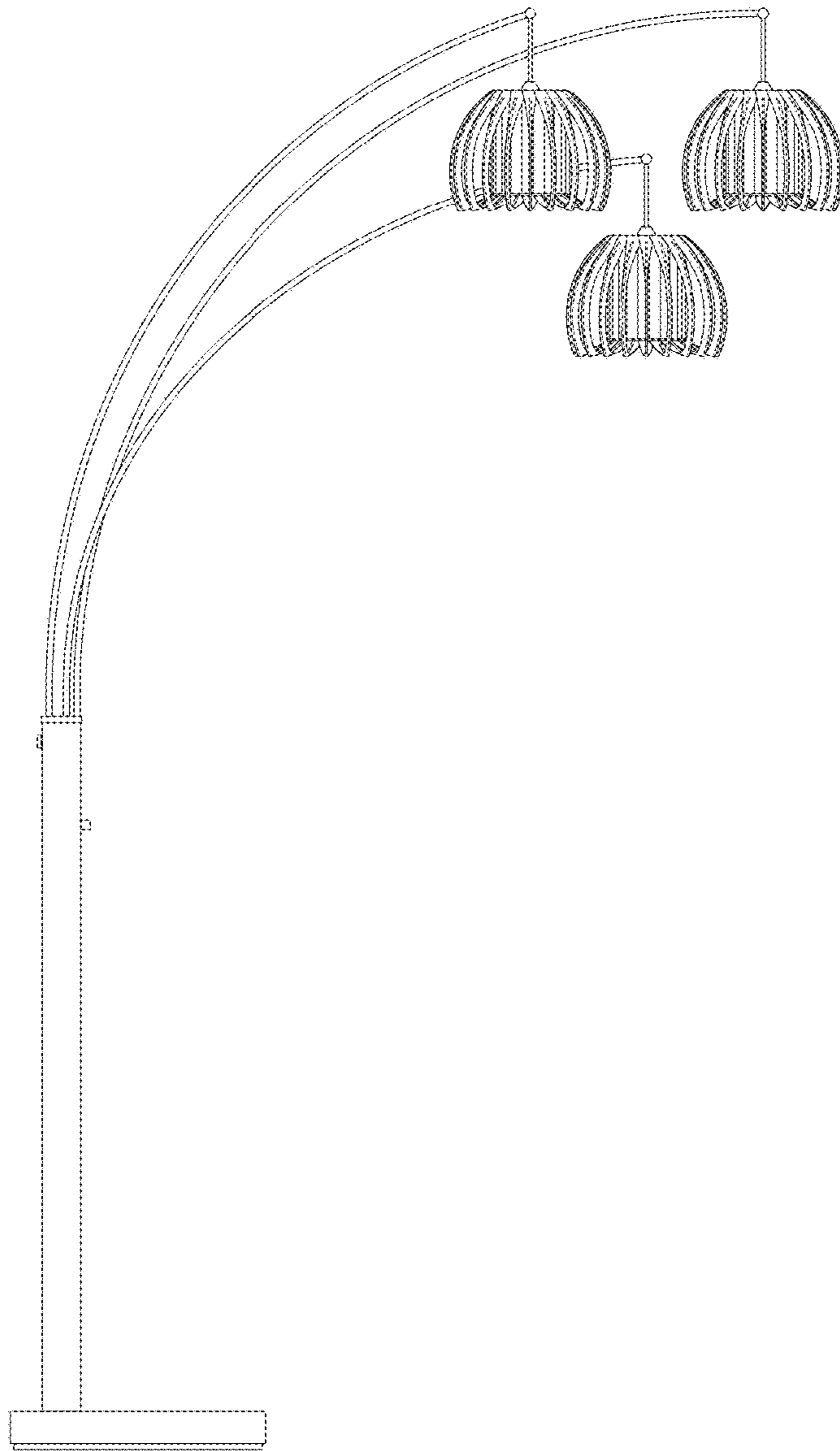


FIG. 4

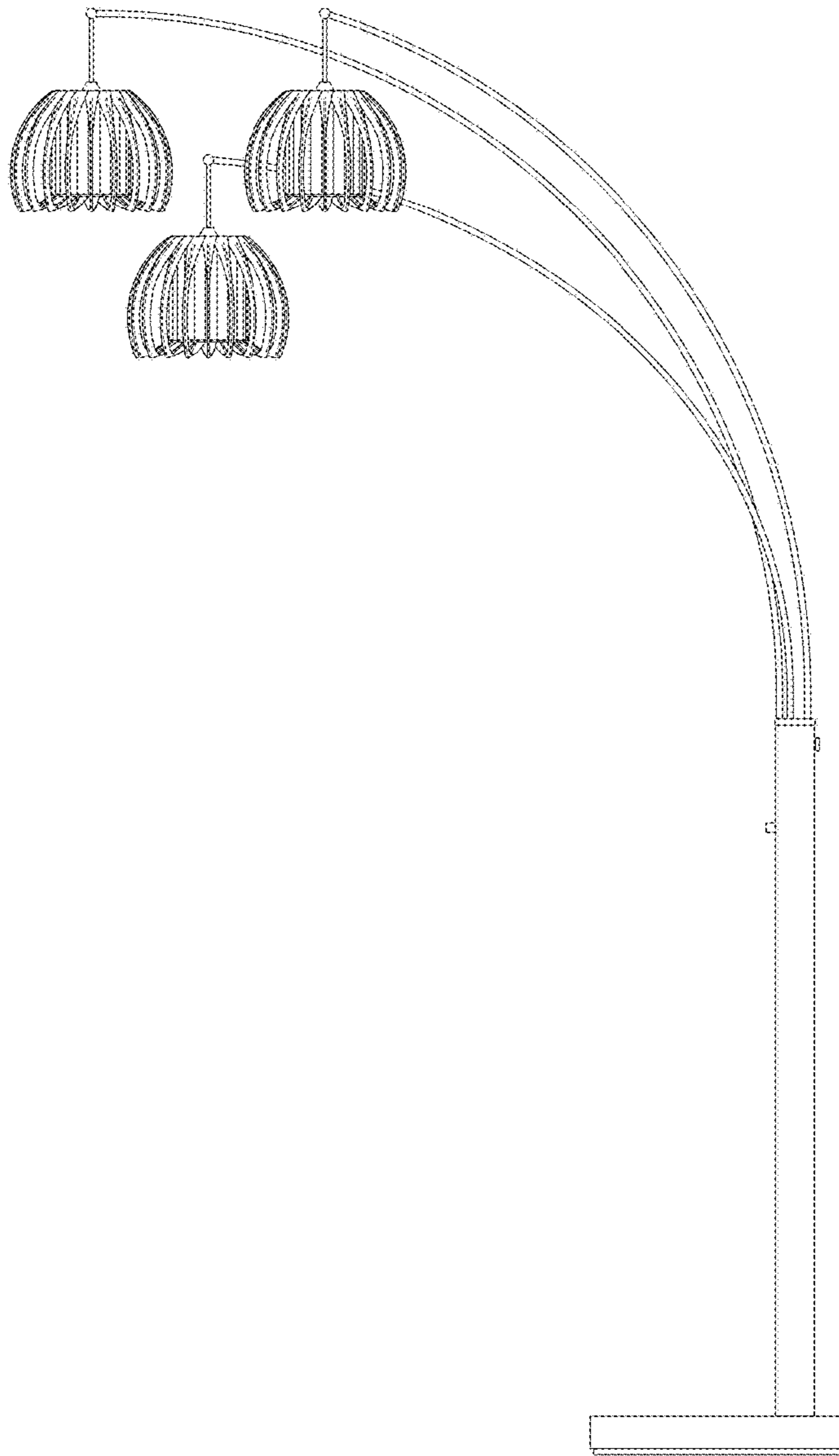


FIG. 5

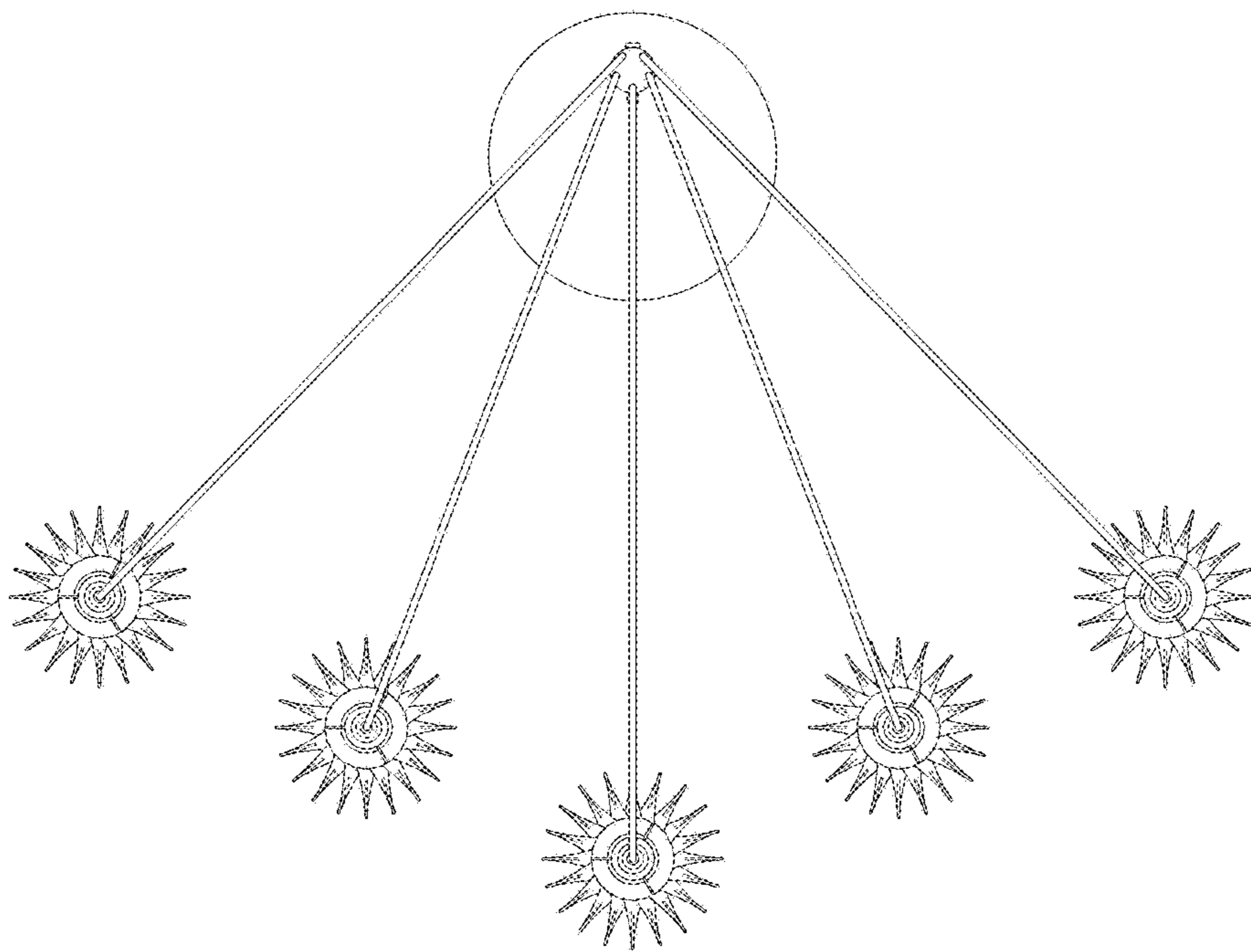


FIG. 6

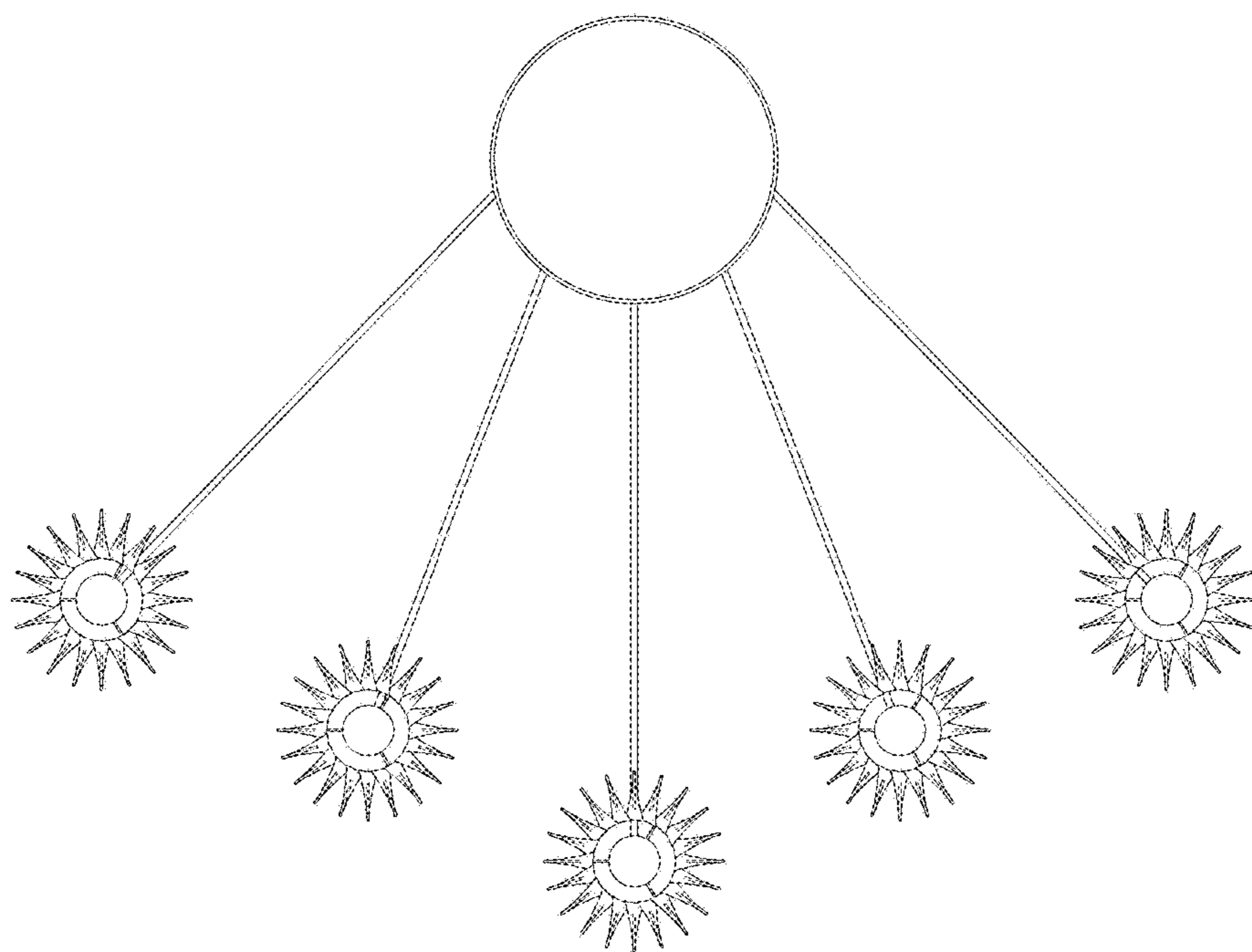


FIG. 7