



US00D861229S

(12) **United States Design Patent** (10) **Patent No.:** **US D861,229 S**
Wu et al. (45) **Date of Patent:** **** Sep. 24, 2019**

(54) **ELECTRONIC CANDLE DEVICE WITH SIMULATIVE FLAME HEAD**

D759,881 S * 6/2016 Mausser D26/96
D779,108 S * 2/2017 Olsen D26/96
D812,285 S * 3/2018 Patton D26/96
D841,225 S * 2/2019 Liu F21V 3/02
D26/96
D844,215 S * 3/2019 Chen D26/96

(71) Applicant: **GUANGDONG LIGHTING SILK ROADS CULTURAL DEVELOPMENT CO., LTD,**
Guangzhou, Guangdong (CN)

* cited by examiner

(72) Inventors: **Wenfeng Wu**, Guangdong (CN);
Haicheng Cai, Guangdong (CN); **Wei Wang**, Guangdong (CN)

Primary Examiner — Brian N. Vinson

(73) Assignee: **GUANGDONG LIGHTING SILK ROADS CULTURAL DEVELOPMENT CO., LTD,**
Guangzhou (CN)

(57) **CLAIM**

The ornamental design for an electronic candle device with simulative flame head, as shown and described.

(**) Term: **15 Years**

(21) Appl. No.: **29/632,907**

DESCRIPTION

(22) Filed: **Jan. 10, 2018**

(51) **LOC (12) Cl.** **26-03**

(52) **U.S. Cl.**
USPC **D26/96**

(58) **Field of Classification Search**
USPC D26/4, 5, 6, 7, 9, 96
CPC F21S 6/00; F21S 6/001; F21S 10/04; F21S 10/10; F21S 10/043; F21S 8/08; F21S 48/115; F21V 21/00; F21V 35/00; F21V 3/02; F21W 2121/00; C11C 5/002; C11C 5/004; H01J 61/96

See application file for complete search history.

FIG. 1 is a first perspective view of an electronic candle device with simulative flame head showing our new design;
FIG. 2 is a second perspective view thereof;
FIG. 3 is a third perspective view thereof;
FIG. 4 is a front elevational view thereof;
FIG. 5 is a rear elevational view thereof;
FIG. 6 is a left side view thereof;
FIG. 7 is a right side view thereof;
FIG. 8 is a top plan view thereof; and,
FIG. 9 is a bottom plan view thereof.

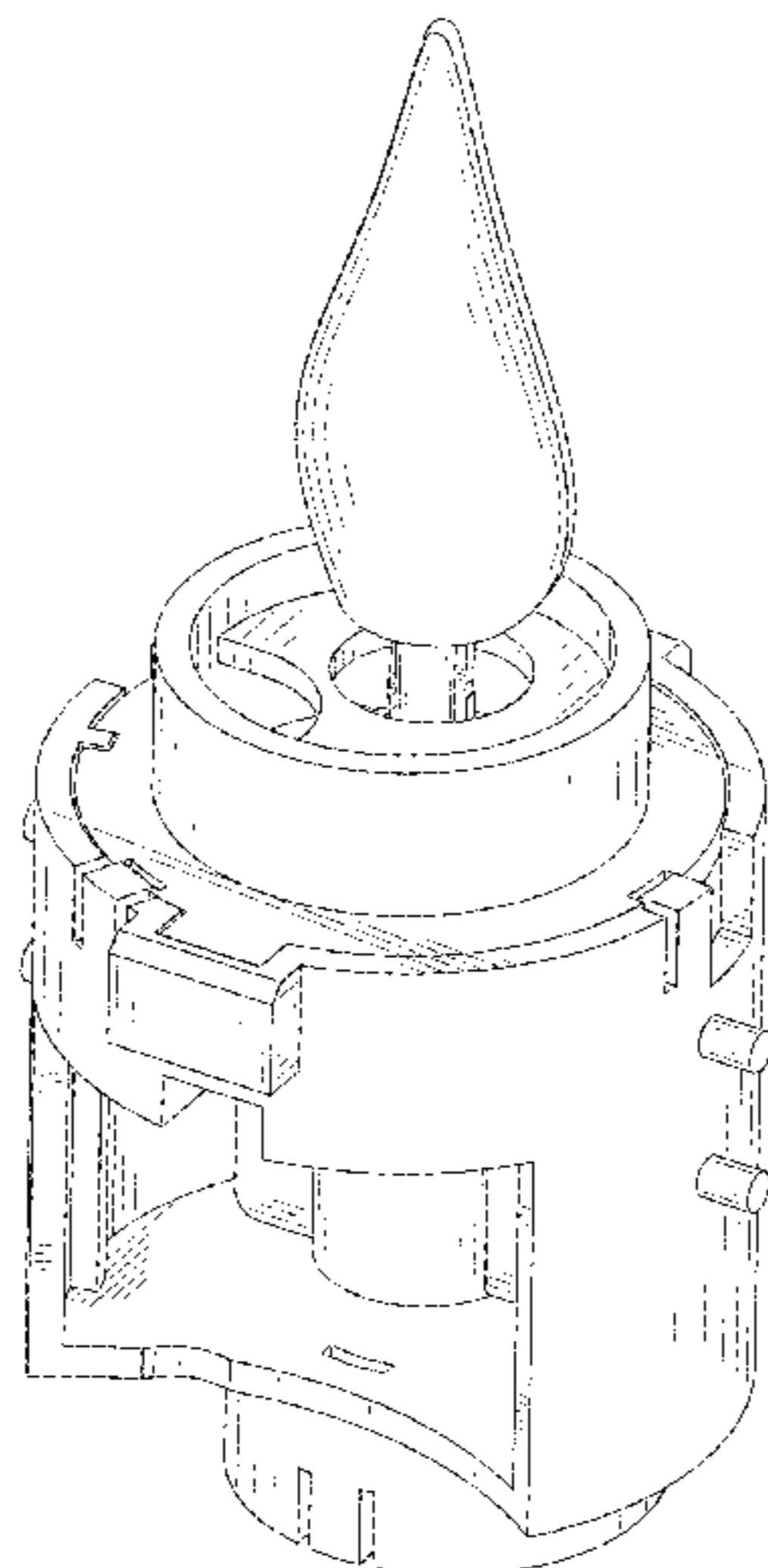
The broken lines in the drawings illustrate portions of the electronic candle device with simulative flame head which form no part of the claimed design.

(56) **References Cited**

U.S. PATENT DOCUMENTS

2,344,160 A * 3/1944 Meese H01J 61/96
362/228
D299,556 S * 1/1989 Marshbanks D26/96
D545,458 S * 6/2007 Jensen D26/96
D569,541 S * 5/2008 Shiu D26/96

1 Claim, 9 Drawing Sheets



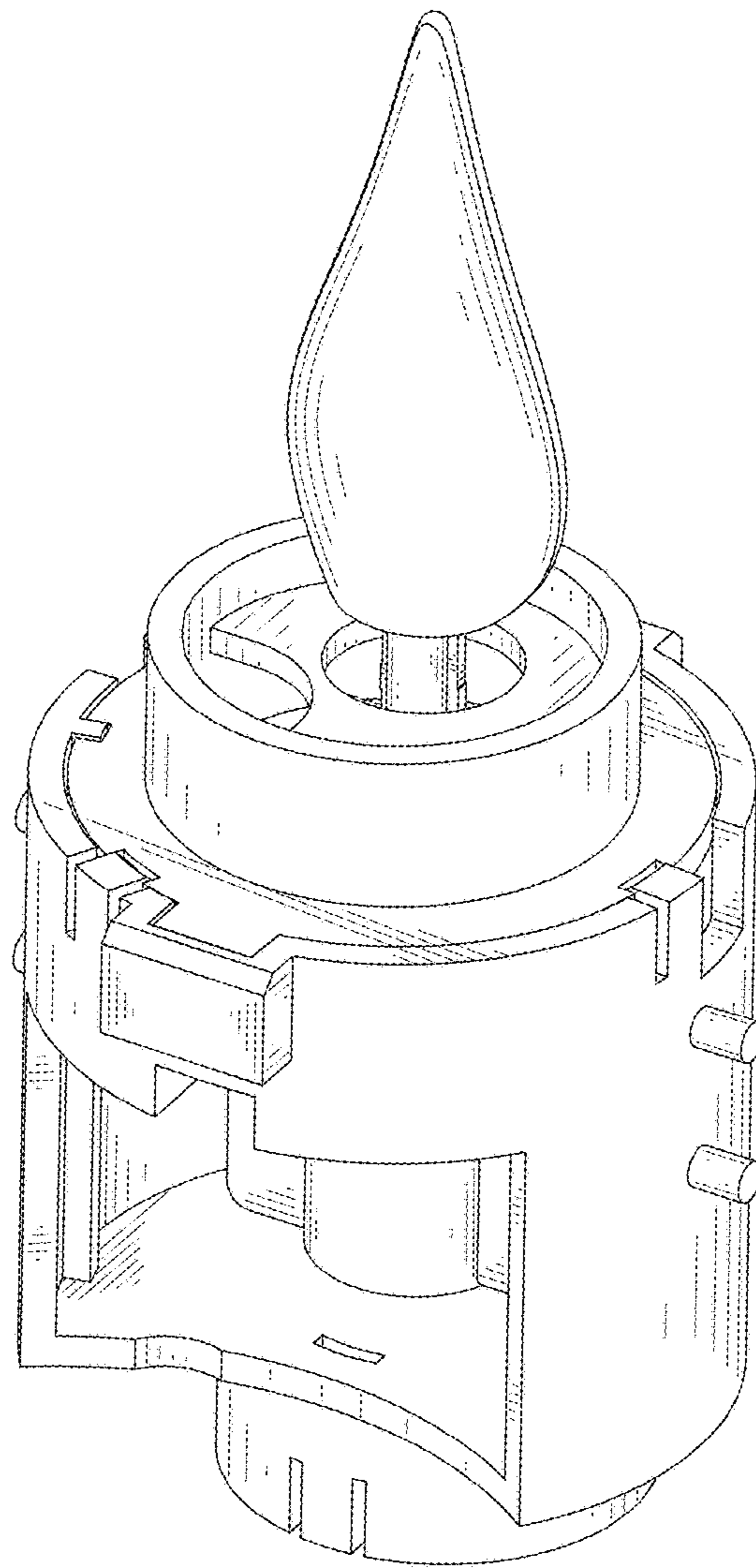


FIG. 1

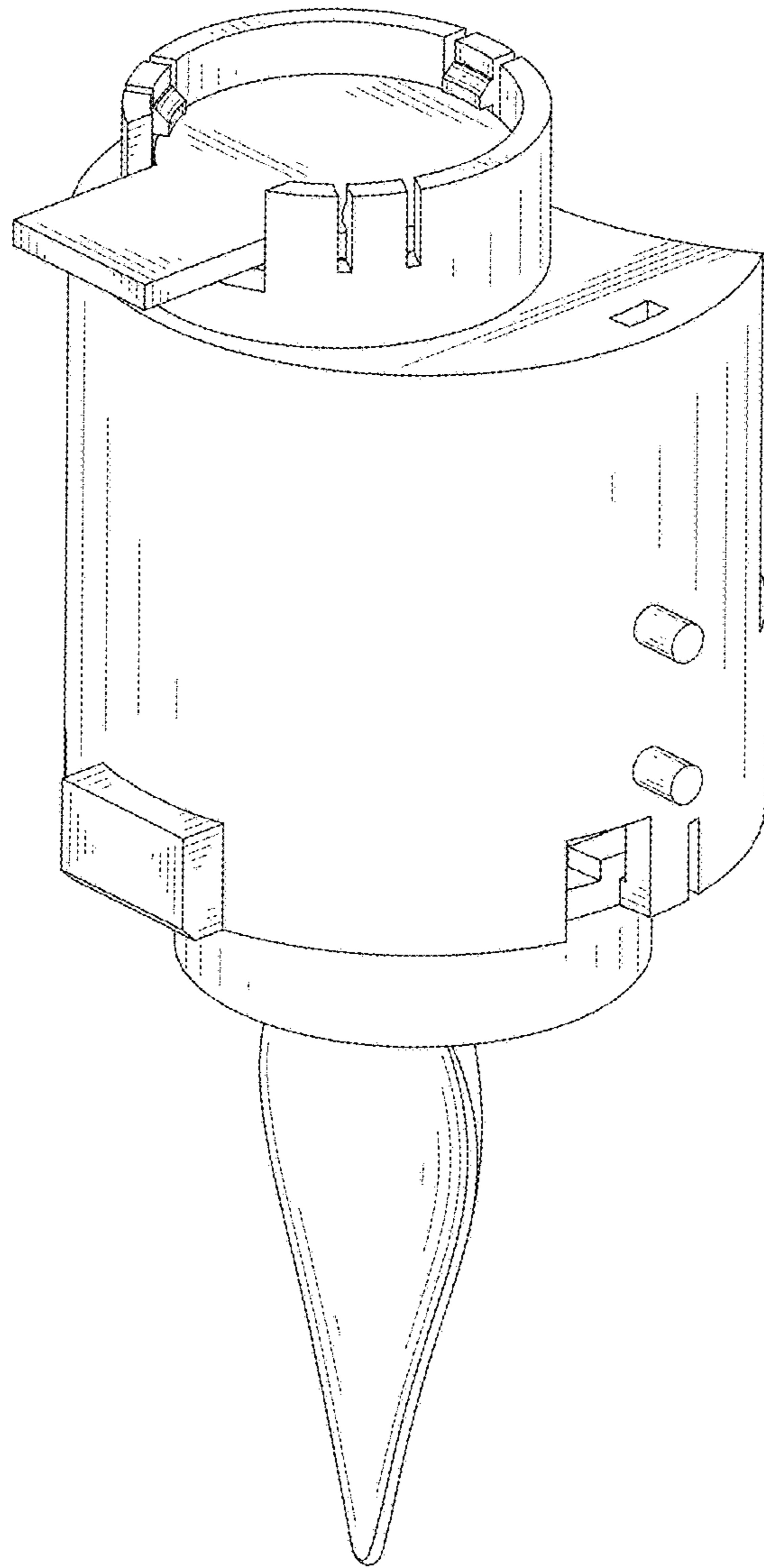


FIG. 2

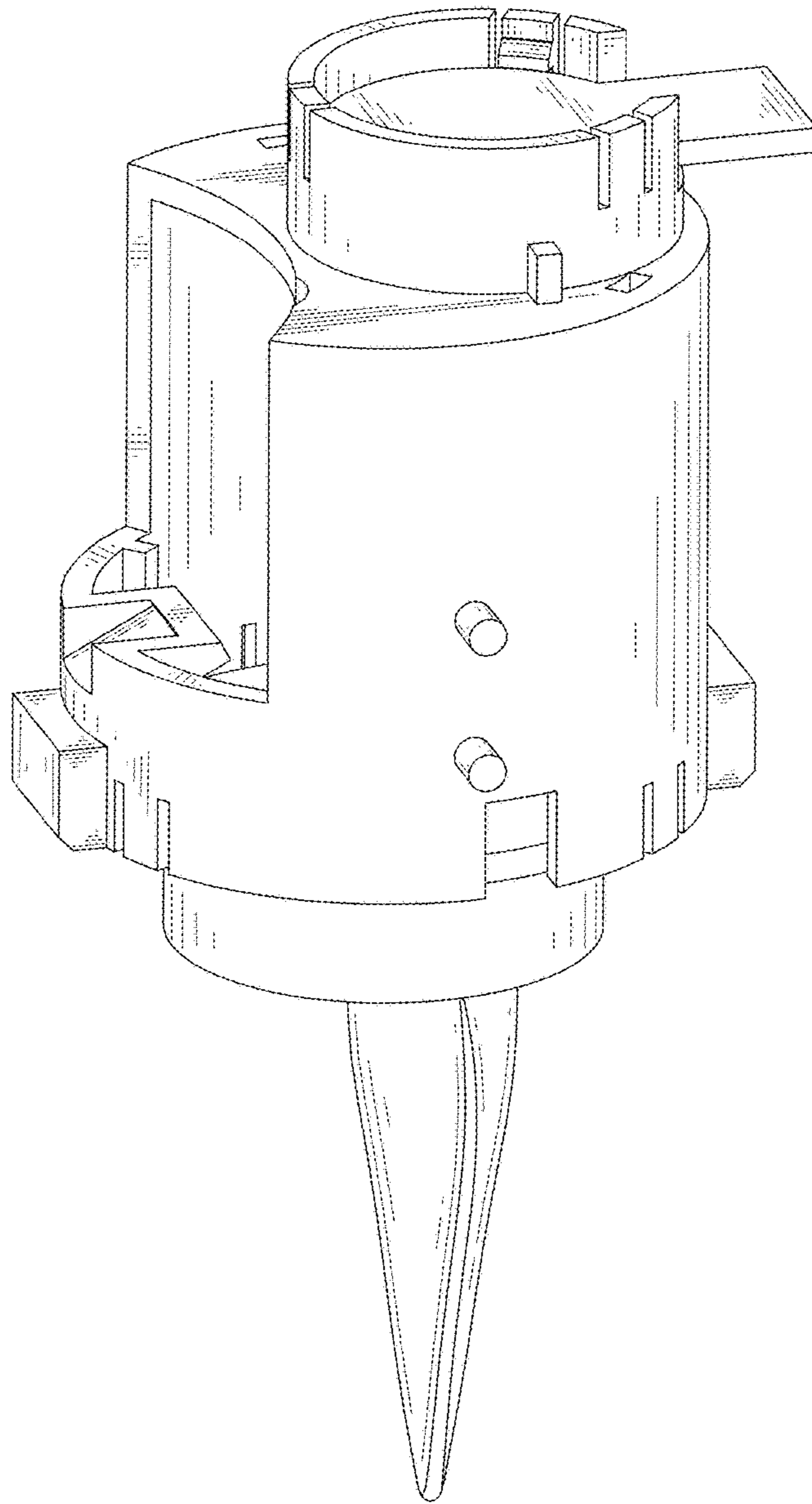


FIG. 3

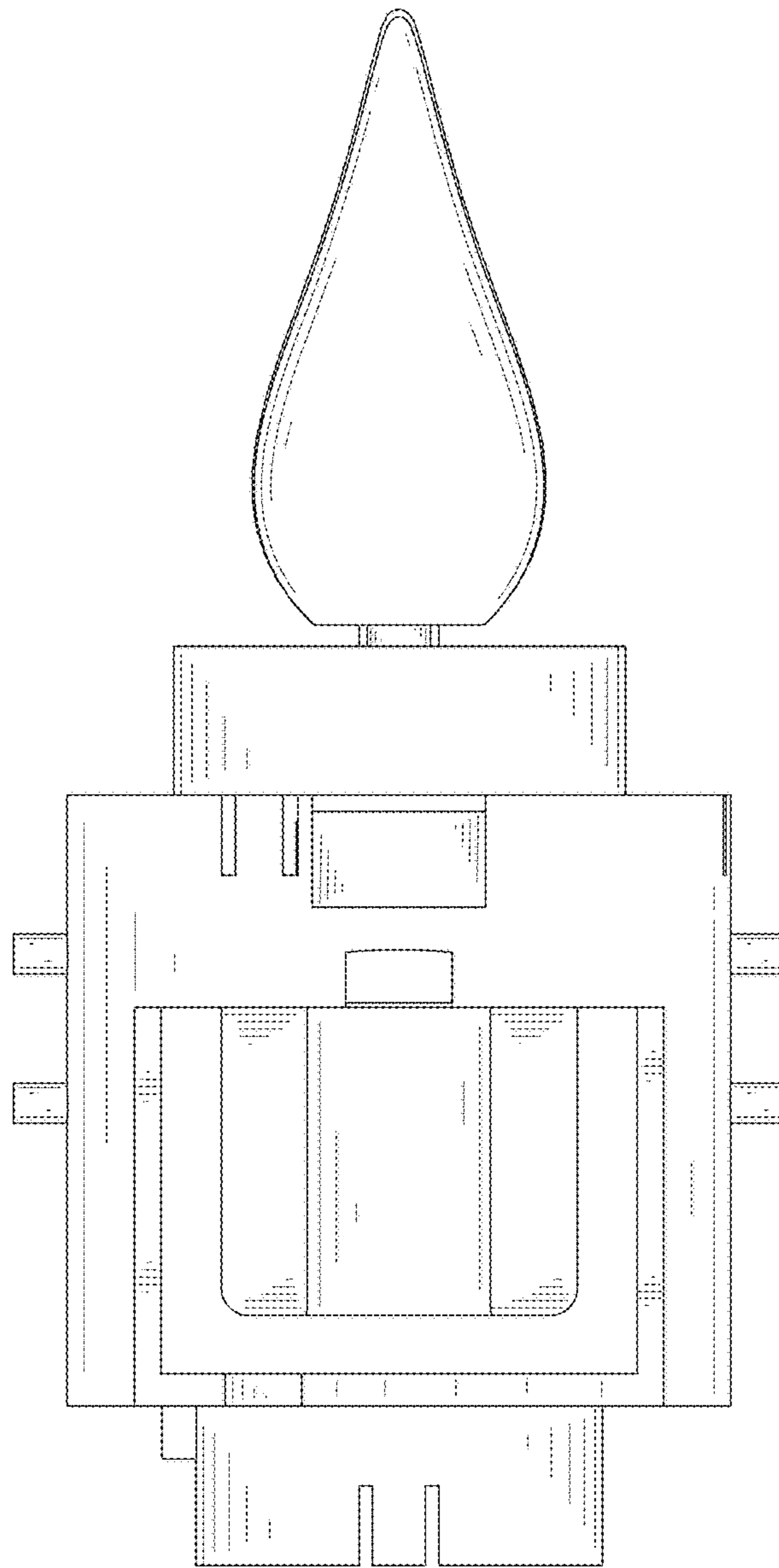


FIG. 4

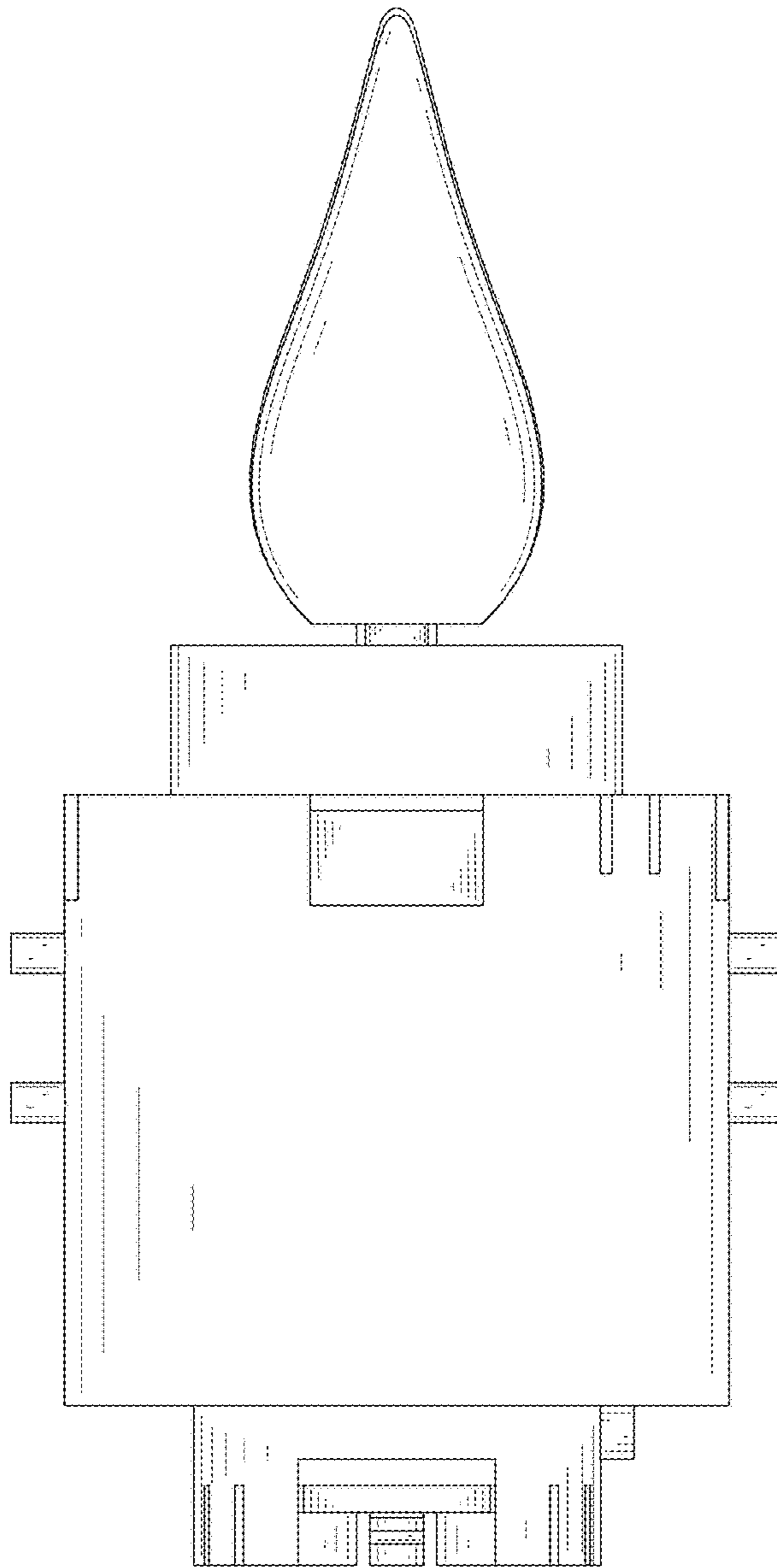


FIG. 5

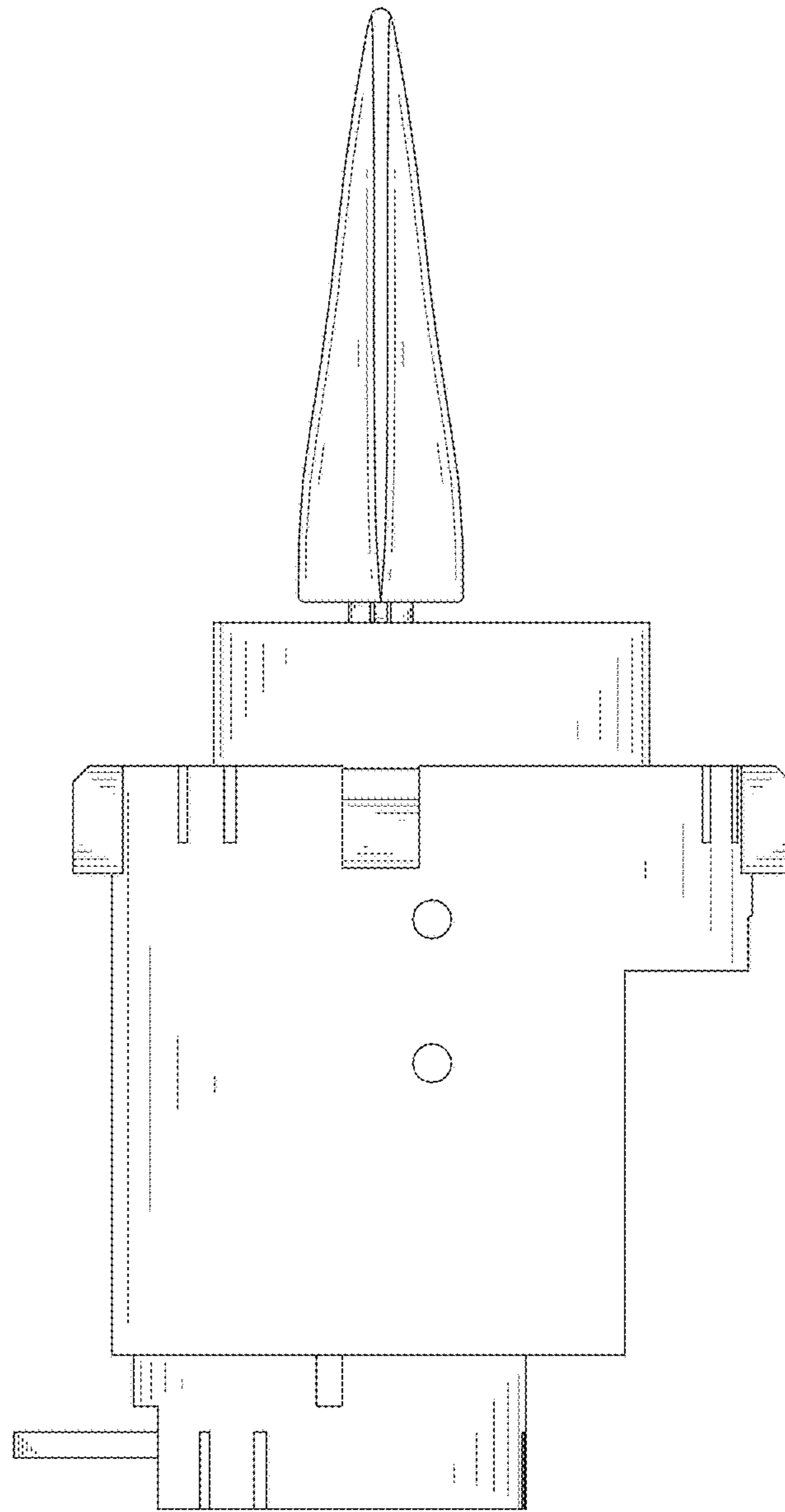


FIG. 6

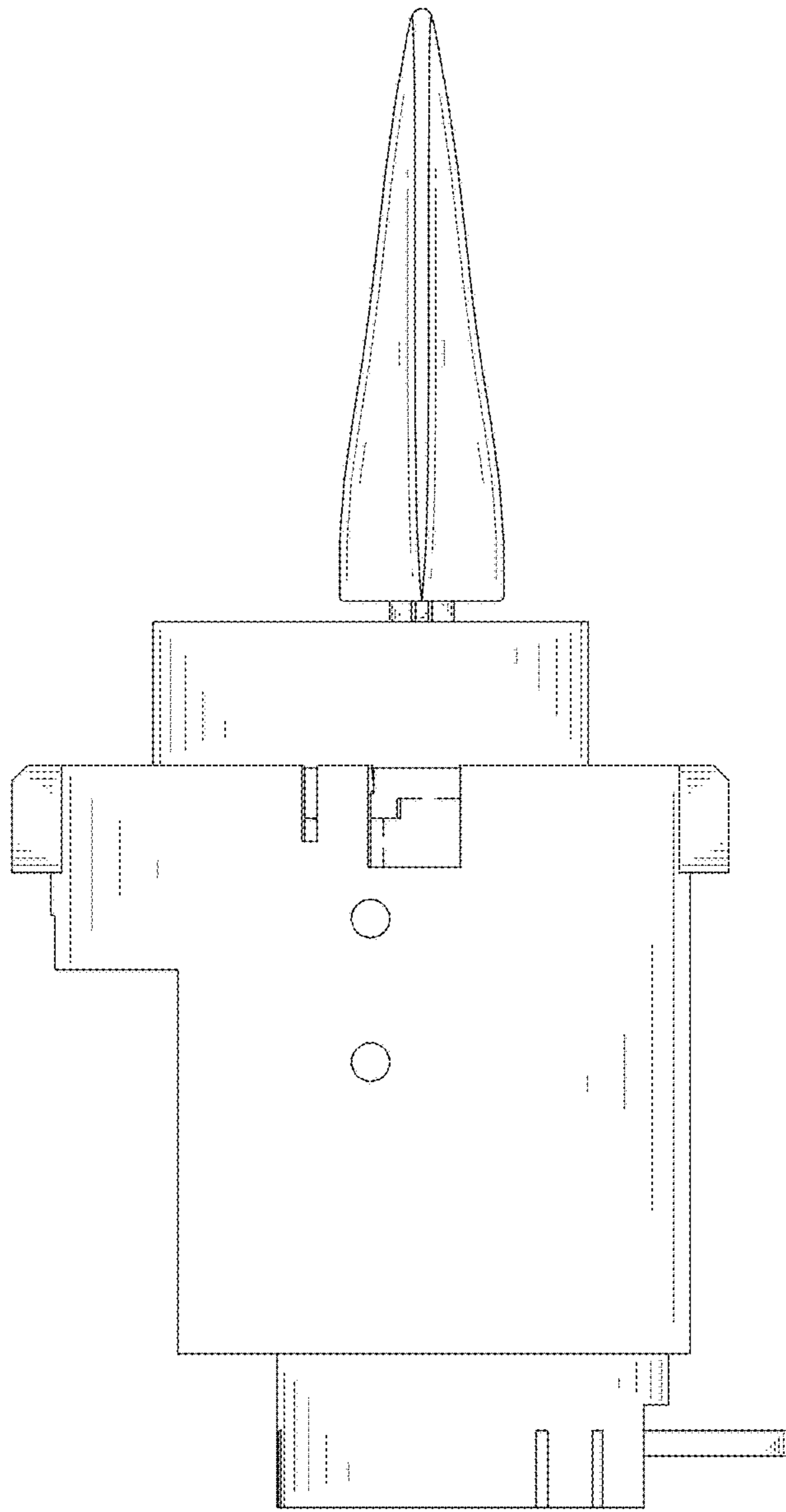


FIG. 7

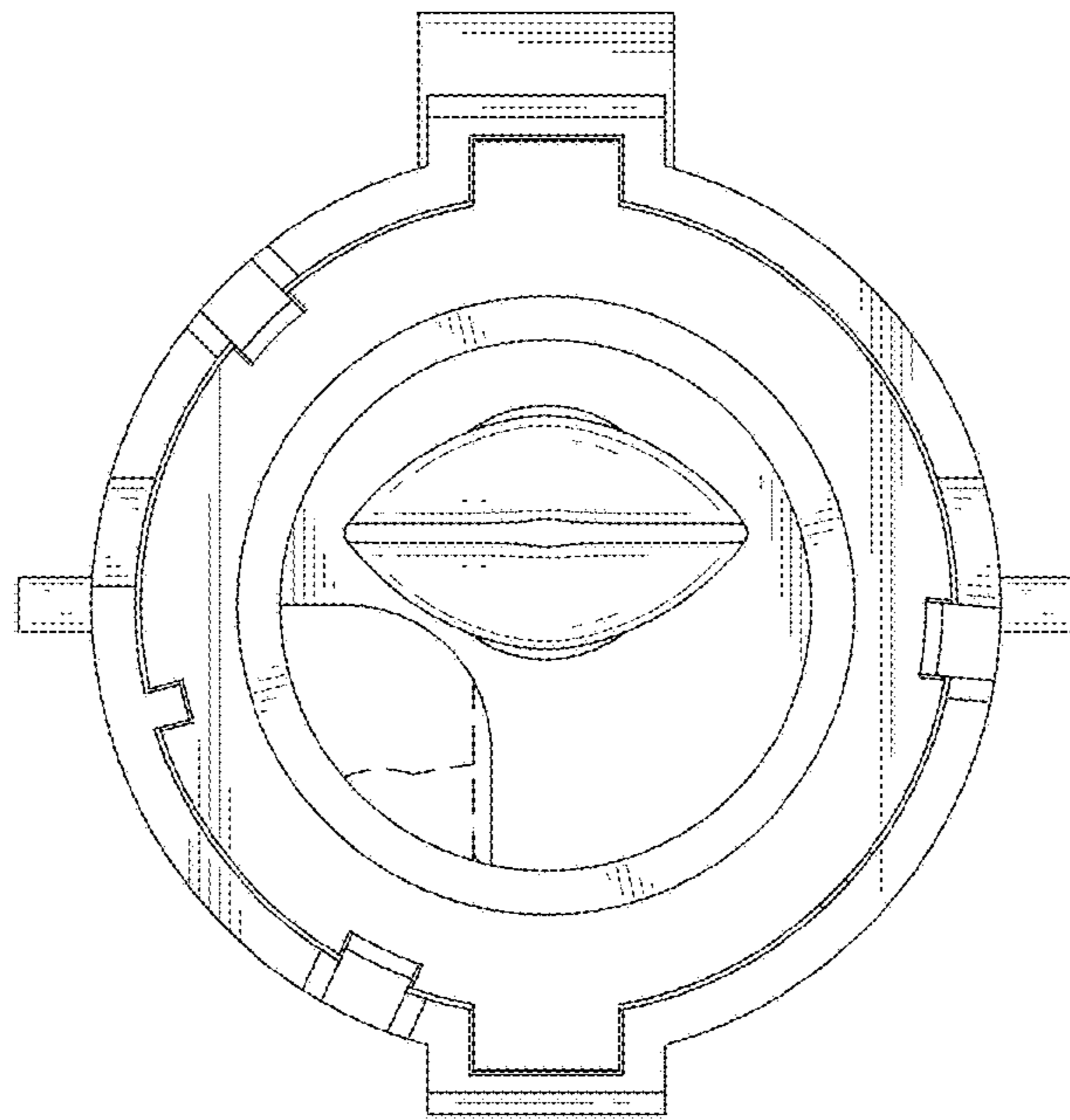


FIG. 8

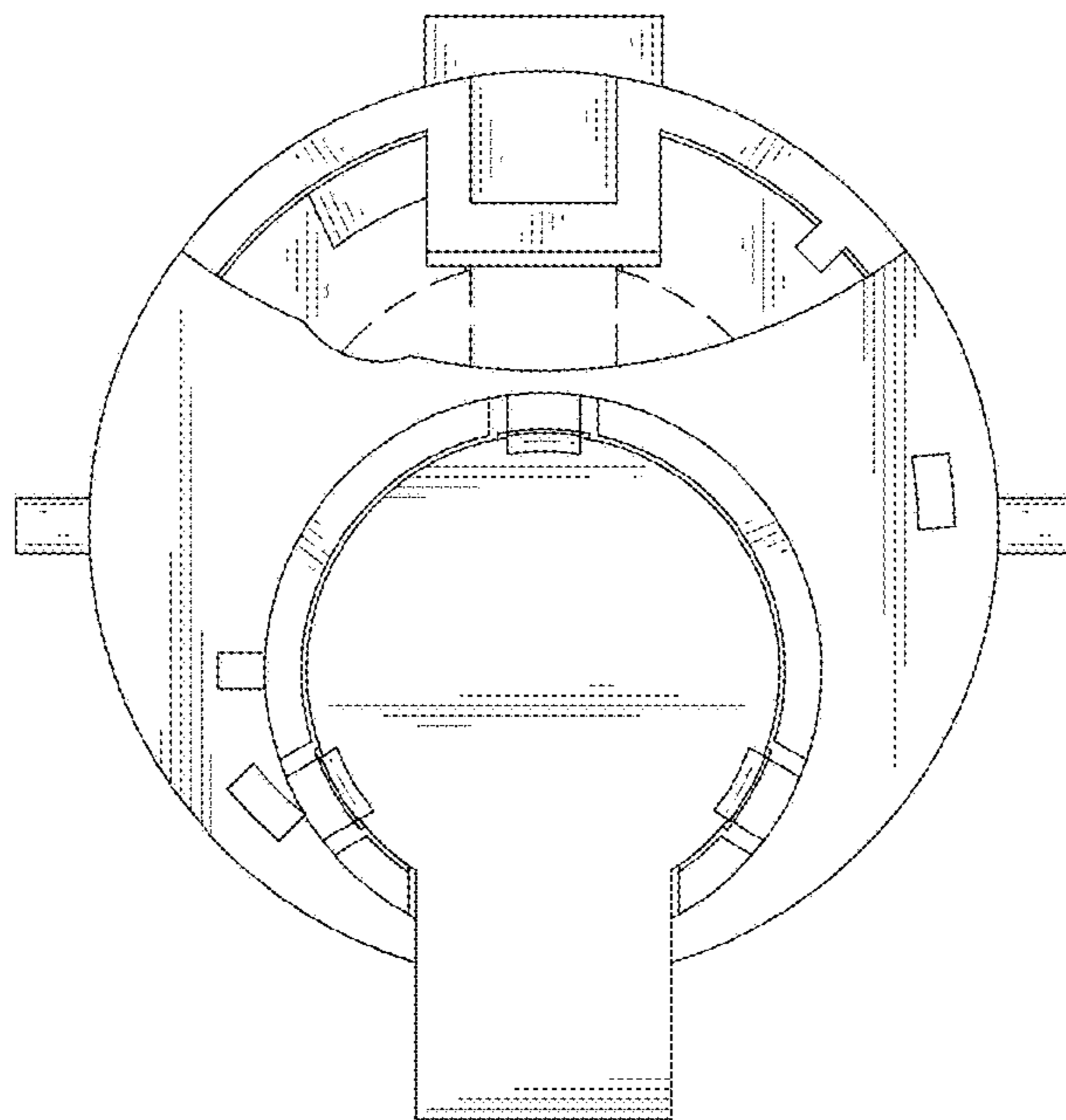


FIG. 9