

US00D861228S

(12) **United States Design Patent** (10) **Patent No.:** **US D861,228 S**
Grau et al. (45) **Date of Patent:** **** Sep. 24, 2019**

(54) **LUMINAIRE**

(56) **References Cited**

(71) Applicant: **TOBIAS GRAU GMBH**, Rellingen (DE)

U.S. PATENT DOCUMENTS

(72) Inventors: **Timon Grau**, Rellingen (DE);
Melchior Grau, Rellingen (DE)

D393,916 S *	4/1998	Lee	D26/106
D484,636 S *	12/2003	Hsieh	D26/112
D590,093 S *	4/2009	Starck	D26/93
D625,039 S *	10/2010	Citterio	D26/93
D693,049 S *	11/2013	Meise	D26/93
D737,496 S *	8/2015	Swanson	D26/65
D740,253 S *	10/2015	Jeon	D14/204
D766,494 S *	9/2016	Hoshikawa	D26/107
D766,823 S *	9/2016	Wahl	D26/93
D780,982 S *	3/2017	Starck	D26/93
D790,748 S *	6/2017	Starck	D26/93
D805,677 S *	12/2017	Starck	D26/93
D810,352 S *	2/2018	Bibby	D26/107

(**) Term: **15 Years**

(21) Appl. No.: **35/505,177**

(22) Filed: **Jun. 8, 2018**

(80) **Hague Agreement Data**

Int. Filing Date: **Jun. 8, 2018**

Int. Reg. No.: **DM/101593**

Int. Reg. Date: **Jun. 8, 2018**

Int. Reg. Pub. Date: **Jun. 29, 2018**

(51) **LOC (12) Cl.** **26-05**

(52) **U.S. Cl.**
USPC **D26/93**

(58) **Field of Classification Search**

USPC D26/76, 78-83, 85, 86, 87, 88, 90, 93,
D26/111, 113, 118, 119, 120, 121, 122,
D26/138, 139, 140, 141, 142, 152
CPC F21S 2/00; F21S 4/00; F21S 4/003; F21S
4/005; F21S 4/006; F21S 4/007; F21S
4/008; F21S 6/00; F21S 8/00; F21S
8/024; F21S 8/026; F21S 8/031; F21S
8/033; F21S 8/035-037; F21S 8/04; F21S
8/043; F21S 8/063

See application file for complete search history.

* cited by examiner

Primary Examiner — George D. Kirschbaum

Assistant Examiner — Natasha Vujcic

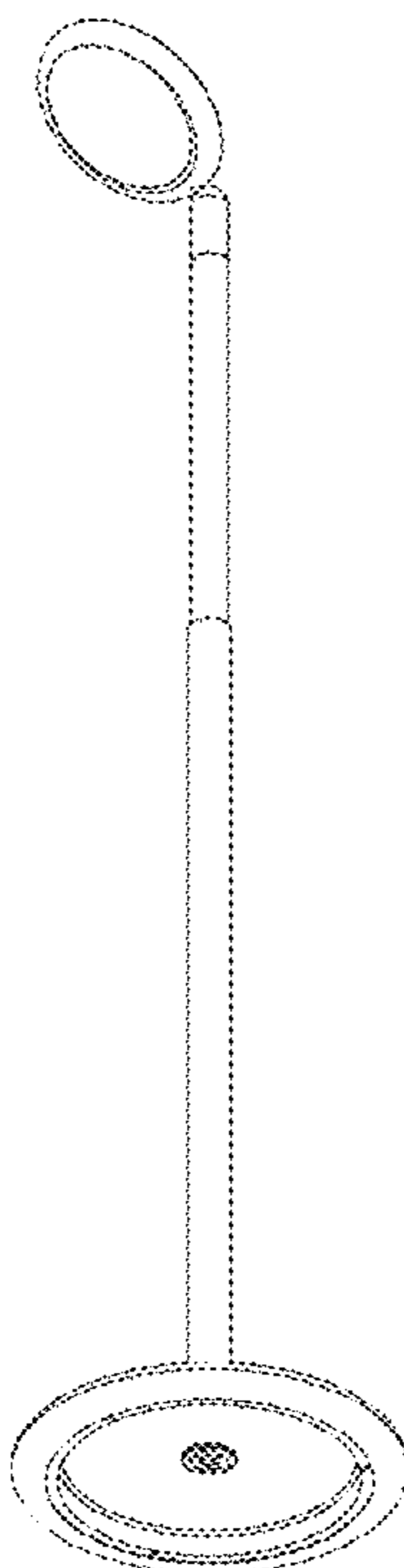
(57) **CLAIM**

We claim, the ornamental design for a luminaire, as shown and described.

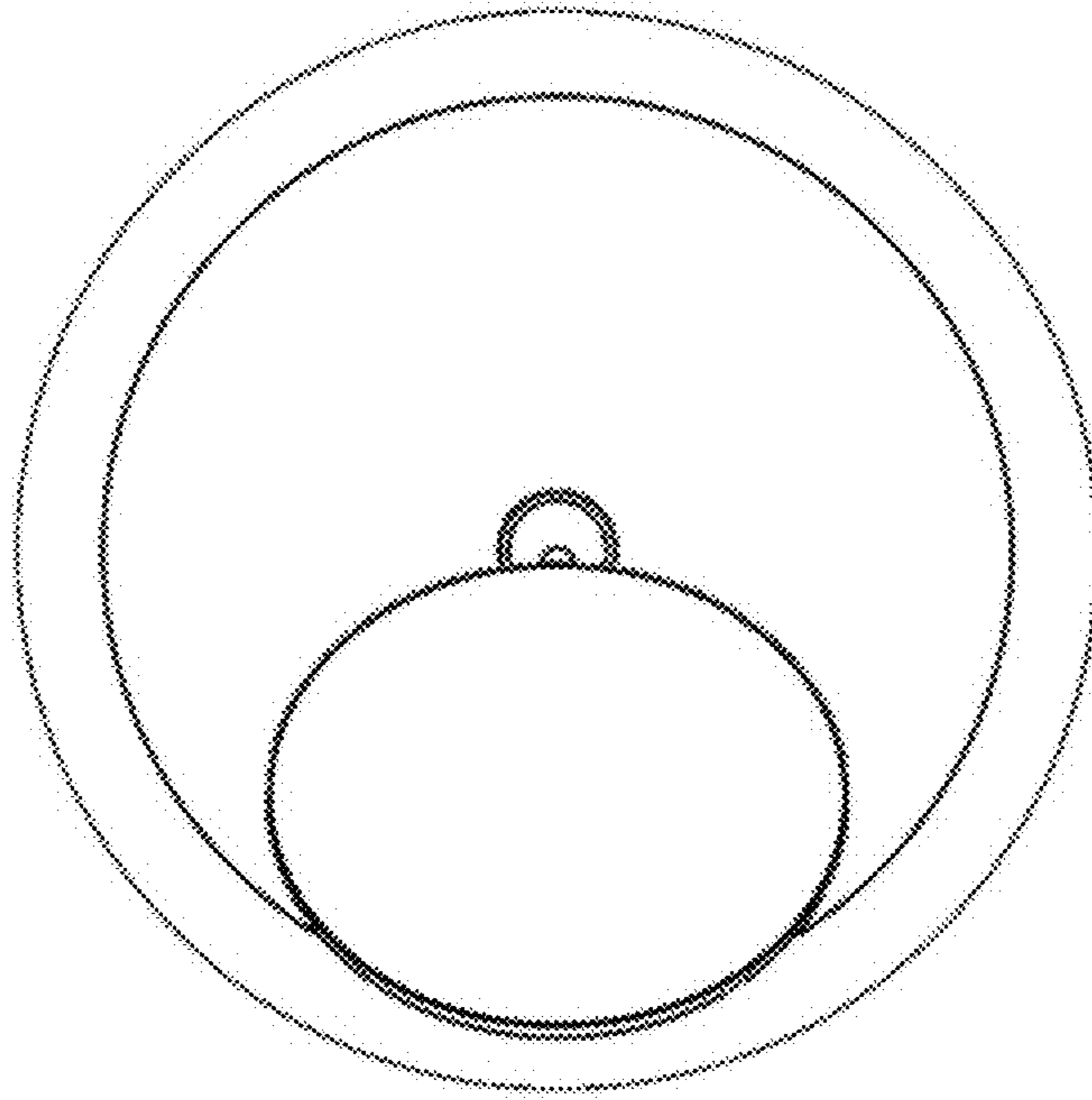
DESCRIPTION

1. Luminaire
- 1.1 is a top view.
- 1.2 is a bottom view.
- 1.3 is a rear view.
- 1.4 is a front view.
- 1.5 is a front perspective view.
- 1.6 is a right side perspective view.
- 1.7 is a right side view.

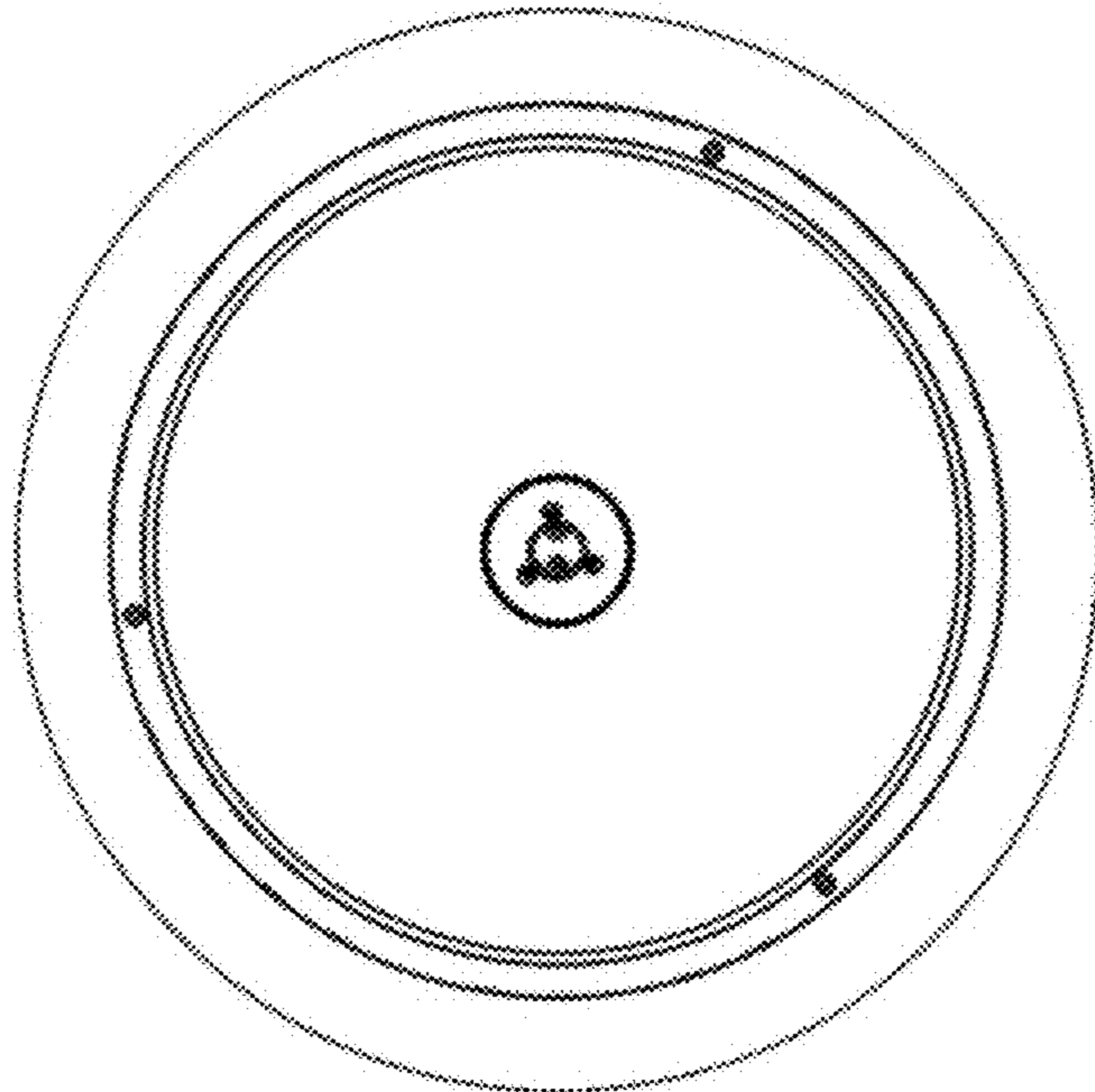
1 Claim, 7 Drawing Sheets



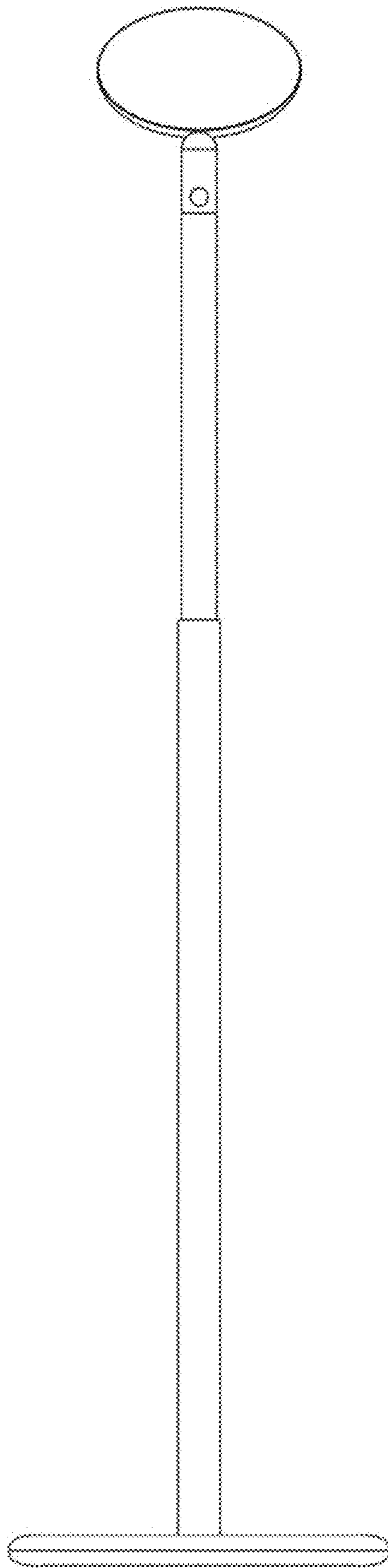
1.1



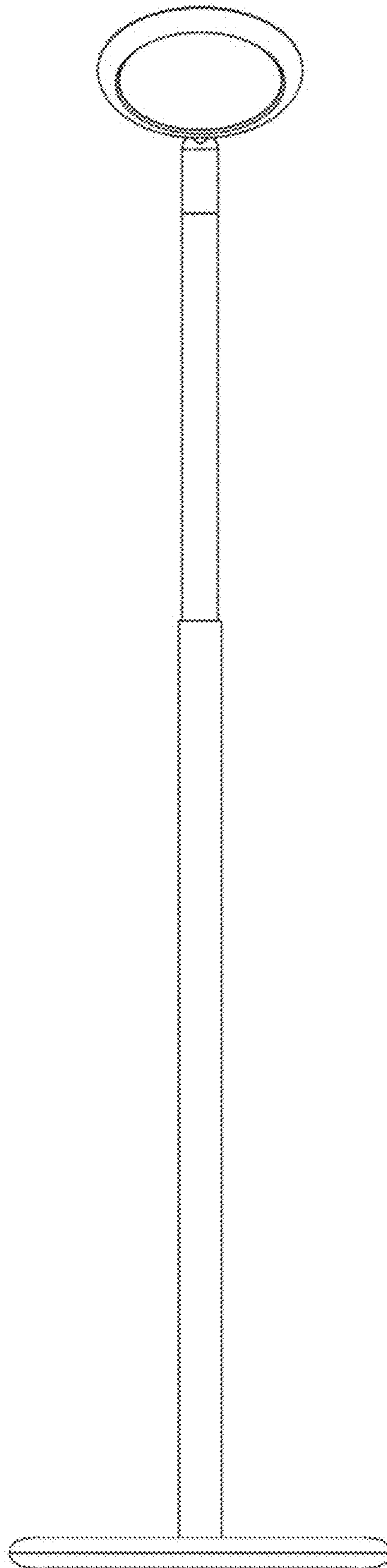
1.2



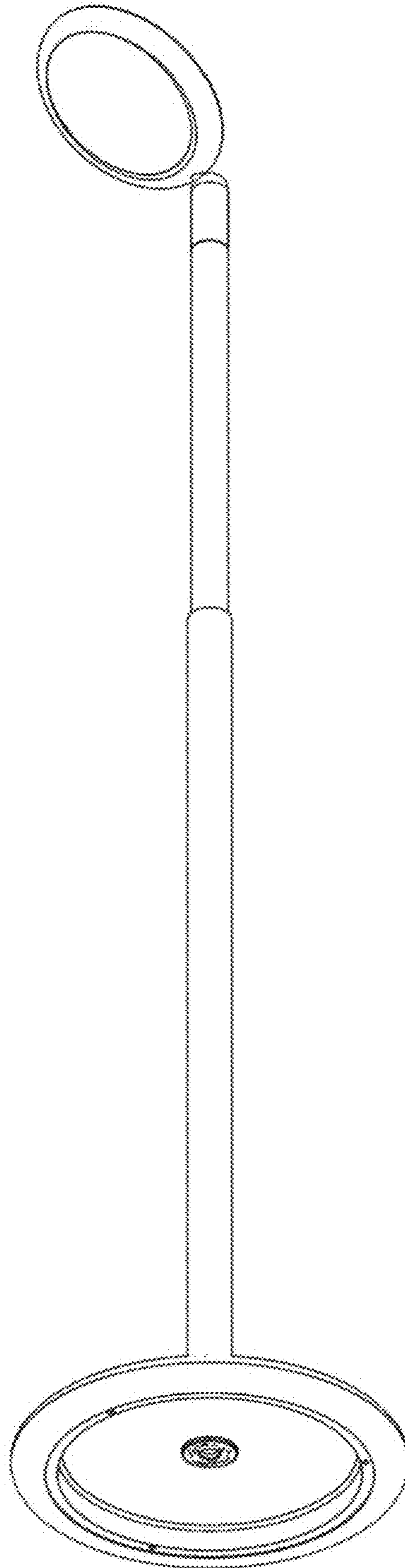
1.3



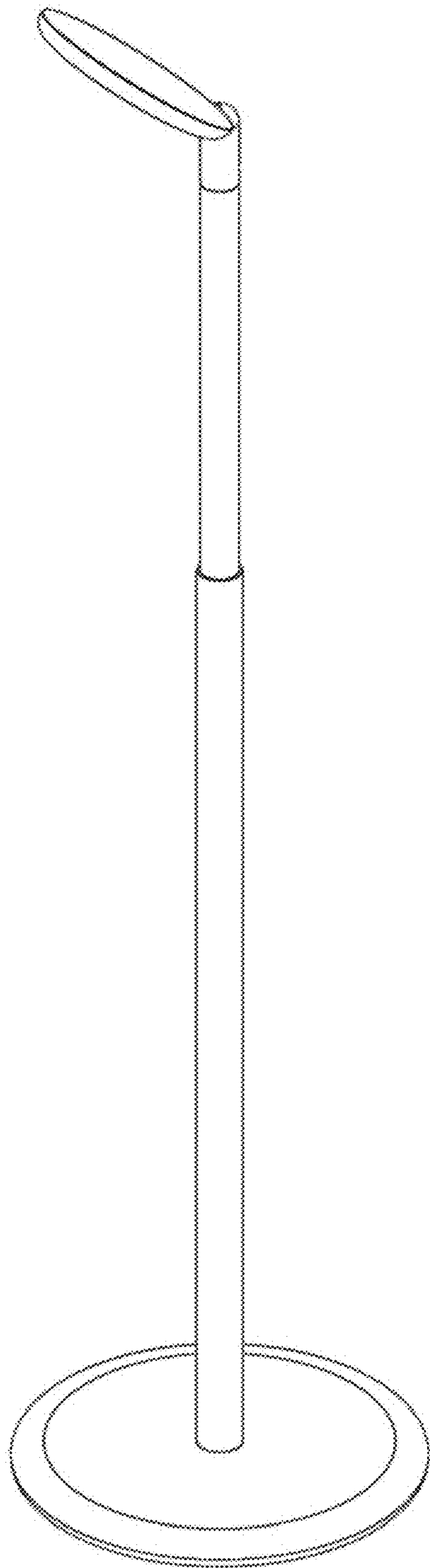
1.4



1.5



1.6



1.7

