



US00D861227S

(12) **United States Design Patent**  
**Sonneman**

(10) **Patent No.:** **US D861,227 S**

(45) **Date of Patent:** **\*\* Sep. 24, 2019**

(54) **LIGHT FIXTURE**

(71) Applicant: **Contemporary Visions, LLC**,  
Larchmont, NY (US)

(72) Inventor: **Robert A. Sonneman**, Mamaroneck,  
NY (US)

(73) Assignee: **Contemporary Visions, LLC**,  
Larchmont, NY (US)

(\*\*) Term: **15 Years**

(21) Appl. No.: **29/672,854**

(22) Filed: **Dec. 10, 2018**

(51) **LOC (12) Cl.** ..... **26-03**

(52) **U.S. Cl.**  
USPC ..... **D26/88; D26/131**

(58) **Field of Classification Search**  
USPC .... D26/72, 81, 84, 85, 88, 90, 91, 118, 131,  
D26/135  
CPC .... F21S 8/04; F21S 8/043; F21S 8/046; F21S  
8/06; F21S 8/061; F21S 8/063; F21S  
8/065; F21S 13/04; F21V 1/12; F21V  
3/023

See application file for complete search history.

(56) **References Cited**

**U.S. PATENT DOCUMENTS**

D102,438 S *	12/1936	Montmartin	.....	D26/88
2,601,554 A *	6/1952	Peters	.....	F21V 3/023 362/102
D494,310 S *	8/2004	Cline	.....	D26/128
D495,822 S *	9/2004	Yoneda	.....	D26/124
D632,835 S *	2/2011	Arbel	.....	D26/128
D709,637 S *	7/2014	Terzani	.....	D26/84
D759,284 S *	6/2016	De Bevilacqua	.....	D26/88
D792,007 S *	7/2017	Sonneman	.....	D26/88
D792,999 S *	7/2017	Sonneman	.....	D26/88
D800,944 S *	10/2017	Sonneman	.....	D26/88
D818,178 S *	5/2018	Dixon	.....	D26/88
D831,877 S *	10/2018	Dixon	.....	D26/88

**OTHER PUBLICATIONS**

Mela® Collection by Sonneman a Way of Light . . . son-  
nemanawayofflight.com visited May 15, 2019. (Year: 2019).\*  
Aria S Pendant by Leucos Lighting, from lumens.com visited May  
17, 2019. (Year: 2019).\*  
Quinton Pendant by Tech Lighting, from lumens.com visited May  
17, 2019. (Year: 2019).\*  
Artemide, Empatia Table 16, 26, 36.  
Artemide, Empatia Catalogue.  
Artemide, Empatia 16 table, 1813018A English Specification.  
Artemide, Empatia 26 table, 1817018A English Specification.  
Artemide, Empatia 36 table, 1821018A English Specification.

\* cited by examiner

*Primary Examiner* — Clare E Heflin

(74) *Attorney, Agent, or Firm* — Gottlieb, Rackman &  
Reisman, P.C.

(57) **CLAIM**

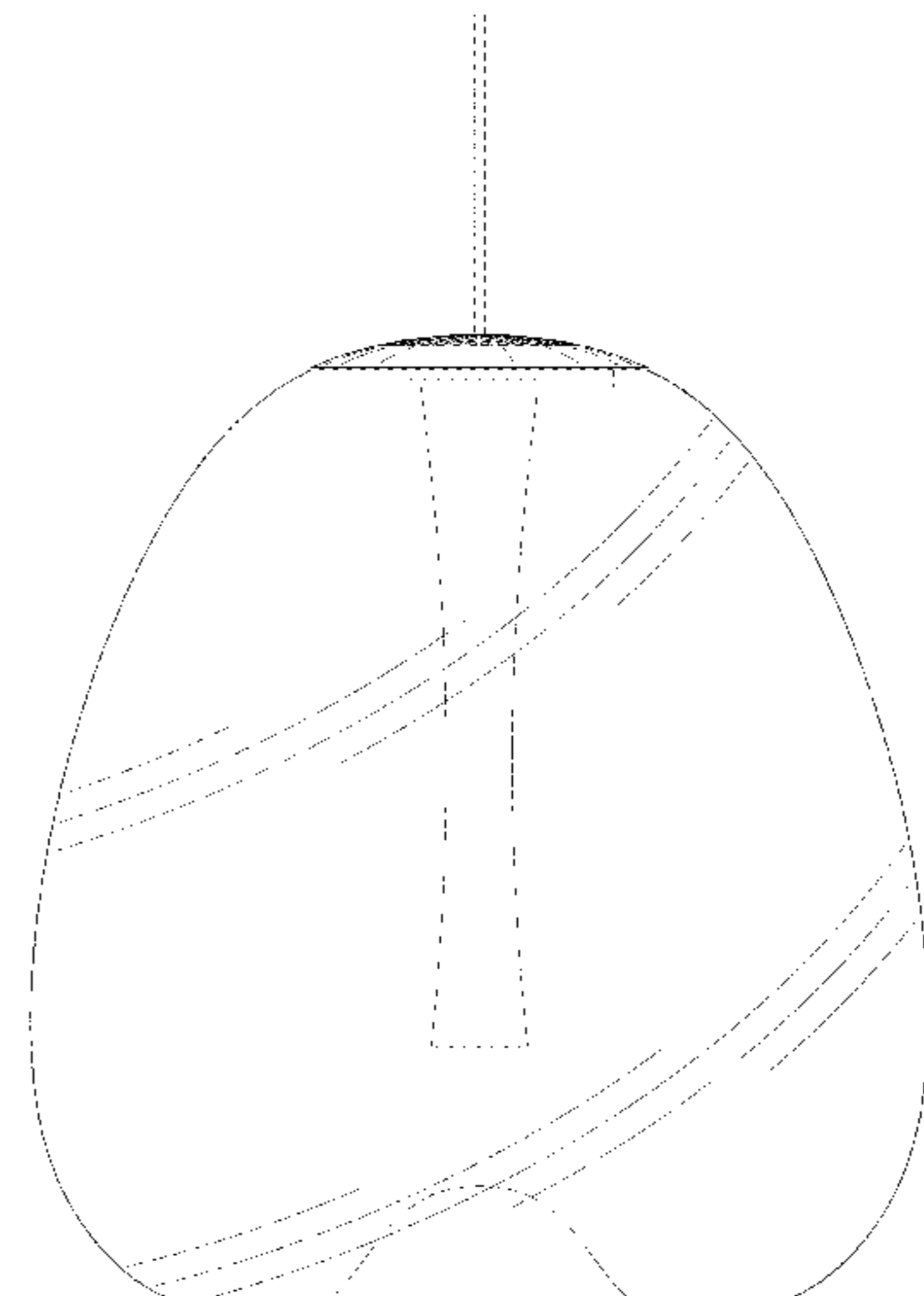
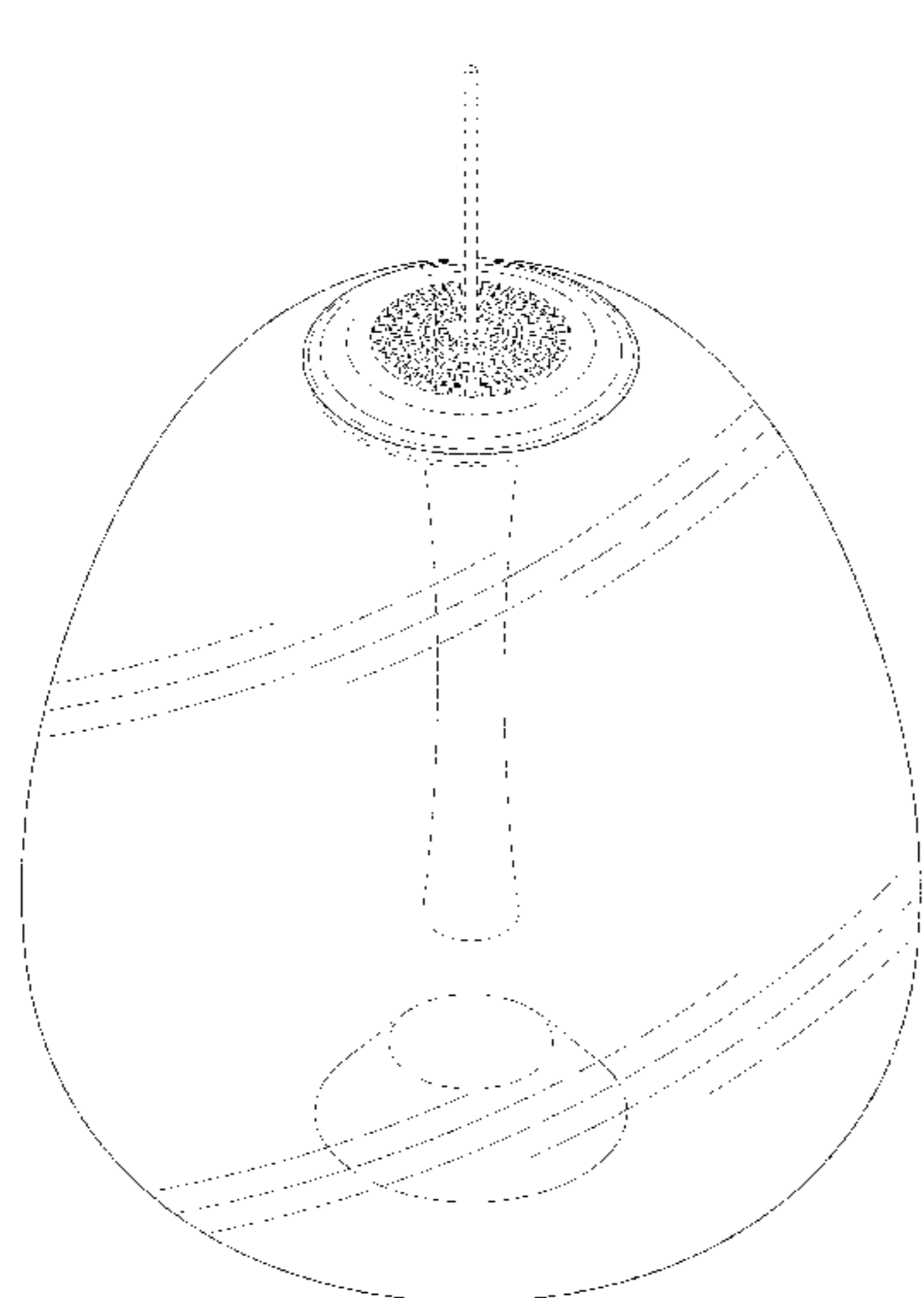
The ornamental design for a light fixture, as shown and  
described.

**DESCRIPTION**

FIG. 1 is a perspective view of a light fixture showing our  
new design;  
FIG. 2 is a first side elevational view thereof;  
FIG. 3 is a second side elevational view thereof;  
FIG. 4 is a third side elevational view thereof;  
FIG. 5 is a fourth side elevational view thereof;  
FIG. 6 is a top plan view thereof; and,  
FIG. 7 is a bottom plan view thereof.

The broken lines shown in the drawings, including those  
detailing openings in the top portion of the light fixture are  
included for the purpose of illustrating elements of the light  
fixture that can be hung from a structure and form no part of  
the claimed design.

**1 Claim, 7 Drawing Sheets**



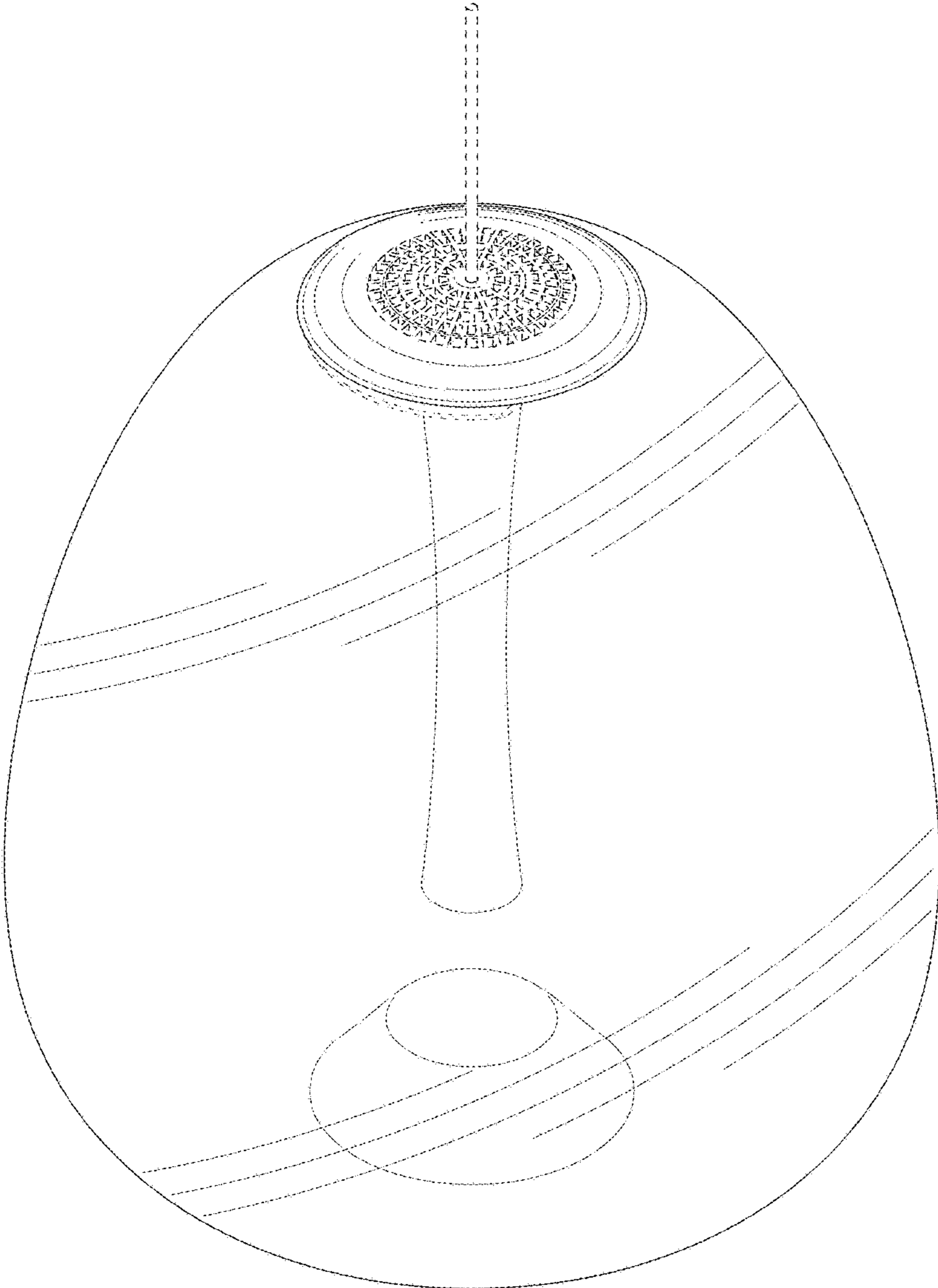


FIG. 1

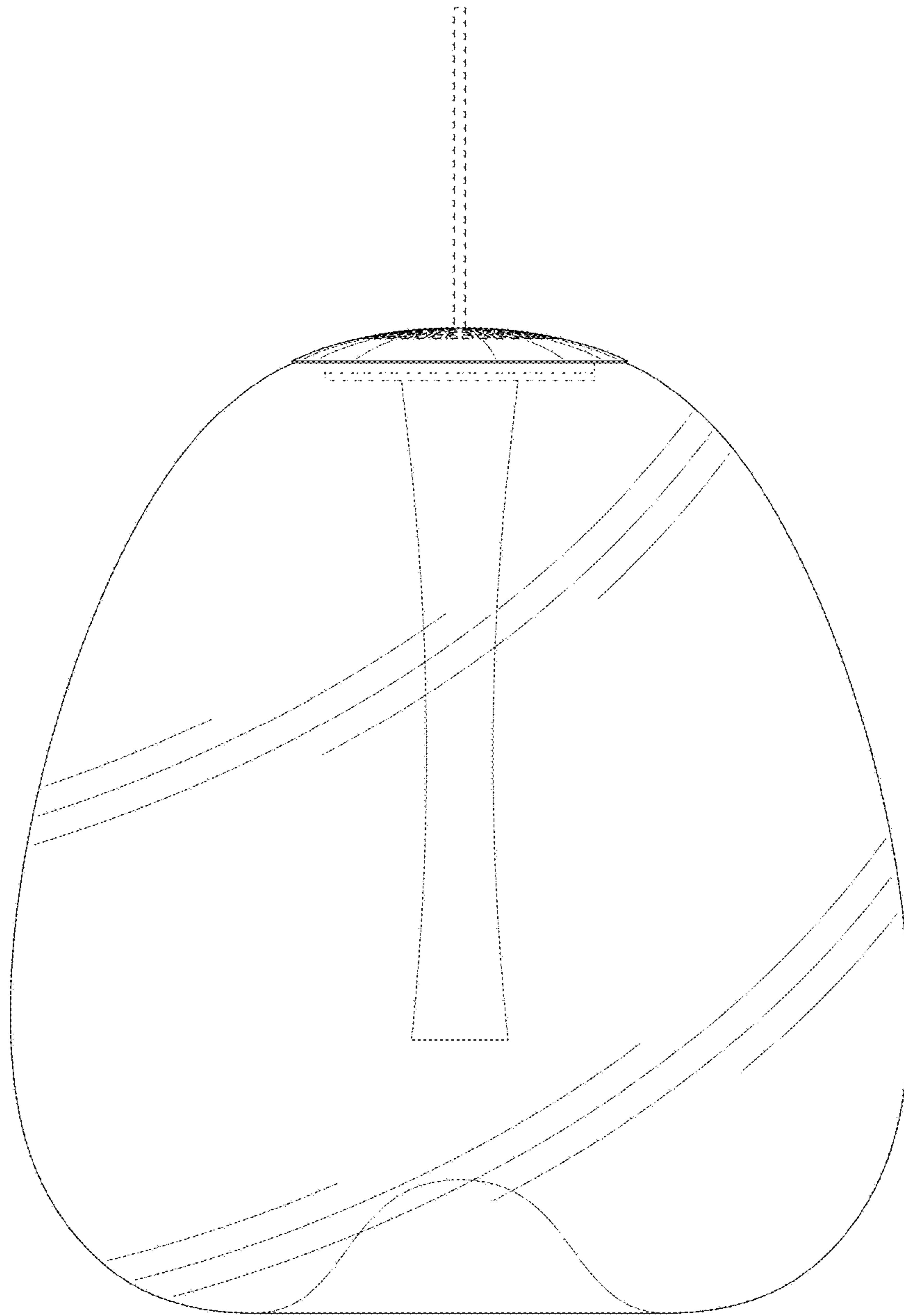


FIG. 2

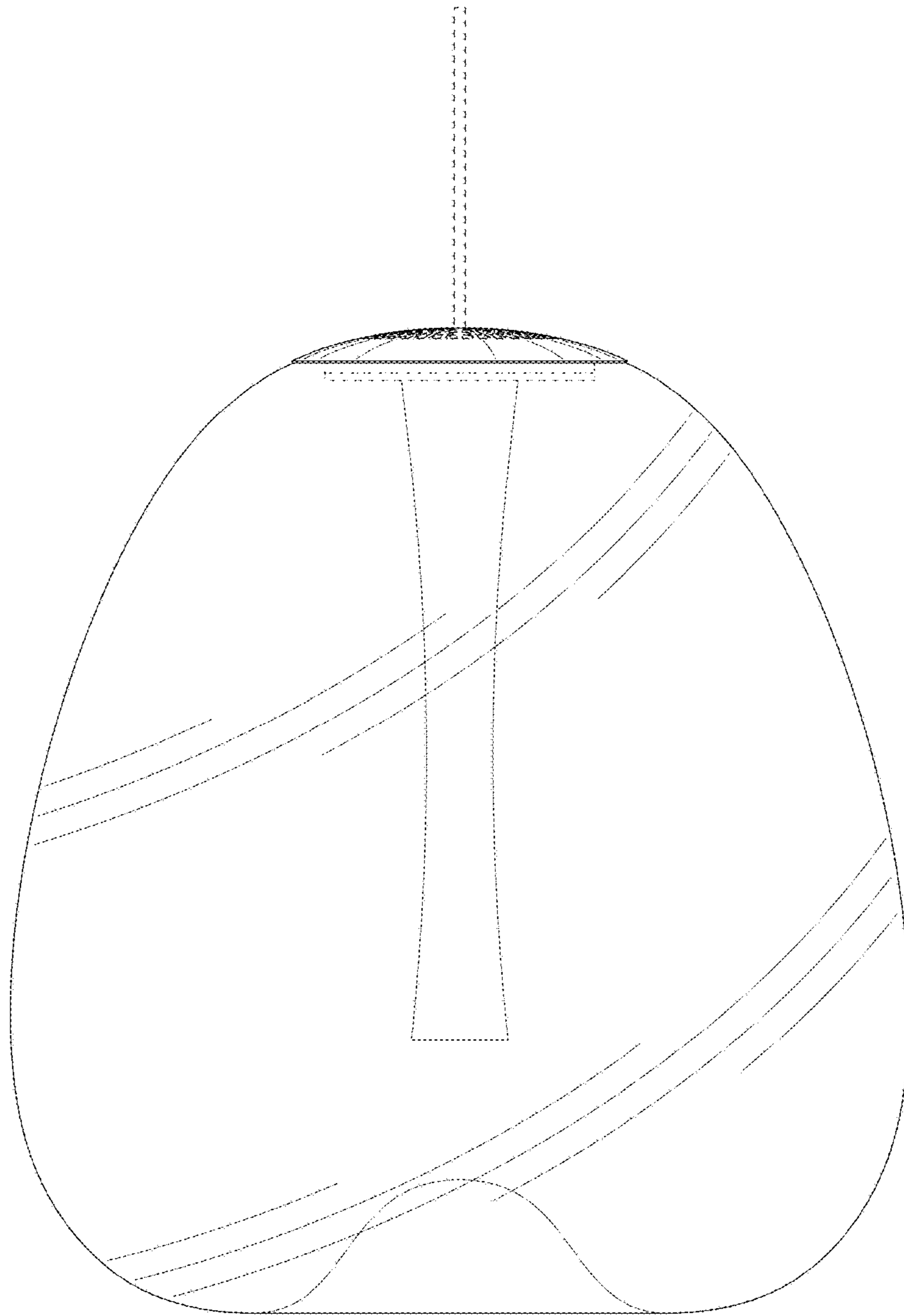


FIG. 3

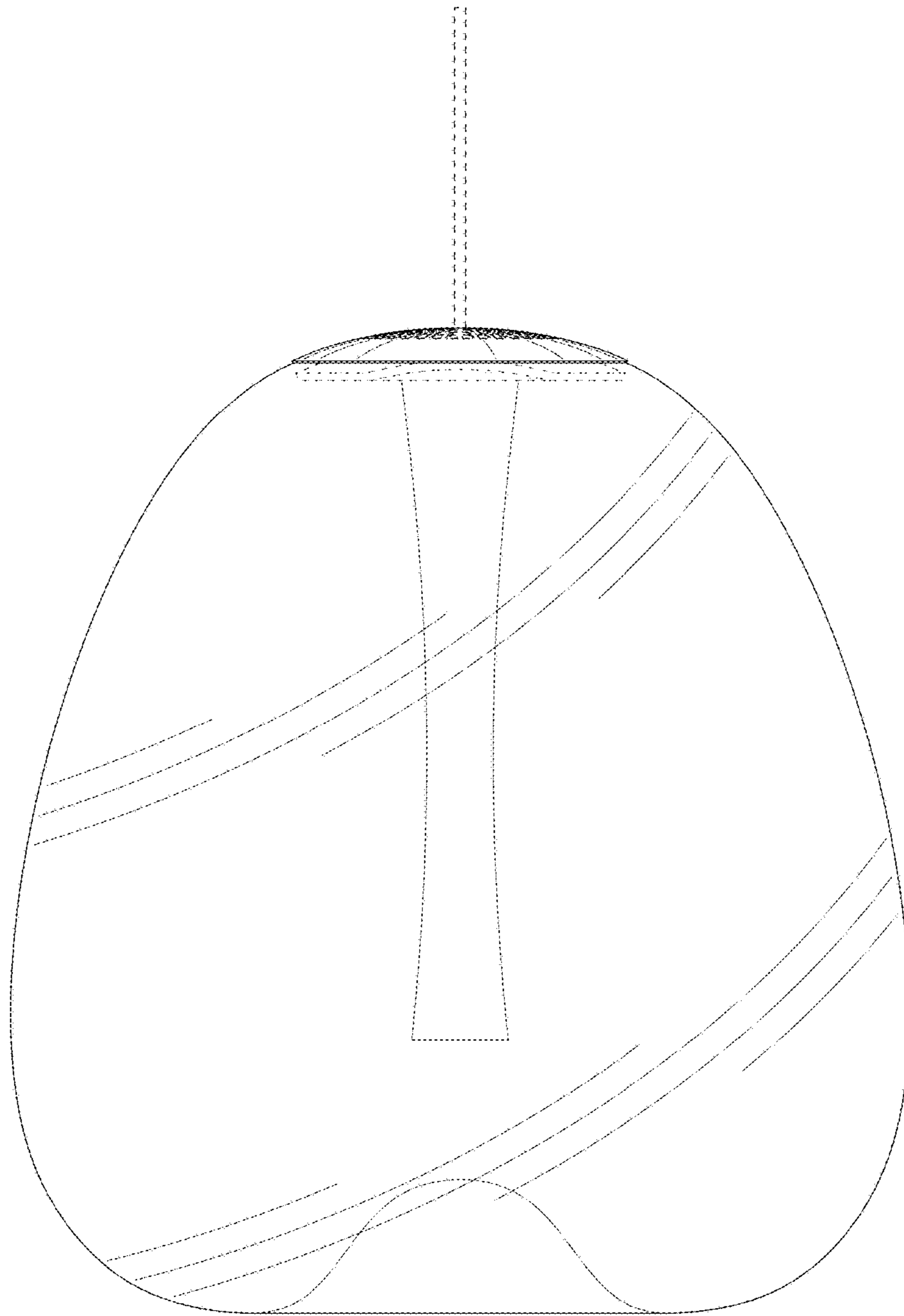


FIG. 4

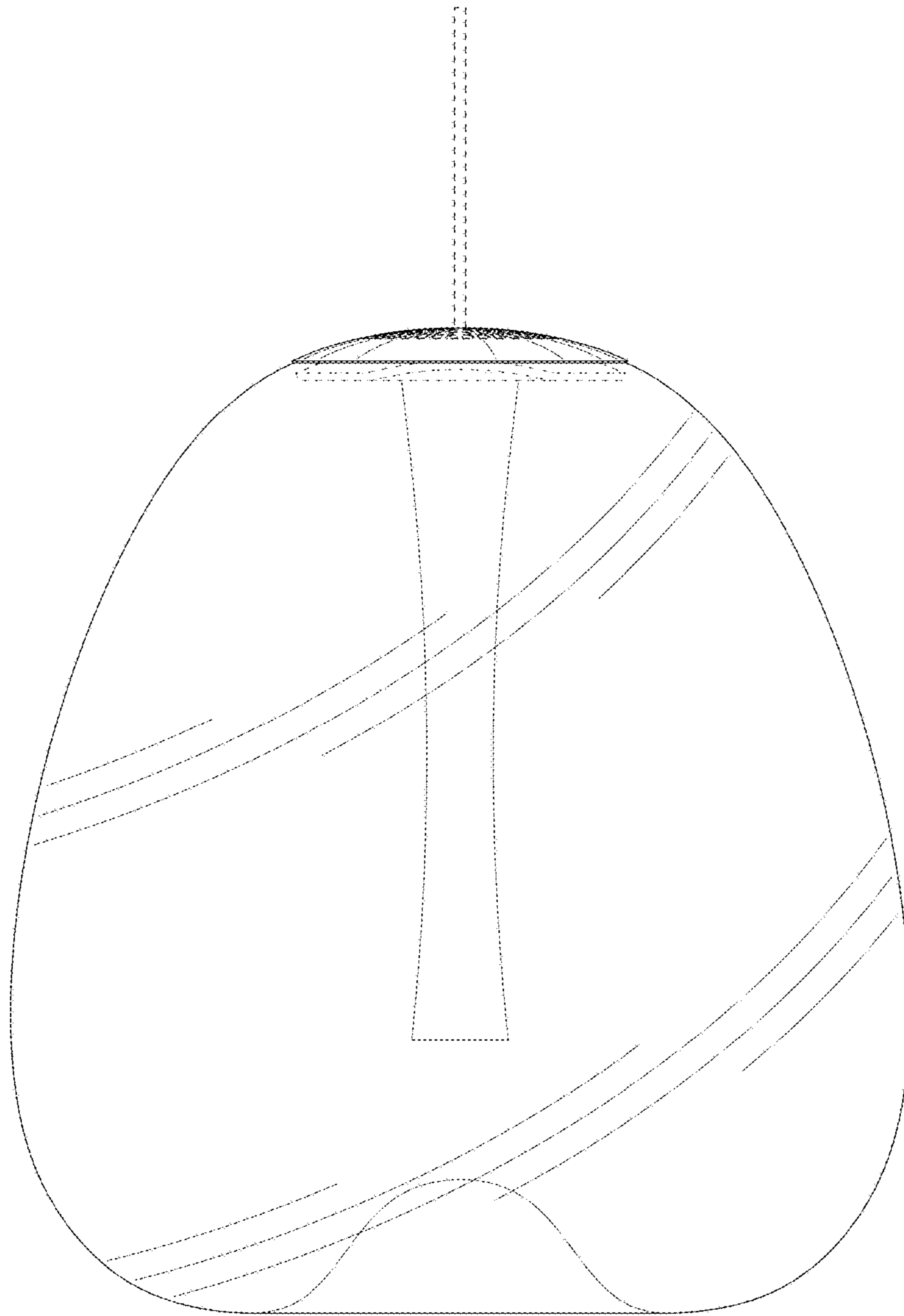


FIG. 5

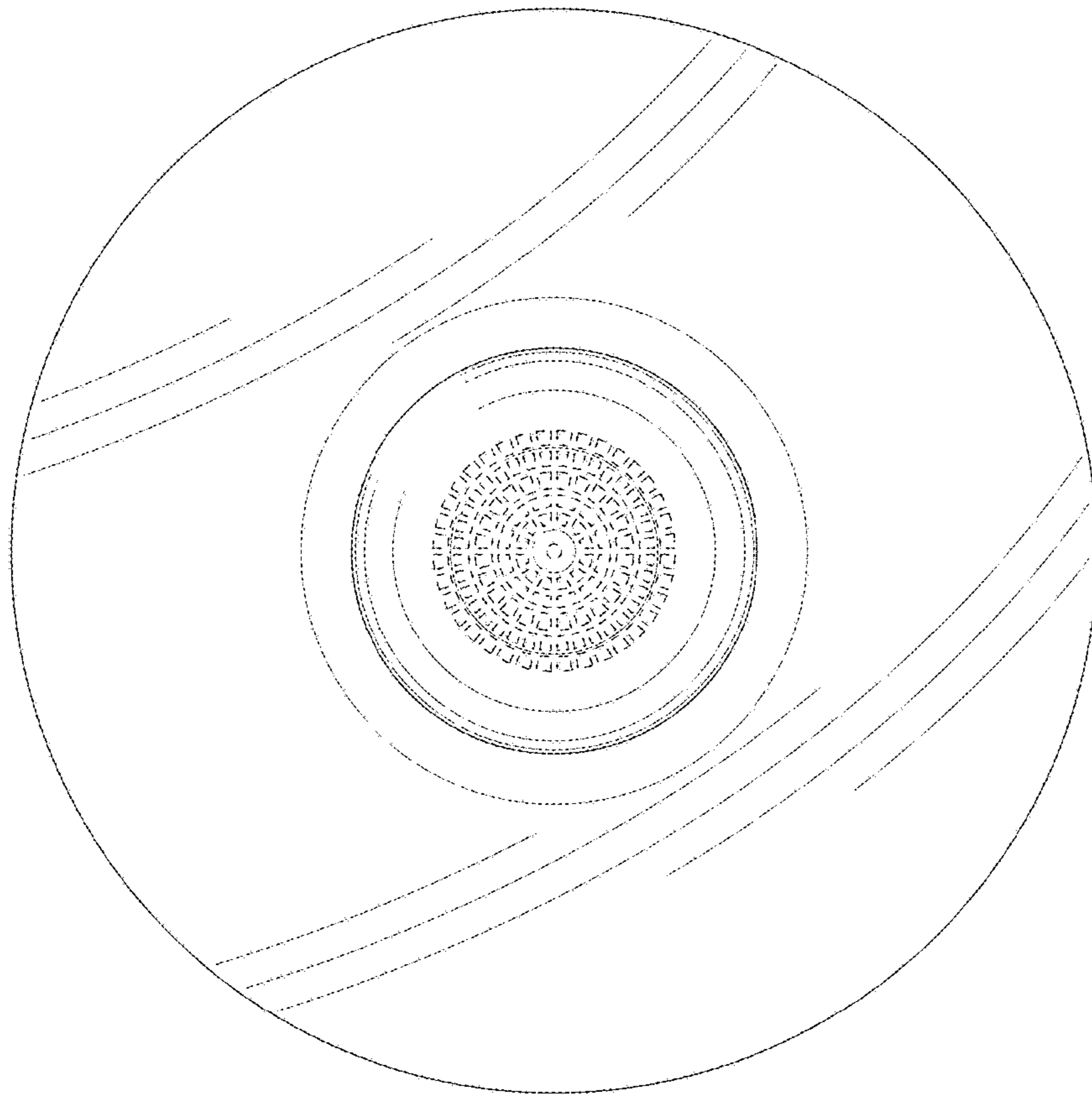


FIG. 6

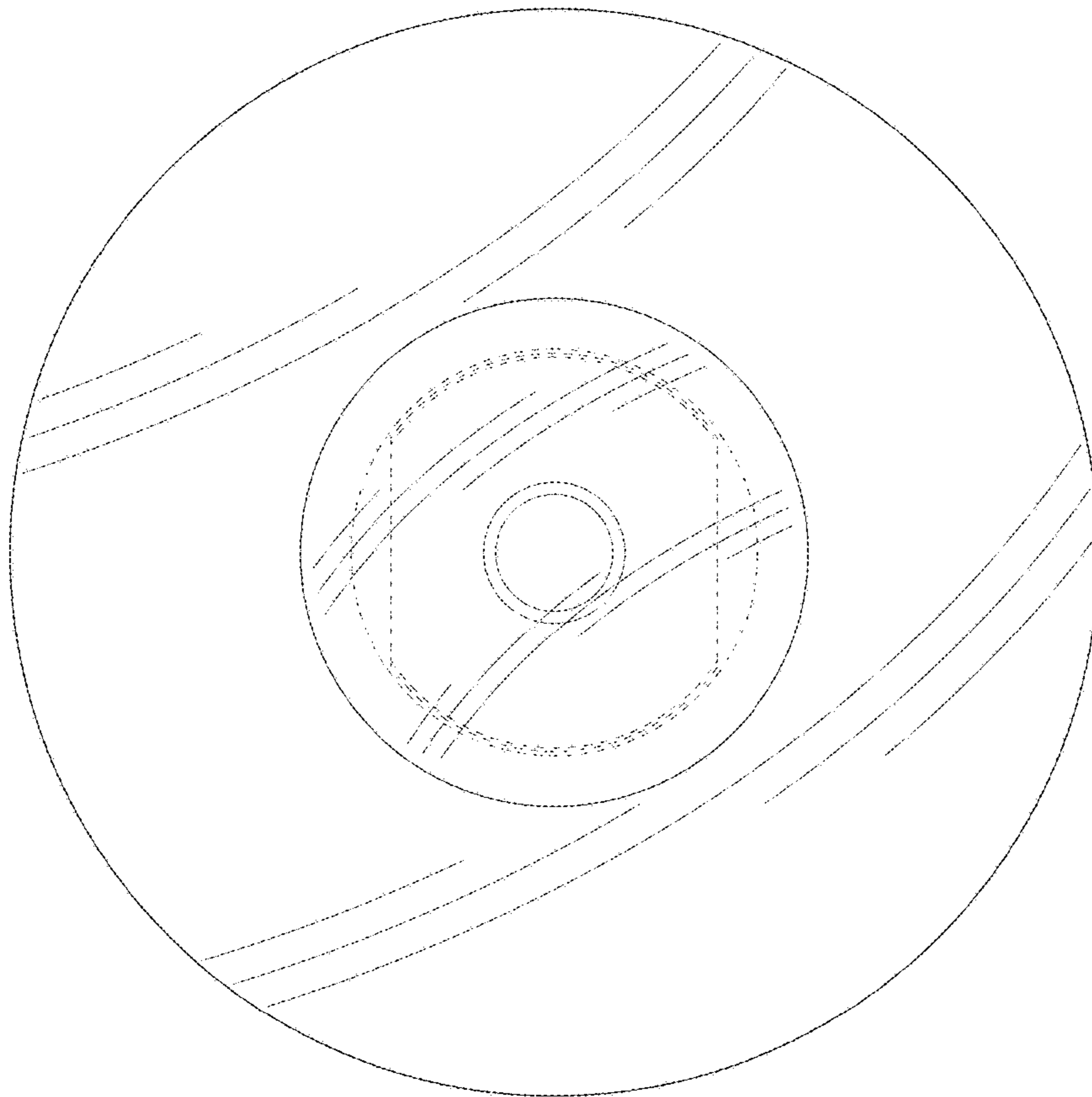


FIG. 7