



US00D861225S

(12) **United States Design Patent**  
**Recker et al.**

(10) **Patent No.:** **US D861,225 S**

(45) **Date of Patent:** **\*\* Sep. 24, 2019**

(54) **NIGHT LIGHT**

(71) Applicant: **Amazon Technologies, Inc.**, Seattle, WA (US)

(72) Inventors: **Michael V. Recker**, Santa Monica, CA (US); **David Brett Levine**, Pepper Pike, OH (US); **Ryan David Hruska**, North Royalton, OH (US)

(73) Assignee: **Amazon Technologies, Inc.**, Seattle, WA (US)

(\*\*) Term: **15 Years**

(21) Appl. No.: **29/659,125**

(22) Filed: **Aug. 6, 2018**

**Related U.S. Application Data**

(63) Continuation of application No. 29/607,369, filed on Jun. 13, 2017, now Pat. No. Des. 829,955.

(51) **LOC (12) Cl.** ..... **26-03**

(52) **U.S. Cl.**  
USPC ..... **D26/85**

(58) **Field of Classification Search**  
USPC ..... D26/72, 85, 118  
CPC .... F21S 8/03; F21S 8/033; F21S 8/036; F21S 8/037; F21S 9/022; F21S 9/024; F21S 9/03; F21S 9/037; F21V 33/0076; F21W 2121/004; F21W 2131/107  
See application file for complete search history.

(56) **References Cited**

**U.S. PATENT DOCUMENTS**

D165,652 S \* 1/1952 Ingolia, Jr. .... D26/107  
6,193,395 B1 2/2001 Logan  
D612,975 S 3/2010 Guercio et al.  
D627,094 S 11/2010 Verelst  
D627,916 S 11/2010 Butteris et al.

D636,525 S \* 4/2011 Chan ..... D26/118  
D646,426 S \* 10/2011 Wolk ..... D26/85  
D664,703 S 7/2012 Yu  
D681,864 S 5/2013 Guercio et al.  
D698,072 S 1/2014 Messisaen  
D761,485 S \* 7/2016 Gerardo ..... D26/118  
D803,456 S 11/2017 Yang et al.  
D805,236 S 12/2017 Exley  
D808,569 S 1/2018 Ban  
D819,254 S \* 5/2018 Richardson ..... D26/85  
D825,825 S \* 8/2018 McKenna ..... D26/118  
D829,359 S \* 9/2018 Zhang ..... D26/85  
D829,955 S \* 10/2018 Recker ..... D26/85

**OTHER PUBLICATIONS**

ZEEFO Rechargeable Motion Sensor Wall Light, Part No. ZF200, ASIN: B01C8BQYFS first available on amazon.com Feb. 26, 2016, 9 pages.

\* cited by examiner

*Primary Examiner* — Clare E Heflin

(74) *Attorney, Agent, or Firm* — Lee & Hayes, P.C.

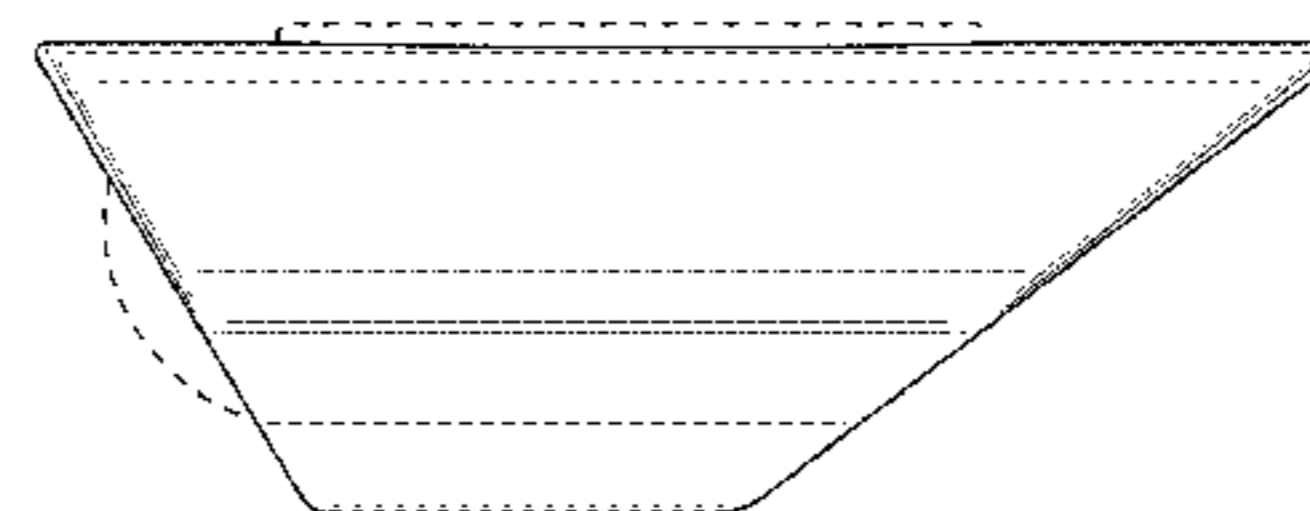
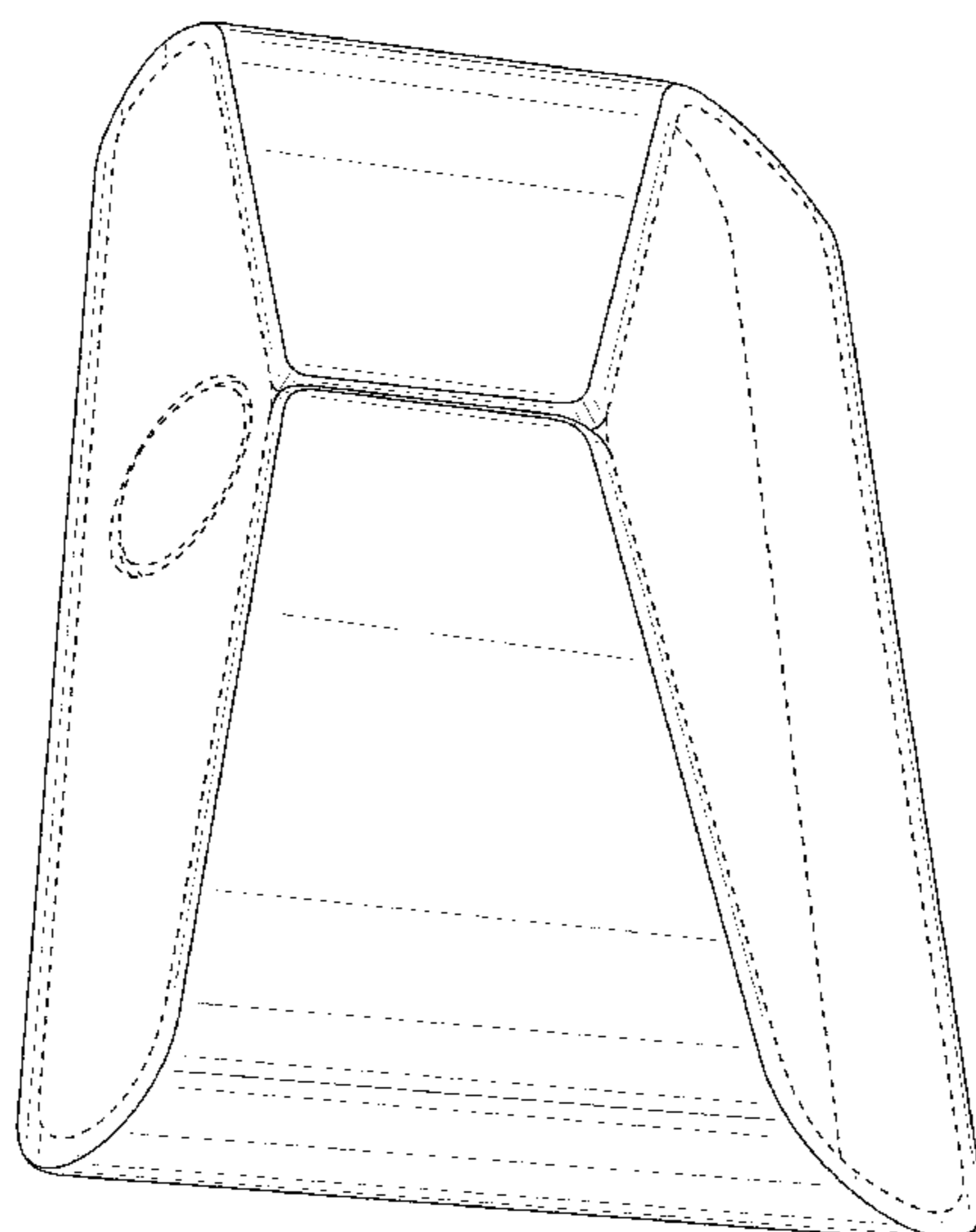
(57) **CLAIM**

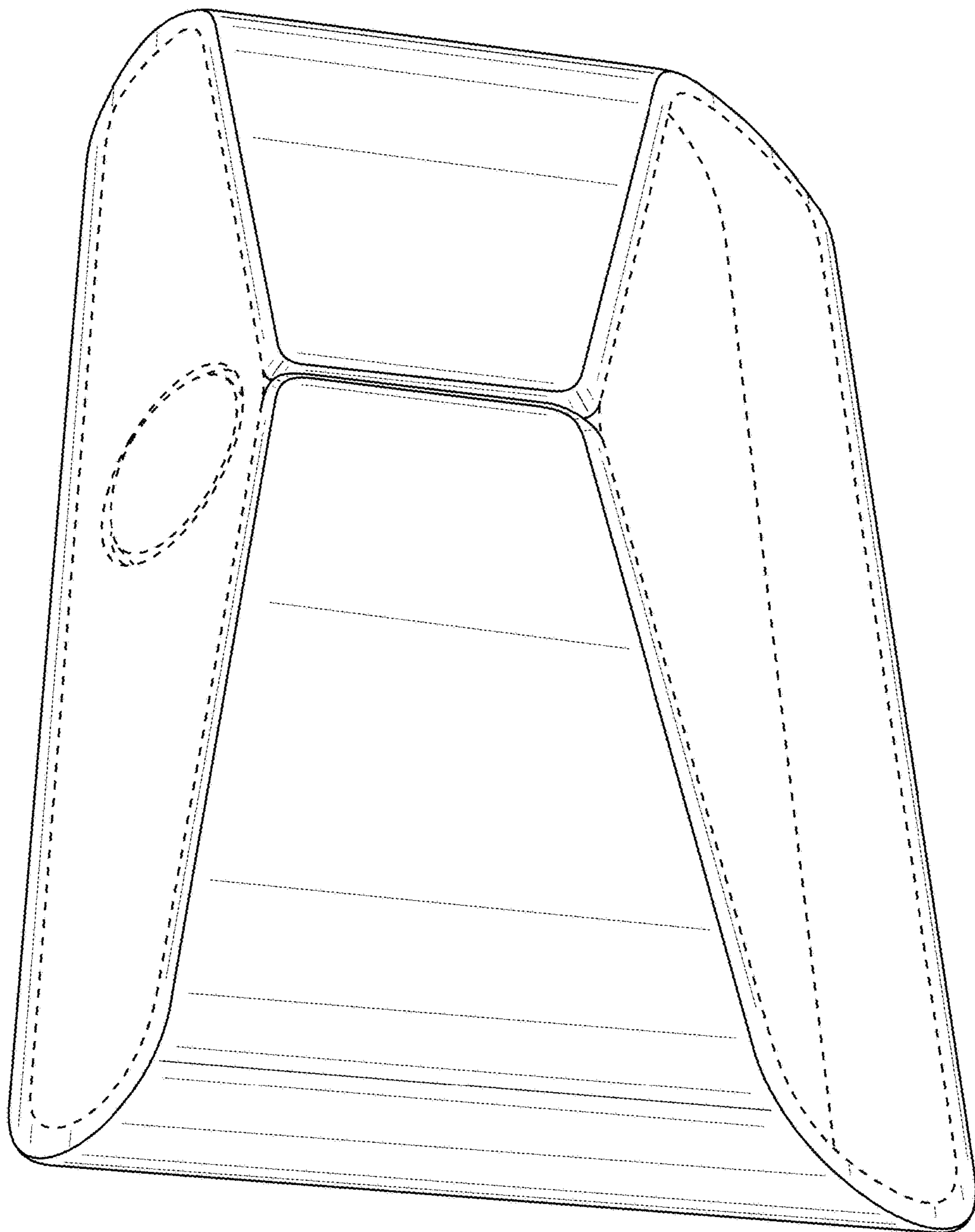
The ornamental design for a night light, as shown and described.

**DESCRIPTION**

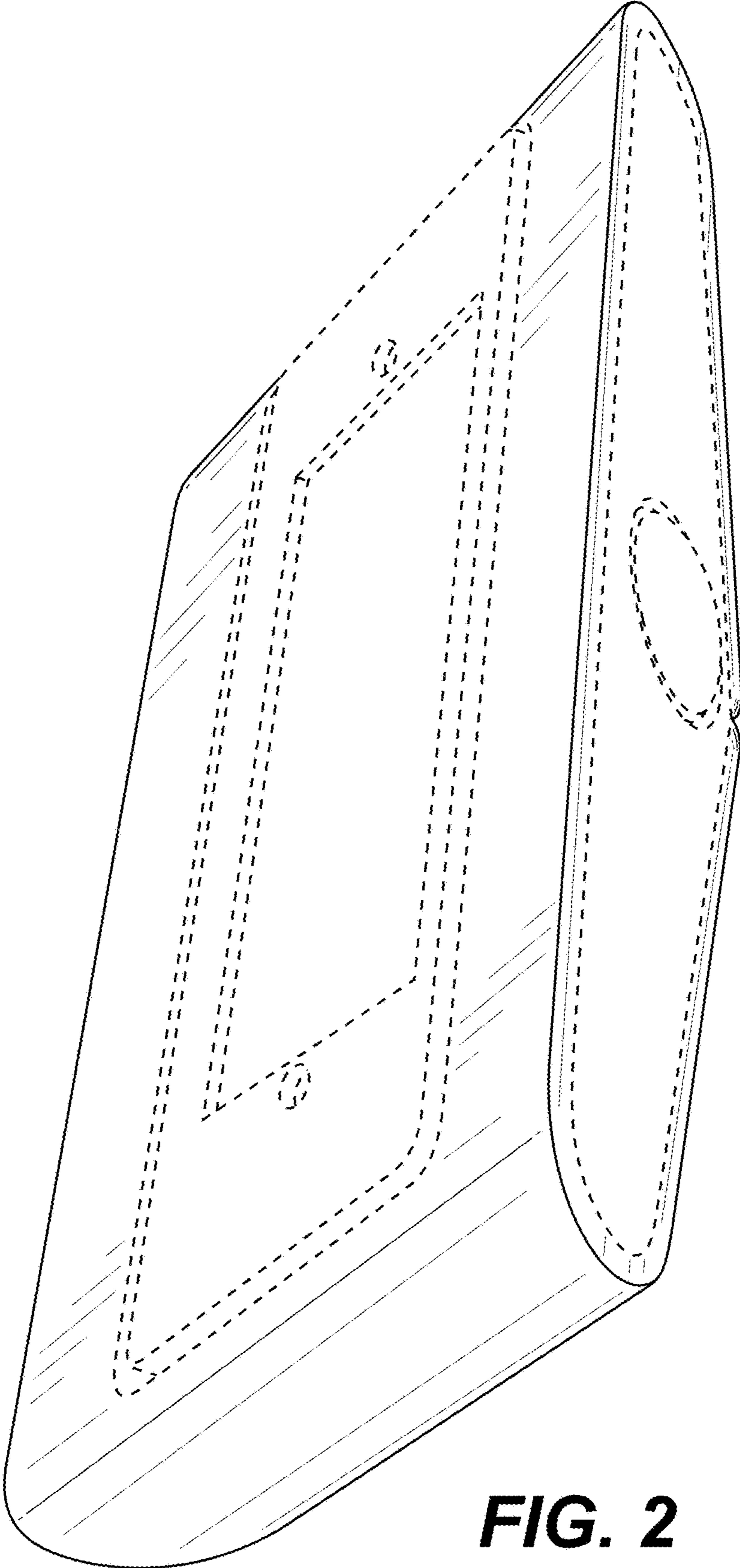
FIG. 1 is a front, left, bottom perspective view of a night light;  
FIG. 2 is a back, left, bottom perspective view thereof;  
FIG. 3 is a front elevation view thereof;  
FIG. 4 is a back elevation view thereof;  
FIG. 5 is a left side view thereof;  
FIG. 6 is a right side view thereof;  
FIG. 7 is a top plan view thereof; and,  
FIG. 8 is a bottom plan view thereof.  
The dashed broken lines depict portions of the night light that form no part of the claimed design.

**1 Claim, 8 Drawing Sheets**

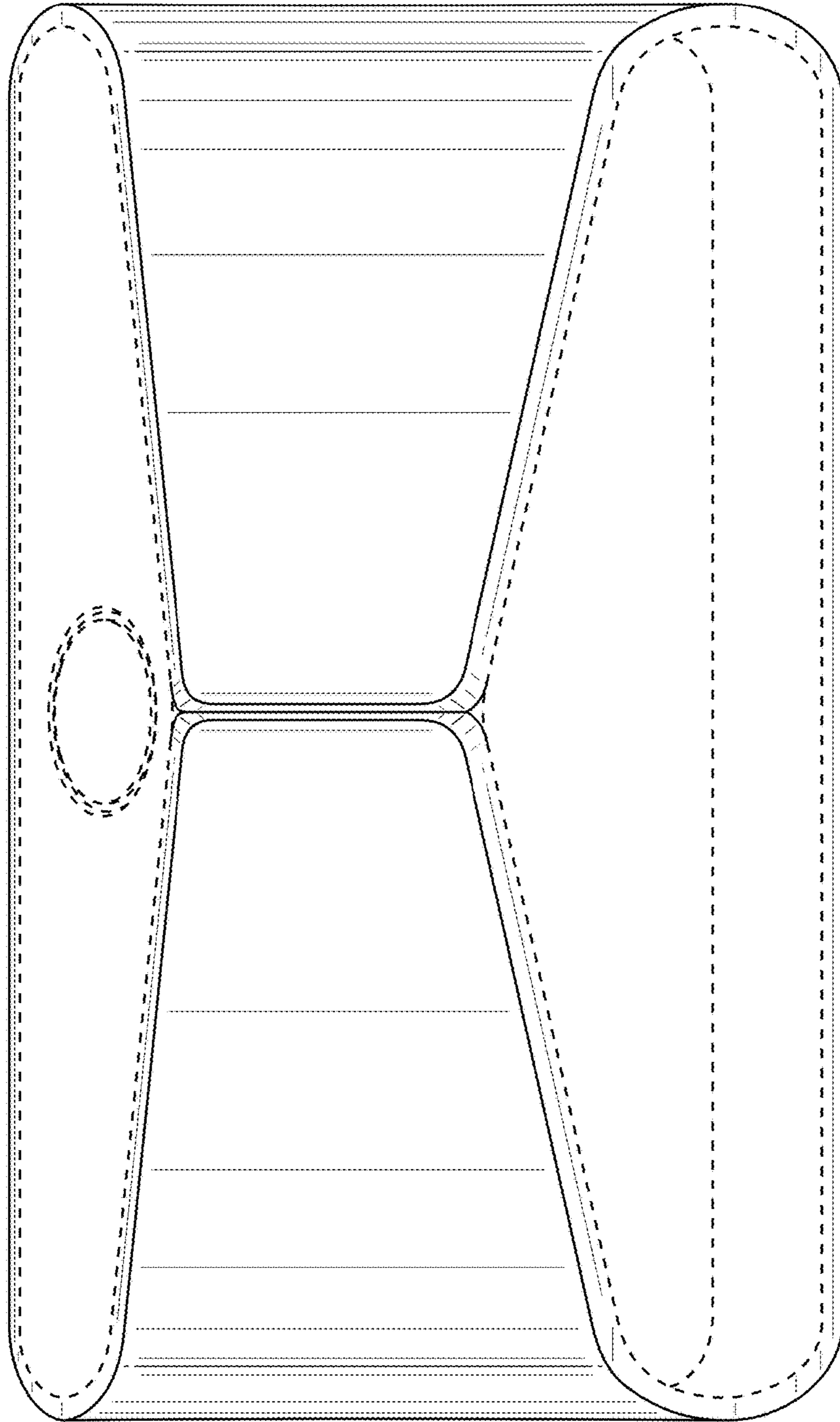




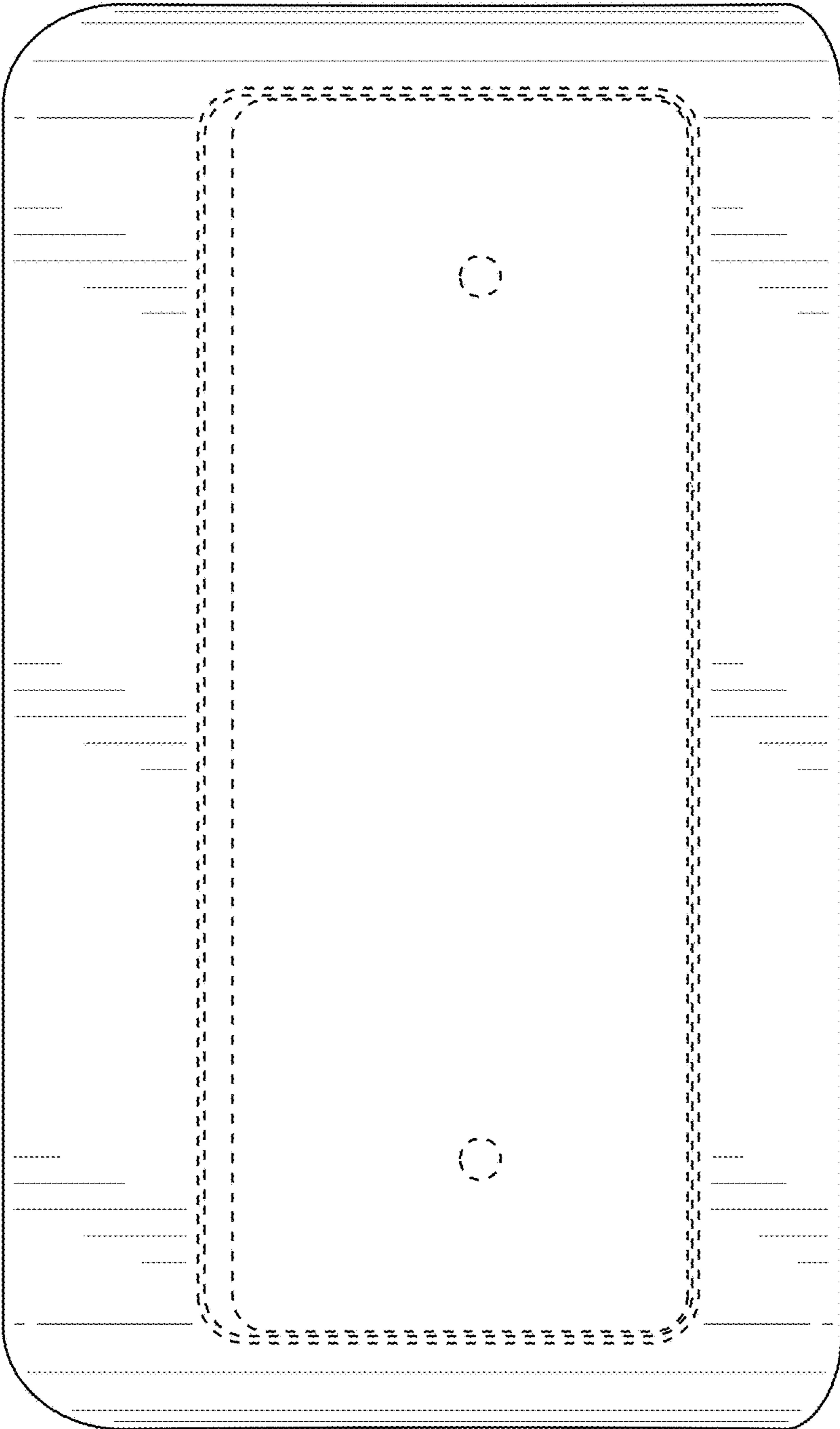
**FIG. 1**



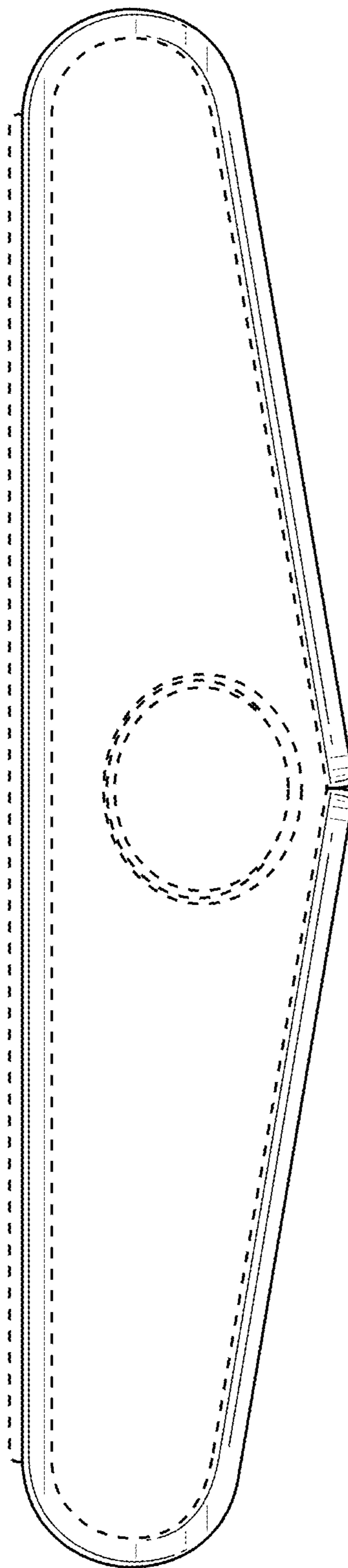
**FIG. 2**



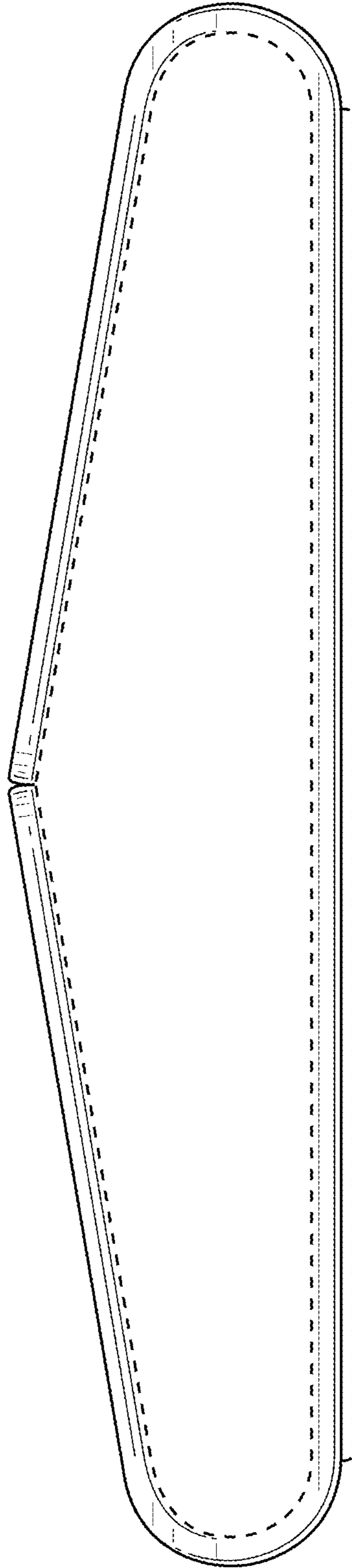
**FIG. 3**



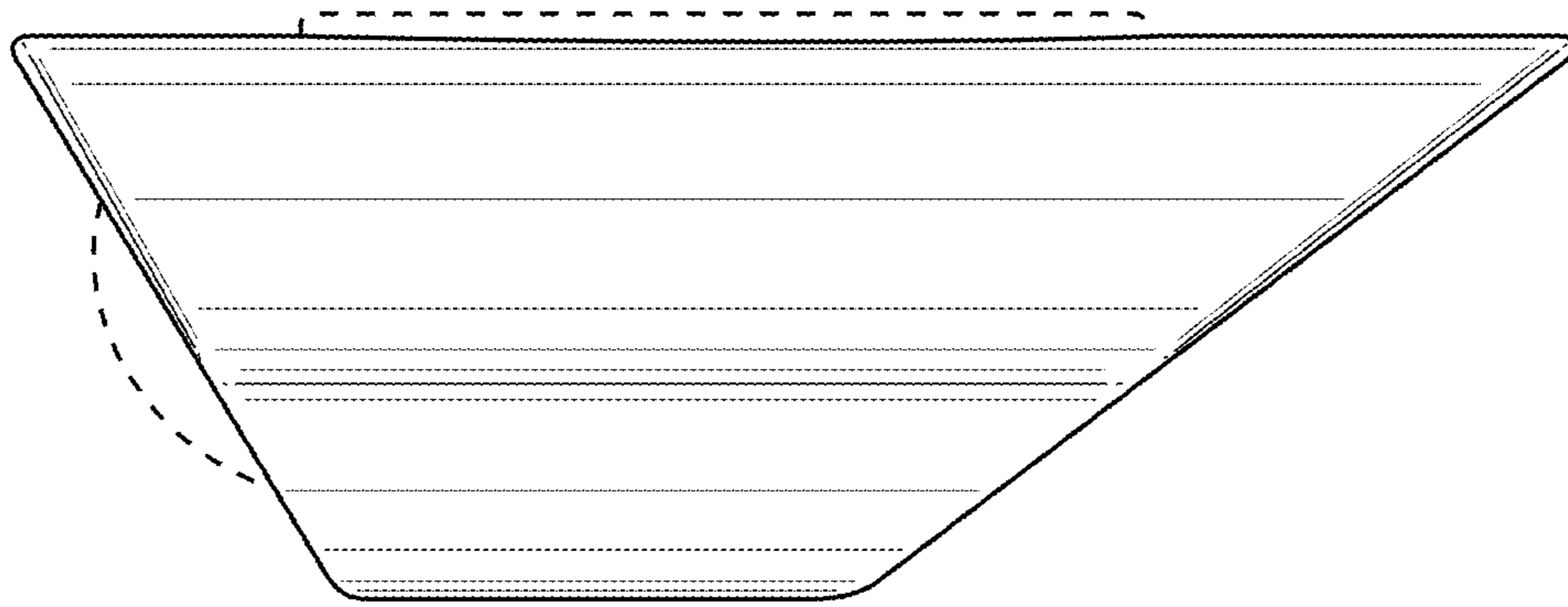
**FIG. 4**



**FIG. 5**

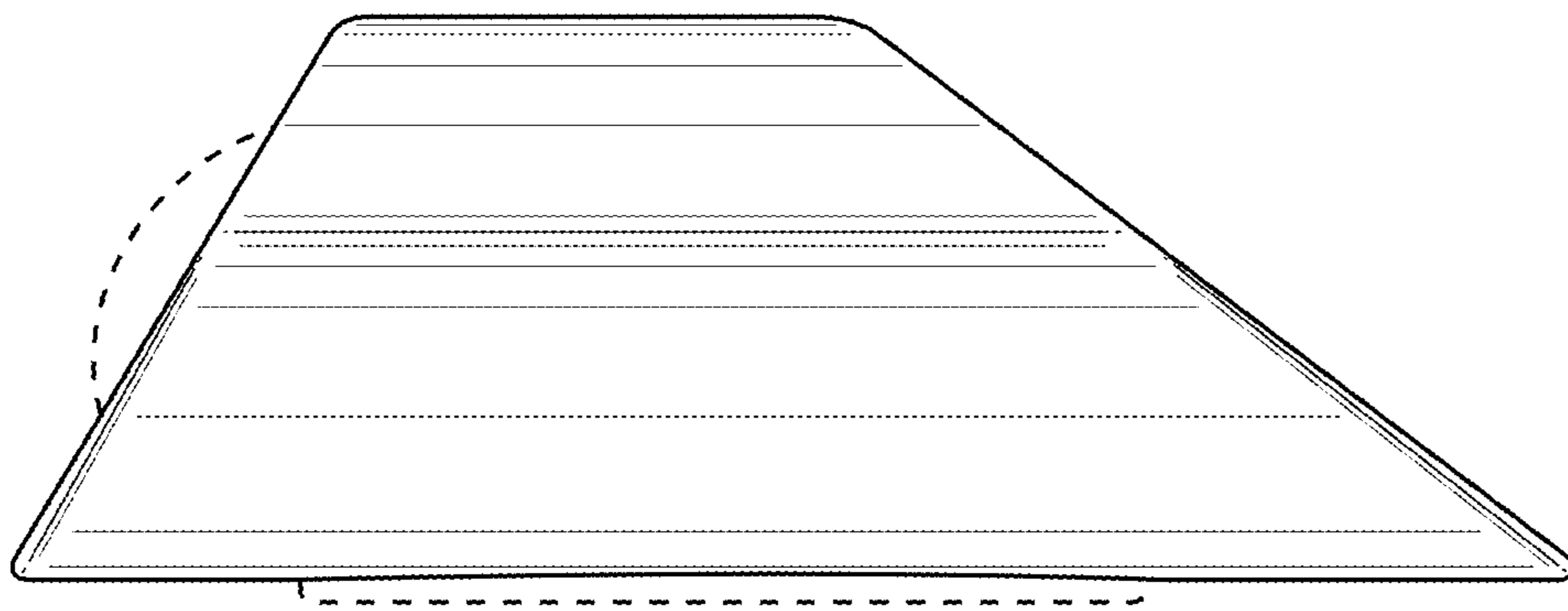


**FIG. 6**



**FIG. 7**





**FIG. 8**