



US00D861224S

(12) **United States Design Patent** (10) **Patent No.:** **US D861,224 S**
Hu (45) **Date of Patent:** **** Sep. 24, 2019**

(54) **SOLAR LAMP**

D848,658 S * 5/2019 Tan D26/85
D849,988 S * 5/2019 Li D26/85
D850,701 S * 6/2019 Zhuo D26/85

(71) Applicant: **MPOW TECHNOLOGY CO., LIMITED**, Hong Kong (HK)

(72) Inventor: **Zaihui Hu**, Shenzhen (CN)

(73) Assignee: **MPOW TECHNOLOGY CO., LIMITED**, Hong Kong (HK)

(**) Term: **15 Years**

(21) Appl. No.: **29/633,542**

(22) Filed: **Jan. 15, 2018**

(51) **LOC (12) Cl.** **26-05**

(52) **U.S. Cl.**
USPC **D26/85**

(58) **Field of Classification Search**
USPC D10/104.1, 106.1, 106.6, 106.8;
D25/133, 135, 136; D26/10, 37, 38, 40,
D26/51, 60, 67, 68, 72, 76, 78, 82, 85,
D26/86, 104, 106, 145
CPC F21S 8/00; F21S 8/02; F21S 8/04; F21S
8/003; F21S 8/006; F21S 6/00; F21S
9/022; F21S 9/037
See application file for complete search history.

(56) **References Cited**

U.S. PATENT DOCUMENTS

D816,259 S * 4/2018 Liu D26/85
D822,874 S * 7/2018 Hu D26/85
D836,816 S * 12/2018 Liu D26/85
D836,817 S * 12/2018 Fang D26/85
D841,218 S * 2/2019 Liu D26/85
D841,864 S * 2/2019 Liu D26/85
D844,212 S * 3/2019 Chen D26/85
D848,049 S * 5/2019 Hu D26/85

OTHER PUBLICATIONS

LITOM Solar Motion Lights, Enhanced 63 LED Solar Lights (available online Nov. 4, 2018) Retrieved from the internet Jun. 6, 2019 from URL: <https://www.amazon.com/63-LED-Solar-Waterproof-Wall/dp/B07K677Q4X>.*

Mpow Solar Lights Outdoor Bright 20 LED Motion Activated Lights (available online Jan. 25, 2018) Retrieved from the internet Jun. 6, 2019 from URL: <https://www.amazon.com/Mpow-Activated-Lighting-Waterproof-Wireless/dp/B0798LDGTS>.*

* cited by examiner

Primary Examiner — Kevin K Rudzinski

Assistant Examiner — Richard Kearney

(74) *Attorney, Agent, or Firm* — JCIPRNET

(57) **CLAIM**

The ornamental design for a solar lamp, as shown and described.

DESCRIPTION

FIG. 1 is a perspective view of a solar lamp showing my new design;

FIG. 2 is another perspective view thereof;

FIG. 3 is a front view thereof;

FIG. 4 is a rear view thereof;

FIG. 5 is a left side view thereof;

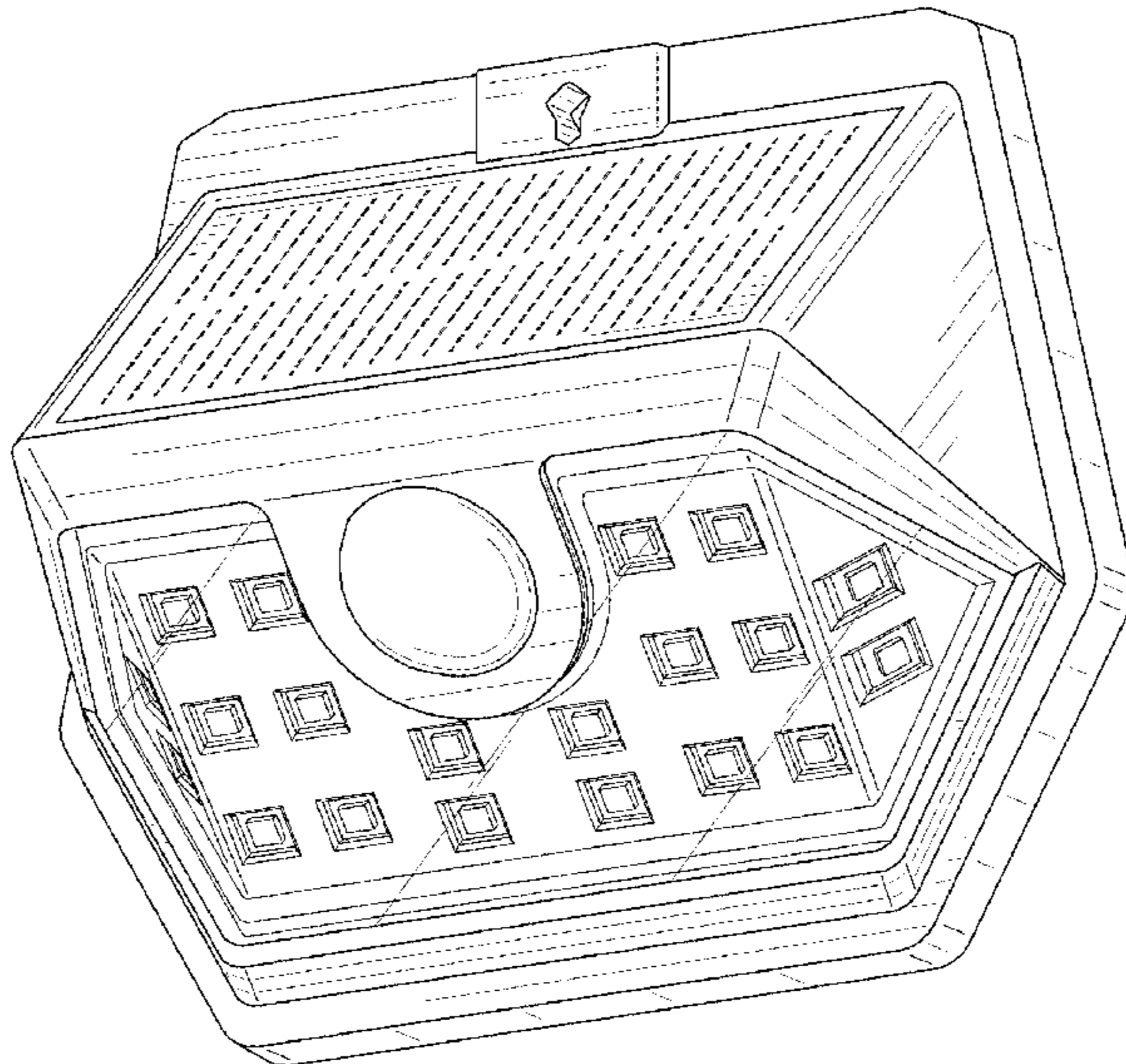
FIG. 6 is a right side view thereof;

FIG. 7 is a top view thereof; and,

FIG. 8 is a bottom view thereof.

The broken lines shown in the drawings illustrate portions of the solar lamp that form no part of the claimed design.

1 Claim, 7 Drawing Sheets



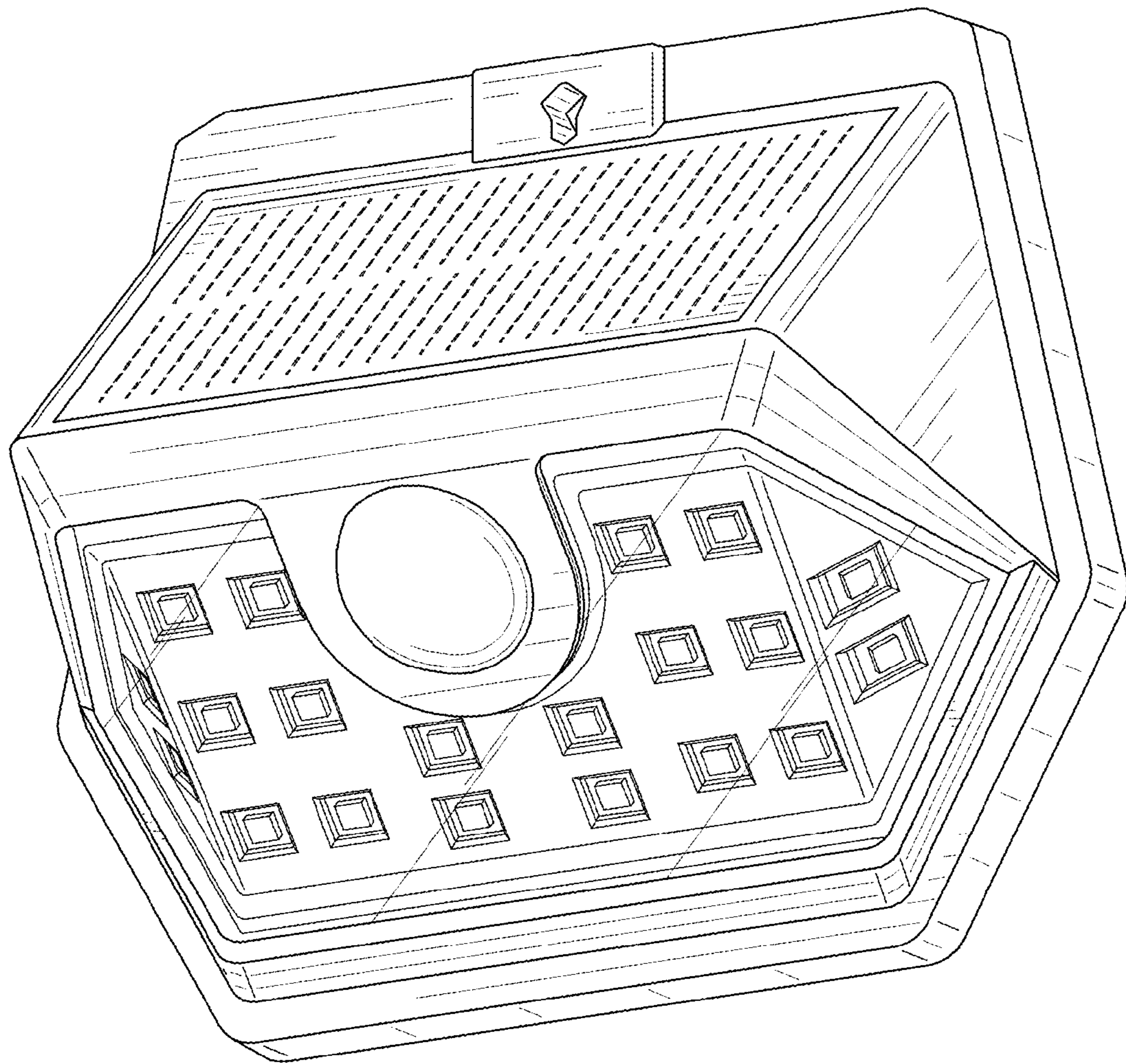


FIG. 1

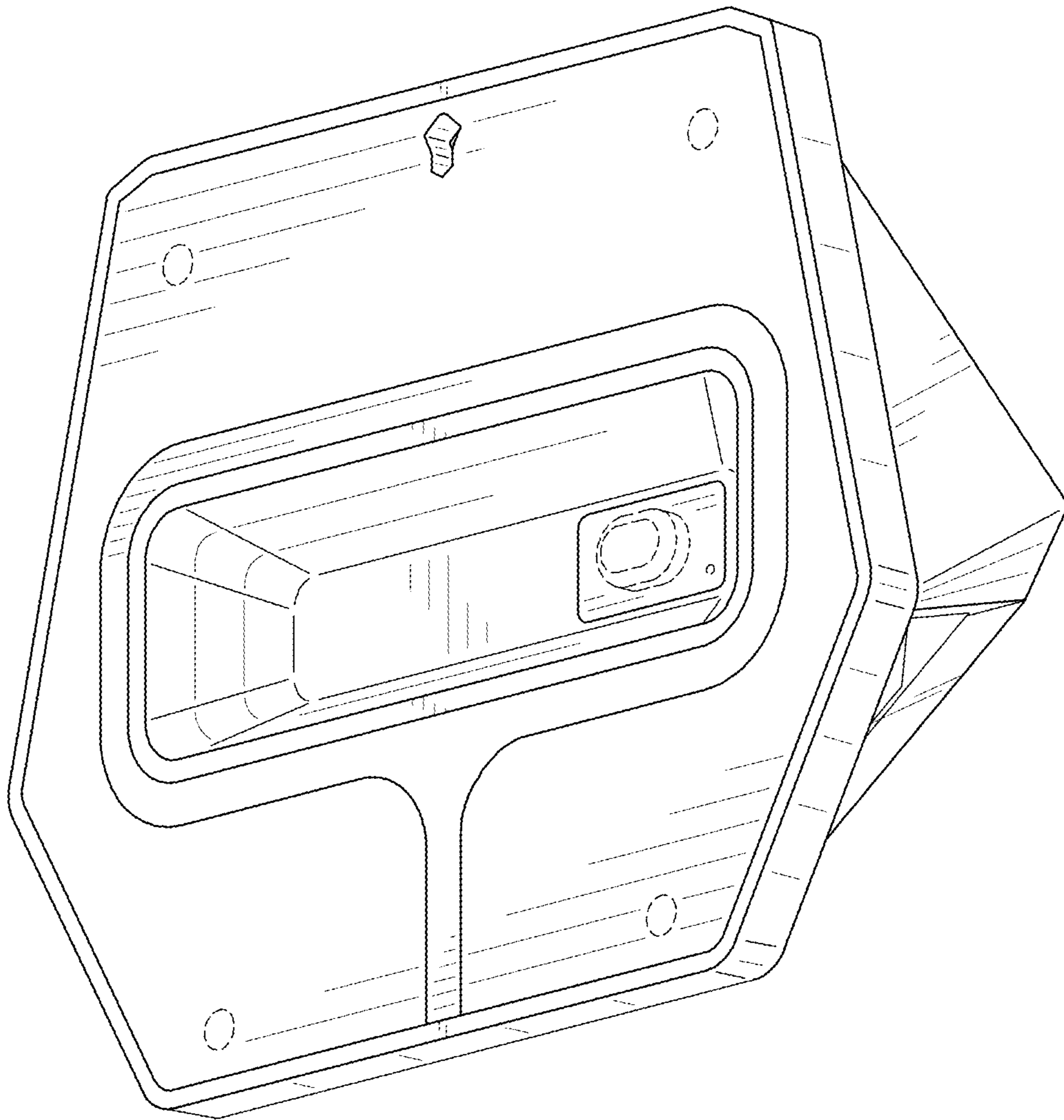


FIG. 2

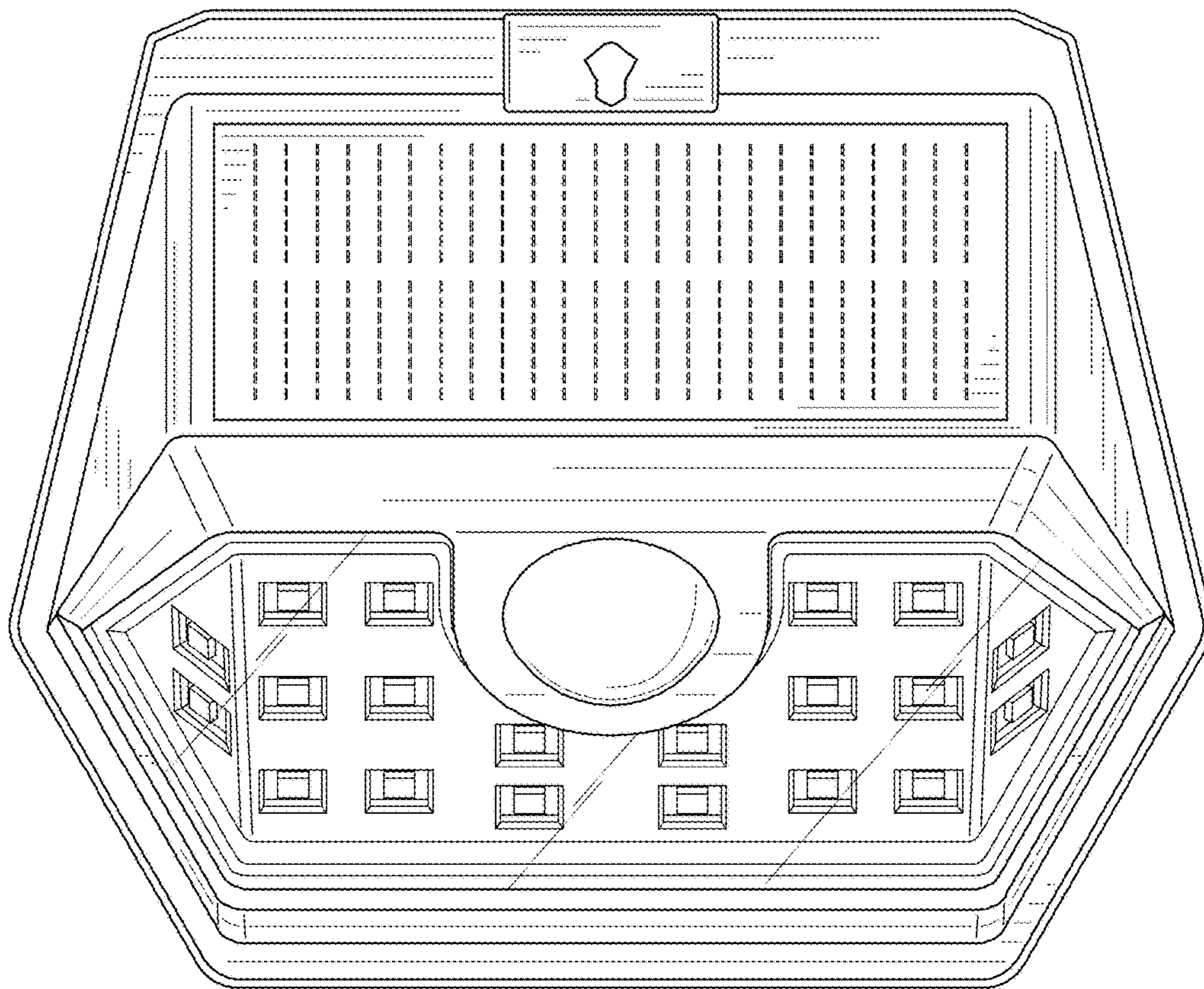


FIG. 3

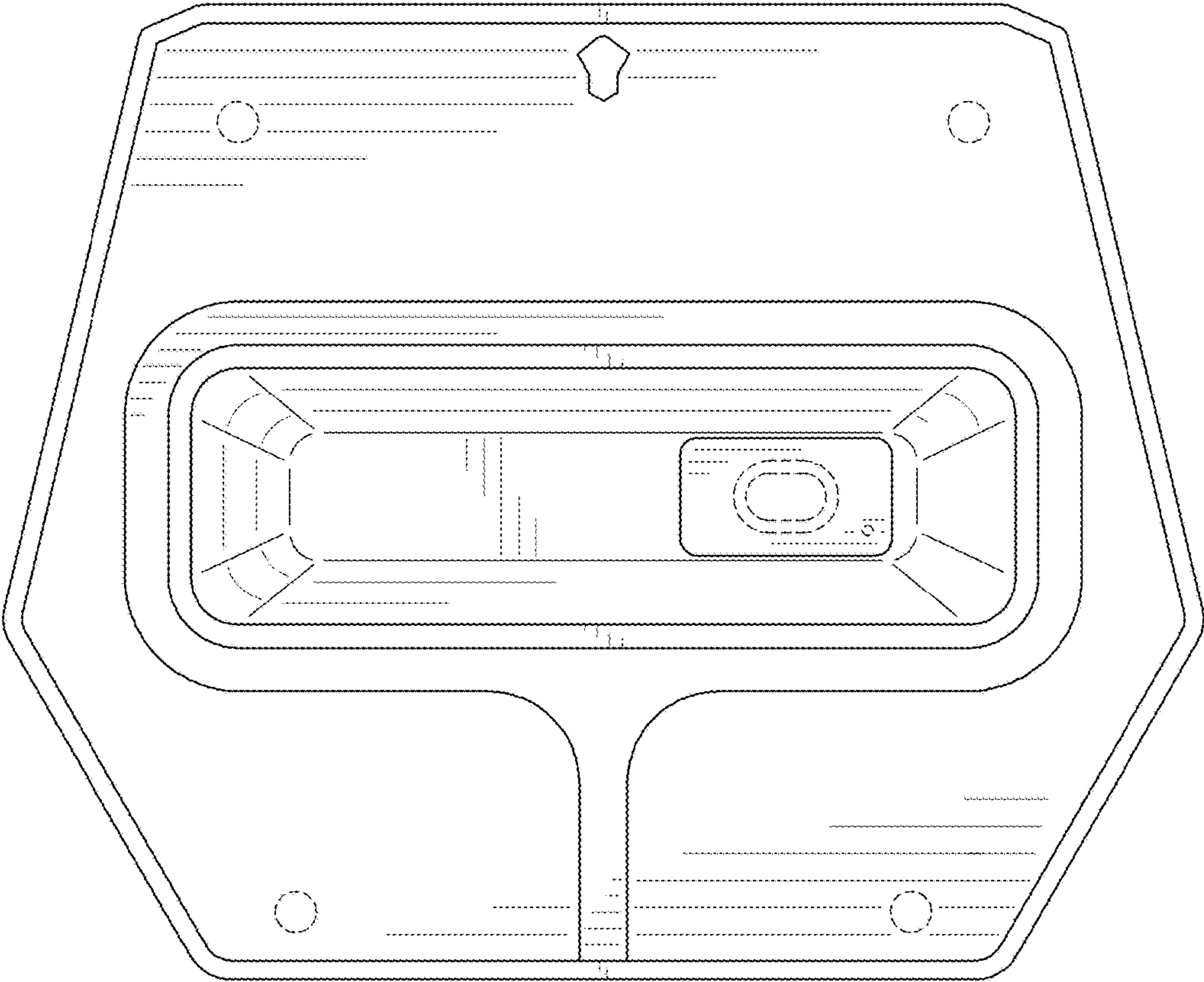


FIG. 4

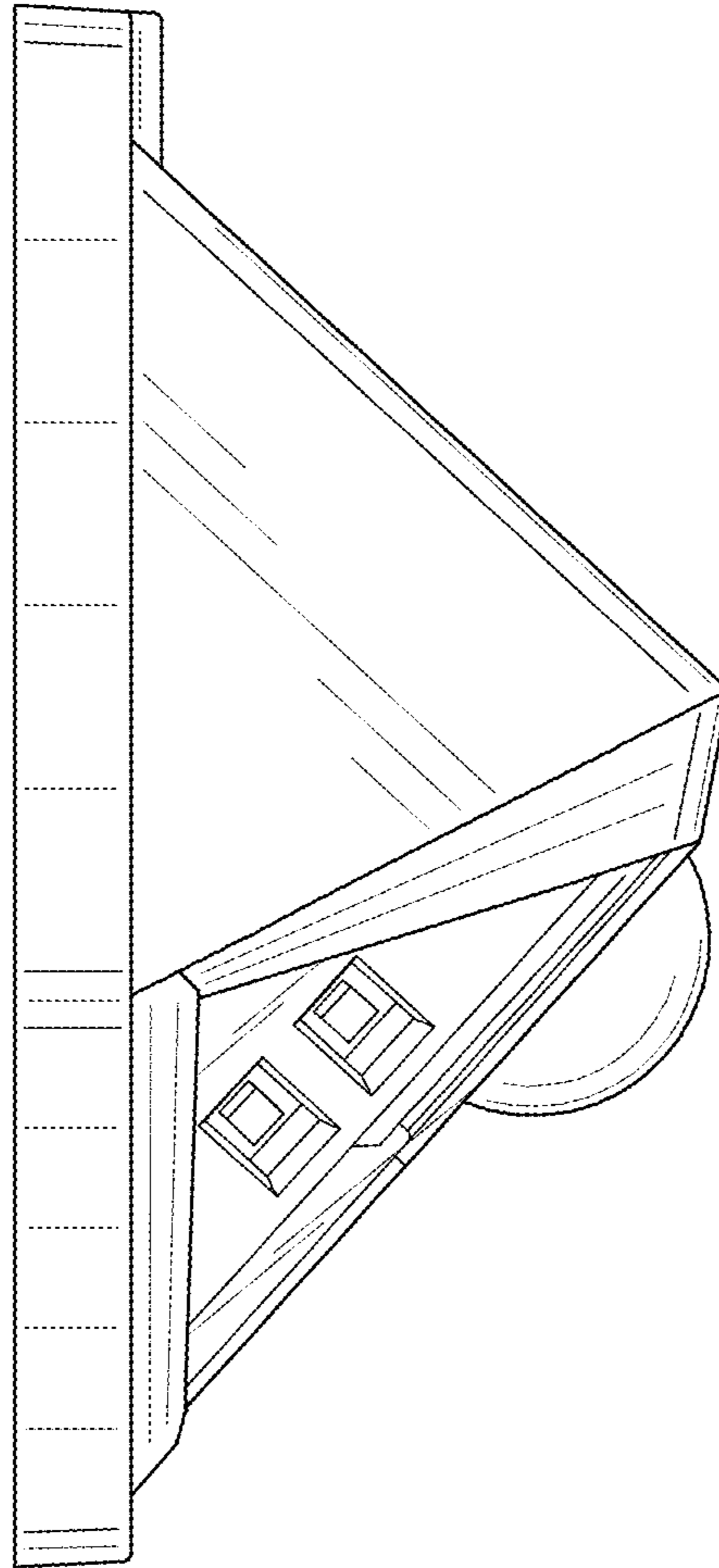


FIG. 5

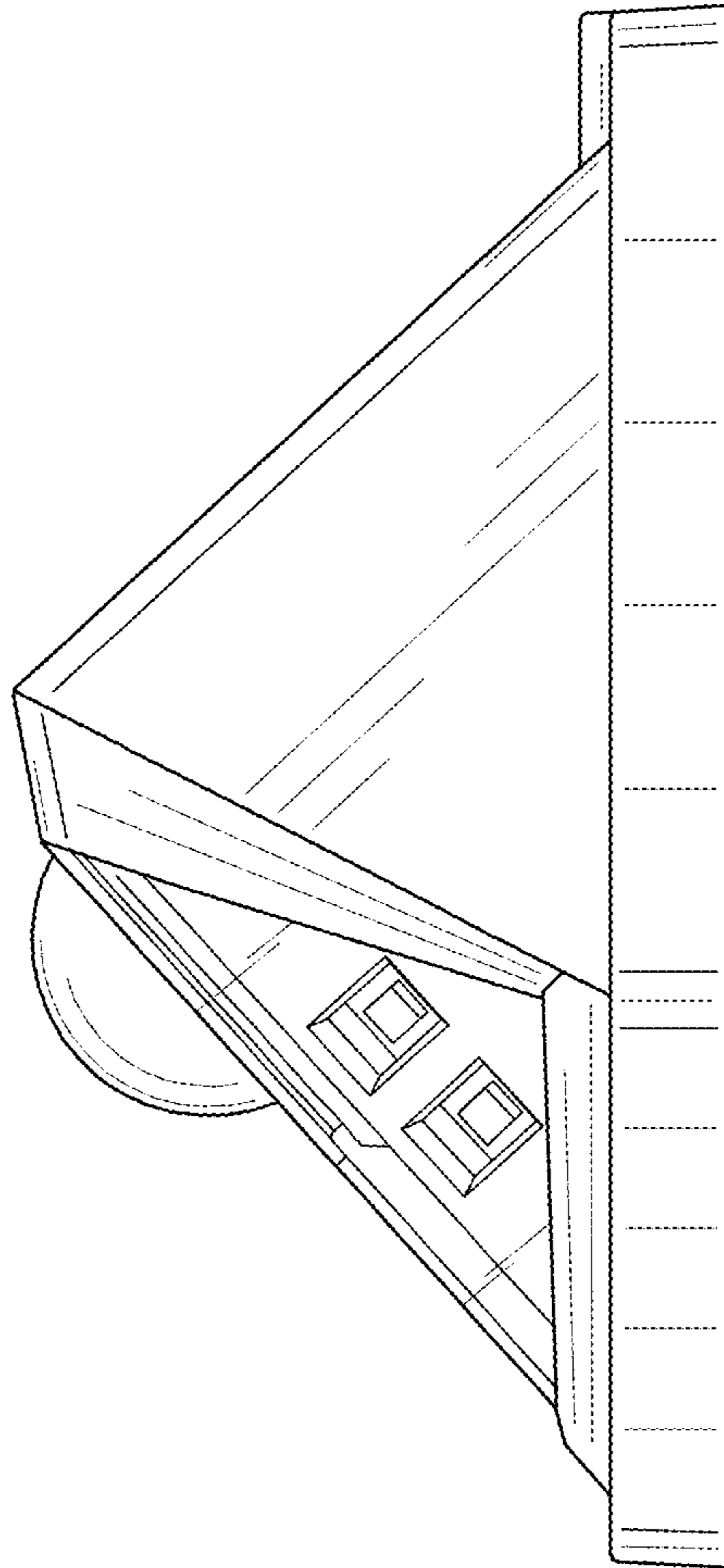


FIG. 6

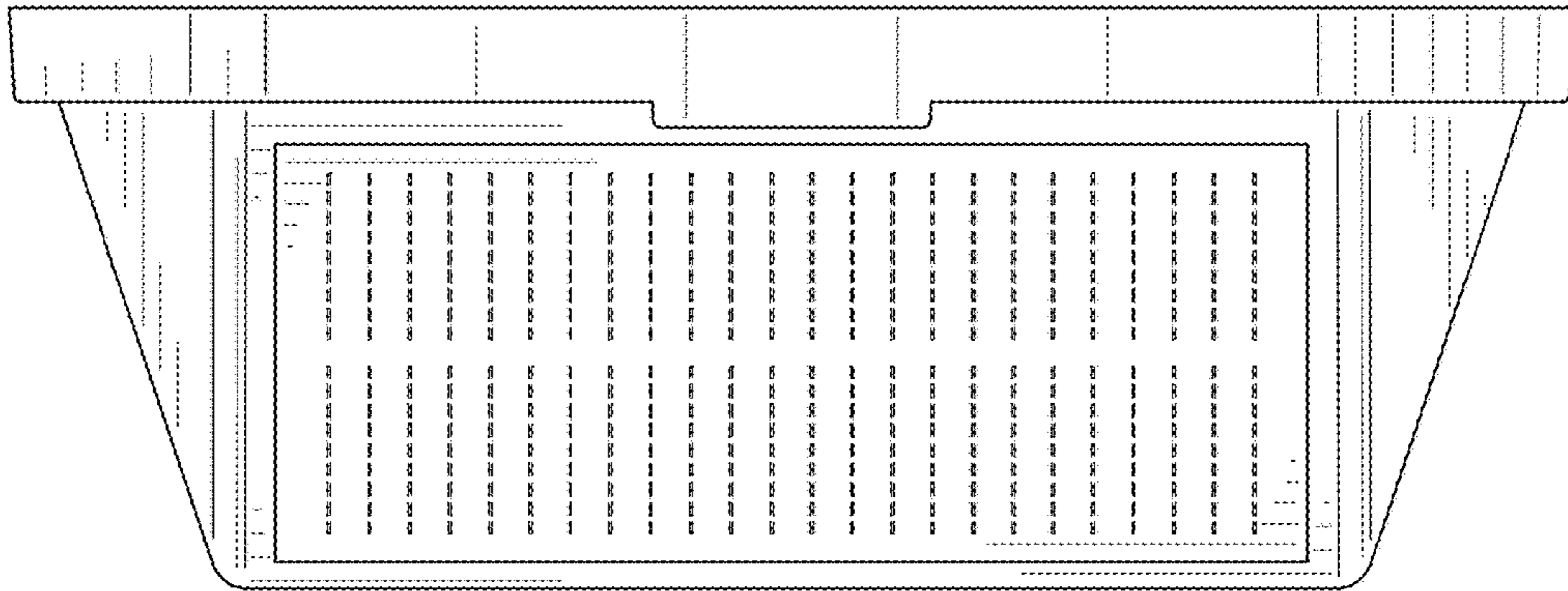


FIG. 7

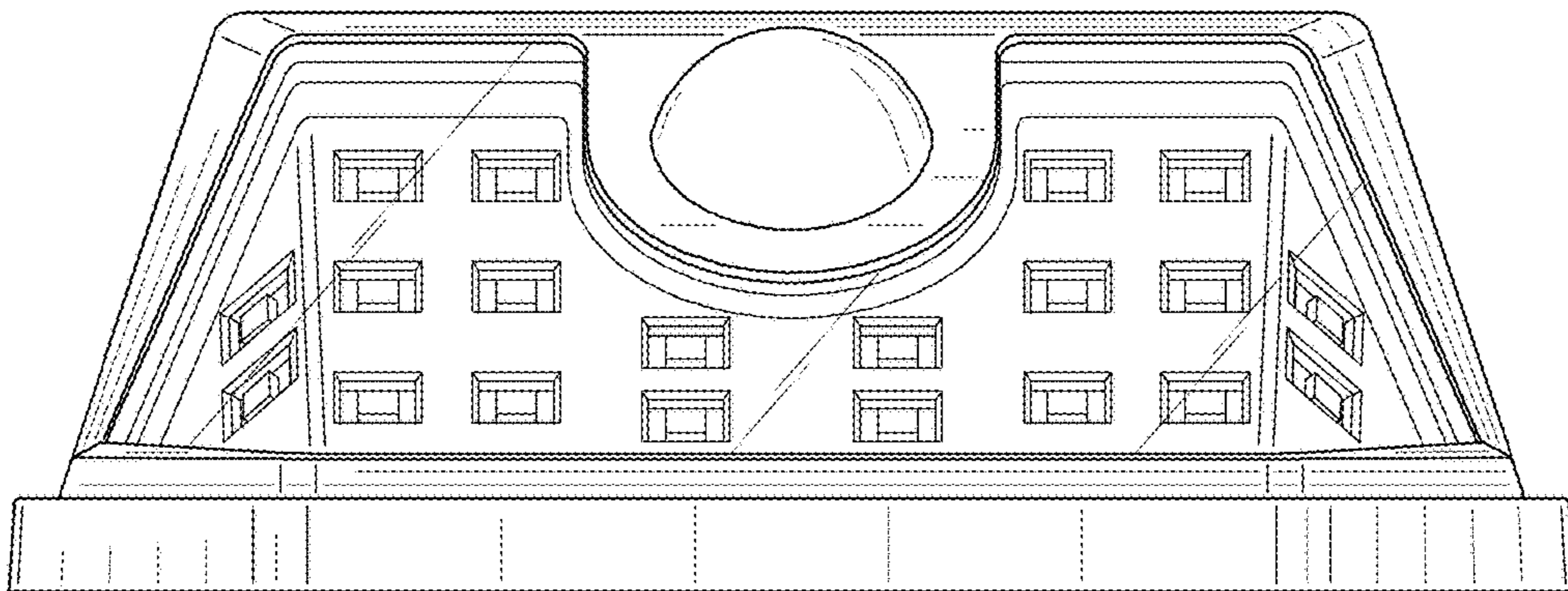


FIG. 8