



US00D861222S

(12) **United States Design Patent** (10) **Patent No.:** **US D861,222 S**  
**Levy et al.** (45) **Date of Patent:** **\*\* Sep. 24, 2019**

(54) **LUMINAIRE**

(71) Applicant: **FUTURE ENERGY SOLUTIONS IP & TRADEMARK, INC.**, Fort Lauderdale, FL (US)

(72) Inventors: **Josef Levy**, Aventura, FL (US); **James Alfred Bears**, Boynton Beach, FL (US)

(73) Assignee: **Future Energy Solutions IP & Trademark, Inc.**, Fort Lauderdale, FL (US)

(\*\*) Term: **15 Years**

(21) Appl. No.: **29/622,289**

(22) Filed: **Oct. 16, 2017**

(51) **LOC (12) Cl.** ..... **26-05**

(52) **U.S. Cl.**  
USPC ..... **D26/71**

(58) **Field of Classification Search**  
USPC ..... D26/67-71, 92, 118  
CPC .... F21S 8/033; F21S 8/036; F21S 8/08; F21S 8/081; F21S 8/085; F21S 8/086; F21S 6/003; F21W 2131/1005; F21W 2131/103; F21W 2131/107; F21W 2131/109

See application file for complete search history.

(56) **References Cited**

**U.S. PATENT DOCUMENTS**

D391,659 S *	3/1998	Gaskins	.....	D26/71
D556,935 S *	12/2007	Quioque	.....	D26/71
D652,557 S *	1/2012	Boissevain	.....	D26/71
D652,978 S *	1/2012	Boissevain	.....	D26/71
D688,404 S *	8/2013	Boissevain	.....	D26/71
D689,233 S *	9/2013	Boissevain	.....	D26/71
D767,196 S *	9/2016	Duckworth	.....	D26/92
D810,985 S *	2/2018	McCracken, Jr.	.....	D26/71

2018/0045385 A1 *	2/2018	Tyukhova	.....	H05B 33/0872
2018/0080639 A1 *	3/2018	Papai	.....	F21V 21/116
2018/0238505 A1 *	8/2018	Cartmill	.....	F21V 5/04
2019/0003687 A1 *	1/2019	Chiu	.....	F21V 17/10
2019/0017667 A1 *	1/2019	Mitchell	.....	F21S 8/086

\* cited by examiner

*Primary Examiner* — Clare E Heflin

(74) *Attorney, Agent, or Firm* — Laurence A. Greenberg; Werner H. Stemer; Ralph E. Locher

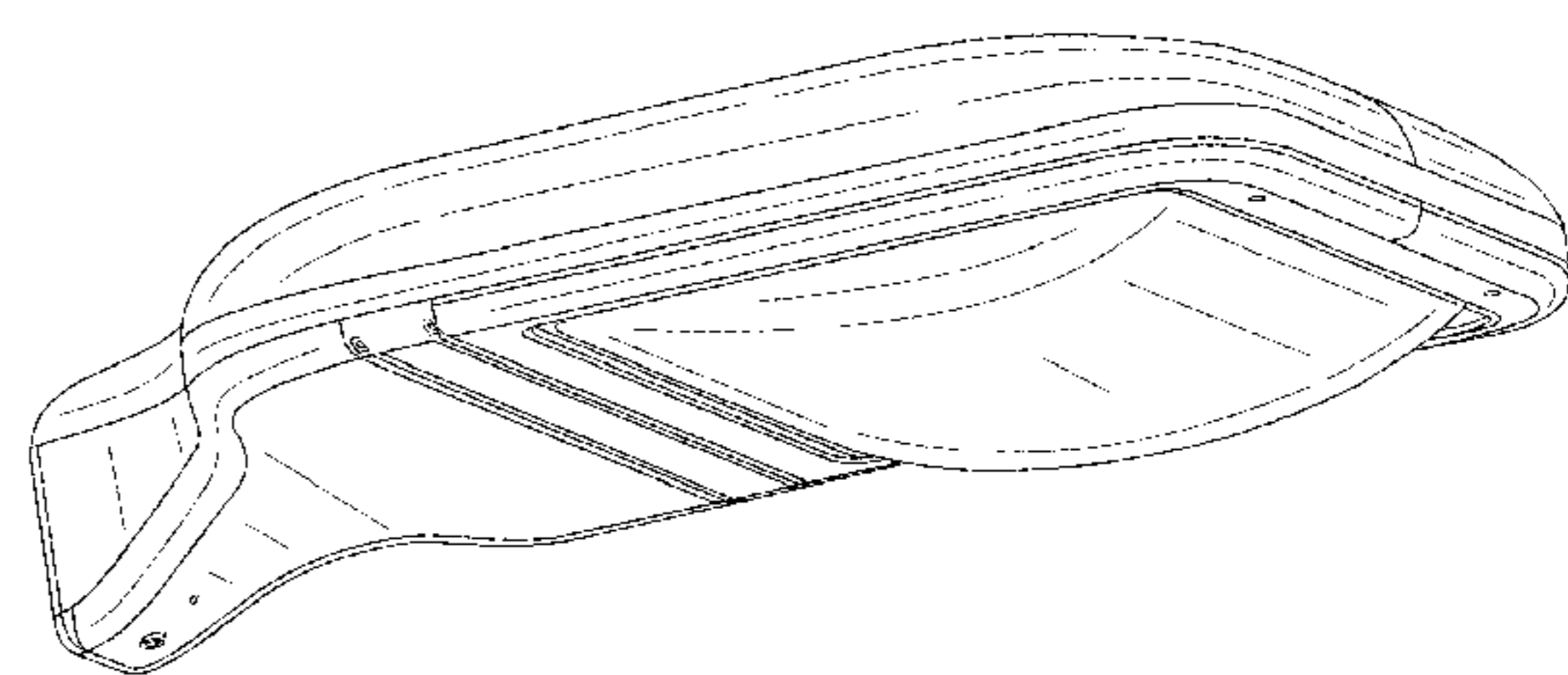
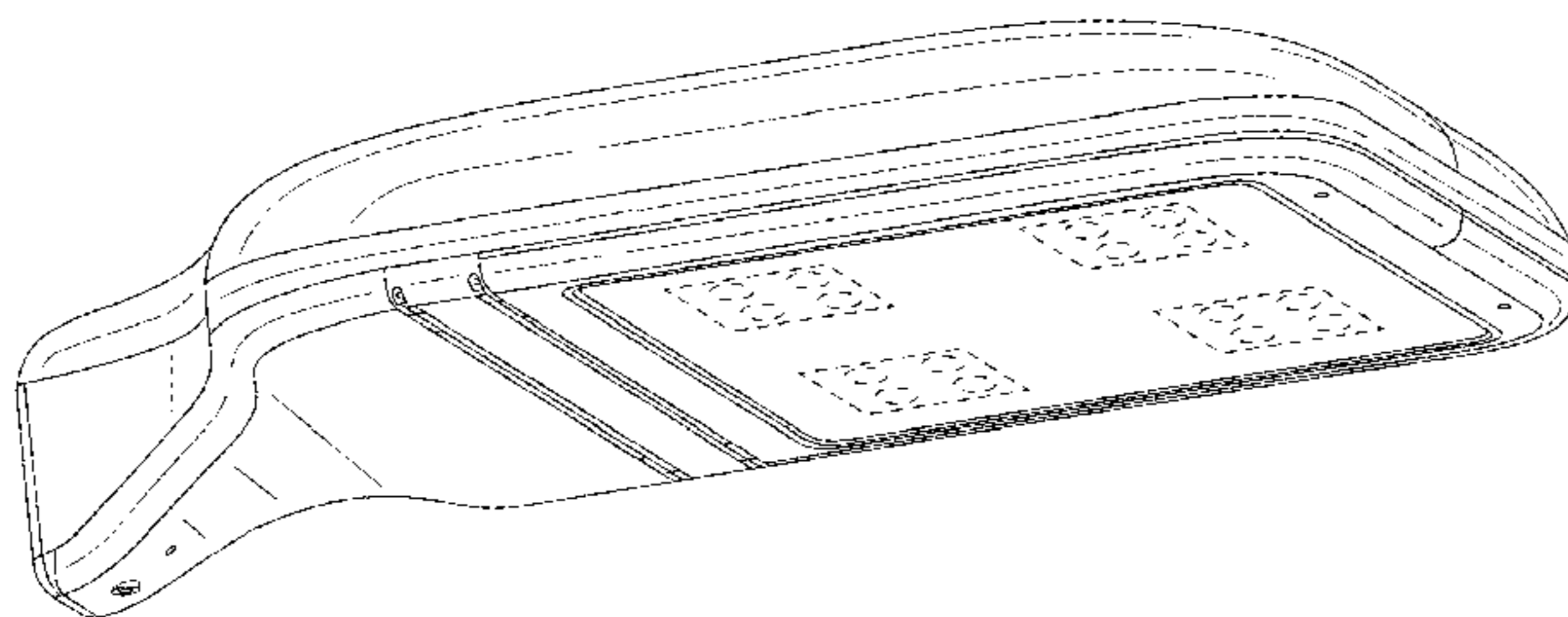
(57) **CLAIM**

The ornamental design for a luminaire, as shown and described.

**DESCRIPTION**

FIG. 1 is a front-elevational view of a first embodiment of the luminaire showing my new invention; FIG. 2 is a rear-elevational view thereof; FIG. 3 is a left side-elevational view thereof; FIG. 4 is a right side-elevational view thereof; FIG. 5 is a bottom-plan view thereof; FIG. 6 is a top-plan view thereof; FIG. 7 is a perspective view thereof; FIG. 8 is a perspective view thereof in an open condition. FIG. 9 is a front-elevational view of a second embodiment of the luminaire showing my new invention; FIG. 10 is a rear-elevational view thereof; FIG. 11 is a left side-elevational view thereof; FIG. 12 is a right side-elevational view thereof; FIG. 13 is a bottom-plan view thereof; FIG. 14 is a top-plan view thereof; FIG. 15 is a perspective view thereof; and, FIG. 16 is a perspective view thereof in an open condition. The dashed broken lines represent unclaimed LED modules and incandescent light bulbs.

**1 Claim, 6 Drawing Sheets**



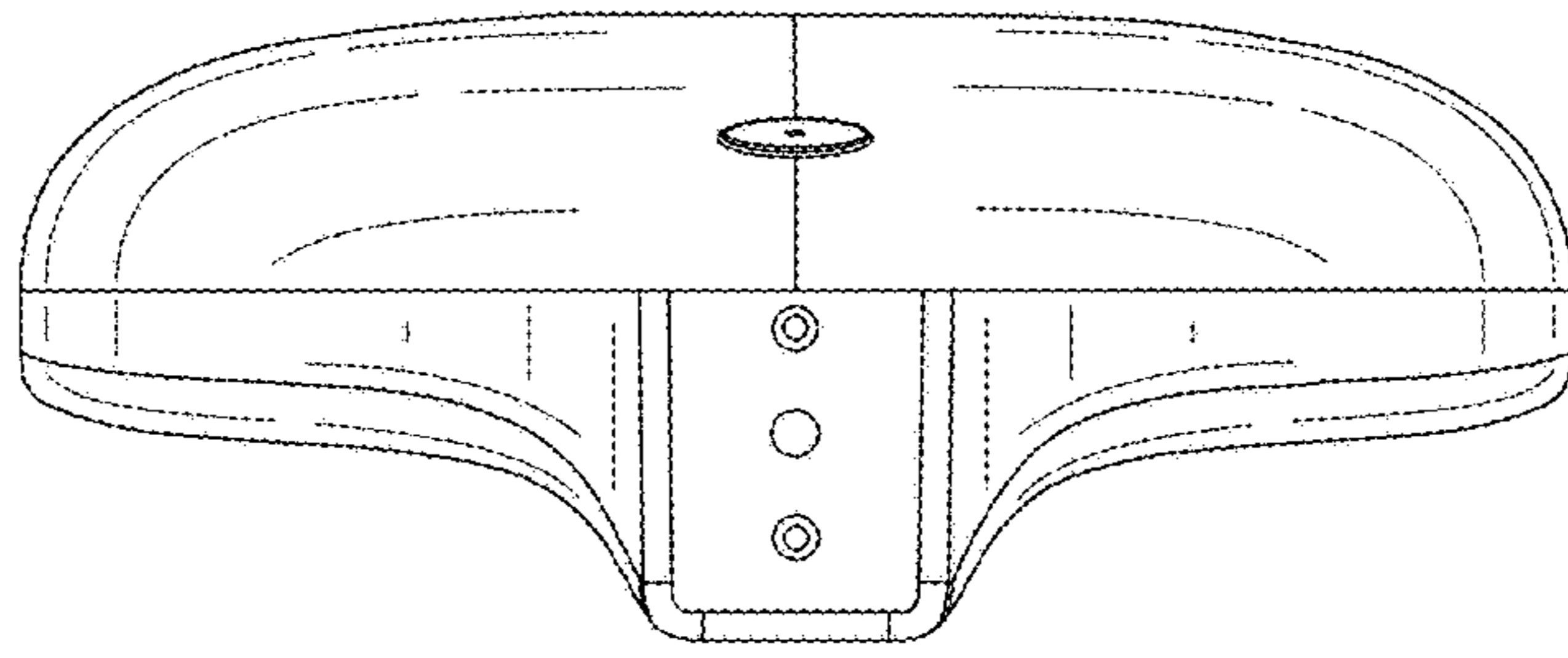


FIG. 2

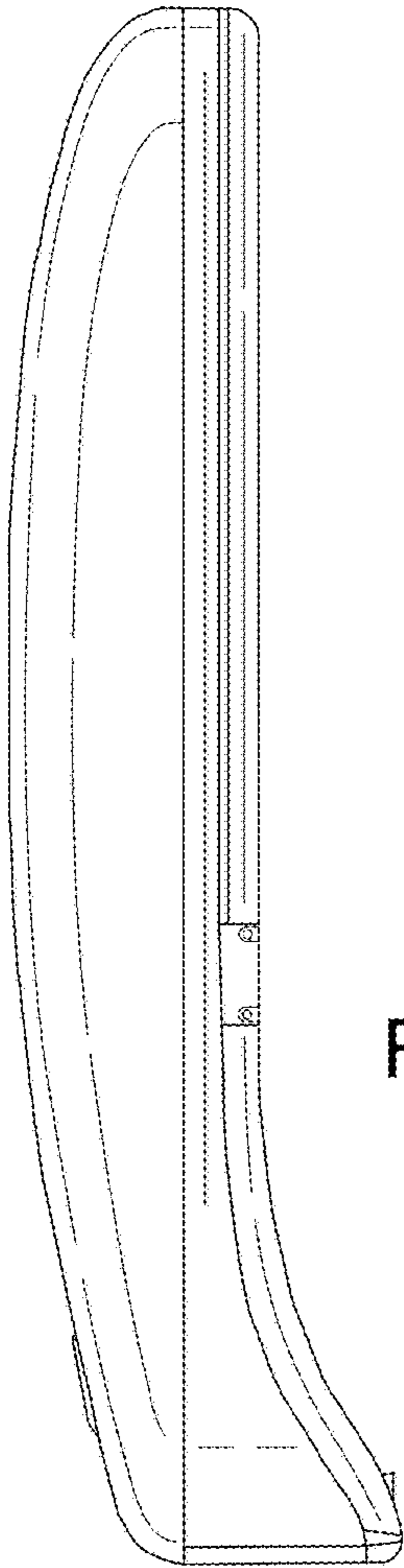


FIG. 3

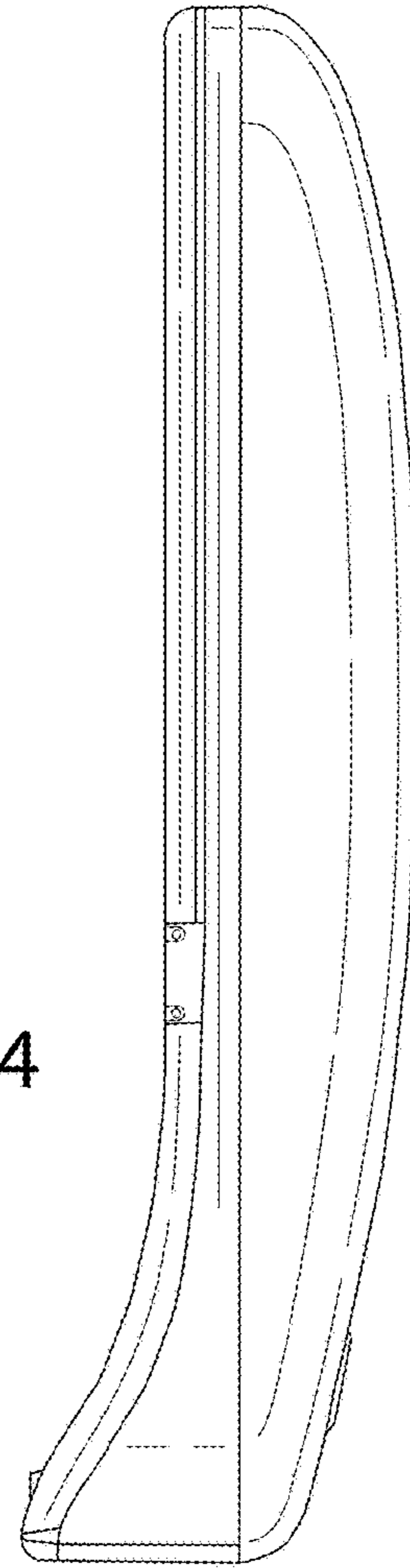


FIG. 4

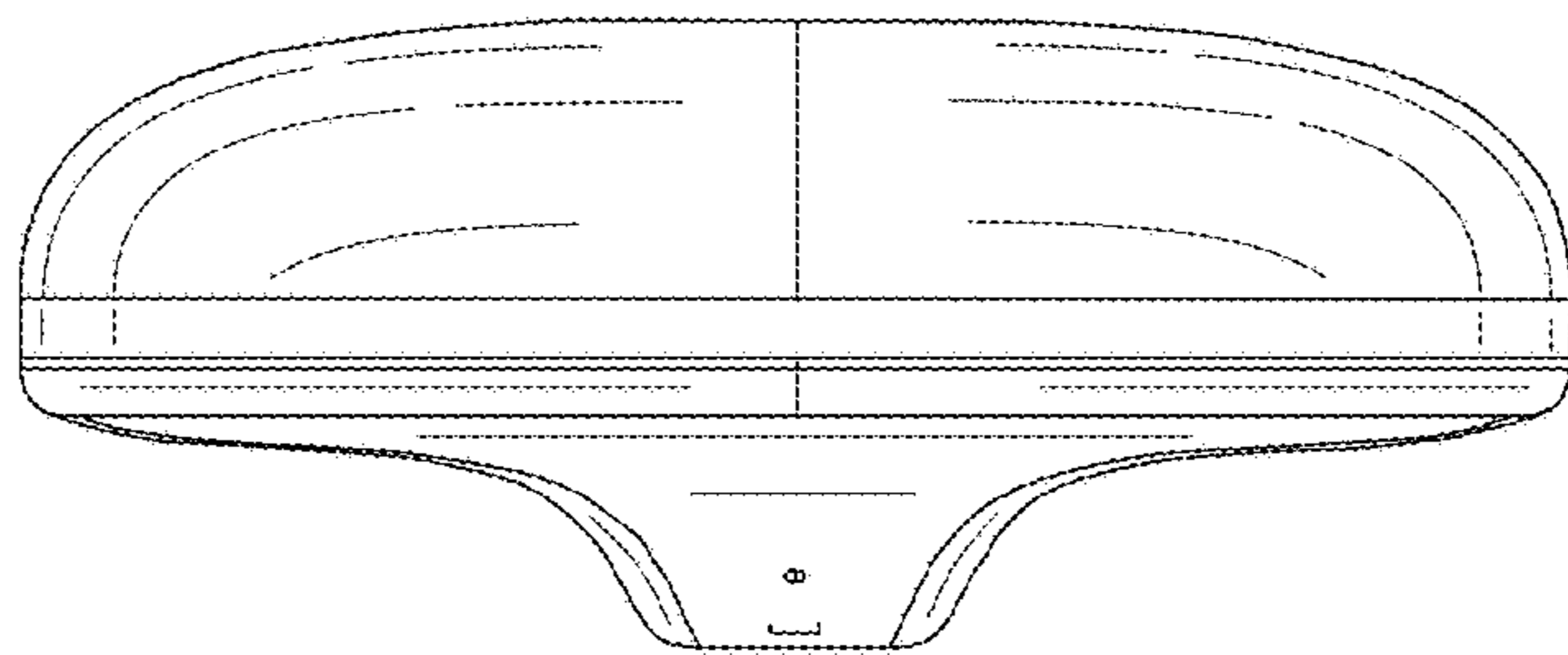


FIG. 1

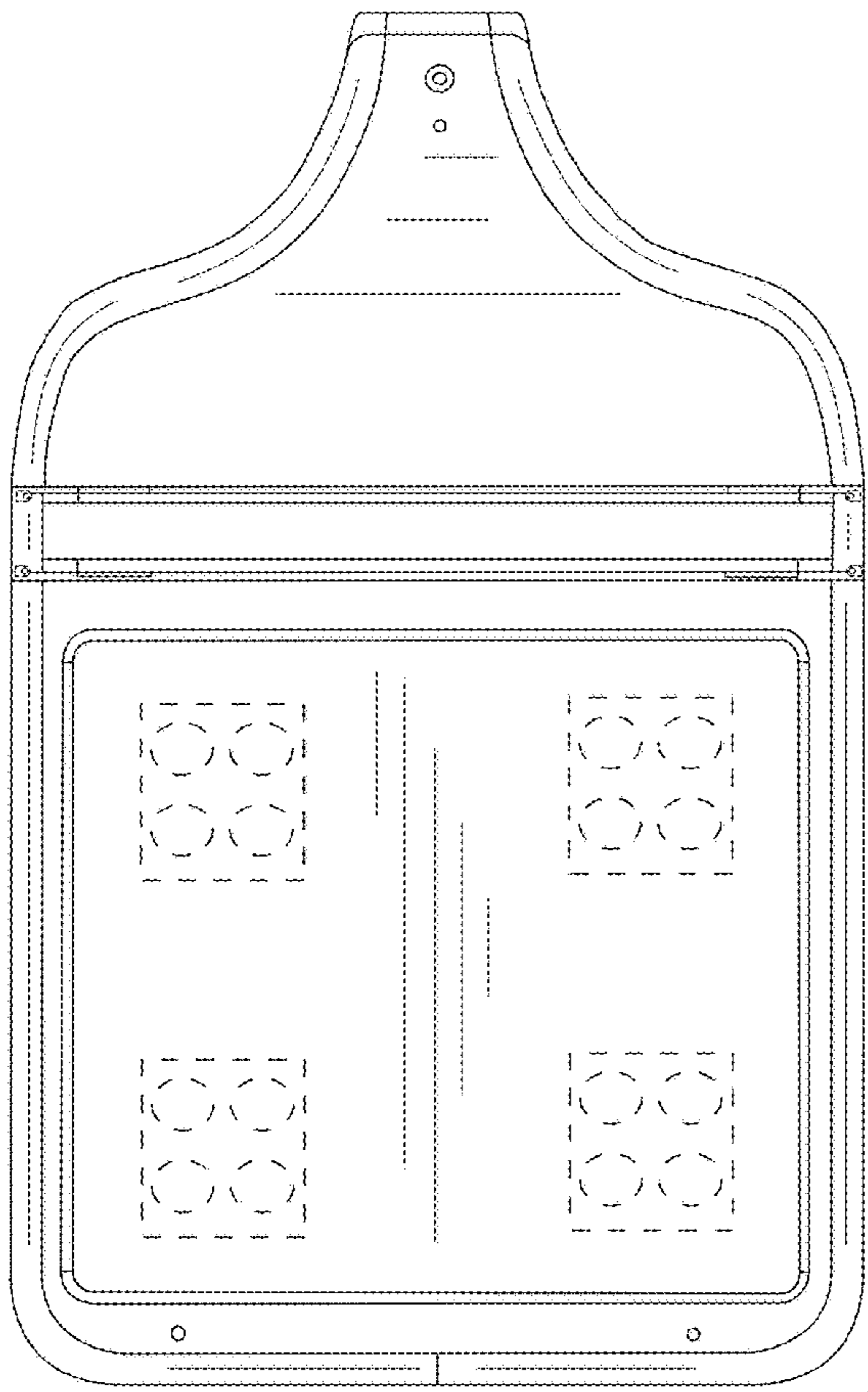


FIG. 5

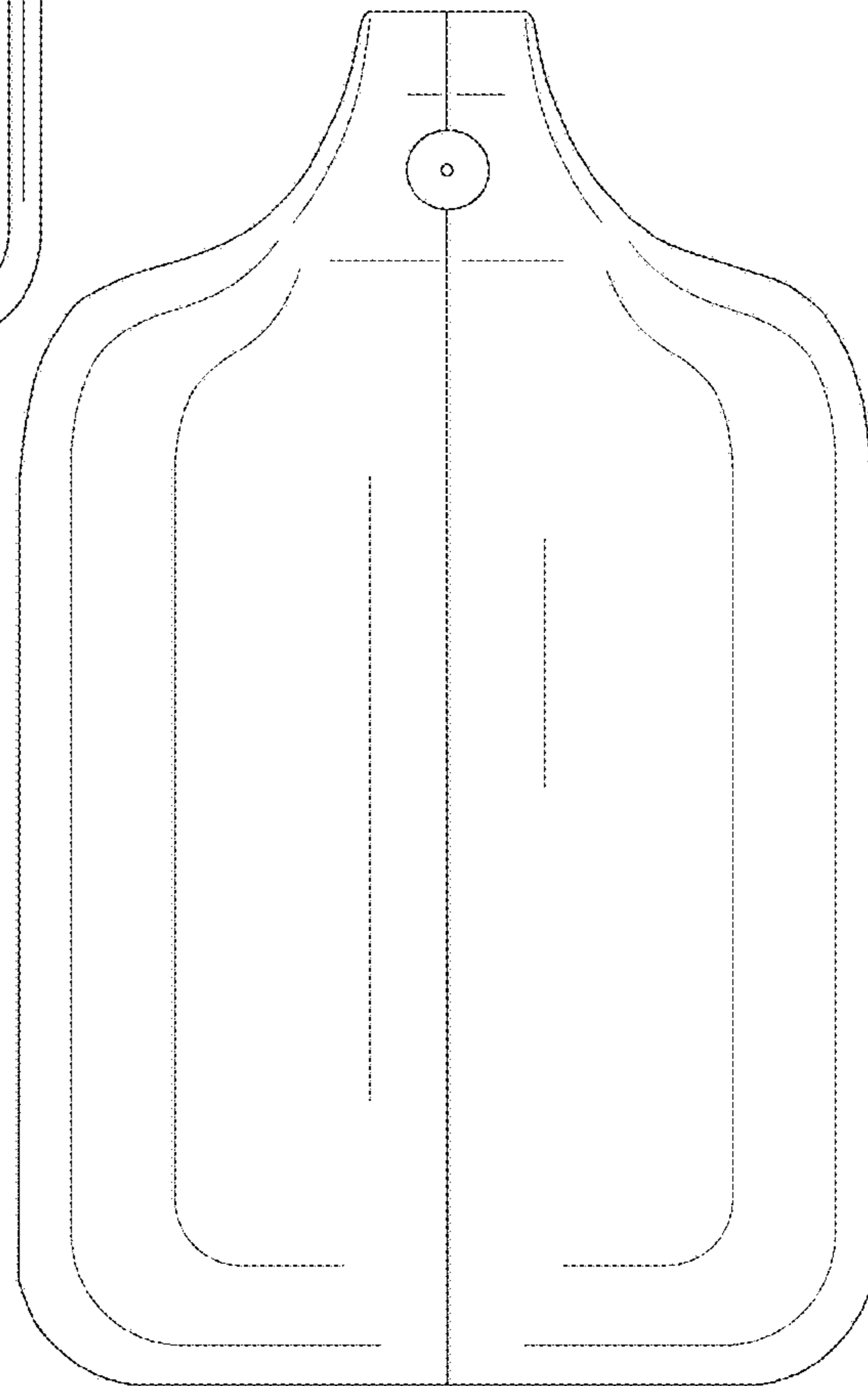


FIG. 6



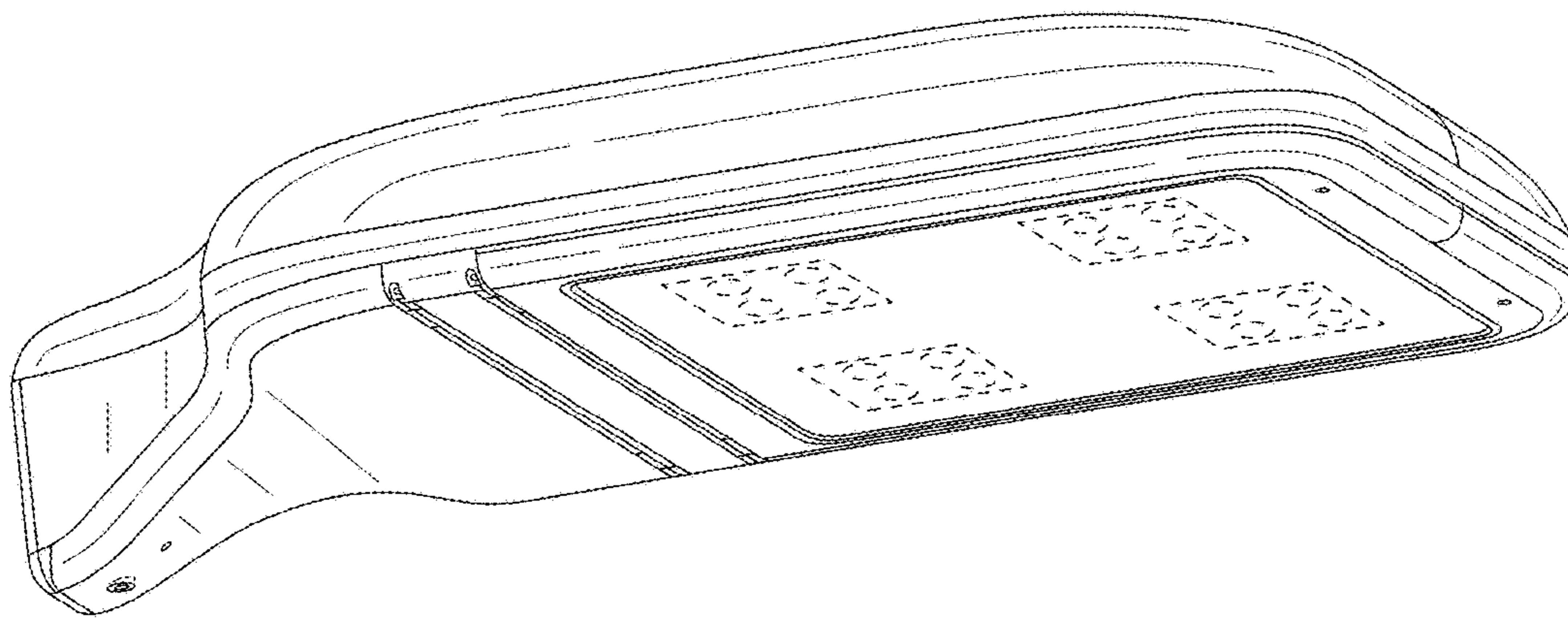


FIG. 7

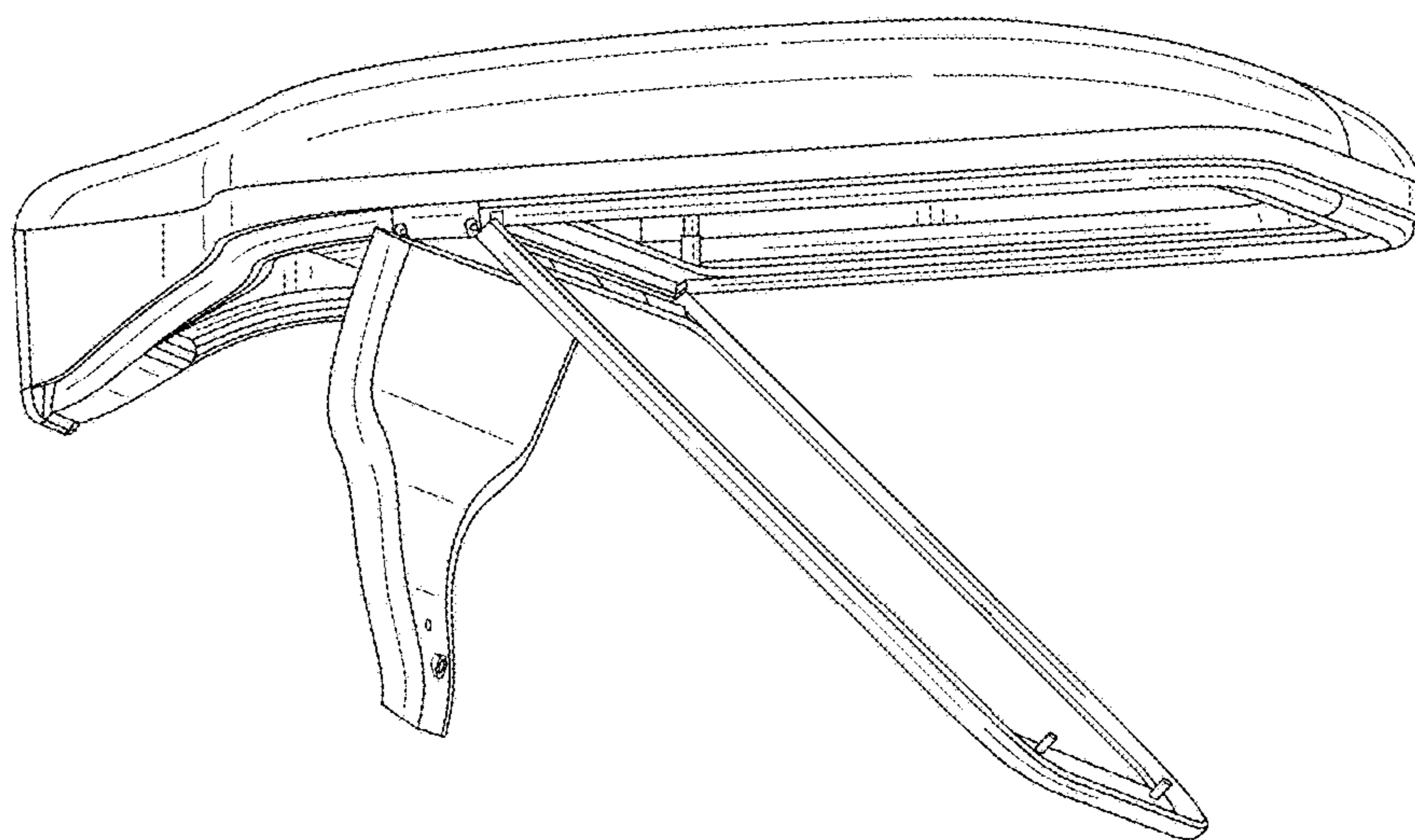


FIG. 8

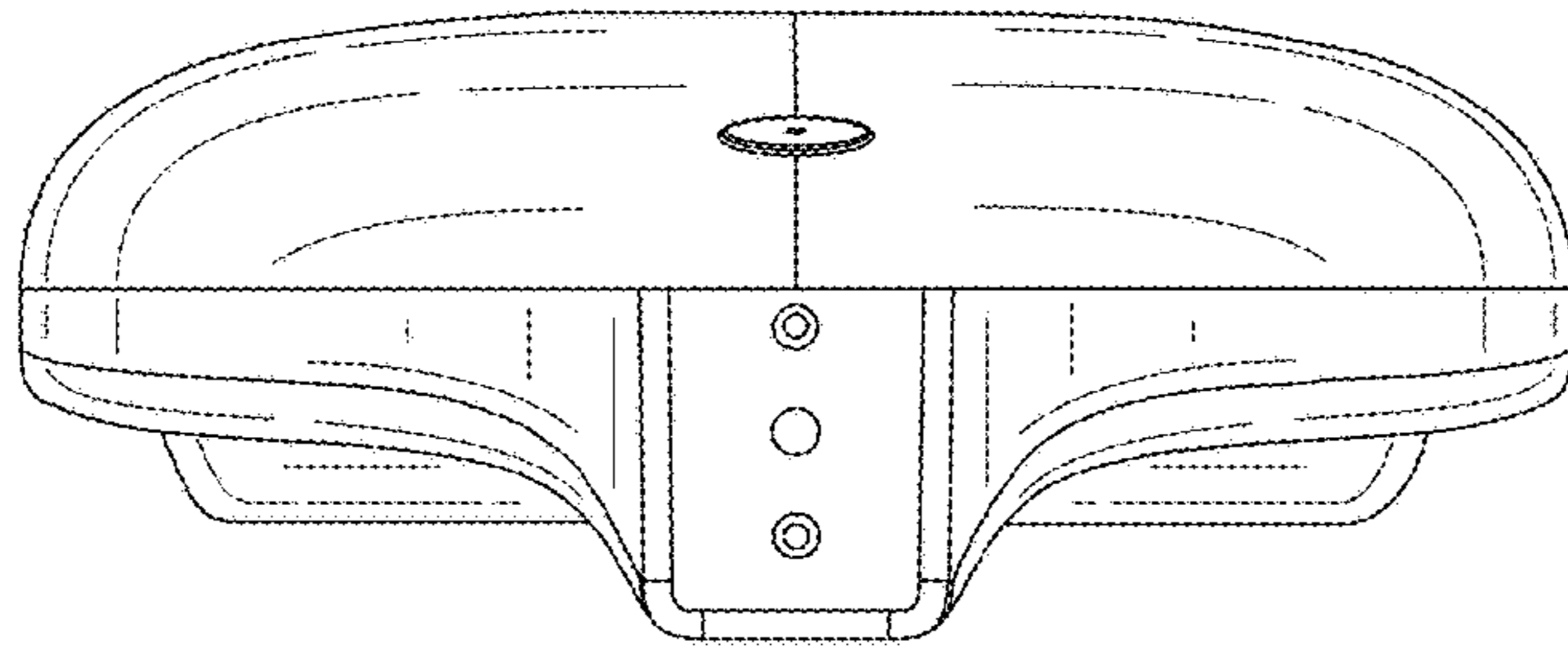


FIG. 10

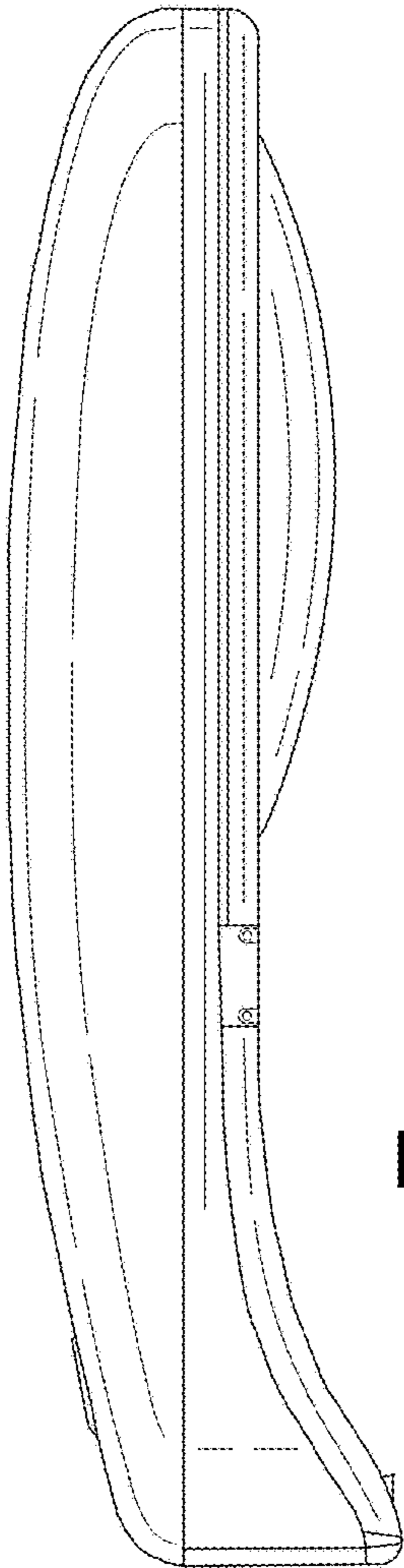


FIG. 11

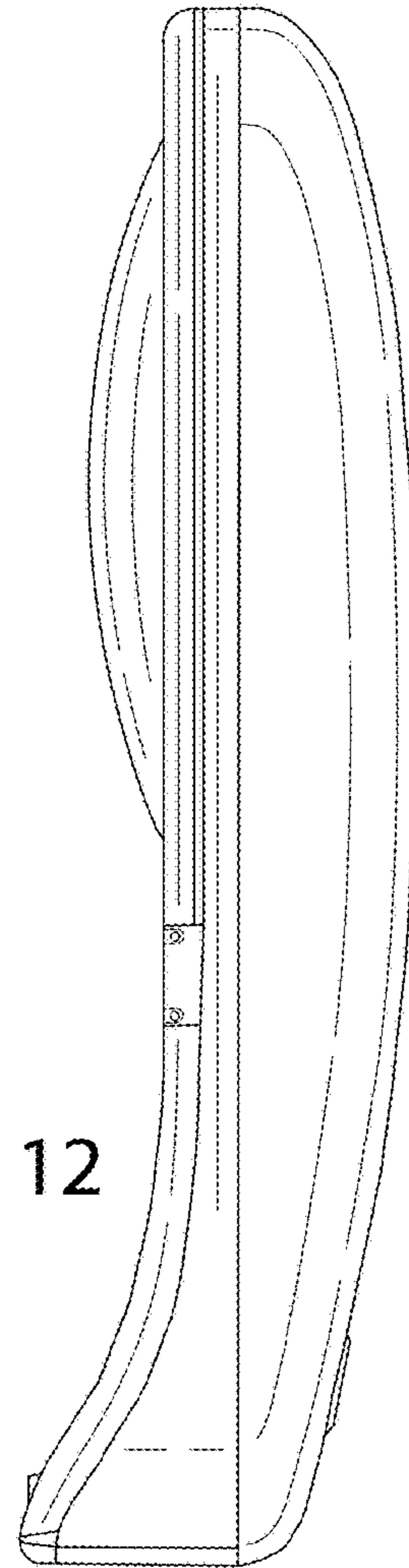


FIG. 12

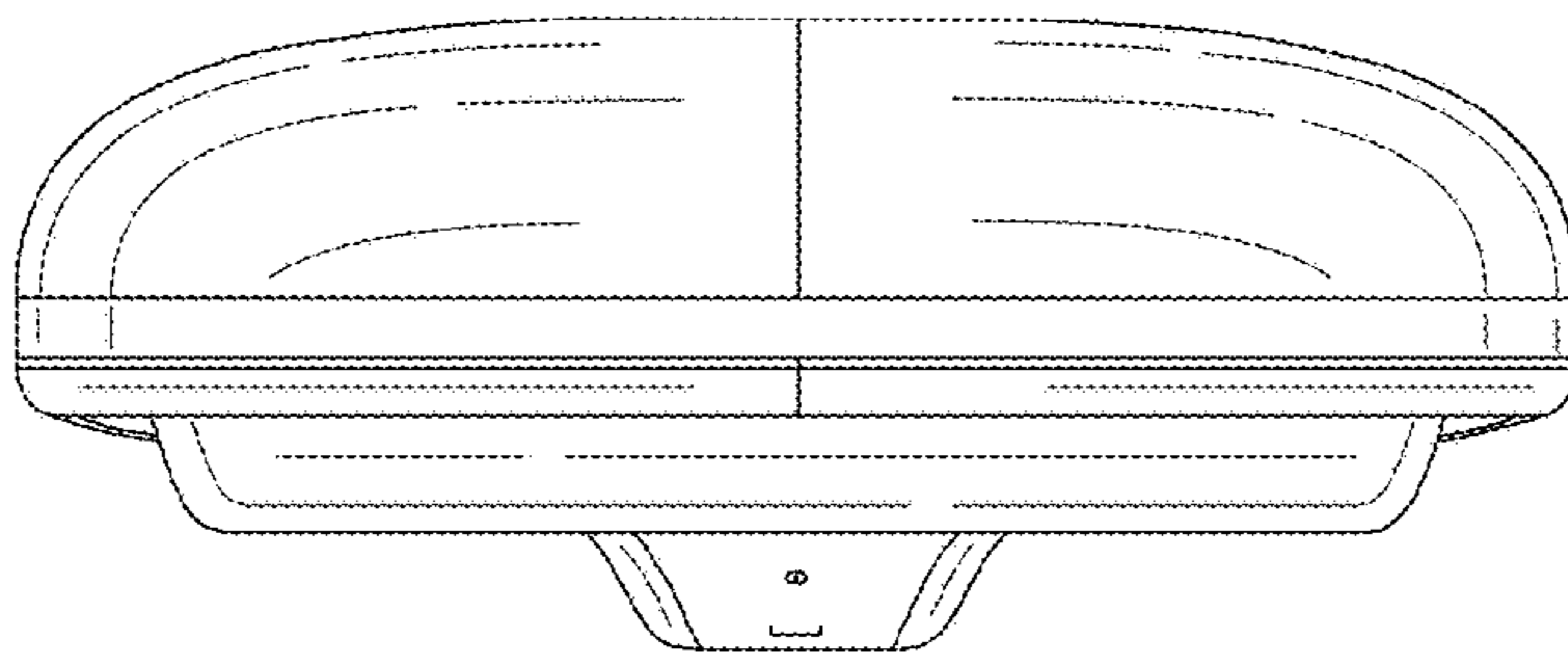


FIG. 9

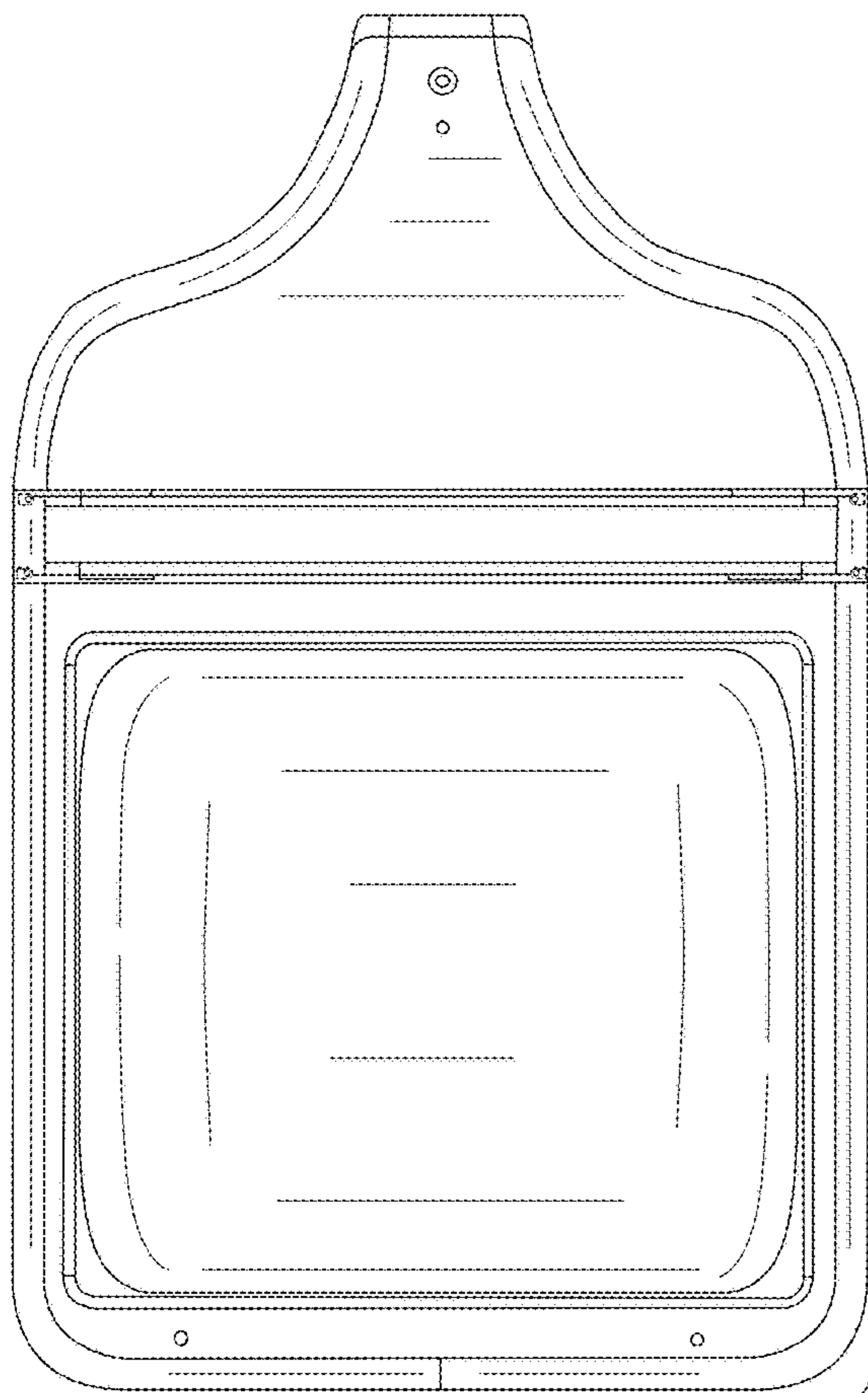


FIG. 13

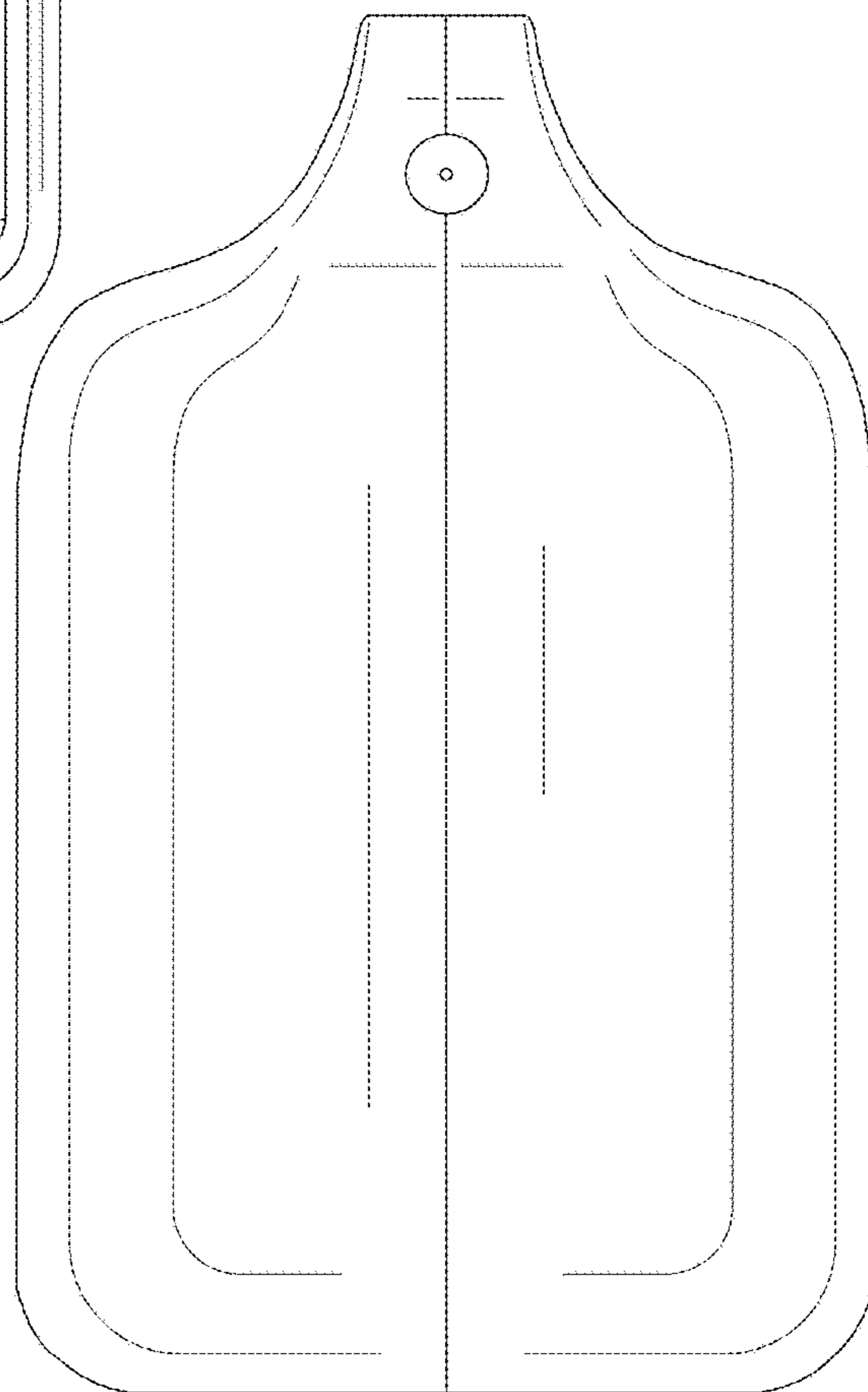


FIG. 14

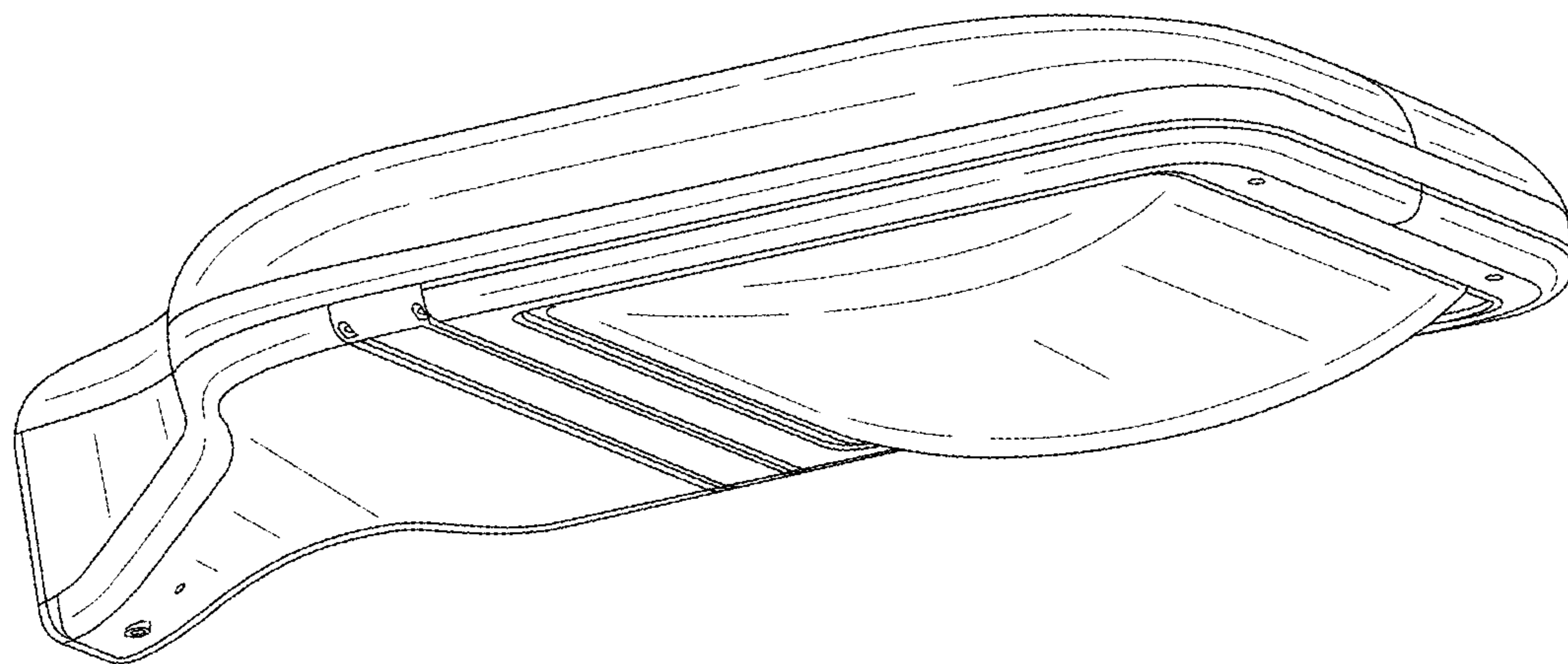


FIG. 15

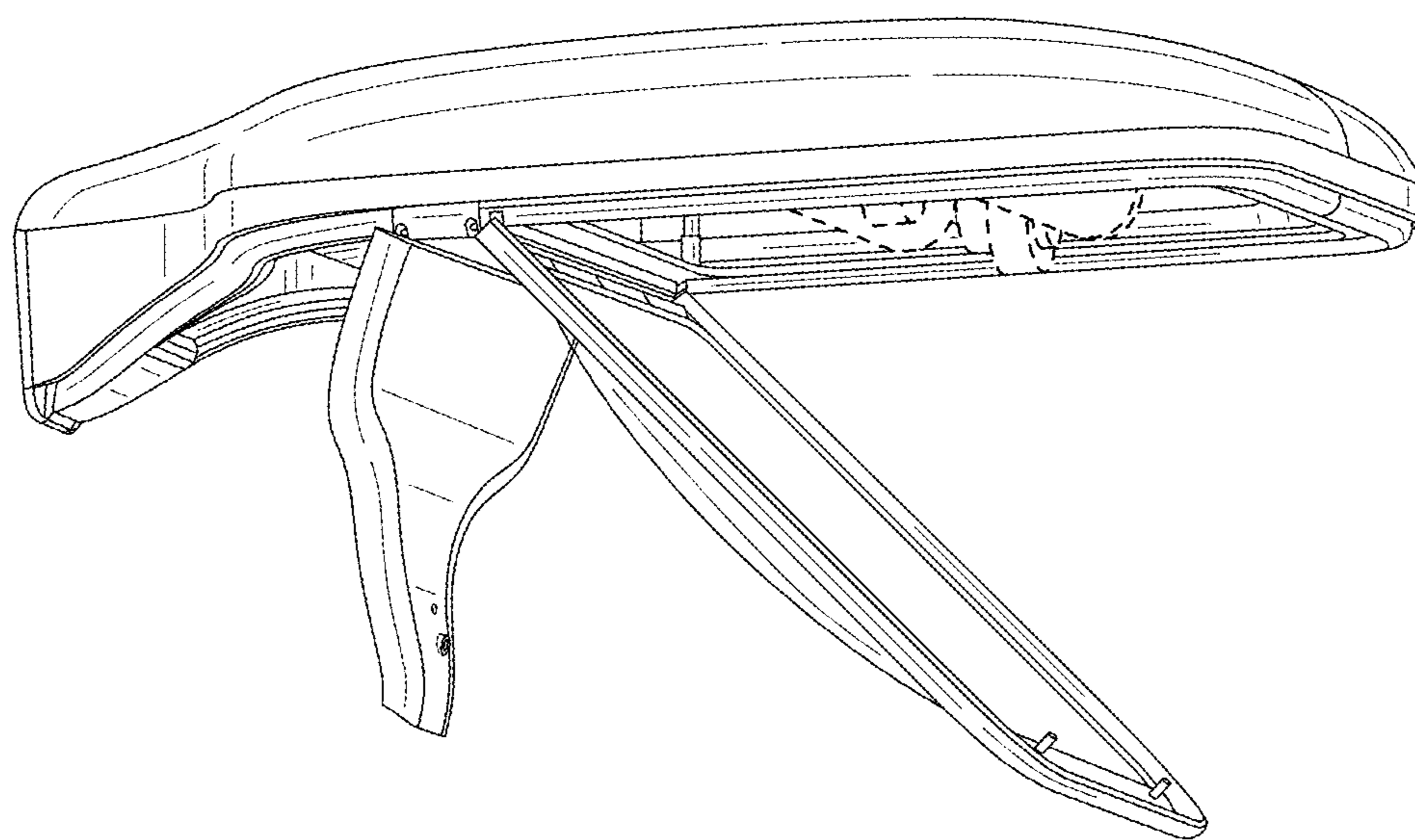


FIG. 16