



US00D861220S

(12) **United States Design Patent**
Fang

(10) **Patent No.:** **US D861,220 S**

(45) **Date of Patent:** **** Sep. 24, 2019**

(54) **PORTABLE WORKLIGHT**

(71) Applicant: **Ningbo Utec Electric Co. Ltd.**, Yuyao, Zhejiang (CN)

(72) Inventor: **Yi Fang**, Zhejiang (CN)

(73) Assignee: **Ningbo Utec Electric. Co Ltd.**, Yuyao (CN)

(**) Term: **15 Years**

(21) Appl. No.: **29/646,617**

(22) Filed: **May 5, 2018**

(51) **LOC (12) Cl.** **26-03**

(52) **U.S. Cl.**
USPC **D26/63**

(58) **Field of Classification Search**
USPC ... D26/1, 24, 37, 39, 41, 44, 50, 60, 61, 63, D26/65-67, 72, 75, 80, 85, 92, 102, 113, D26/138-140, 145
CPC F21L 14/00; F21S 8/00; F21S 8/08; F21V 21/00; F21V 21/145; F21V 21/30; F21V 33/00

See application file for complete search history.

(56) **References Cited**

U.S. PATENT DOCUMENTS

- 4,282,564 A * 8/1981 McJunkin, Jr. F21V 15/01 362/164
- D267,351 S * 12/1982 Suzuki D26/50
- D351,037 S * 9/1994 Poon D26/42
- D567,417 S * 4/2008 Wu D26/37
- D588,733 S * 3/2009 O'Hern D26/42
- D701,986 S * 4/2014 Goeckel D26/42
- D780,359 S * 2/2017 Chen D26/63
- D782,092 S * 3/2017 Heiner D26/63

- 2004/0228133 A1* 11/2004 Tsao F21V 21/06 362/418
- 2008/0257877 A1* 10/2008 Vandrak F21L 14/04 219/209
- 2018/0216860 A1* 8/2018 Hong F25B 45/00

OTHER PUBLICATIONS

Lux-Pro LP362 Combo Pack , dated Oct. 4, 2017, [online], [site visited Jun. 4, 2019]. Available from Internet, URL: <https://www.amazon.com/LUX-PRO-LP362-Combo-Broadbeam-Triangle/dp/B0765BRPBJ> (Year: 2017).*

* cited by examiner

Primary Examiner — Angela J Lee

Assistant Examiner — Shawn T Gingrich

(74) *Attorney, Agent, or Firm* — Raymond Sun

(57) **CLAIM**

The ornamental design for a portable worklight, as shown and described.

DESCRIPTION

FIG. 1 is a front top perspective view of a portable worklight showing my new design.

FIG. 2 is a front bottom perspective view thereof.

FIG. 3 is a front view thereof.

FIG. 4 is a rear view thereof.

FIG. 5 is a left view thereof.

FIG. 6 is a right view thereof,

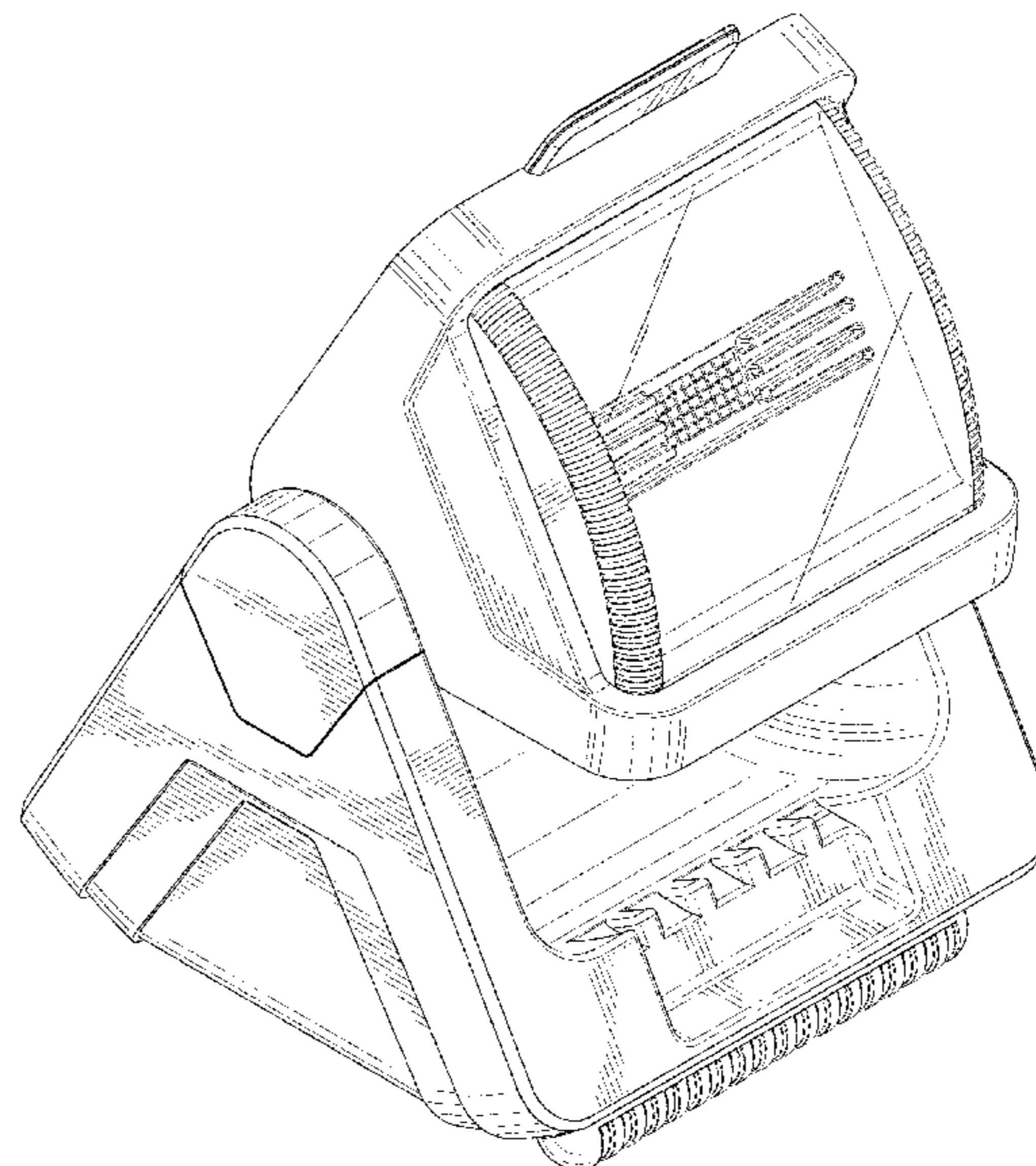
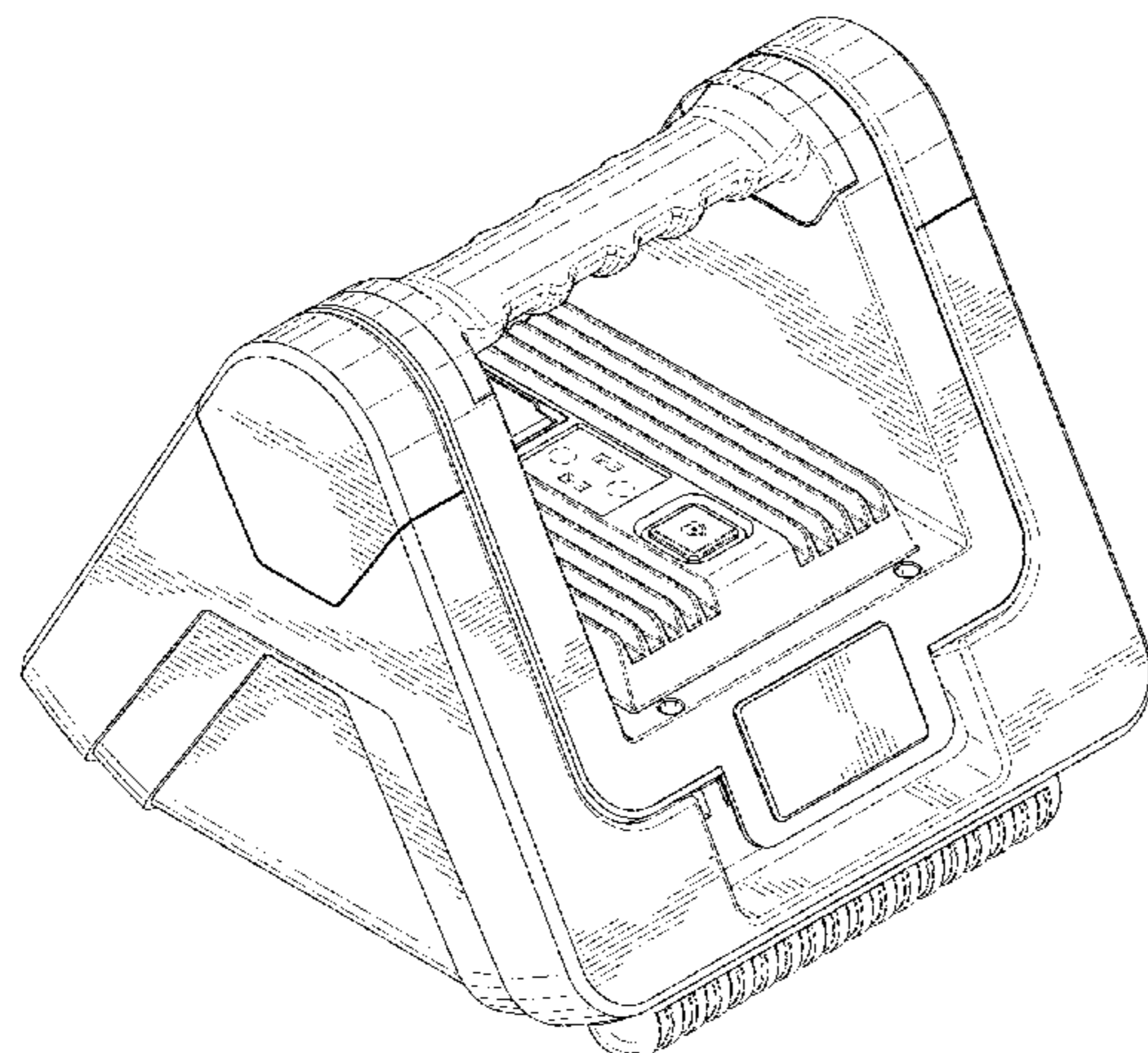
FIG. 7 is a top view thereof.

FIG. 8 is a bottom view thereof; and,

FIG. 9 is a front top perspective view thereof showing the light module in an opened position.

The broken lines shown in the figures represent portions of the portable worklight that form no part of the claimed design.

1 Claim, 9 Drawing Sheets



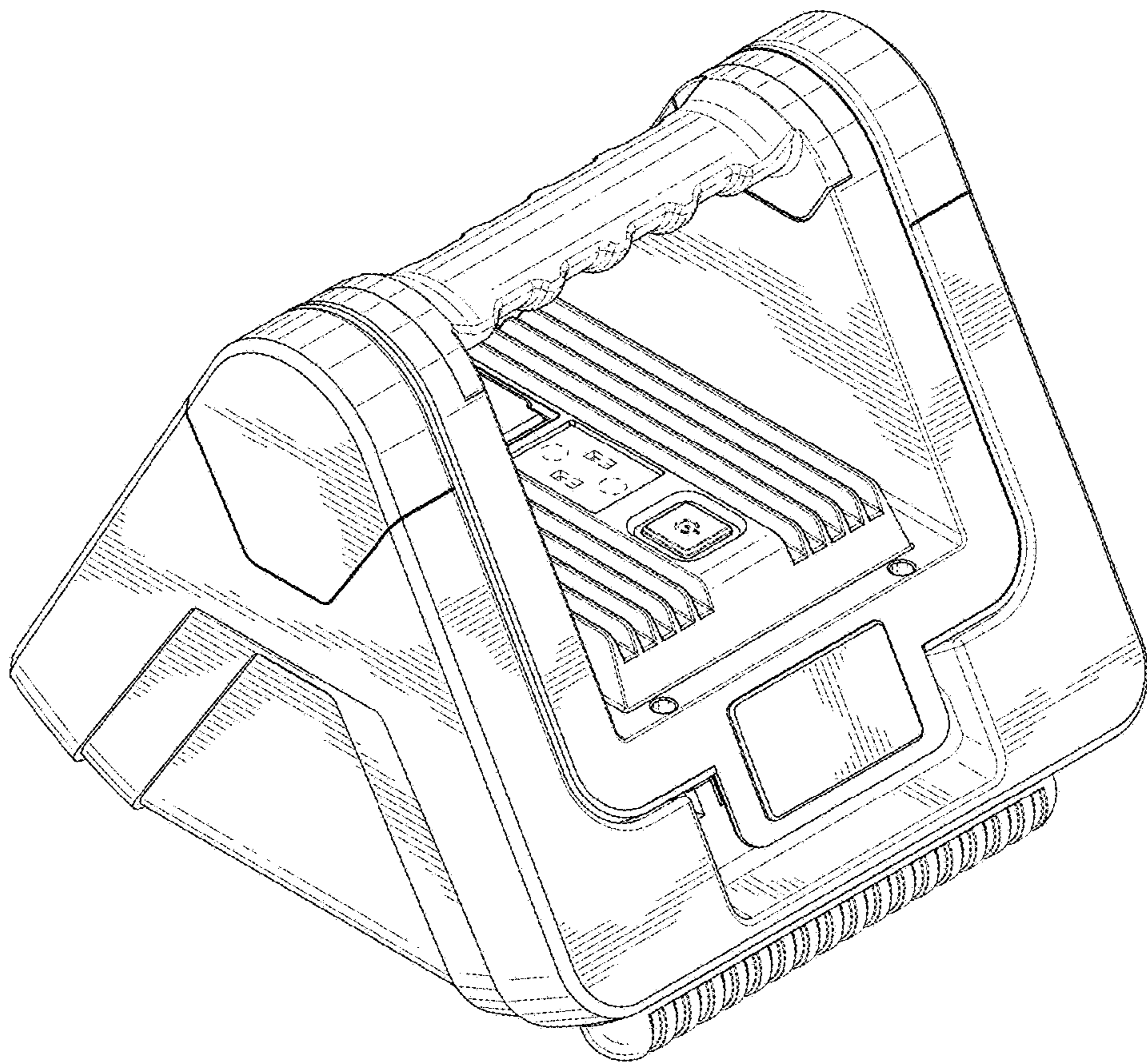


FIG. 1

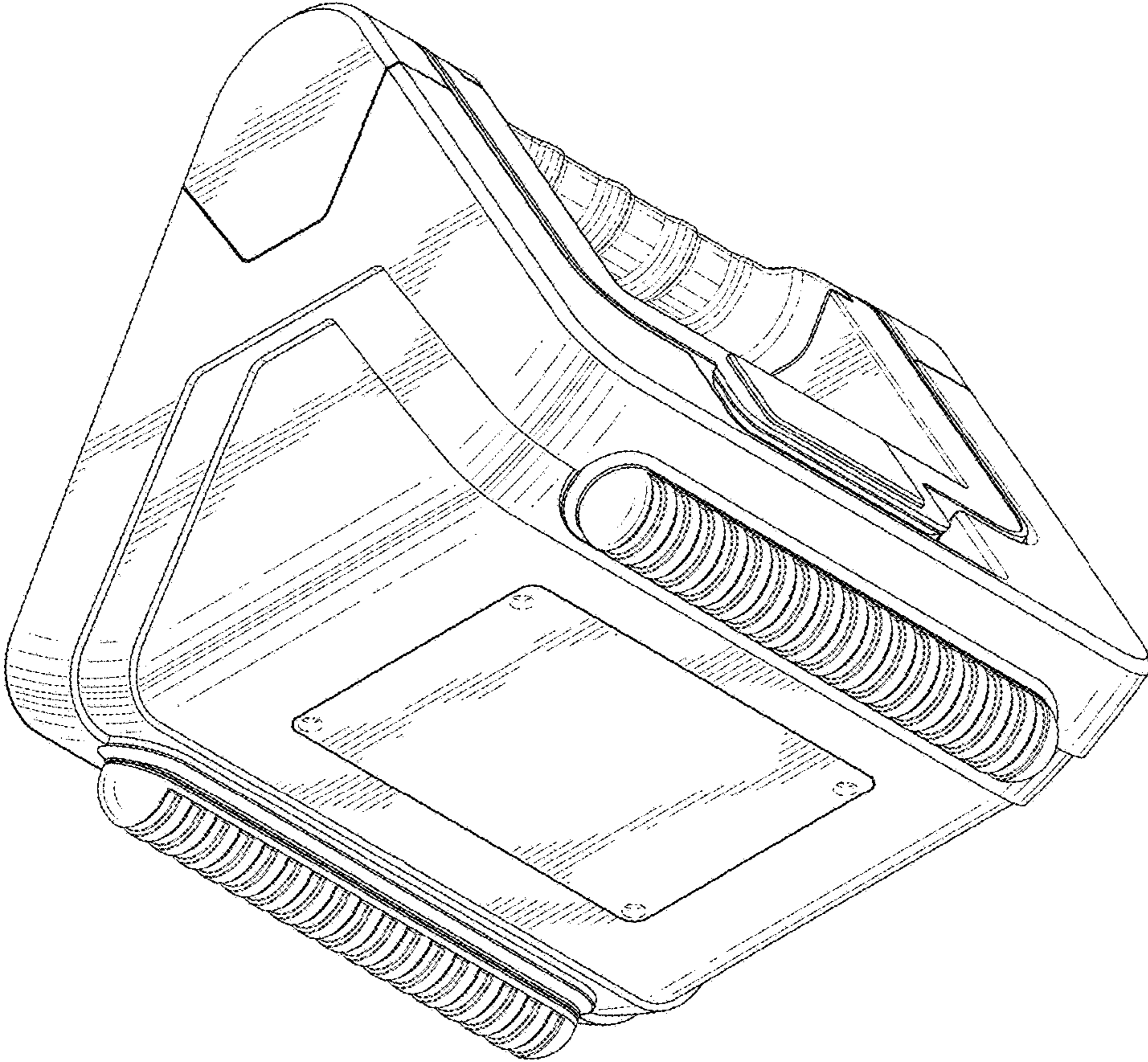


FIG.2

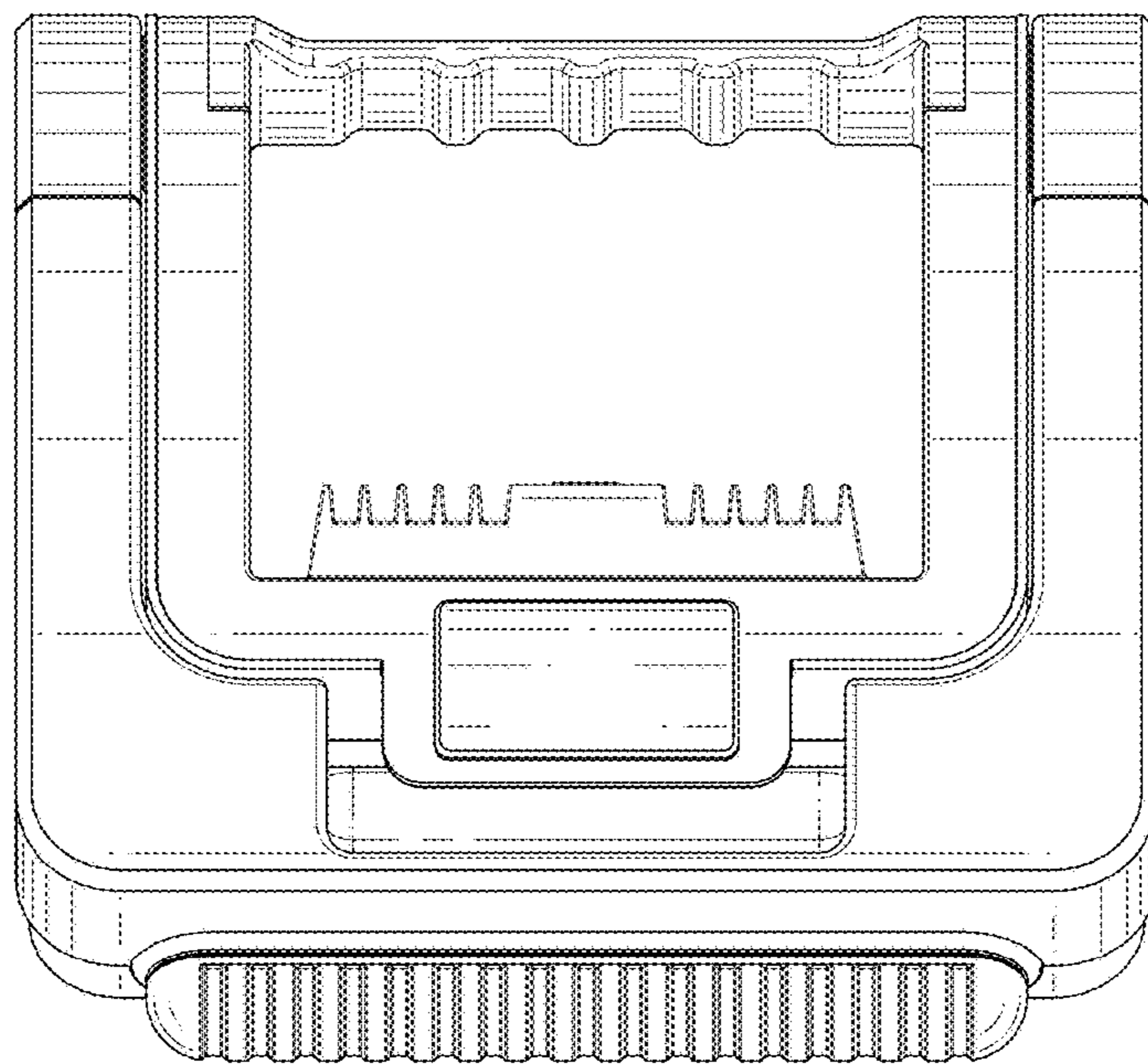


FIG. 3

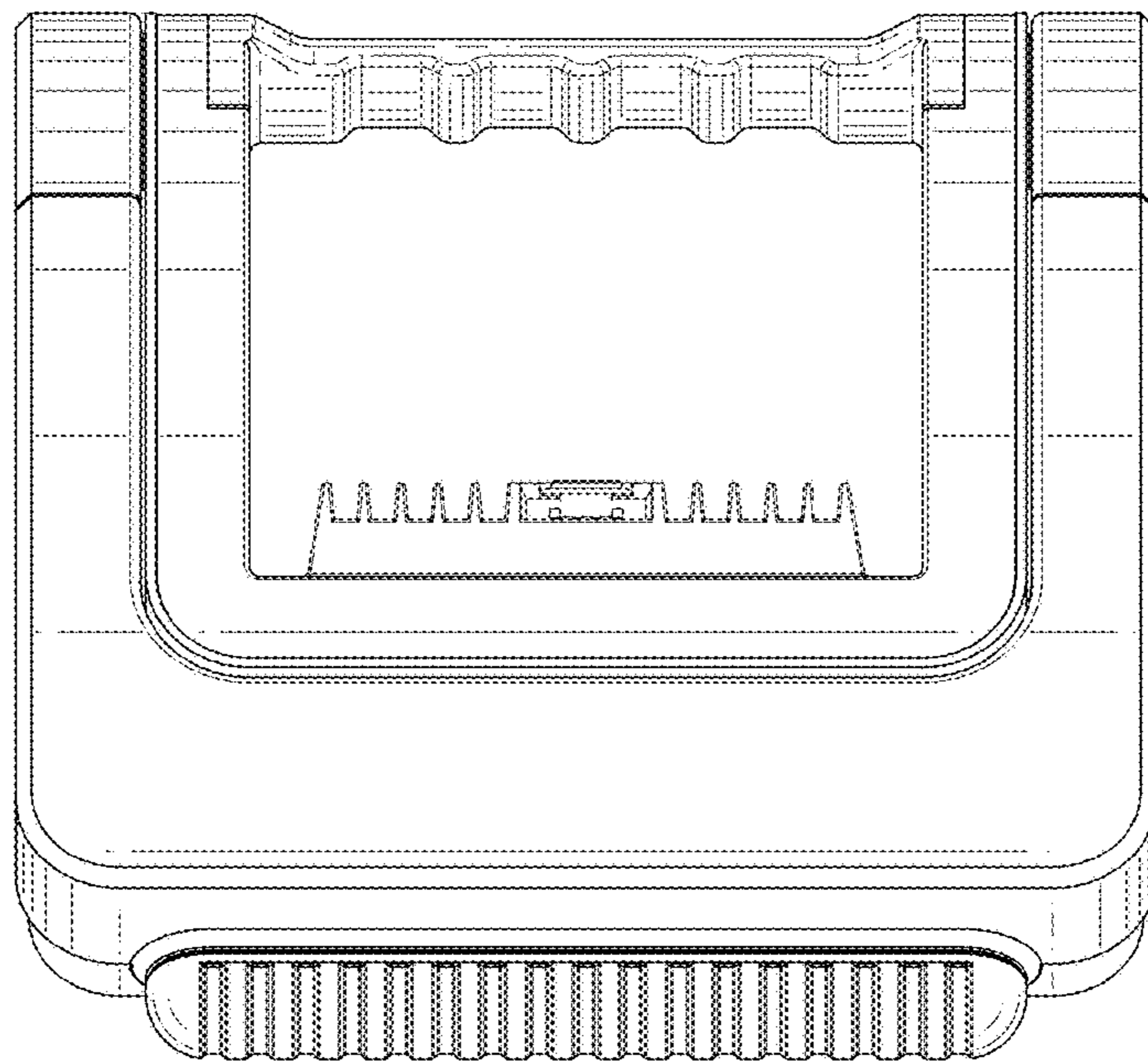


FIG.4

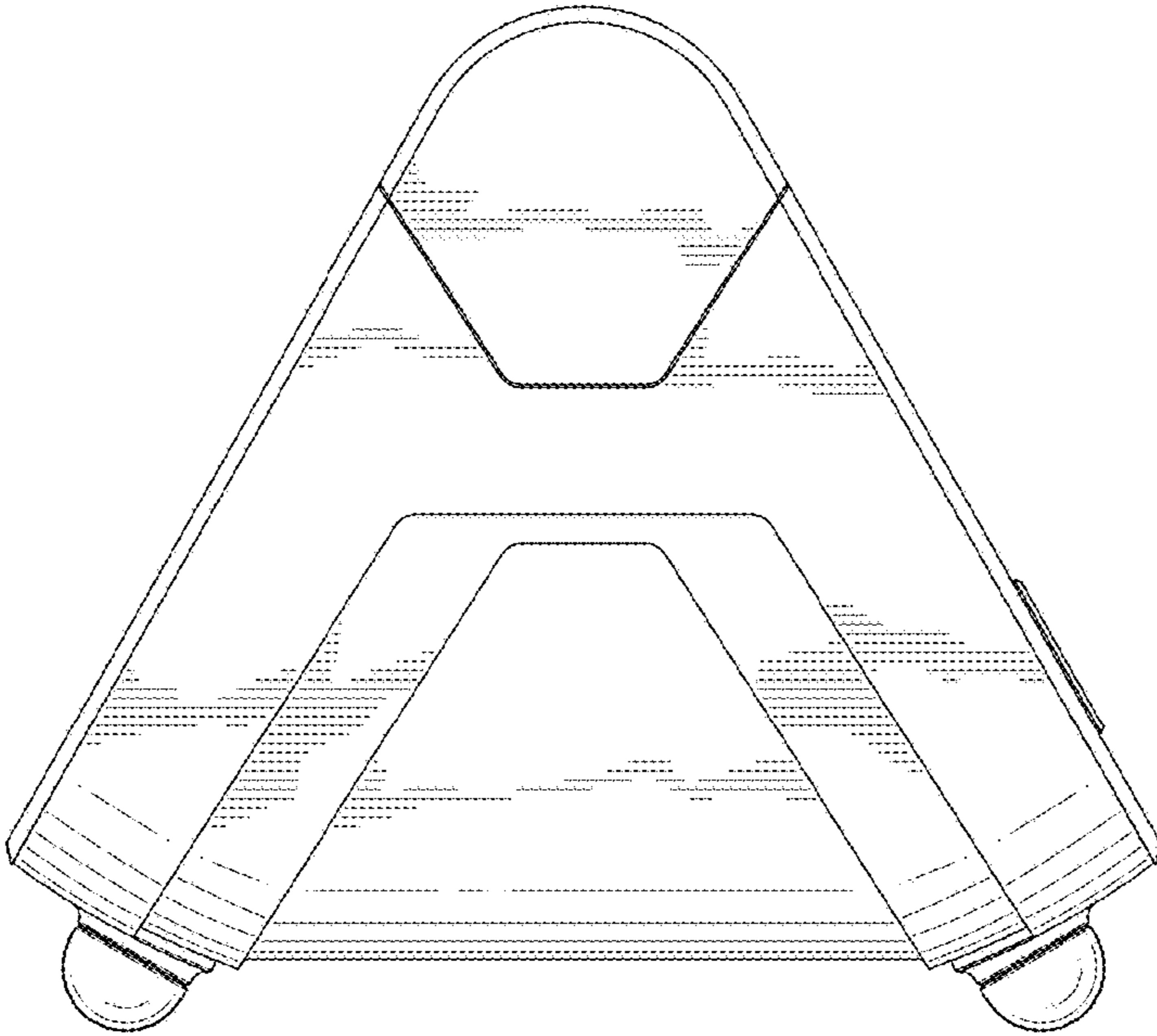


FIG. 5

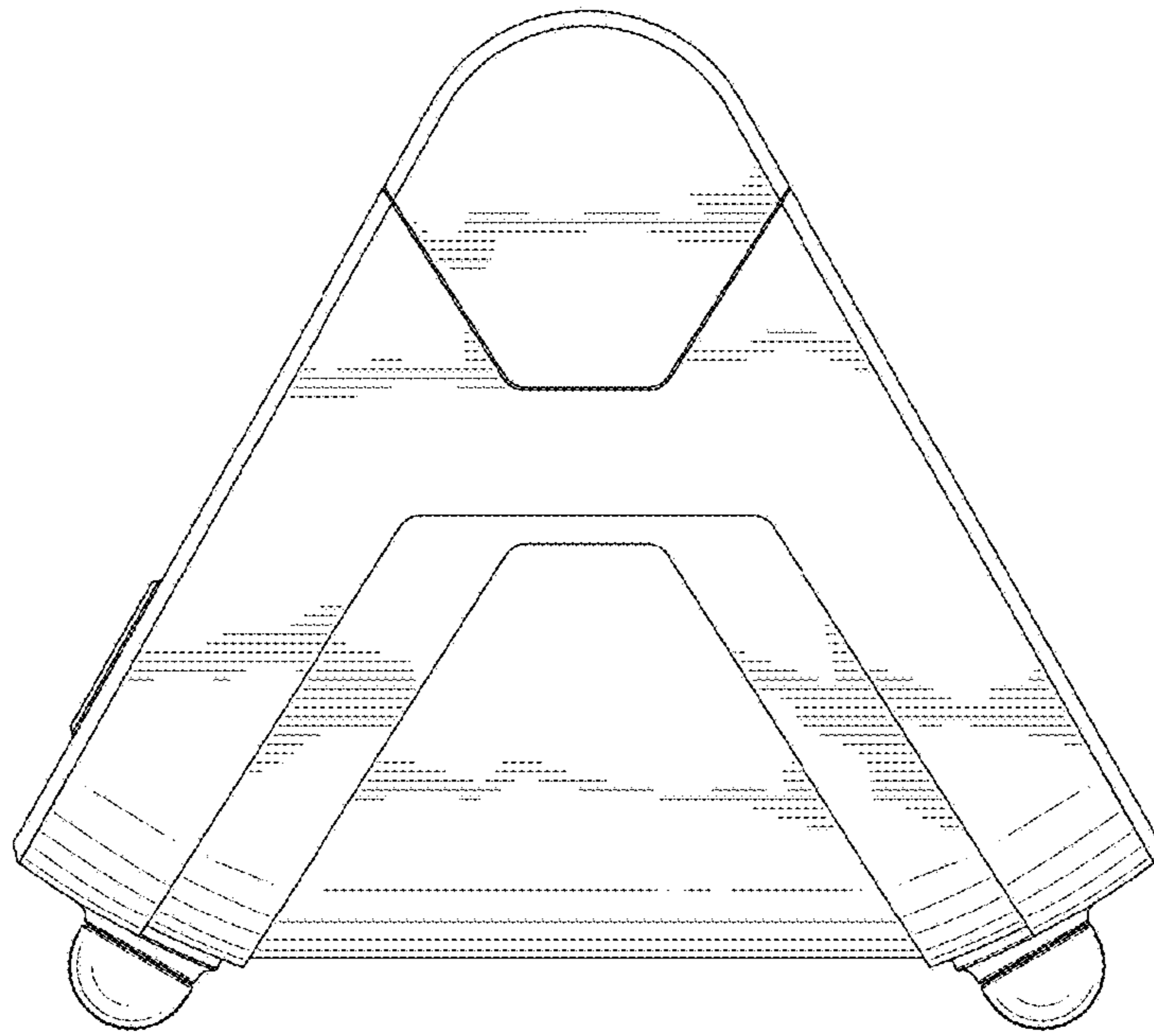


FIG.6

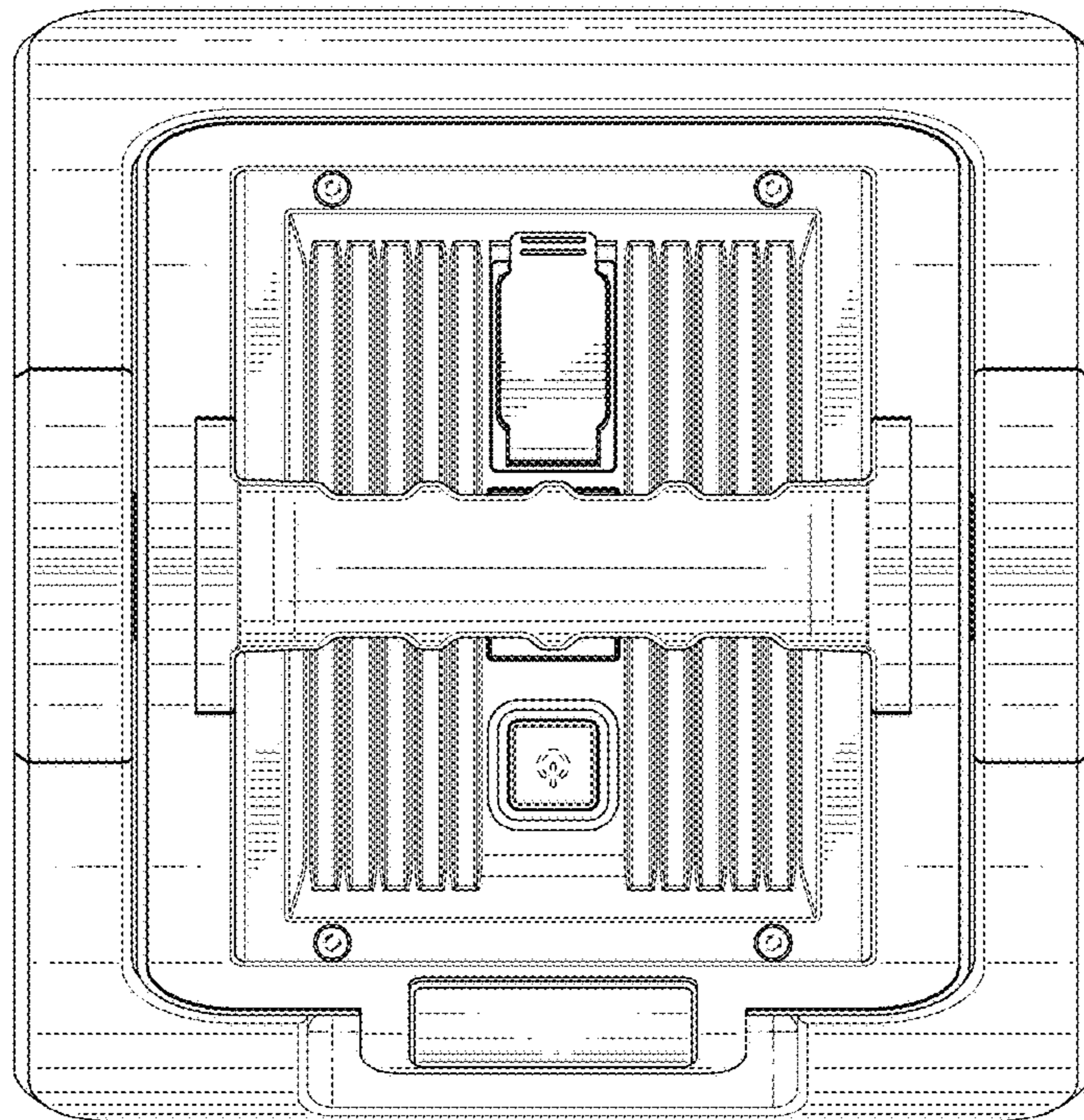


FIG. 7

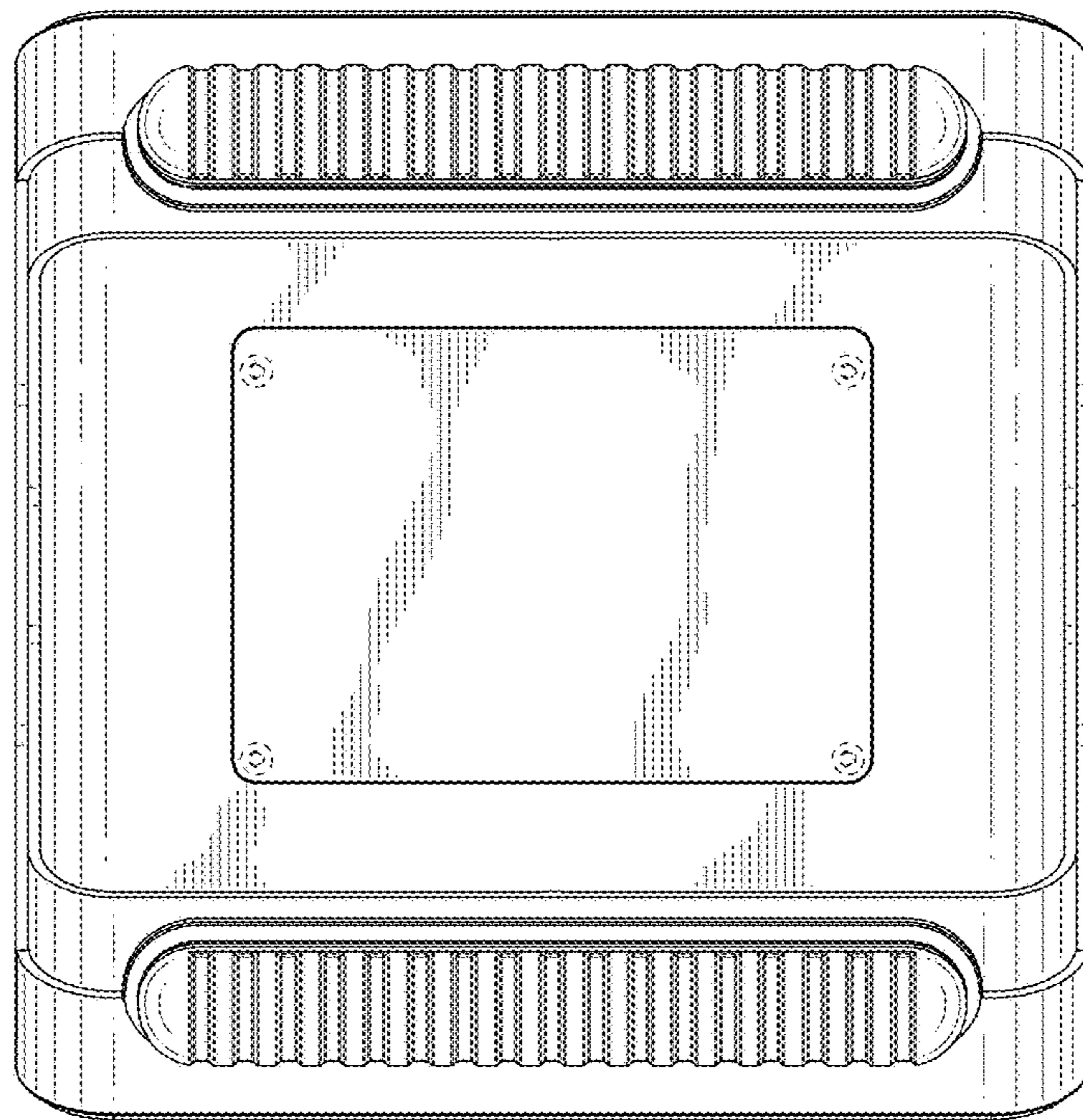


FIG. 8

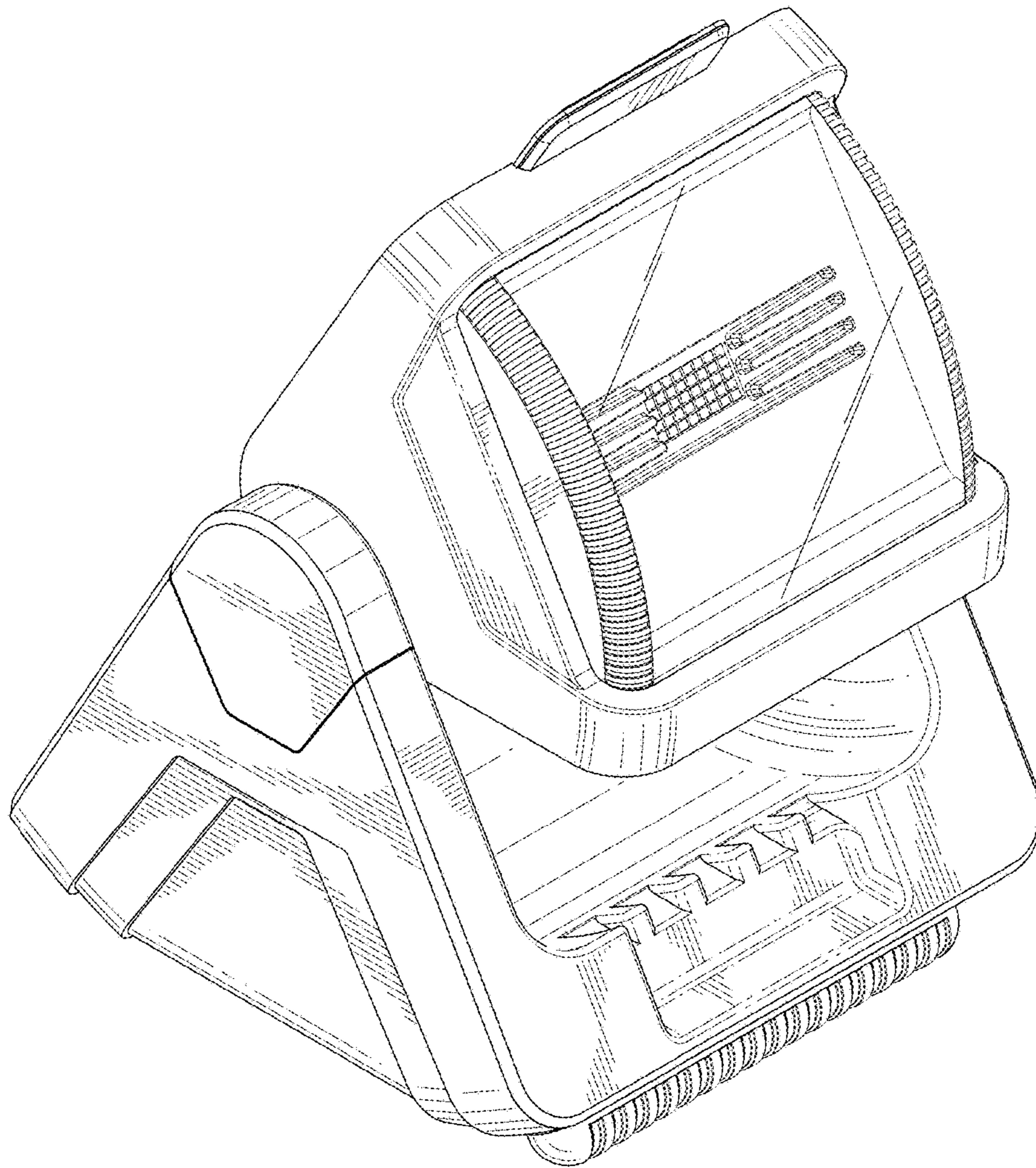


FIG. 9