



US00D861219S

(12) **United States Design Patent**
Shengbiao

(10) **Patent No.:** **US D861,219 S**

(45) **Date of Patent:** **** Sep. 24, 2019**

(54) **ROUND BOOK LIGHT WITH CLIP**

(71) Applicant: **Wu Shengbiao, Yuyao (CN)**

(72) Inventor: **Wu Shengbiao, Yuyao (CN)**

(**) Term: **15 Years**

(21) Appl. No.: **29/649,912**

(22) Filed: **Jun. 3, 2018**

(51) **LOC (12) Cl.** **26-03**

(52) **U.S. Cl.**
USPC **D26/60**

(58) **Field of Classification Search**
USPC D26/1, 24, 60, 61, 62, 72, 93, 106, 118,
D26/107
CPC F21S 6/00; F21S 6/002; F21S 6/003; F21S
6/004; F21S 6/005; F21S 6/006; F21S
6/007; F21V 21/02; F21V 21/088; F21W
2121/00; F21W 2131/30

See application file for complete search history.

(56) **References Cited**

U.S. PATENT DOCUMENTS

D498,322 S * 11/2004 Schnell D26/60
D529,651 S * 10/2006 Chan D26/60
D544,124 S * 6/2007 Chan D26/60
D590,533 S * 4/2009 Li D26/60

D636,918 S * 4/2011 Nelson D26/61
D642,312 S * 7/2011 Rothman D26/60
D648,883 S * 11/2011 Levine D26/60
D788,962 S * 6/2017 Edgar D26/60
D824,580 S * 7/2018 Hu D26/60

* cited by examiner

Primary Examiner — Brian N. Vinson

(74) *Attorney, Agent, or Firm* — Pasadena Legal Group;
Norman R. Van Treeck

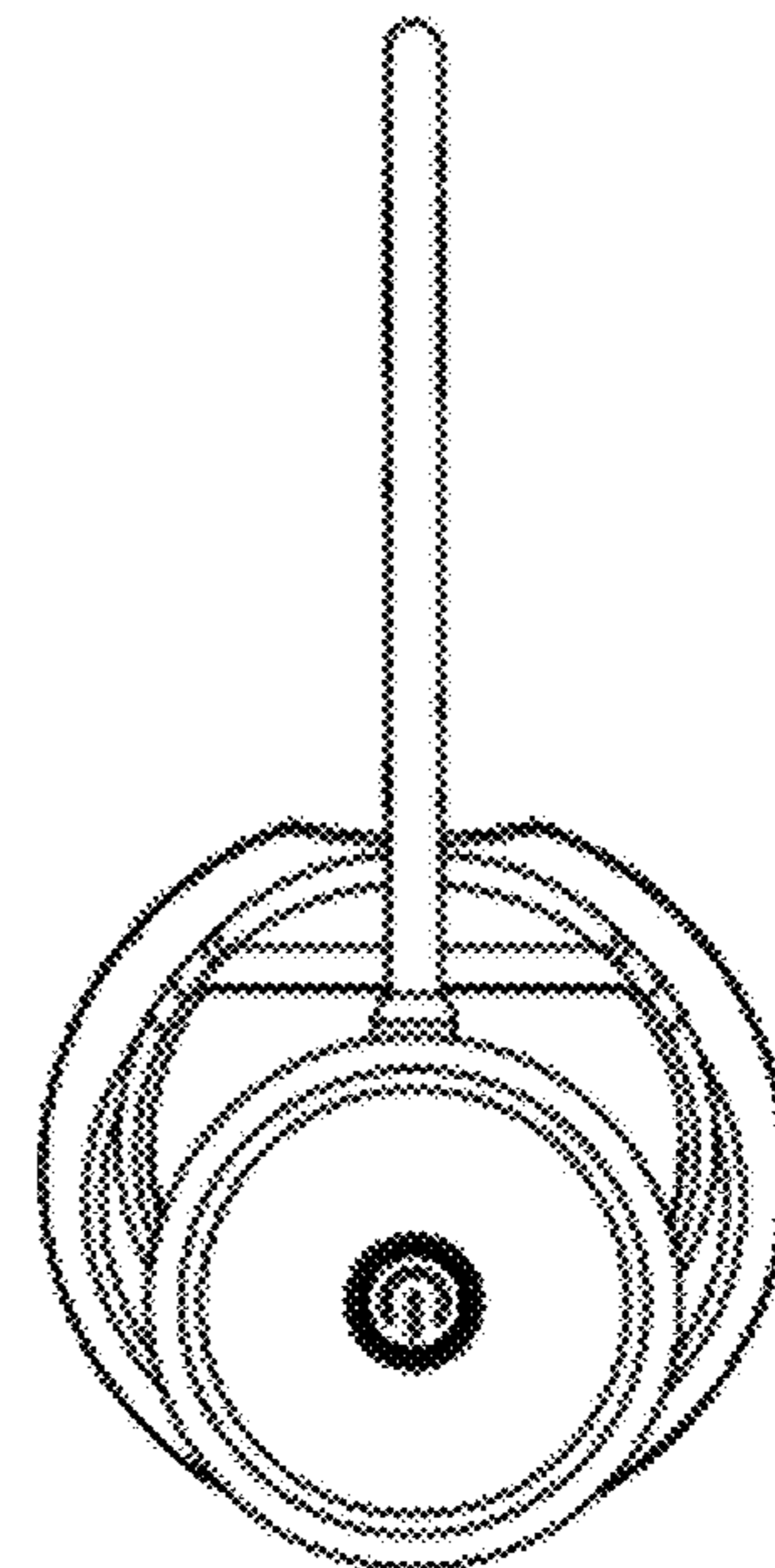
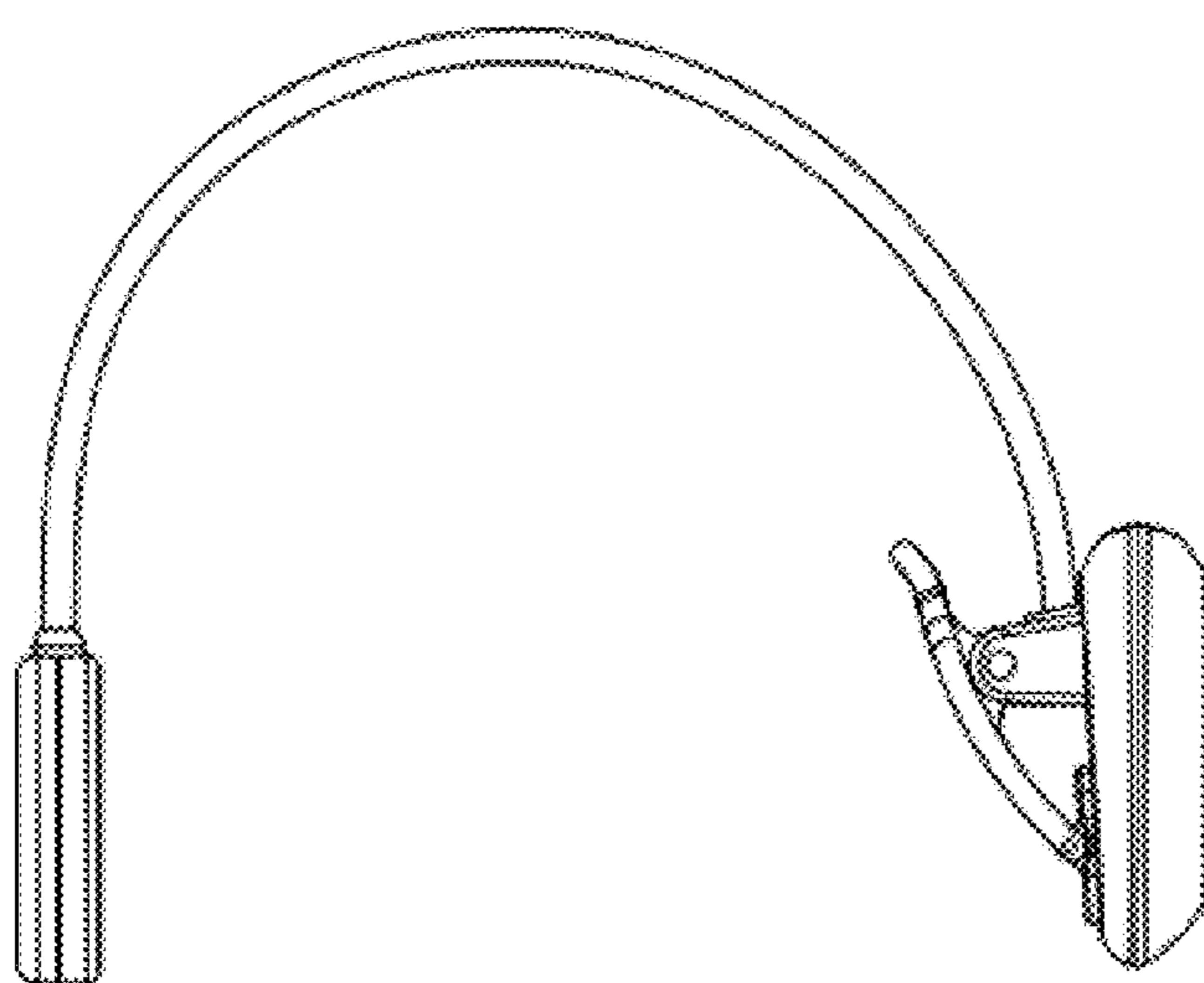
(57) **CLAIM**

The ornamental design of a round book light with clip, as shown and described.

DESCRIPTION

FIG. 1 is a front plan view of a round book light with clip according to my new design;
FIG. 2 is a rear plan view of the round book light with clip shown in FIG. 1;
FIG. 3 is a left plan view of the round book light with clip shown in FIG. 1;
FIG. 4 is a right plan view of the round book light with clip shown in FIG. 1;
FIG. 5 is a top plan view of the round book light with clip shown in FIG. 1; and,
FIG. 6 is a bottom plan view of the round book light with clip shown in FIG. 1.

1 Claim, 3 Drawing Sheets



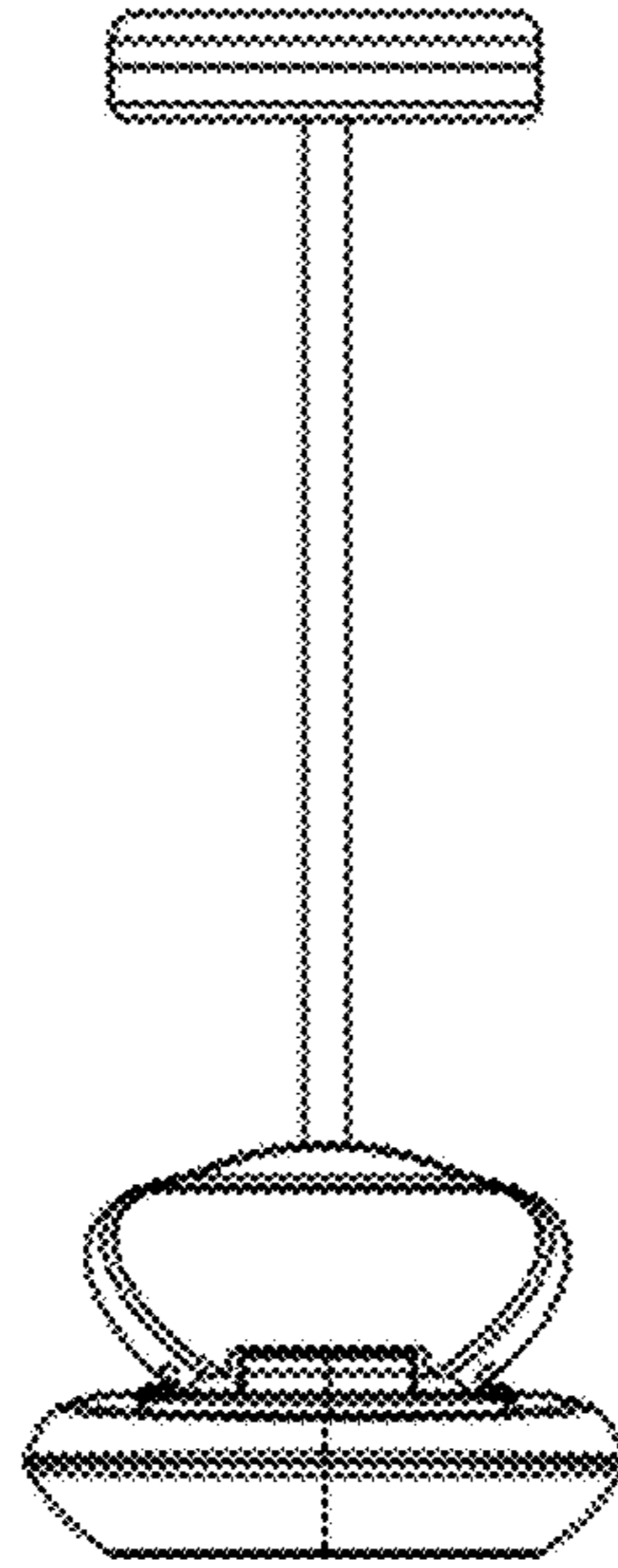


Figure 1

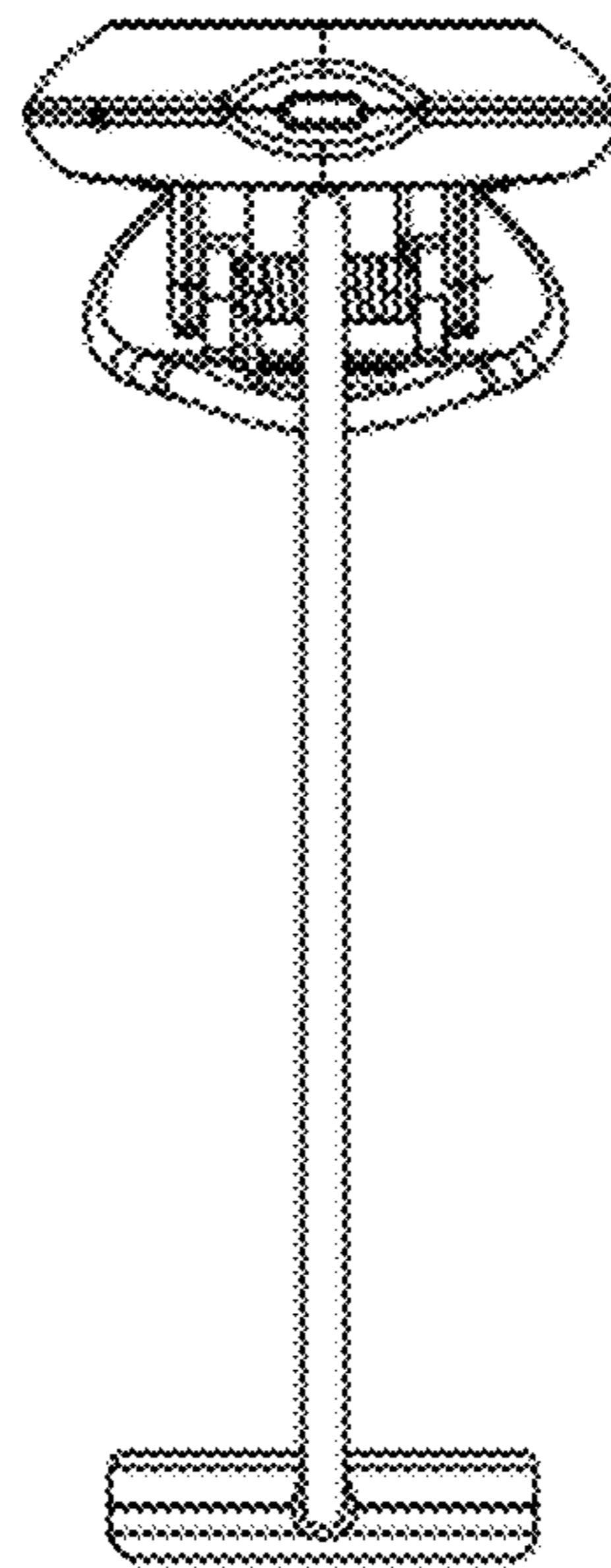


Figure2

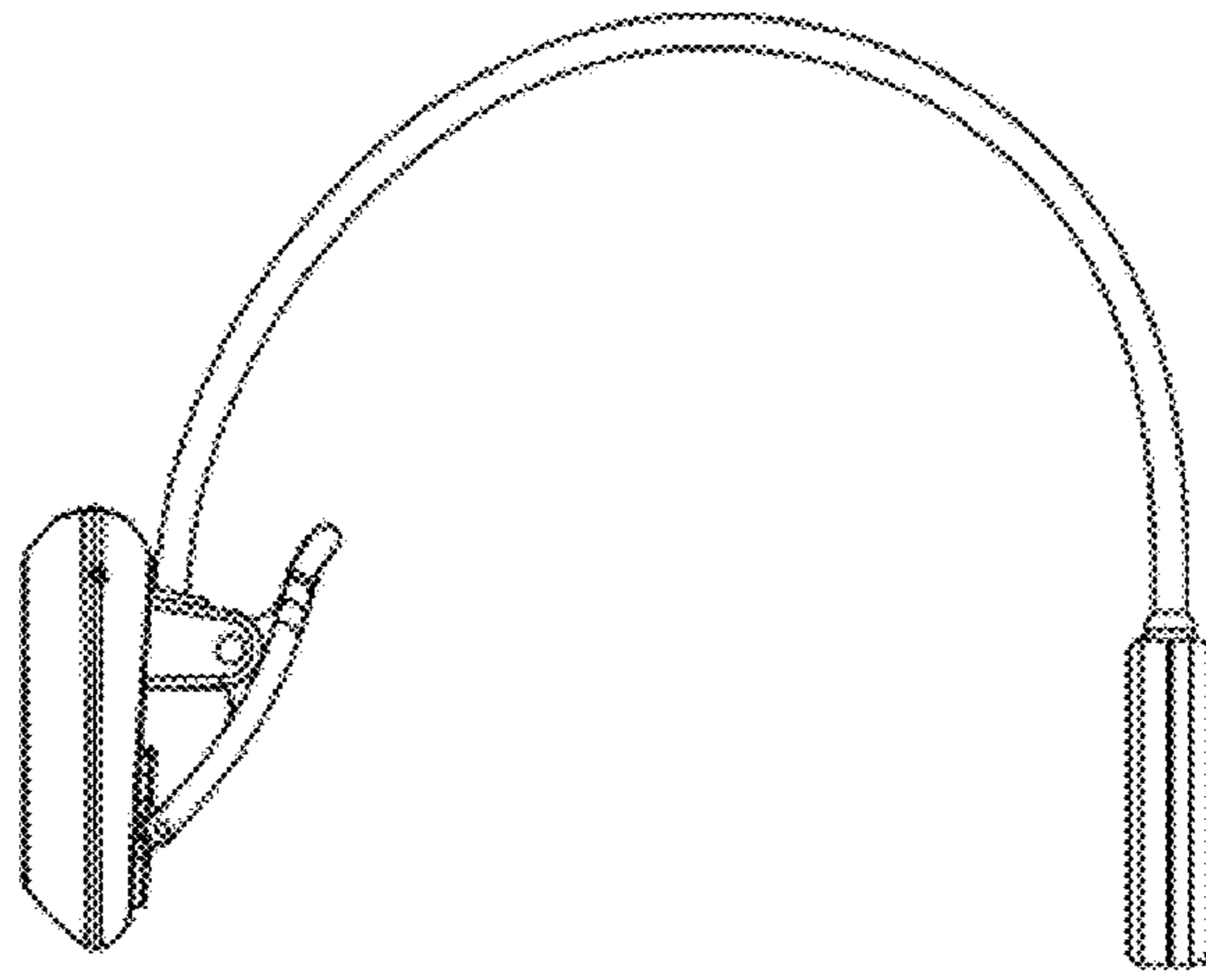


Figure 3

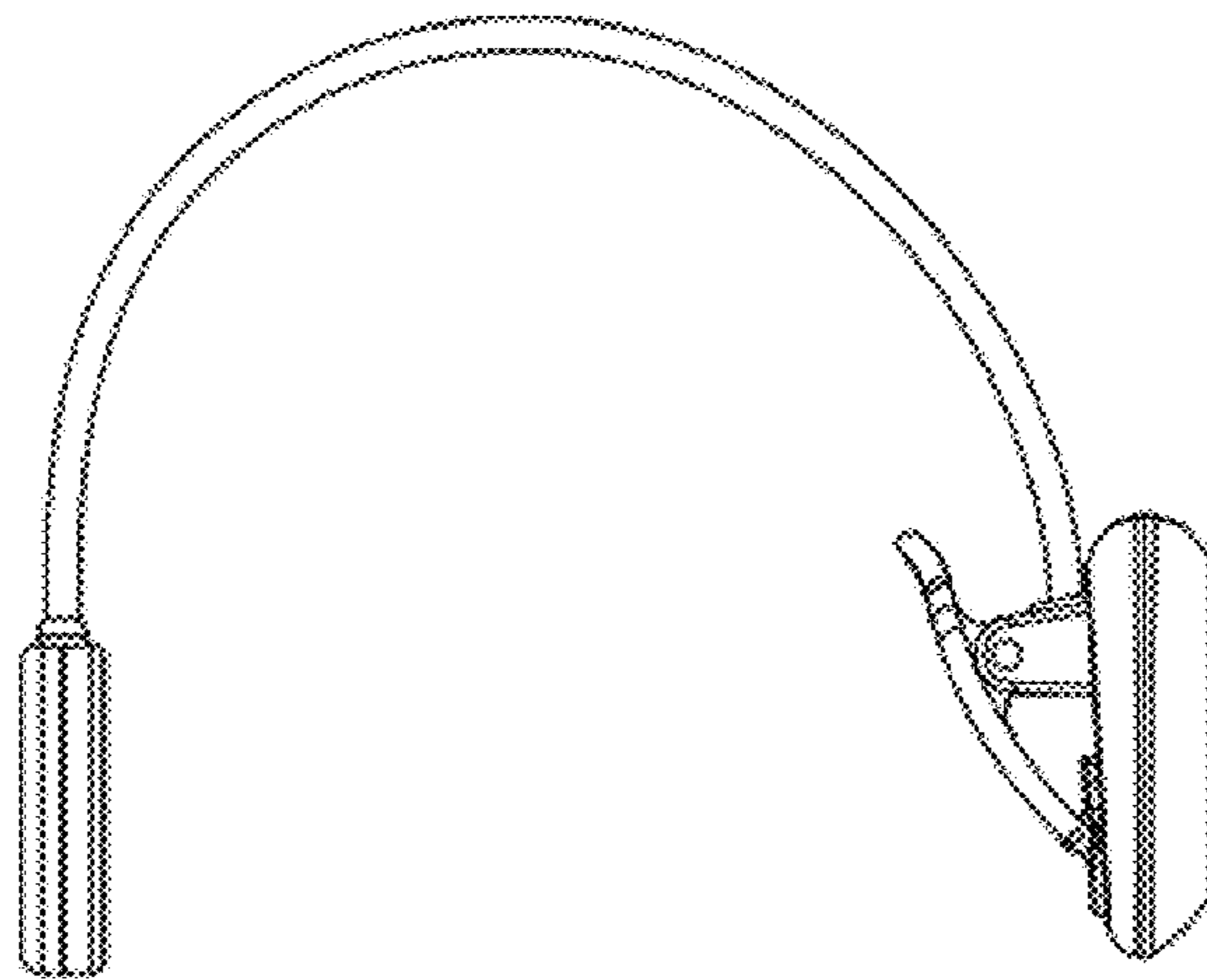


Figure 4

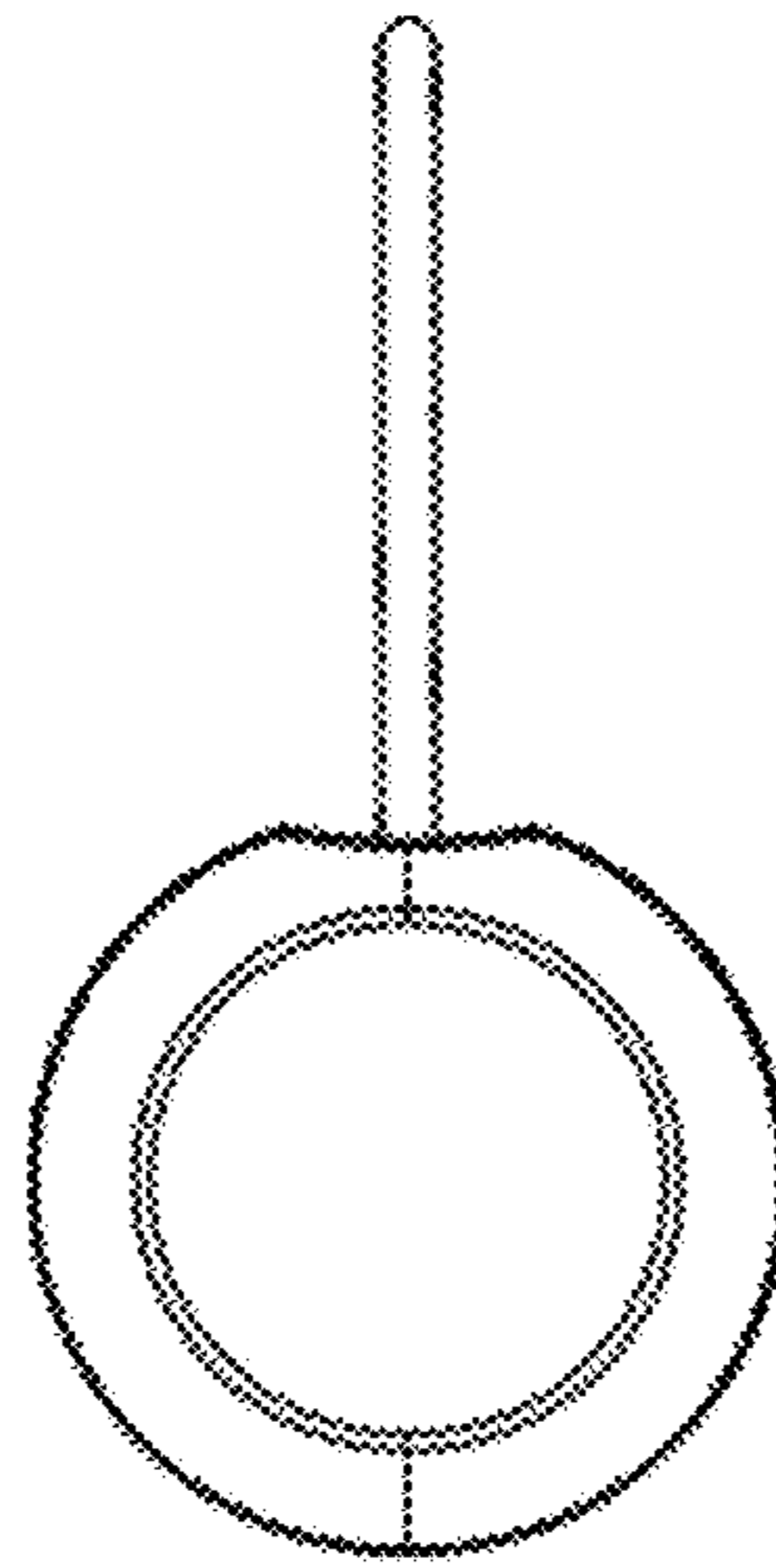


Figure 5

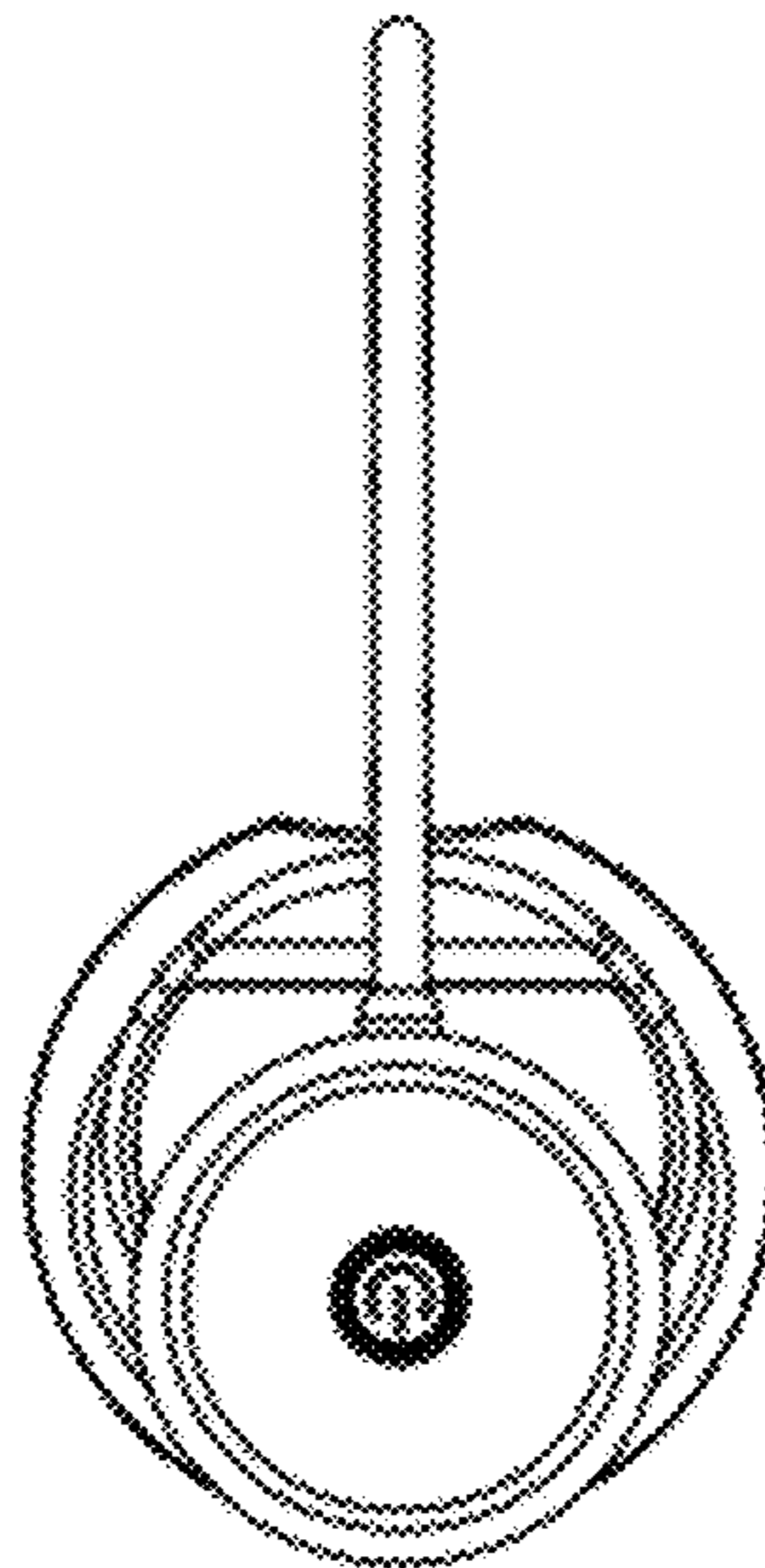


Figure 6