



US00D861216S

(12) **United States Design Patent** (10) **Patent No.:** **US D861,216 S**
Li (45) **Date of Patent:** **** Sep. 24, 2019**

(54) **FLASHLIGHT**
(71) Applicant: **Huicai Li**, Guangzhou (CN)
(72) Inventor: **Huicai Li**, Guangzhou (CN)
(**) Term: **15 Years**
(21) Appl. No.: **29/625,054**
(22) Filed: **Nov. 7, 2017**
(51) **LOC (12) Cl.** **26-02**
(52) **U.S. Cl.**
USPC **D26/49**
(58) **Field of Classification Search**
USPC D26/37-51
CPC F21L 2003/00; F21L 4/00; F21L 4/005;
F21L 4/02; F21L 4/025; F21L 4/027;
F21L 4/04; F21L 4/08; F21L 2005/00;
F21L 7/00; F21L 11/00; F21L 13/00;
F21L 13/04; F21L 13/08; F21L 14/02;
F21L 17/00; F21L 19/00; F21L 25/00
See application file for complete search history.

(56) **References Cited**
U.S. PATENT DOCUMENTS
D564,116 S * 3/2008 Linardos D26/49
D641,901 S * 7/2011 Opolka D26/49
D698,961 S * 2/2014 Dalton D26/49
D710,526 S * 8/2014 Lee D26/49
D745,987 S * 12/2015 Nawaz D22/117
D774,229 S * 12/2016 Prieto D26/49

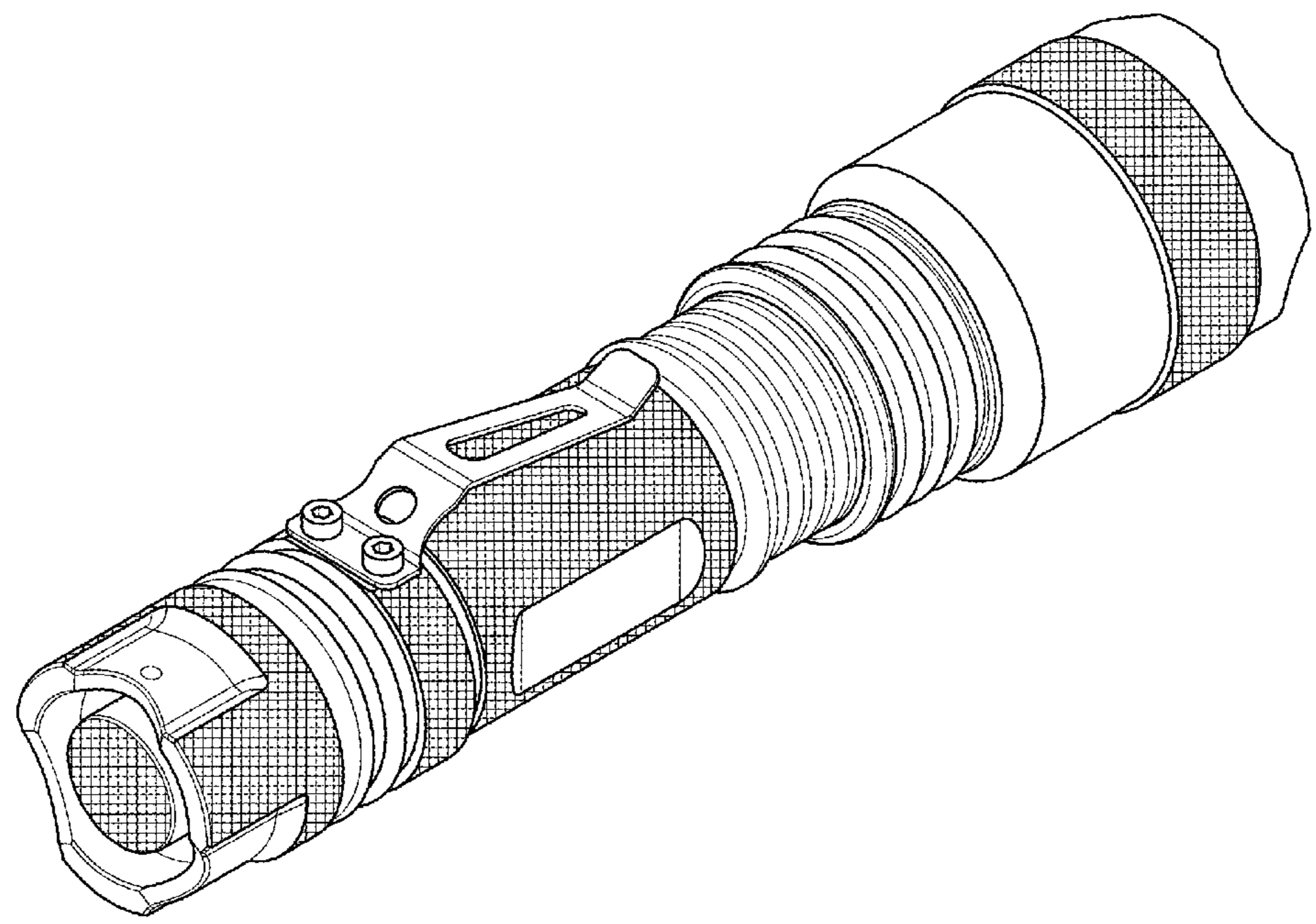
D785,842 S * 5/2017 Huang D26/49
D786,466 S * 5/2017 Prieto D26/49
D803,447 S * 11/2017 Green D26/49
D809,169 S * 1/2018 Grandadam D26/38
D810,337 S * 2/2018 Eichelberger D26/49
D814,088 S * 3/2018 Cao D26/49
D816,251 S * 4/2018 Johnson D26/49
D818,622 S * 5/2018 Kunzendorf D26/49
D828,940 S * 9/2018 Qiu D26/49
D833,051 S * 11/2018 Qiu D26/49

* cited by examiner
Primary Examiner — Lakiya G Rogers
Assistant Examiner — Carissa C Fitts
(74) *Attorney, Agent, or Firm* — Gokalp Bayramoglu

(57) **CLAIM**
The ornamental design for a flashlight, as shown and described.

DESCRIPTION
FIG. 1 is a front view of a flashlight showing the new design; FIG. 2 is a left view thereof; a right view is a mirror image of the left view;
FIG. 3 is a rear view thereof;
FIG. 4 is a bottom view thereof;
FIG. 5 is a top view thereof;
FIG. 6 is a perspective view thereof in an extend state; and, FIG. 7 is a perspective view thereof in a contraction state. The broken lines show portions of the flashlight which form no part of the claimed design.

1 Claim, 7 Drawing Sheets



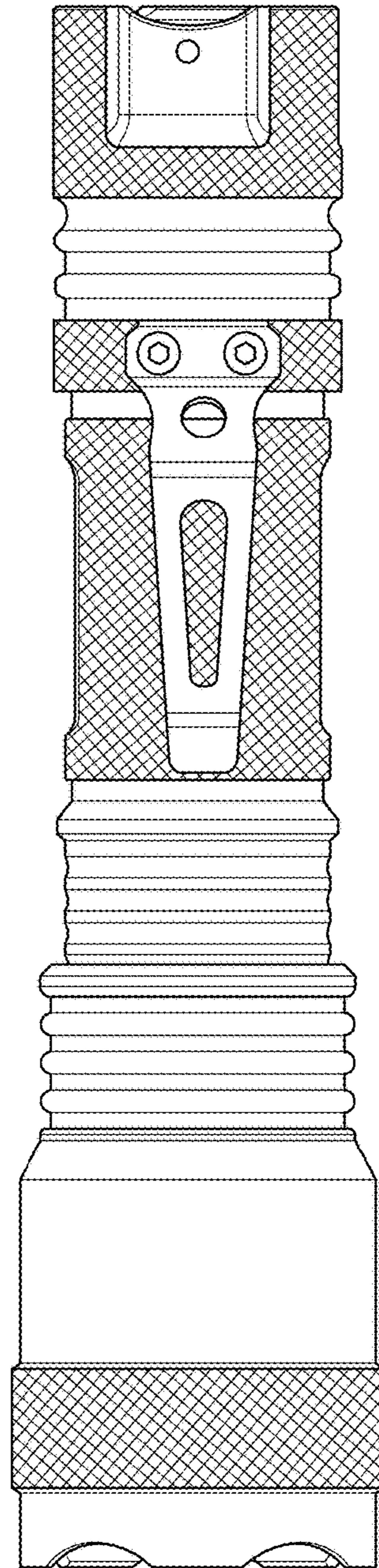


FIG. 1

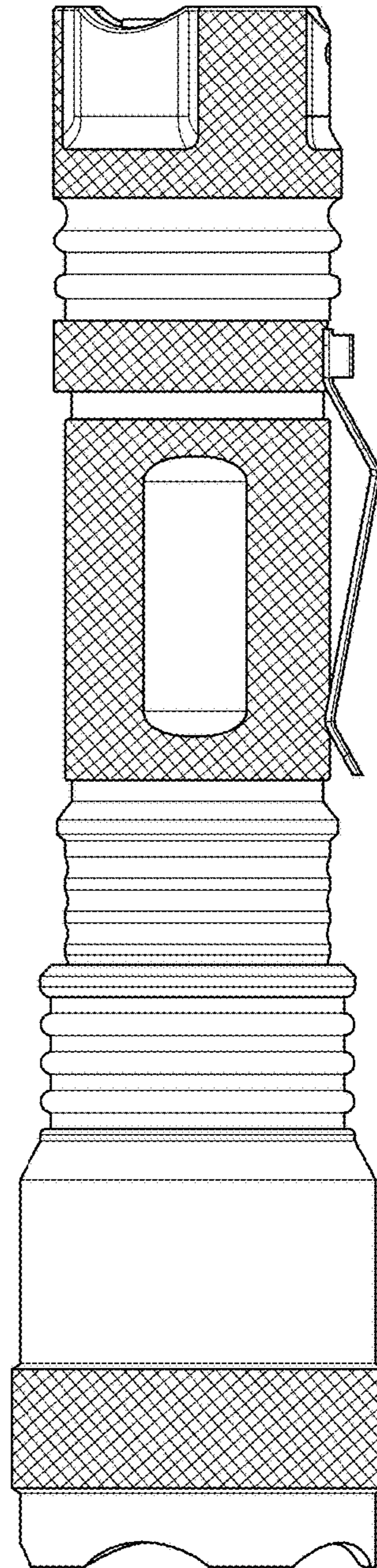


FIG. 2

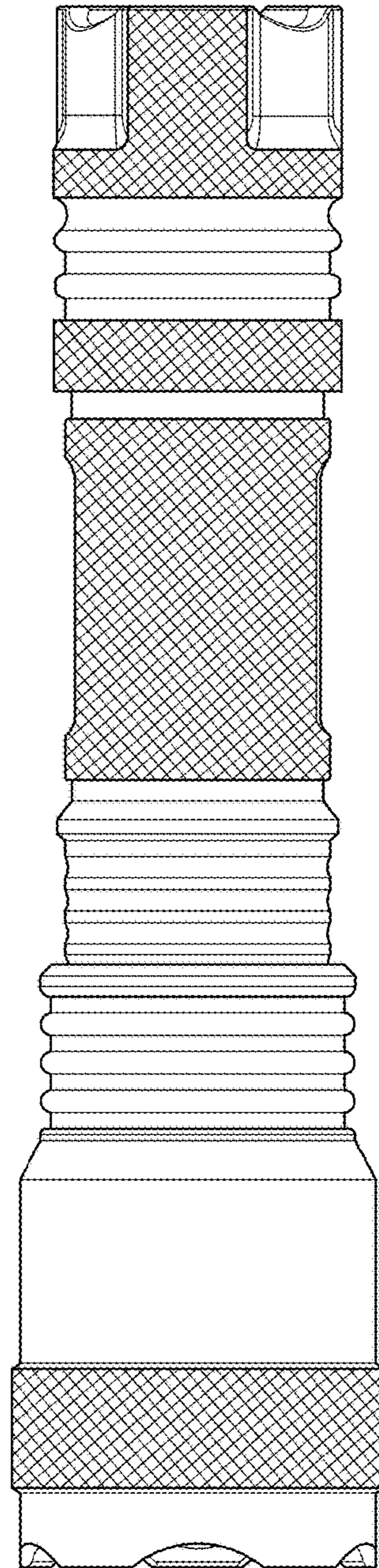


FIG. 3

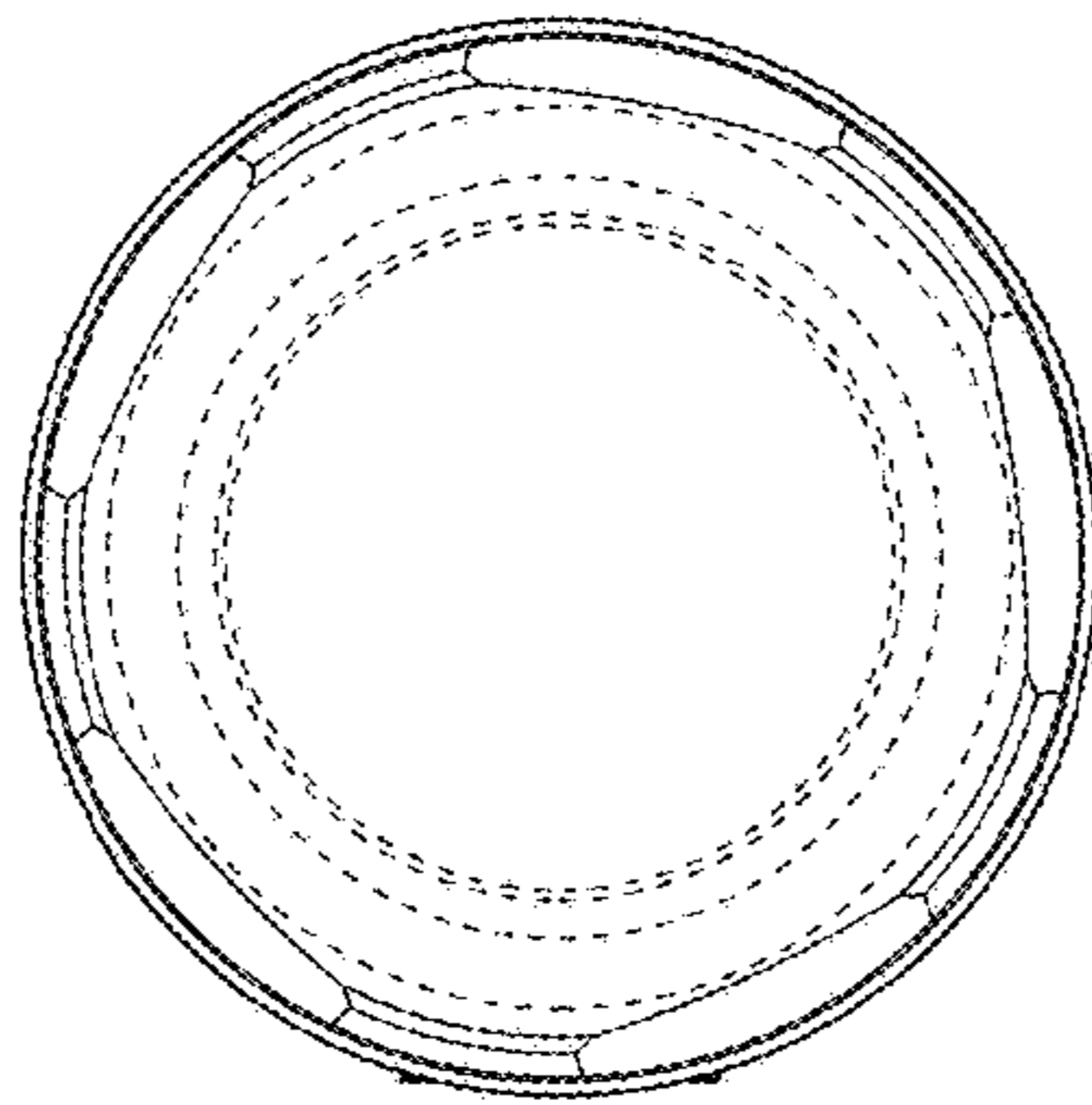


FIG. 4

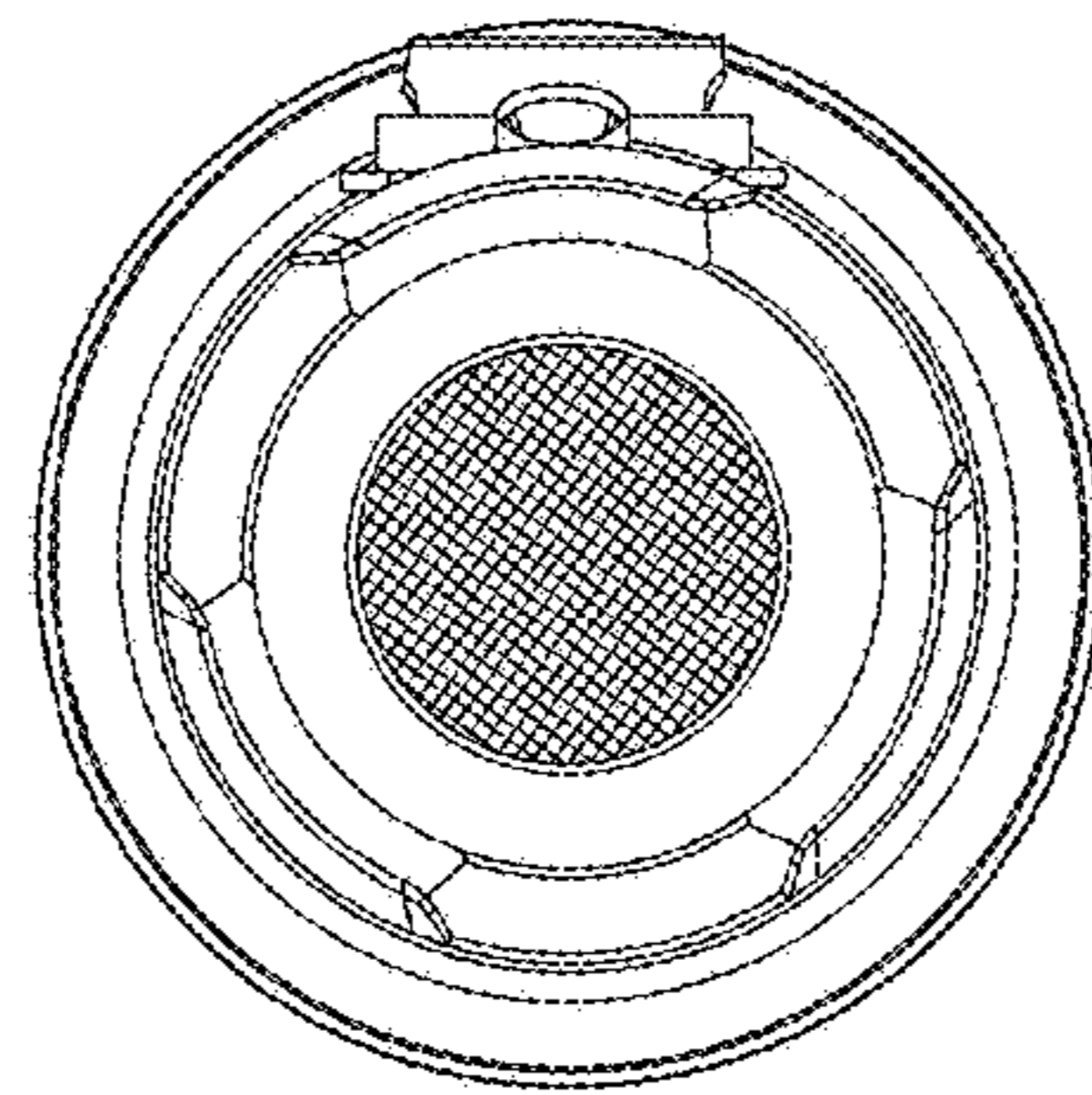


FIG. 5

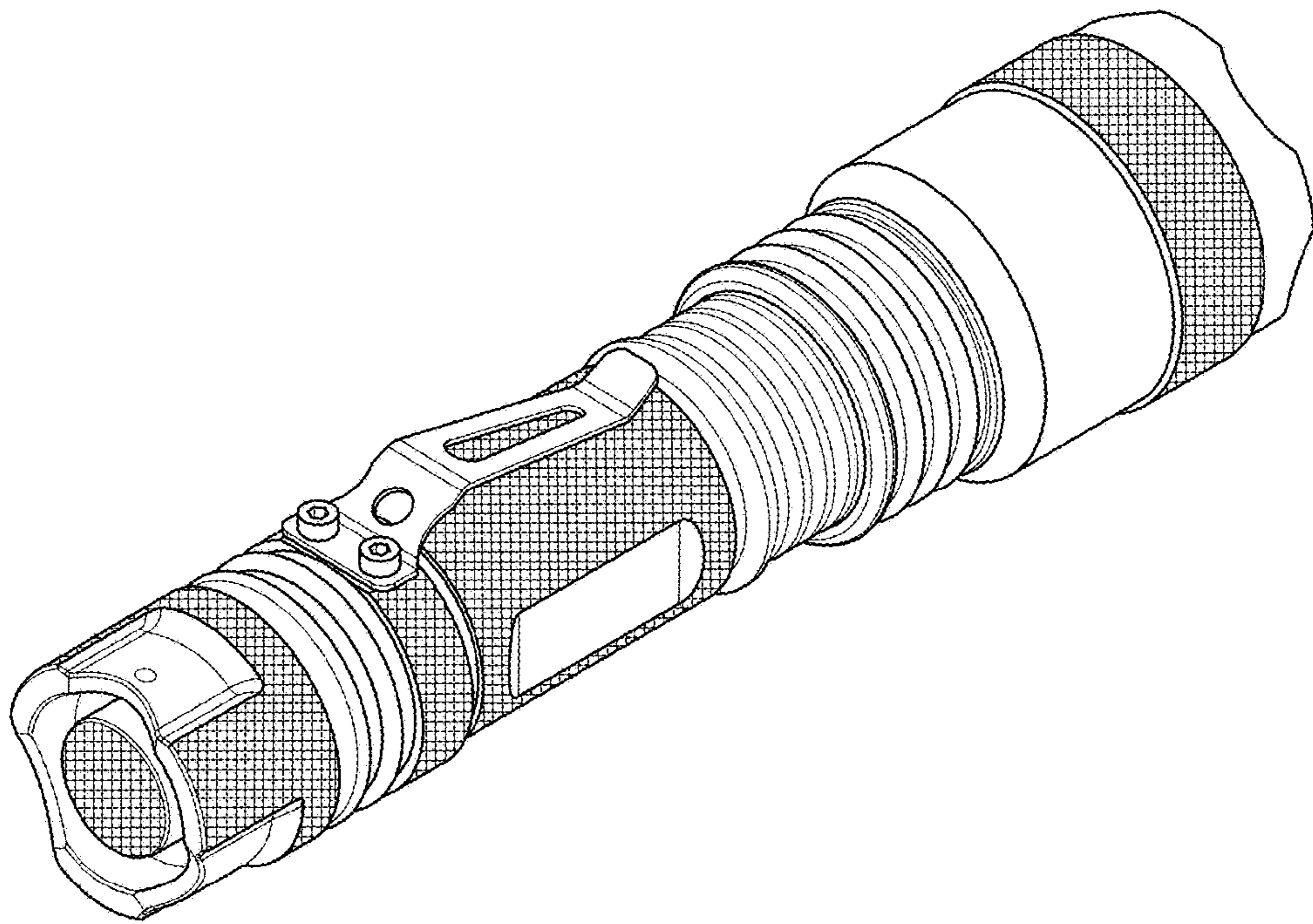


FIG. 6

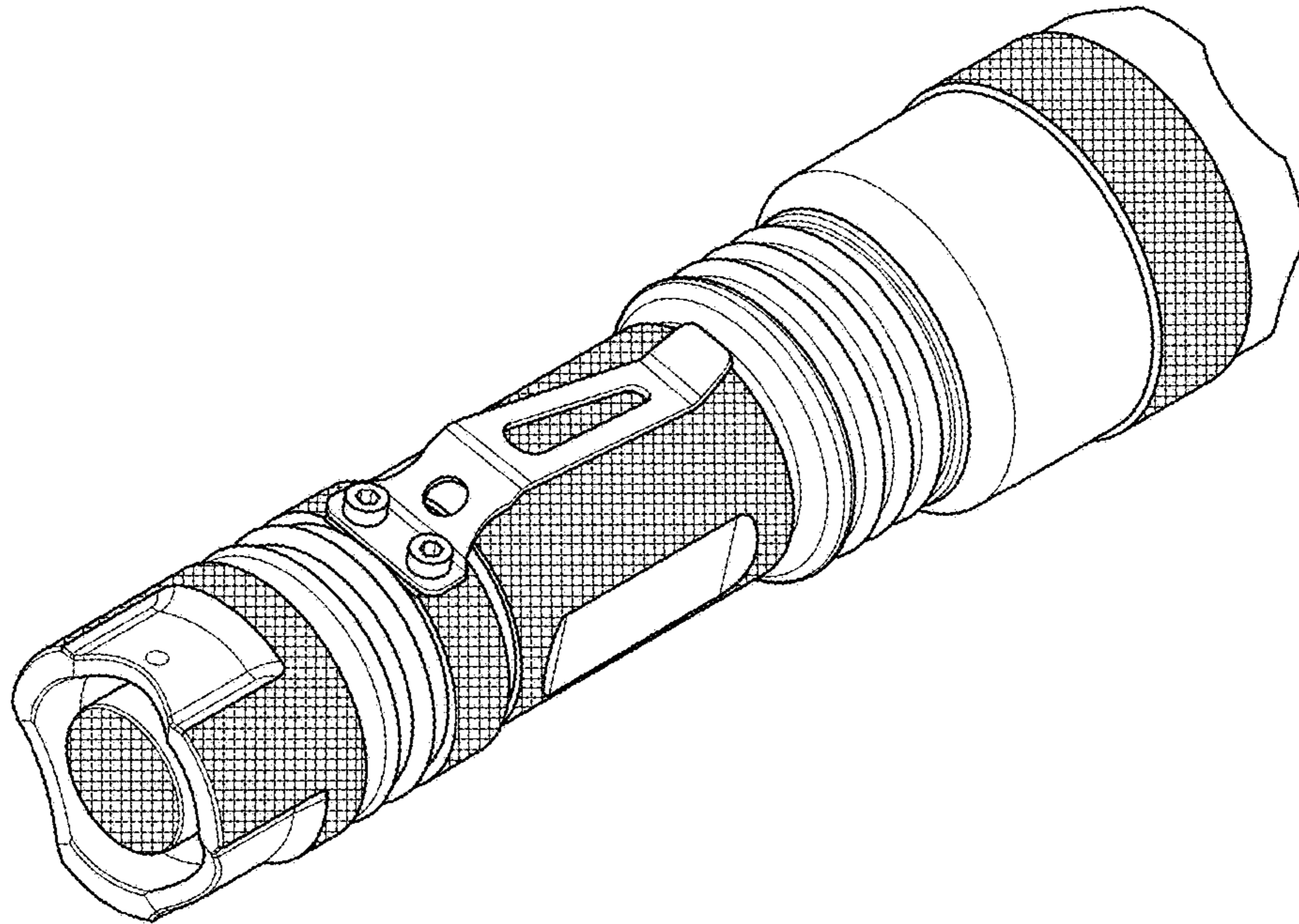


FIG. 7