



US00D861215S

(12) **United States Design Patent**
Sharrah et al.

(10) **Patent No.:** **US D861,215 S**
(45) **Date of Patent:** **** Sep. 24, 2019**

(54) **PORTABLE LIGHT HAVING A MOVABLE COLLAR**

(71) Applicant: **STREAMLIGHT, INC.**, Eagleville, PA (US)

(72) Inventors: **Raymond L. Sharrah**, Collegeville, PA (US); **Cleatis A. Eichelberger**, East Norriton, PA (US)

(73) Assignee: **Streamlight, Inc.**, Eagleville, PA (US)

(**) Term: **15 Years**

(21) Appl. No.: **29/618,159**

(22) Filed: **Sep. 19, 2017**

(51) **LOC (12) Cl.** **26-02**

(52) **U.S. Cl.**
USPC **D26/49**

(58) **Field of Classification Search**
USPC D26/37-51
CPC F21L 2003/00; F21L 4/00; F21L 4/005;
F21L 4/02; F21L 4/025; F21L 4/027;
F21L 4/04; F21L 4/08; F21L 2005/00;
F21L 7/00; F21L 11/00; F21L 13/00;
F21L 13/04; F21L 13/08; F21L 14/02;
F21L 17/00; F21L 19/00

See application file for complete search history.

(56) **References Cited**

U.S. PATENT DOCUMENTS

1,106,828 A 8/1914 Monaghan
1,264,520 A 4/1918 Holmes
1,487,983 A 3/1924 Stiriss

(Continued)

OTHER PUBLICATIONS

Streamlight MicroStream USB Flashlight.[online], [site visited Mar. 17, 2019]. Available from Internet, <URL:https://www.brightguy.

com/product/streamlight-microstream-usb-flashlight/>,9 pages (Year: 2016).*

(Continued)

Primary Examiner — Lakiya G Rogers

Assistant Examiner — Carissa C Fitts

(74) *Attorney, Agent, or Firm* — Clement A. Berard, Esq.; Dann, Dorfman, Herrell & Skillman, PC

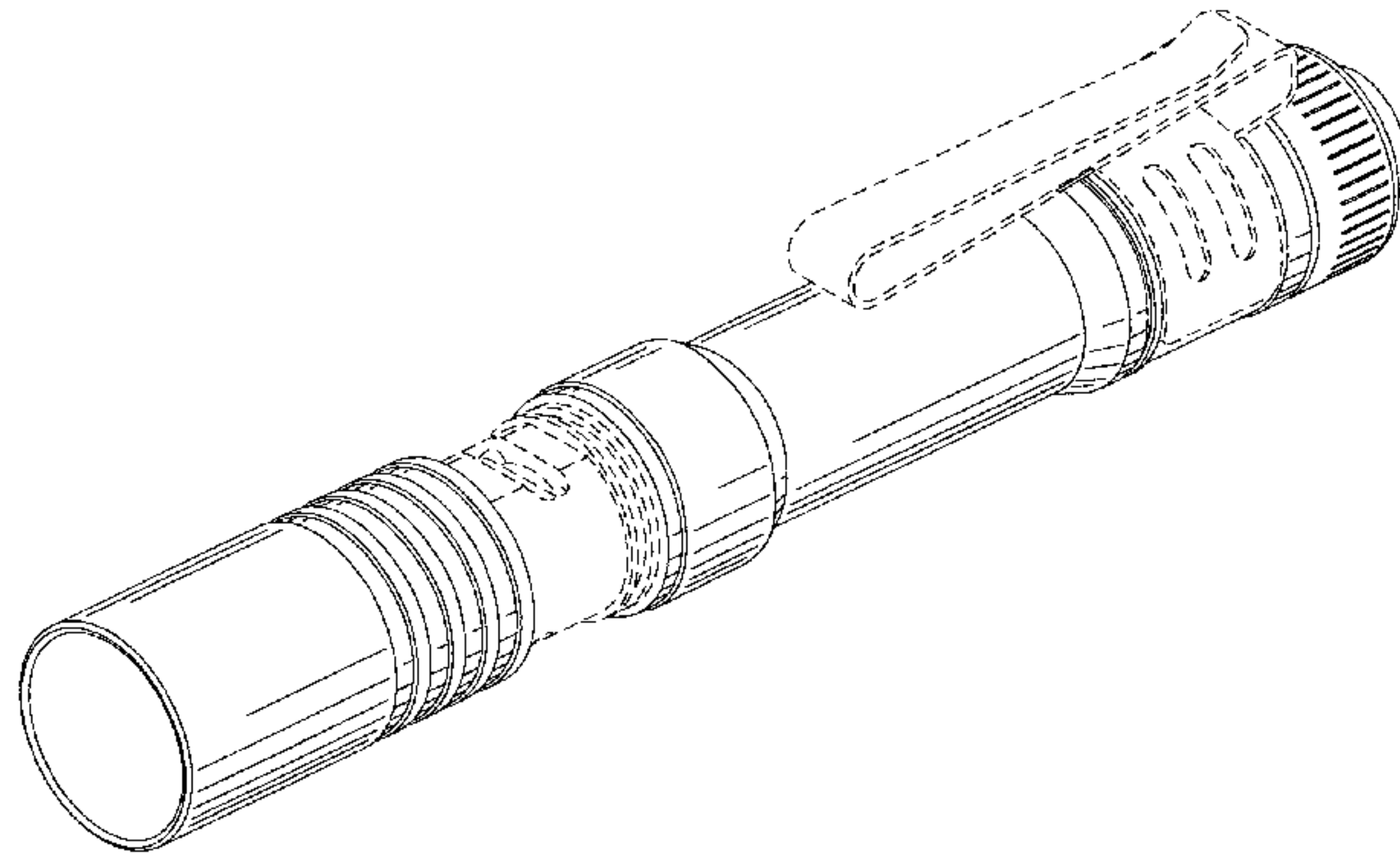
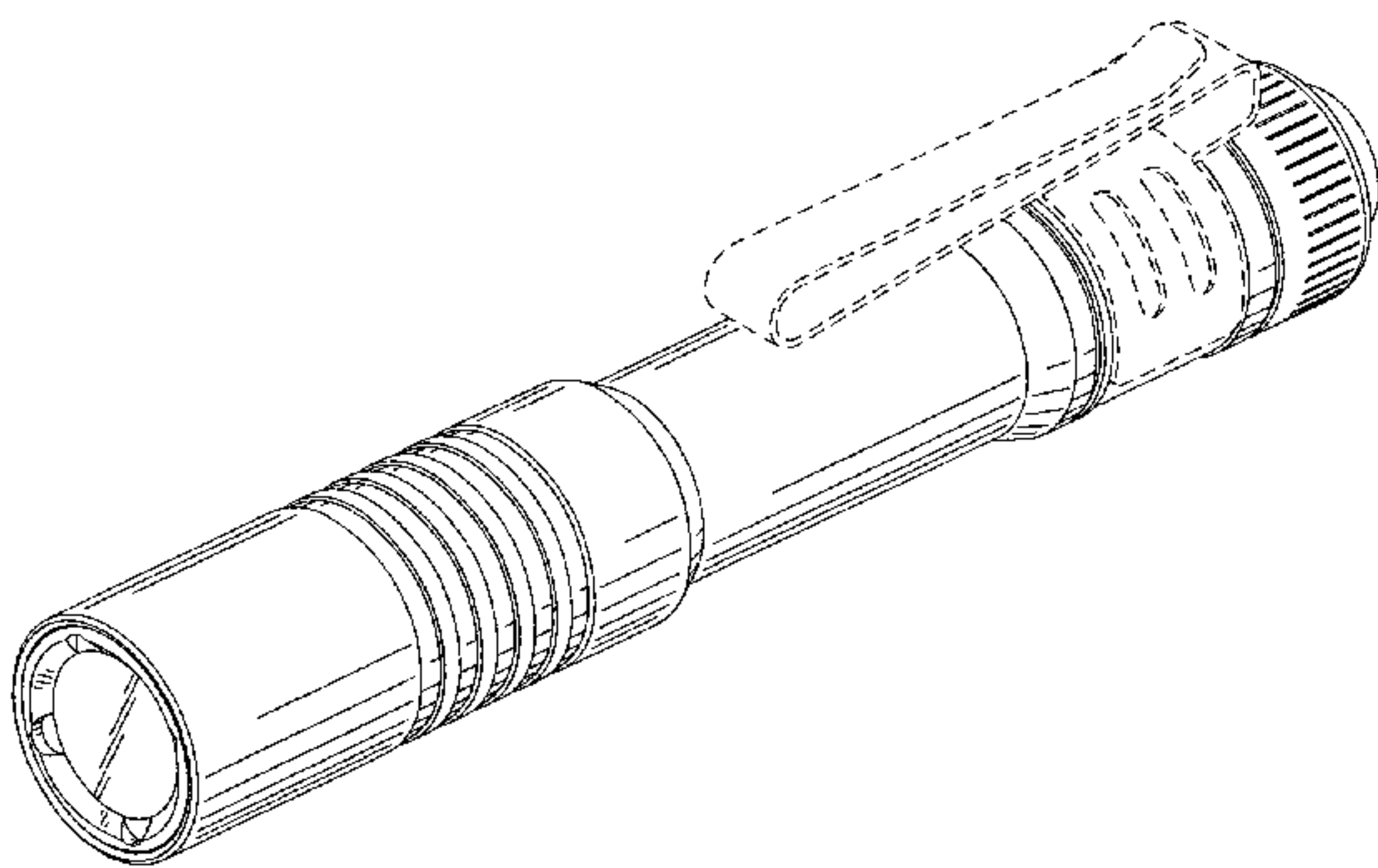
(57) **CLAIM**

The ornamental design for a portable light having a movable collar, as shown and described.

DESCRIPTION

FIG. 1 is a perspective view of an ornamental design for a portable light having a movable collar; FIG. 2 is a second perspective view thereof; FIG. 3 is a side view of a first side thereof, and the side opposite thereto is a mirror image thereof; FIG. 4 is a side view of a second side thereof; FIG. 5 is a side view of a third side thereof; FIG. 6 is an end view of a first end thereof; and FIG. 7 is an end view of a second end thereof FIG. 8 is a perspective view of the ornamental design for the portable light having a movable collar illustrating an alternate position of the movable collar; FIG. 9 is a second perspective view thereof; FIG. 10 is a side view of a first side thereof, and the side opposite thereto is a mirror image thereof; FIG. 11 is a side view of a second side thereof; FIG. 12 is a side view of a third side thereof; and End views thereof are as shown in FIGS. 6 and 7. FIG. 13 is an enlarged view of an end portion of the perspective views of FIGS. 2 and 9; FIG. 14 is an enlarged view of the end view of FIG. 7; and, FIG. 15 is an enlarged view of an end portion of the side views of FIGS. 3-5 and of FIGS. 10-12. Broken lines (dashed lines) in the DRAWING indicate unclaimed parts of the article that are not claimed herein, and that form no part of the claimed design.

1 Claim, 8 Drawing Sheets



(56)

References Cited

U.S. PATENT DOCUMENTS

1,607,647 A 11/1926 Seikot
 1,623,807 A 4/1927 Oakley
 1,810,524 A 6/1931 Lyhne
 1,919,024 A 7/1933 Abbotts
 2,183,861 A 12/1939 Cotter, Sr.
 D185,496 S 6/1959 Hansen
 2,966,872 A 1/1961 Schmocker
 3,041,717 A 7/1962 Brown
 3,293,895 A 12/1966 Leonard et al.
 3,835,272 A 9/1974 Wisenbaker
 3,887,803 A 6/1975 Savage
 D238,604 S 1/1976 Brindley
 4,176,263 A 11/1979 Rousseau
 4,228,485 A 10/1980 Hubbard
 4,290,095 A 9/1981 Schmidt
 4,346,329 A 8/1982 Schmidt
 4,358,708 A 11/1982 Silva et al.
 4,417,299 A 11/1983 Rupp
 4,487,983 A 12/1984 Miller et al.
 D293,482 S * 12/1987 Geissler D26/40
 4,841,417 A 6/1989 Maglica et al.
 4,897,769 A 1/1990 Lang
 4,939,628 A 7/1990 Wang
 5,008,784 A 4/1991 Wang
 5,131,775 A 7/1992 Chen
 5,197,796 A 3/1993 Moore
 5,303,133 A 4/1994 Wagner
 D346,871 S 5/1994 Zeller
 D349,354 S 8/1994 Yau
 5,499,172 A 3/1996 Shiau
 5,642,932 A 7/1997 Matthews
 D403,451 S 12/1998 Ting
 D407,508 S 3/1999 Chiu
 D418,235 S 12/1999 Houplain
 D419,704 S 1/2000 Ting
 D429,534 S 8/2000 Sengsouvanh et al.
 D430,321 S 8/2000 Sharrah
 6,296,371 B1 10/2001 Shiau
 D450,873 S 11/2001 Opolka
 D452,024 S 12/2001 Sharrah
 6,347,878 B1 2/2002 Shiao
 6,402,340 B1 6/2002 Sharrah
 D465,045 S * 10/2002 Yamamoto D26/49
 6,471,064 B2 10/2002 Gordon
 D465,865 S 11/2002 Hamilton et al.
 6,491,409 B1 12/2002 Sharrah
 6,523,972 B2 2/2003 Sharrah et al.
 D481,816 S 11/2003 Sharrah et al.
 D485,629 S 1/2004 Chan
 D486,930 S 2/2004 Stoddard et al.
 6,811,280 B1 11/2004 Sharrah
 D502,277 S 2/2005 Chen
 6,857,758 B1 2/2005 Sharrah
 D507,839 S 7/2005 Man
 D508,748 S 8/2005 Man
 D521,164 S 5/2006 Sharrah
 D521,170 S 5/2006 Craft et al.
 D521,666 S * 5/2006 Chean D26/37
 D521,667 S * 5/2006 Chean D26/37
 D527,476 S 8/2006 Craft
 7,152,995 B2 12/2006 Chapman
 D544,622 S 6/2007 Cheng
 D548,861 S 8/2007 Chapman
 D548,863 S 8/2007 Shiu
 D549,369 S 8/2007 DeBrunner
 D553,776 S 10/2007 Liu
 D564,116 S * 3/2008 Linardos D26/49
 D565,770 S 4/2008 Shiu
 D566,309 S 4/2008 Kornfeld et al.
 D568,515 S 5/2008 Liu
 D572,170 S 7/2008 Nielsen
 D572,395 S 7/2008 Guelzow et al.
 D574,982 S 8/2008 Lau
 D577,838 S 9/2008 Nakamura et al.
 D577,839 S 9/2008 Hazumi

D577,840 S 9/2008 Maeda
 D578,236 S * 10/2008 Dalton D26/49
 D586,025 S 2/2009 Bonis
 D586,489 S * 2/2009 Shiu D26/49
 D596,772 S * 7/2009 Chang D26/49
 D603,988 S 11/2009 Sharrah
 D603,989 S 11/2009 Gardner et al.
 D622,428 S 8/2010 Crawford et al.
 D629,542 S * 12/2010 Robinson D26/49
 D629,544 S 12/2010 Deguglimo et al.
 D639,476 S * 6/2011 Robinson D26/49
 D647,232 S 10/2011 Liu
 D647,654 S * 10/2011 Li D26/49
 D655,027 S 2/2012 Milz et al.
 D671,249 S * 11/2012 Sheikh D26/38
 D683,877 S 6/2013 Brands et al.
 D688,402 S 8/2013 Roshak
 D698,961 S * 2/2014 Dalton D26/49
 8,662,701 B2 3/2014 Sharrah et al.
 D706,897 S * 6/2014 Sheikh D22/117
 D710,526 S * 8/2014 Lee D26/49
 D716,984 S 11/2014 Inskeep
 D728,838 S * 5/2015 Maglica D26/49
 D738,021 S * 9/2015 Wang D26/41
 D739,060 S * 9/2015 Chouprinov D22/117
 D744,137 S 11/2015 Ma
 D745,987 S * 12/2015 Nawaz D22/117
 D747,024 S * 1/2016 Windom D26/49
 D749,766 S 2/2016 Nguyen
 D751,742 S * 3/2016 Windom D26/49
 D769,496 S * 10/2016 Inskeep D26/49
 D774,229 S * 12/2016 Prieto D26/49
 D788,965 S 6/2017 Roshak et al.
 D810,337 S * 2/2018 Eichelberger D26/49
 2009/0323344 A1 12/2009 Crawford

OTHER PUBLICATIONS

Streamlight, PT Series Professional Tactical Lights, 2 pages, Feb. 2010.
 Streamlight, NightFighter LED Flashlight, 1 page, Sep. 2009.
 Streamlight, Stylus Pro Alkaline Battery-Powered LED Pen Light, 1 page, Apr. 2007.
 Streamlight, Stylus Series, Stylus Pro, www.streamlight.com/product/product.aspx?pid=133#, © 2010, 4 pages.
 Streamlight, Product Fact Sheet, Streamlight Stylus Pro LED Flashlight, Document #220, 1 page, Nov. 2, 2007, Rev. Nov. 24, 2008.
 Streamlight, Polystylus Ultra-Tough Fiberglass Penlight, 2 pages, Rev. A Feb. 2009.
 Streamlight, Stylus Series, PolyStylus, www.streamlight.com/product/product.aspx?pid=156#, printed Mar. 15, 2010, 4 pages.
 Energizer, Lighting products, 3 sheets, © 2010.
 Streamlight, TL-2 L Shock-Proof Flashlight, Aug. 2007, 2 pages.
 Streamlight, TL-3 LED Flashlight, Aug. 2007, 2 pages.
 Streamlight, Tactical Hand-Held Series, www.streamlight.com/product/product.aspx?pid=35, © 2010, 4 pages.
 Eveready Industries India Ltd., “Flashlights—digiLED Torches”, 2 pages, © 2009, <http://www.evereadyindustries.com/business/flashlights/led-torches.asp>.
 Eveready Industries India Ltd., “Flashlights—Aluminium & Plastic Torches”, 2 pages, © 2009, <http://www.evereadyindustries.com/business/flashlights/aluminium-plastic.asp>.
 4SEVENS, “Products meeting the search criteria [‘quark’]” and pages for “Neutral White Quark 123²”, “Neutral White Quark AA²”, and “Quark Regular Titanium Collector’s Set”, 23 pages, © 2010, <http://www.4sevens.com/>
 4SEVENS, “Fenix Lights” and pages for “Fenix E20”, “Fenix Digital LD10+”, “Fenix Digital LD20+”, “Fenix PD20+”, and “Fenix PD30+ R4 Edition”, 19 pages, © 2010, <http://www.4sevens.com/>
 Fenix Light, Fenix’s Homepages: “New Products”, and pages for “E21 Neutral White”, “LD20 R4”, “LD10 R4”, “PD30 R4”, “PD30”, “LD20”, “TK12”, and “L Series”, 46 pages, © 2007, <http://www.fenixlight.com/>

(56)

References Cited

OTHER PUBLICATIONS

Streamlight, Inc., "Pro Tac HL—High Lumen Tactical Light", printed Jun. 18, 2012, 5 pages, www.streamlight.com/product/product.aspx?pid=254.

Streamlight, Inc., "Pro Tac—Pro Tac HL USB", © 2016, 2 pages, <http://www.streamlight.com/en-us/product/product.html?pid=321>.

Streamlight, Inc., "Pro Tac—Pro Tac 1AA", © 2016, 1 page, <http://www.streamlight.com/en-us/product/product.html?pid=199>.

Streamlight, Inc., "Pro Tac—Pro Tac 1L", © 2016, 1 page, <http://www.streamlight.com/en-us/product/product.html?pid=200>.

Eveready Lighting products, Catalog, Spring 1983, 24 Pages.

Promo-lite Brochure, published before May 2007, 4 Pages.

Schneider, "Collecting Flashlight With Value Guide", Schiffer Publishing Ltd, 1996, 23 Pages.

Streamlight, Inc., "LED Lamp assembly, Drawing No. C130143", Mar. 1997, 1 page.

Eichelberger, Cleatis A., "Portable Light", Design U.S. Appl. No. 29/551,554, filed Jan. 14, 2016, 8 pages.

Streamlight, "Microstream Ultra-Compact Personal Light", © 2016, 1 page.

Streamlight, "C4 LED Powerful Mini LED Flashlight" Product Specifications, prior to Sep. 19, 2017 filing date, 2 pages.

* cited by examiner

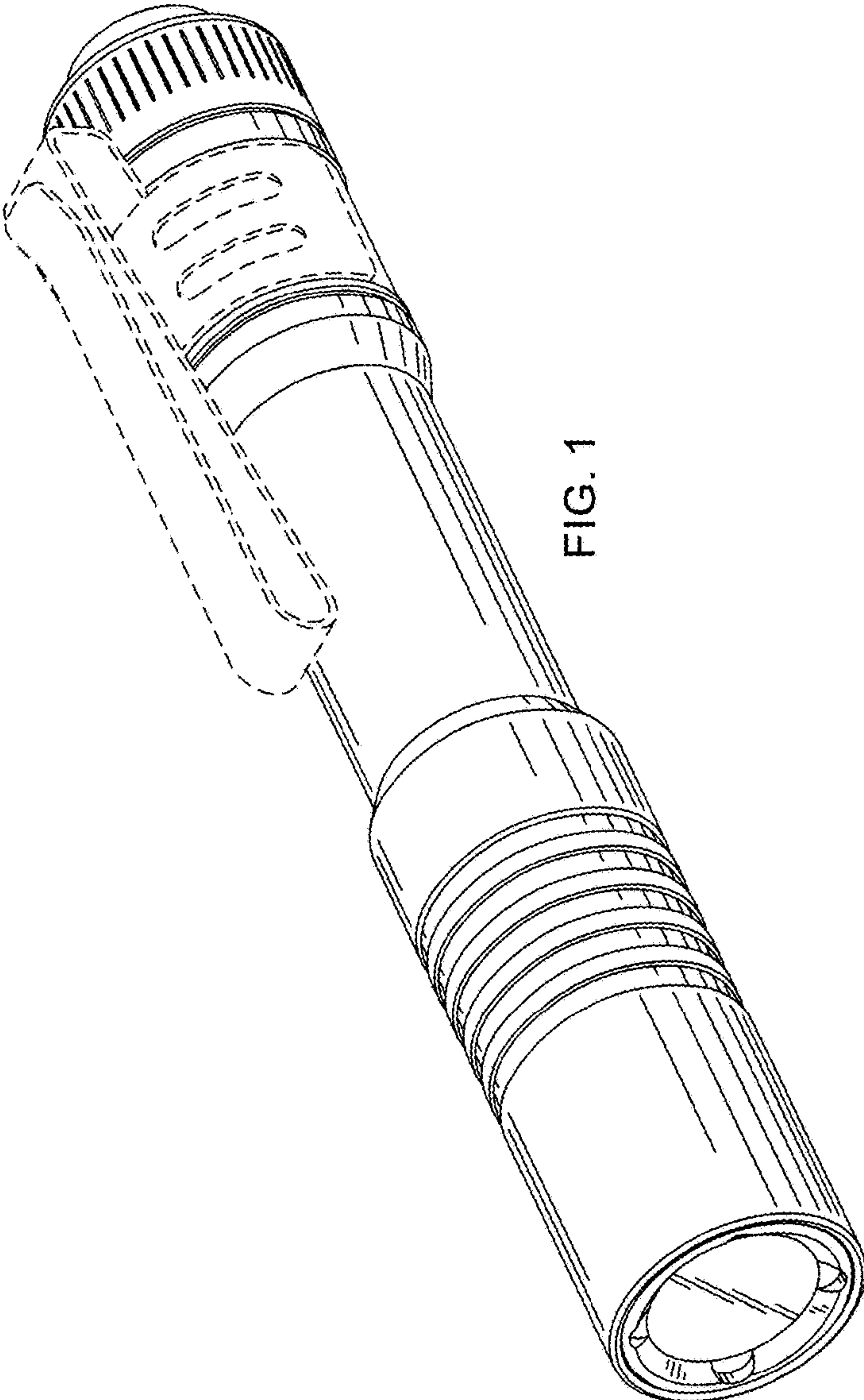


FIG. 1

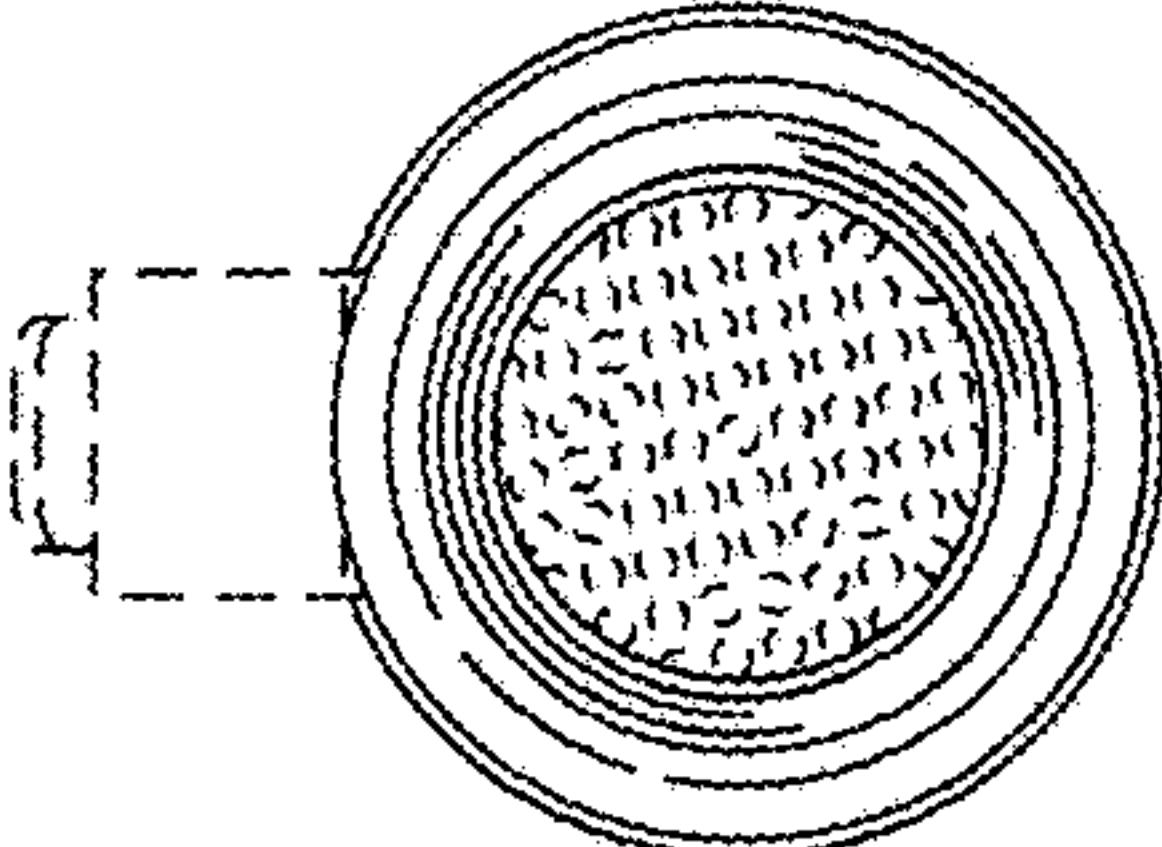


FIG. 7

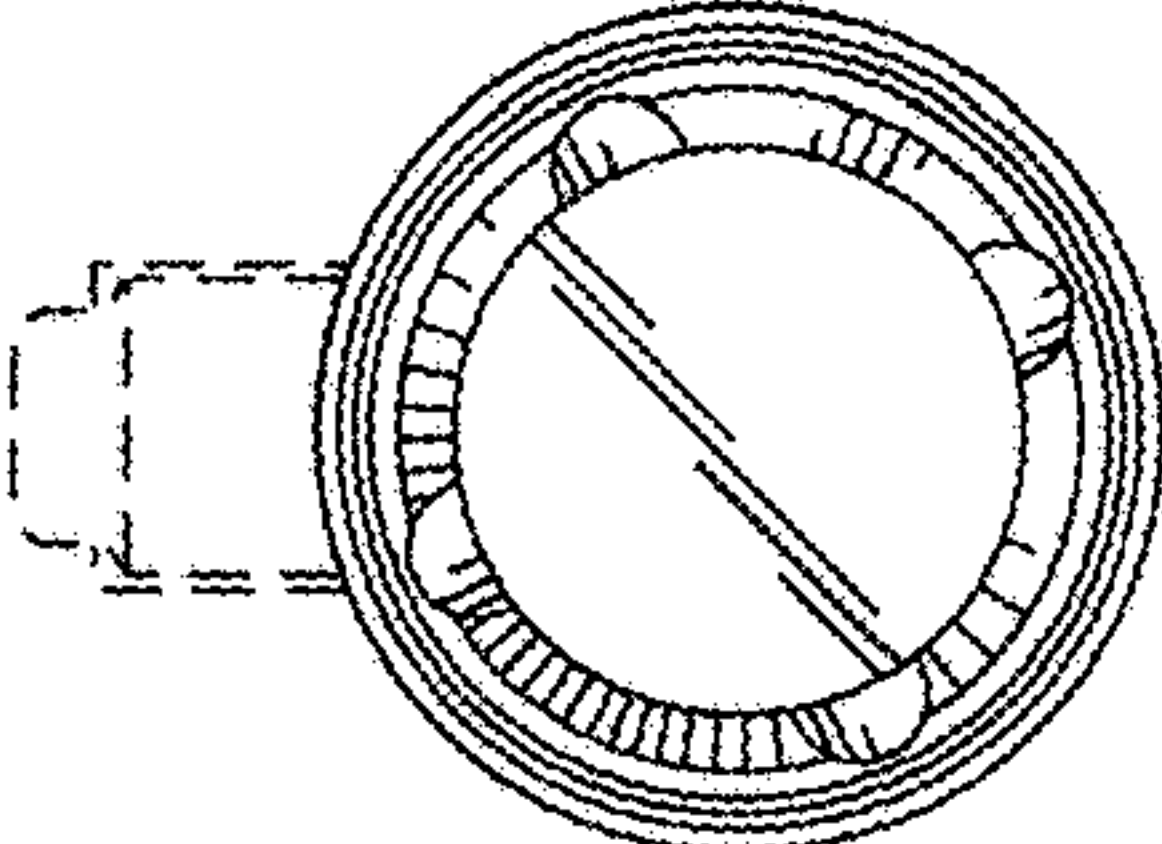


FIG. 6

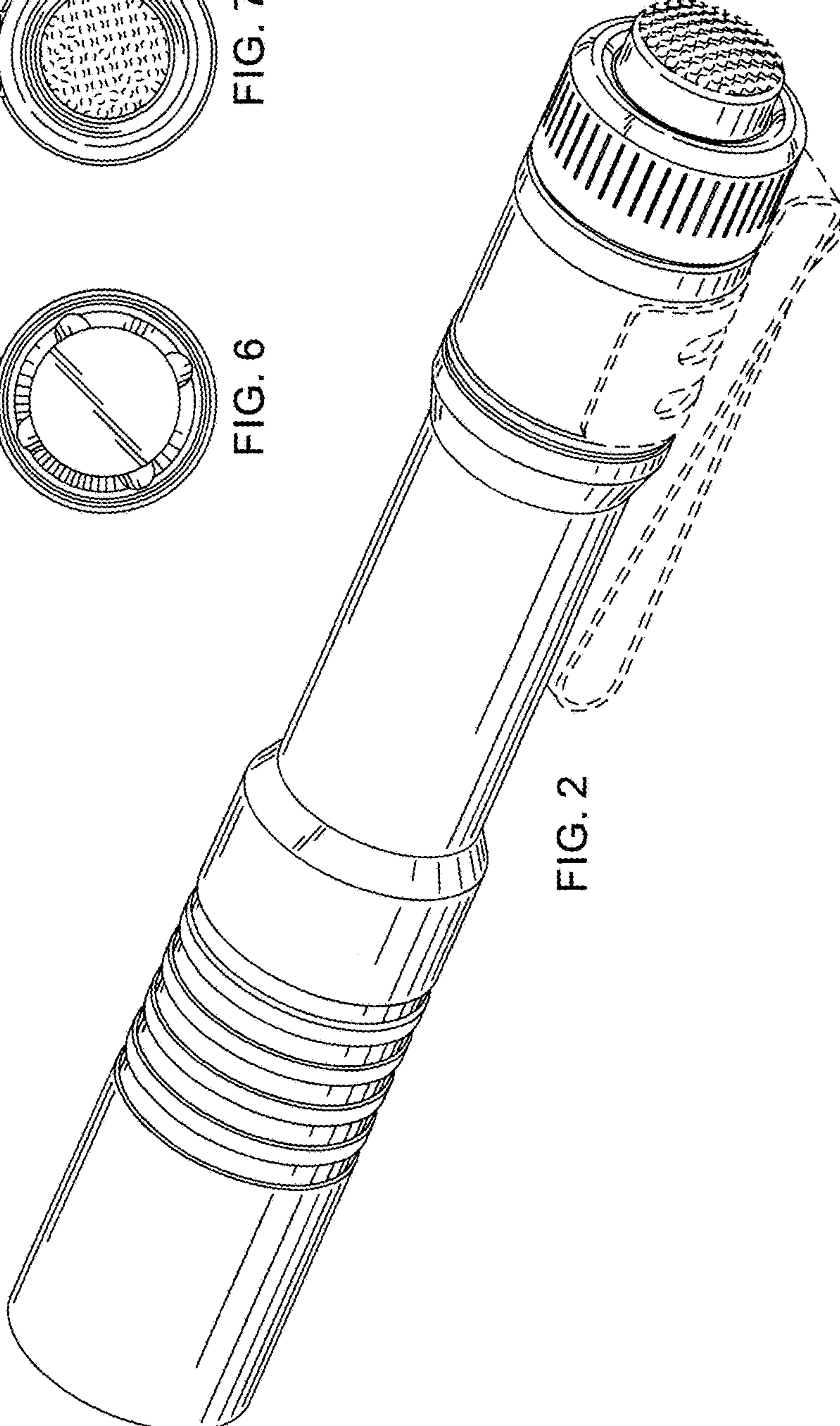


FIG. 2

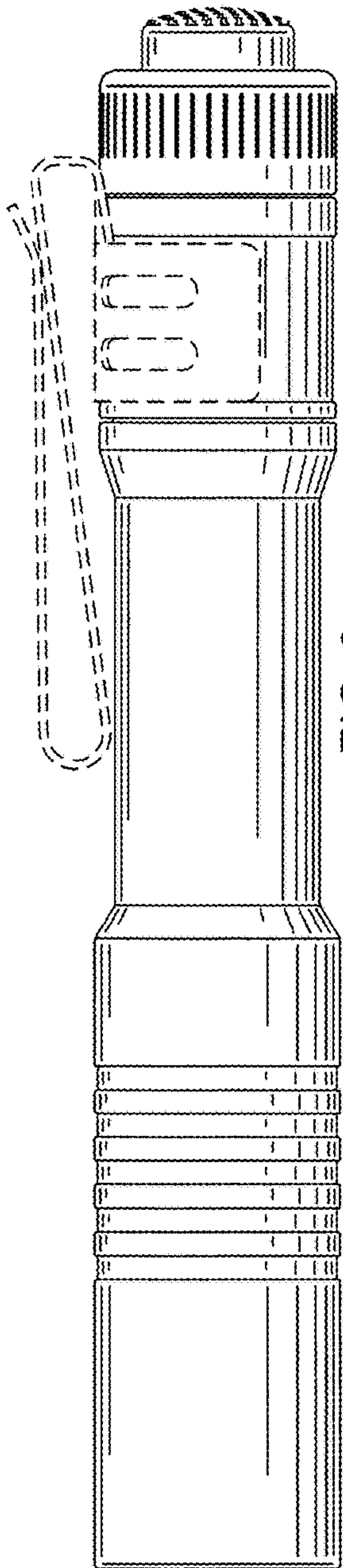


FIG. 3

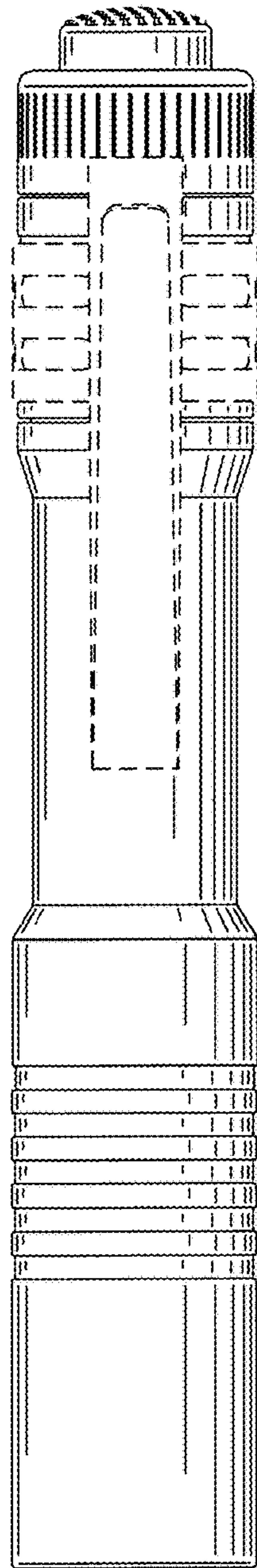


FIG. 4

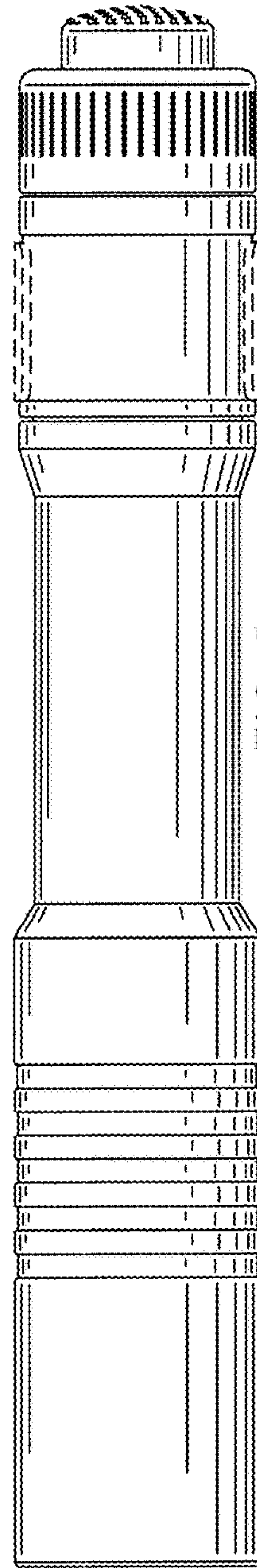
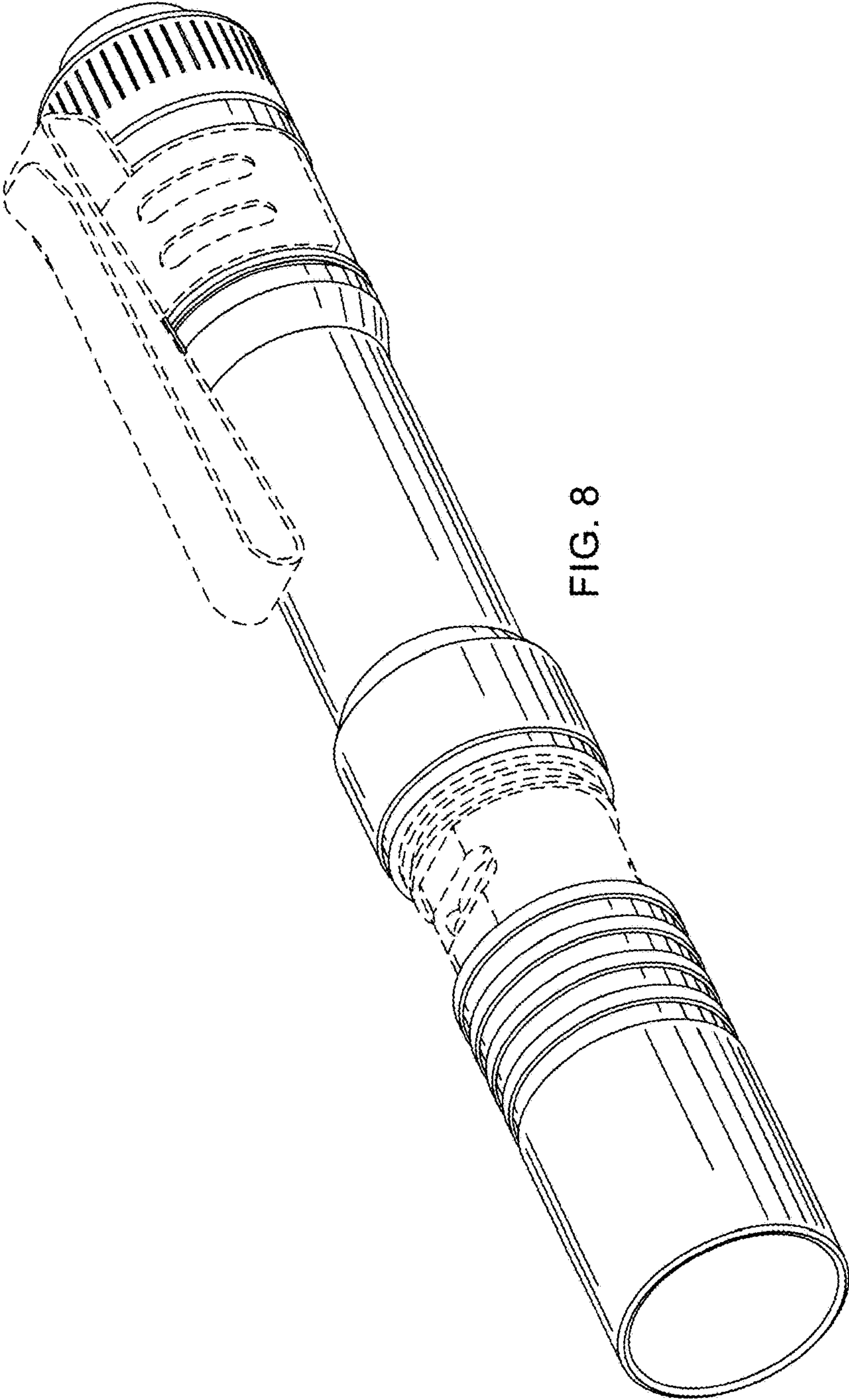


FIG. 5



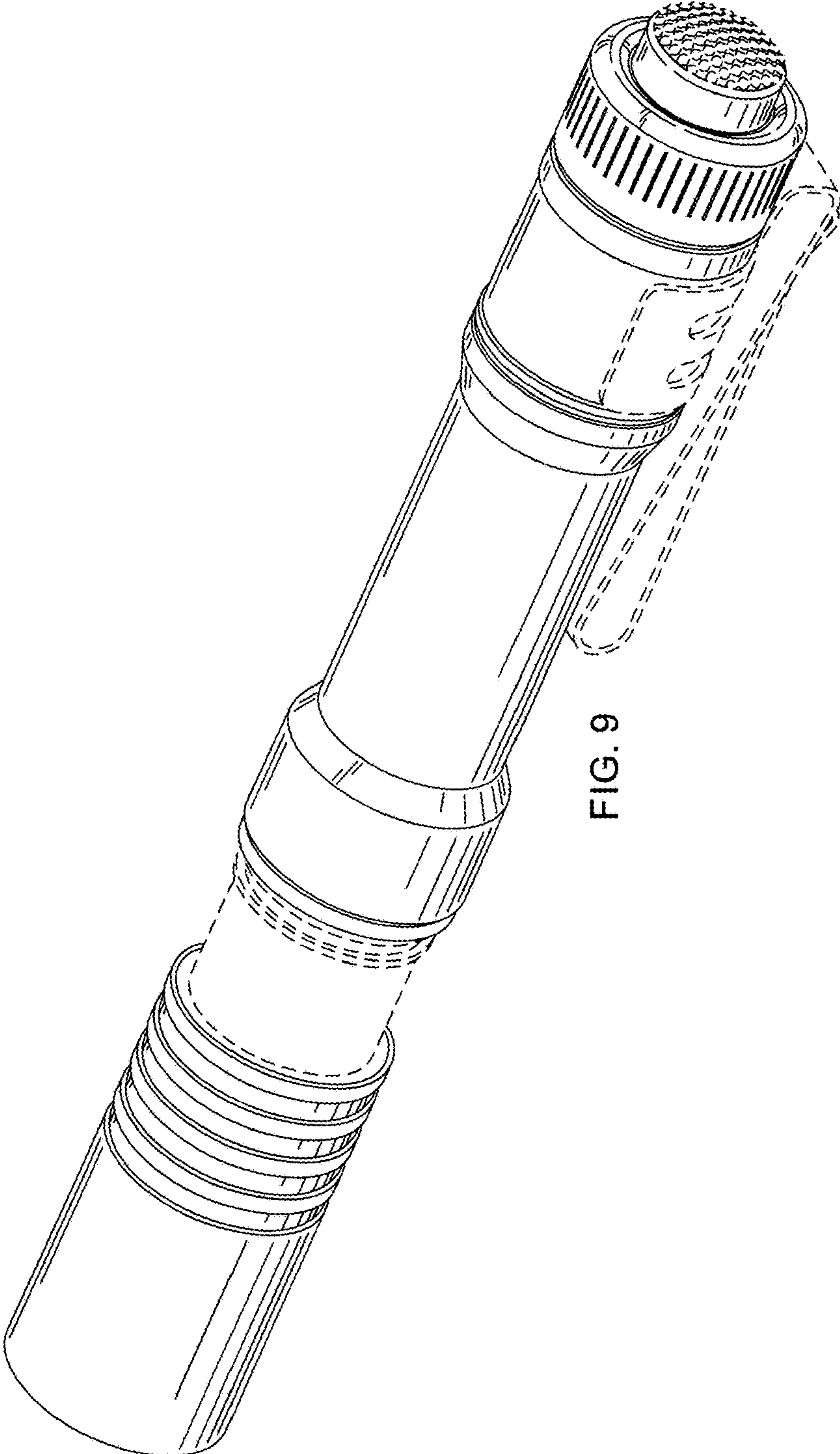


FIG. 9

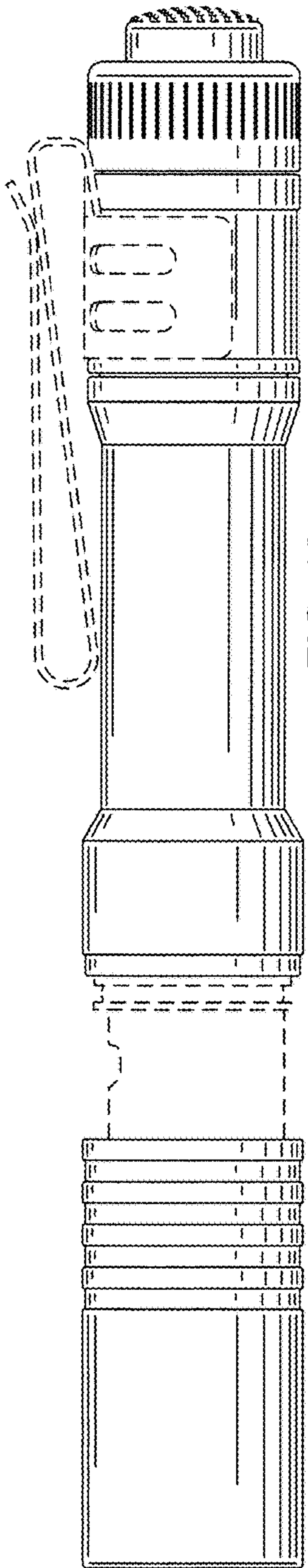


FIG. 10

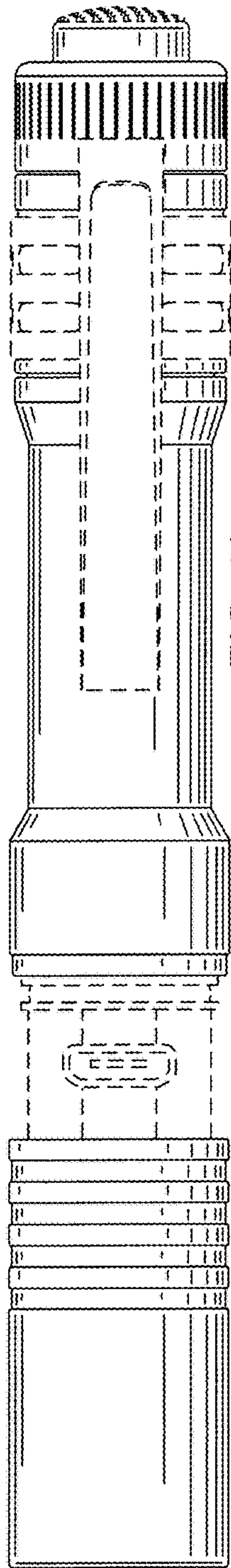


FIG. 11

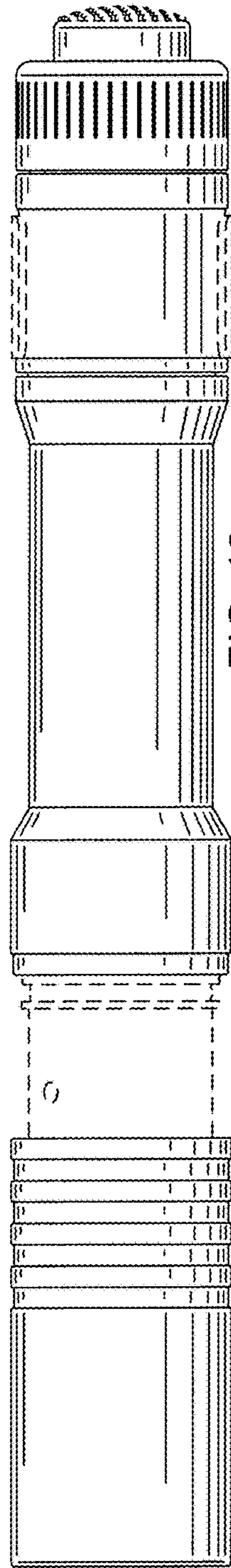


FIG. 12

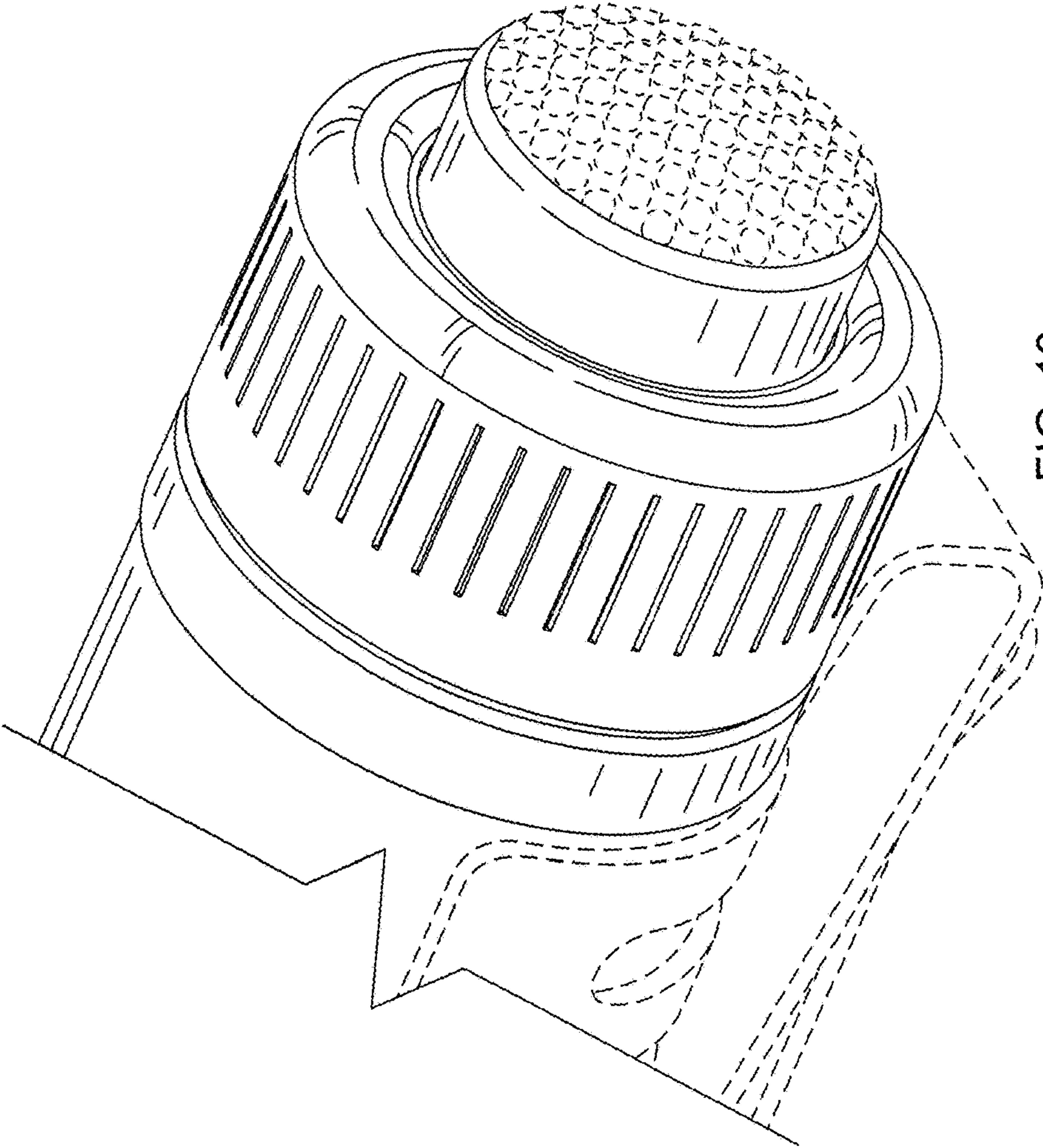


FIG. 13

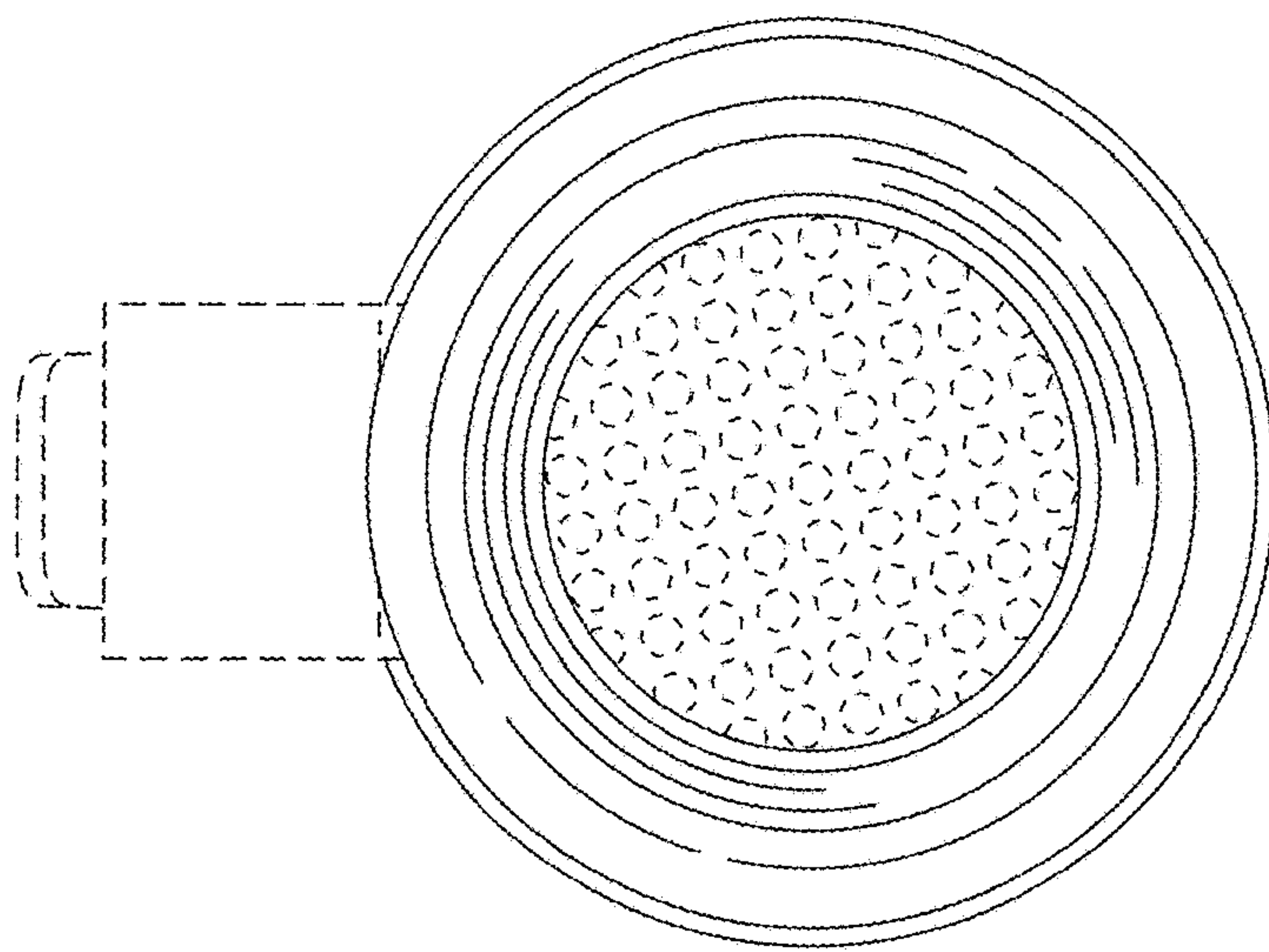


FIG. 14

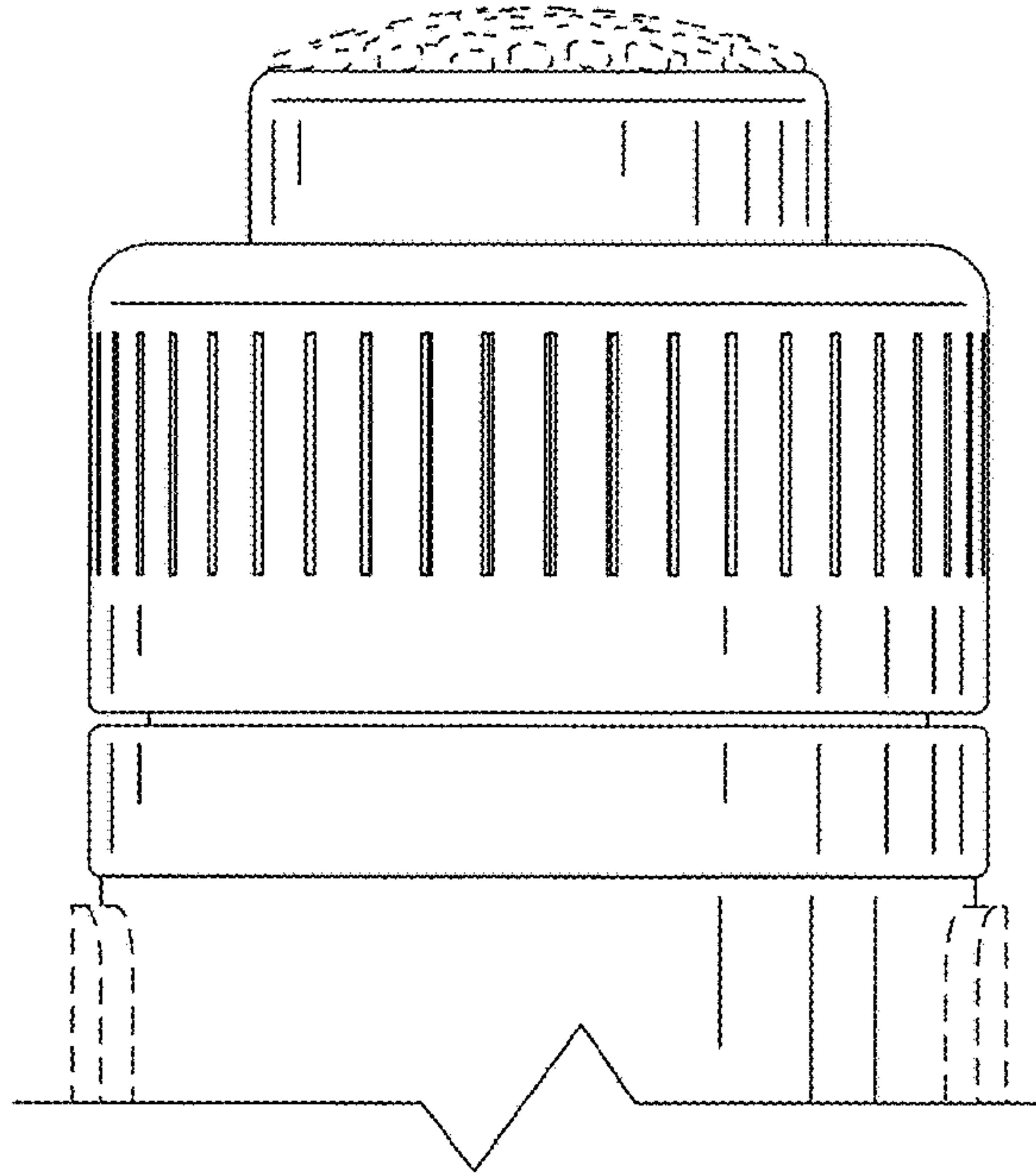


FIG. 15