



US00D861213S

(12) **United States Design Patent** (10) **Patent No.:** **US D861,213 S**
Petzl (45) **Date of Patent:** **** Sep. 24, 2019**

(54) **HEADLAMP**
(71) Applicant: **ZEDEL**, Crolles (FR)
(72) Inventor: **Paul Petzl**, Crolles (FR)
(73) Assignee: **ZEDEL**, Crolles (FR)
(**) Term: **15 Years**
(21) Appl. No.: **29/621,781**
(22) Filed: **Oct. 11, 2017**

D677,816 S *	3/2013	Petzl	D26/39
D736,978 S *	8/2015	Petzl	D26/39
D750,824 S *	3/2016	Bonang	D26/39
D751,743 S *	3/2016	Watson	D26/113
D751,744 S *	3/2016	Watson	D26/113
D752,262 S *	3/2016	Jones	D26/39
D788,338 S *	5/2017	Koshiba	D26/39
D788,339 S *	5/2017	Koshiba	D26/39
D788,340 S *	5/2017	Koshiba	D26/39
D820,468 S *	6/2018	Hagood	D24/231
D828,597 S *	9/2018	Petzl	D26/39
D828,598 S *	9/2018	Petzl	D26/39
D828,599 S *	9/2018	Petzl	D26/39
2010/0128468 A1 *	5/2010	Ong	A42B 3/044 362/106

(30) **Foreign Application Priority Data**
Apr. 13, 2017 (EM) 003855253-0001
(51) **LOC (12) Cl.** **26-02**
(52) **U.S. Cl.**
USPC **D26/39**
(58) **Field of Classification Search**
USPC D26/37-51
CPC F21L 2003/00; F21L 4/00; F21L 4/005;
F21L 4/02; F21L 4/025; F21L 4/027;
F21L 4/04; F21L 4/08; F21L 2005/00;
F21L 7/00; F21L 11/00; F21L 13/00;
F21L 13/04; F21L 13/08; F21L 14/02;
F21L 17/00; F21L 19/00; F21L 25/00
See application file for complete search history.

* cited by examiner

Primary Examiner — Lakiya G Rogers
Assistant Examiner — Carissa C Fitts
(74) *Attorney, Agent, or Firm* — Oliff PLC

(56) **References Cited**
U.S. PATENT DOCUMENTS
D491,680 S * 6/2004 Okuda D26/39
D527,127 S * 8/2006 Petzl D26/39
D623,783 S * 9/2010 Christianson D26/39
D676,992 S * 2/2013 Trude D26/39

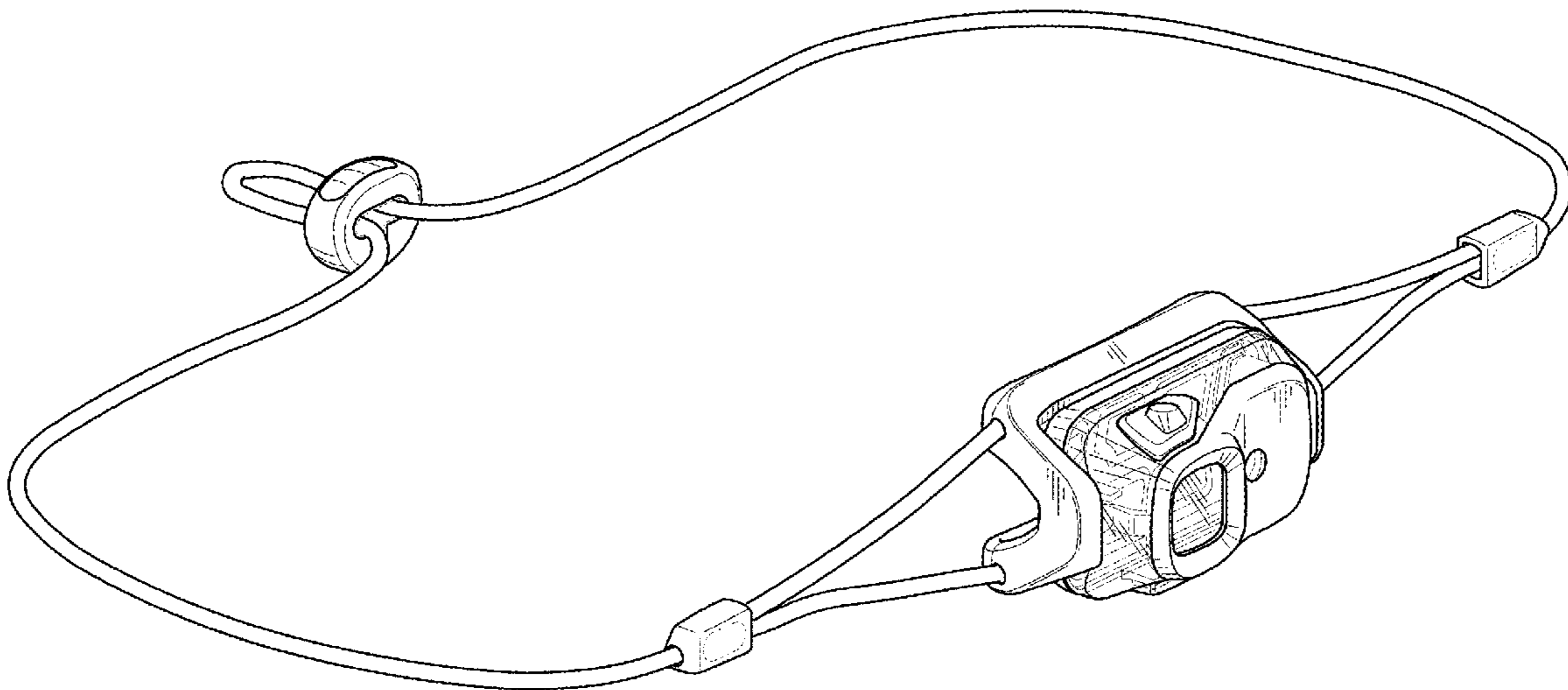
(57) **CLAIM**

The ornamental design for a headlamp, as shown and described.

DESCRIPTION

FIG. 1 is a front, left-side, top perspective view of the headlamp;
FIG. 2 is a front elevational view thereof;
FIG. 3 is a top plan view thereof;
FIG. 4 is a right-side elevational view thereof;
FIG. 5 is a left-side elevational view thereof;
FIG. 6 is a rear elevational view thereof; and,
FIG. 7 is a bottom plan view thereof.
The broken lines depict unclaimed parts of the headlamp, and thus form no part of the claimed design.

1 Claim, 6 Drawing Sheets



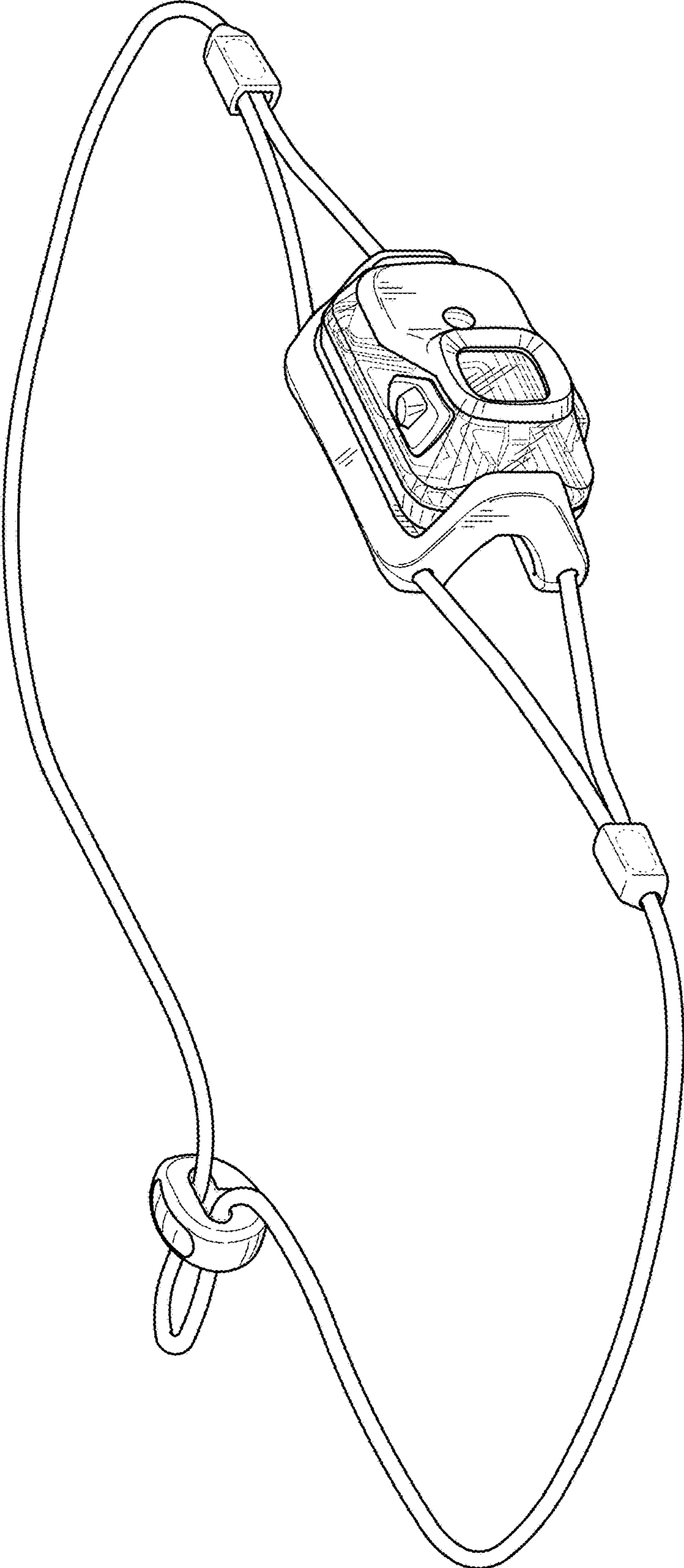


FIG. 1

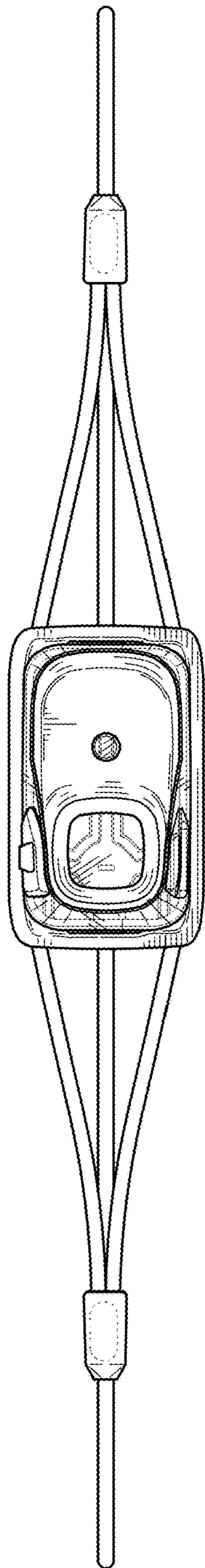


FIG. 2

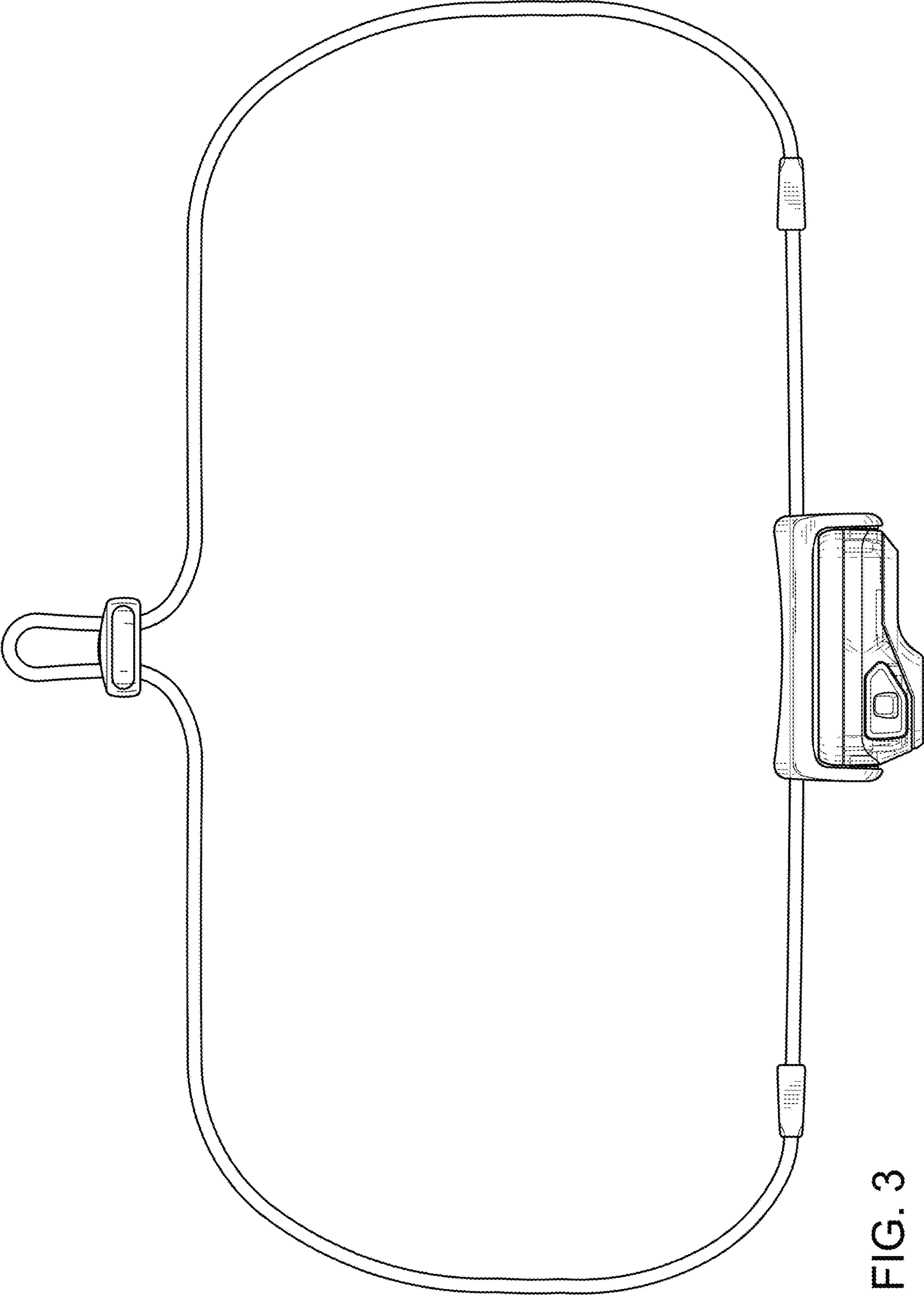


FIG. 3

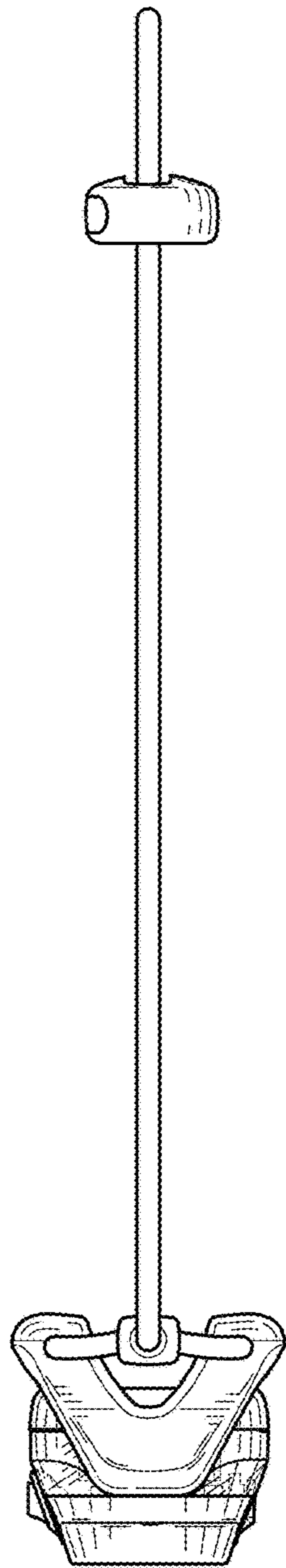


FIG. 4

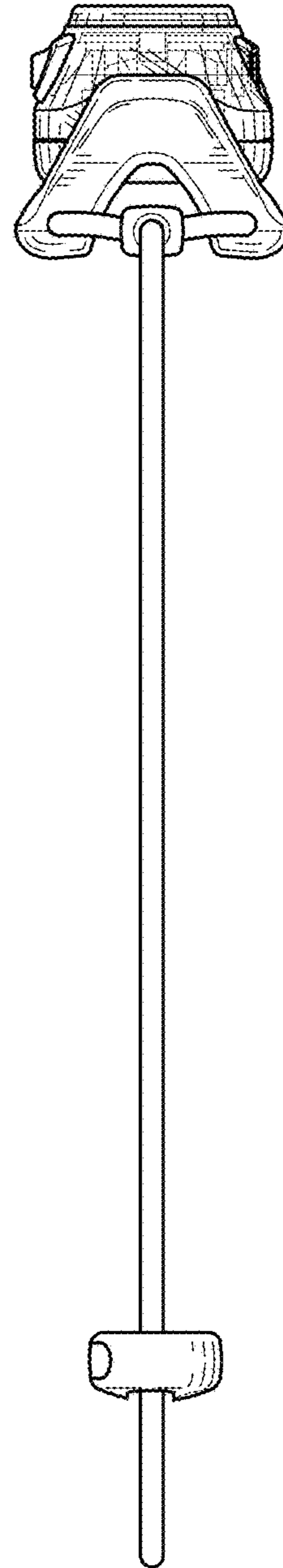


FIG. 5

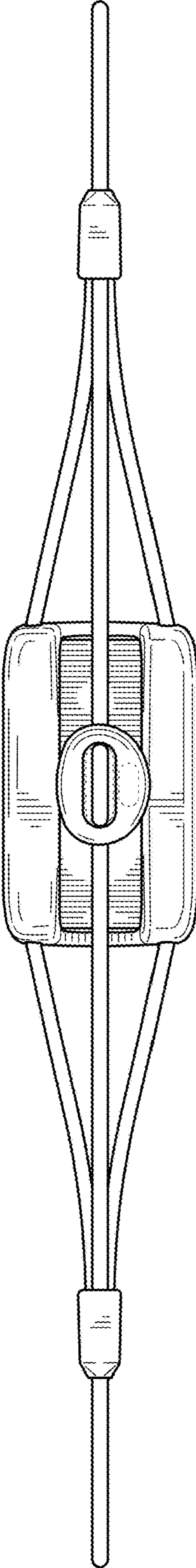


FIG. 6

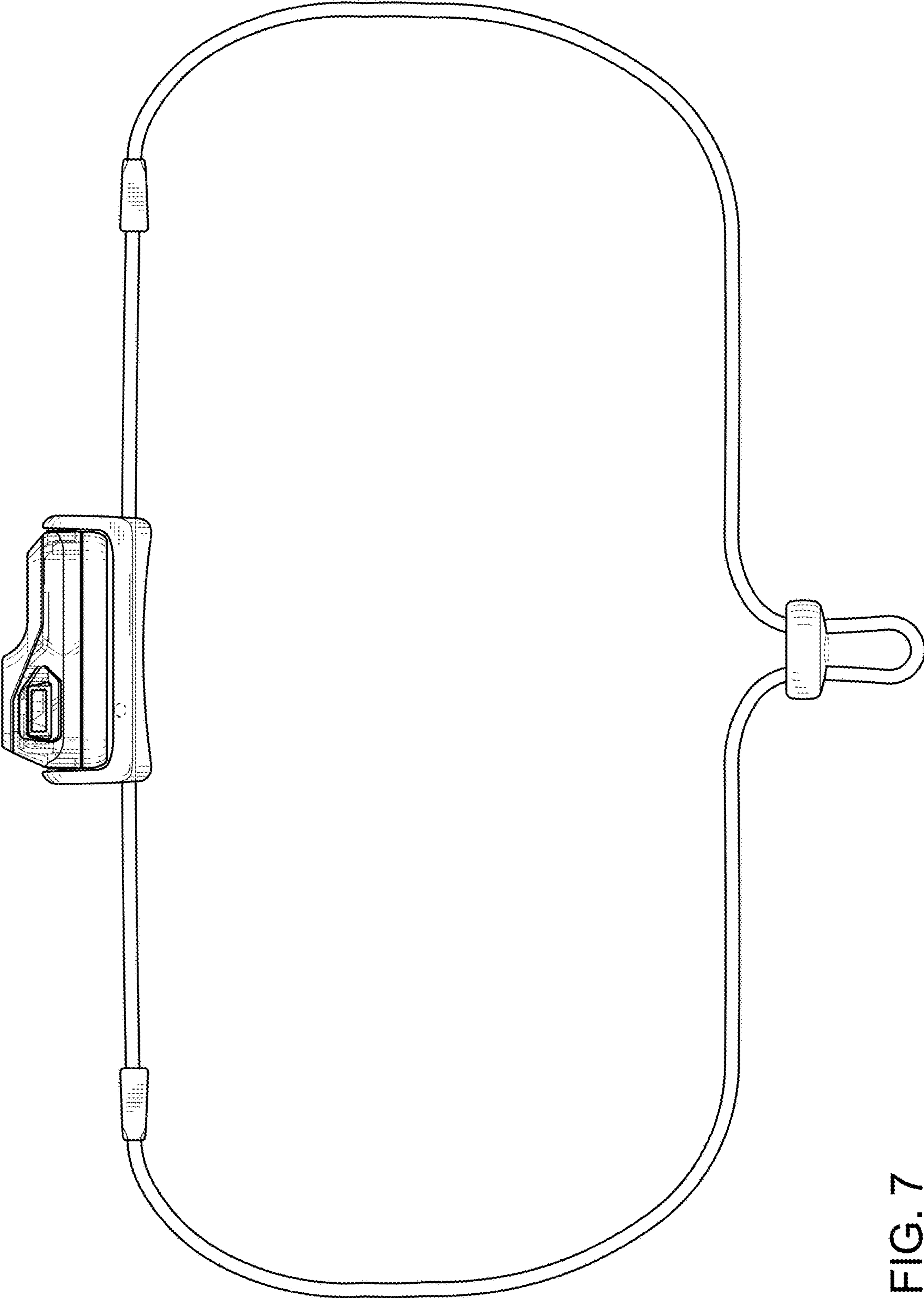


FIG. 7