



US00D861211S

(12) **United States Design Patent**
Windom et al.

(10) **Patent No.:** **US D861,211 S**
(45) **Date of Patent:** **** Sep. 24, 2019**

- (54) **HEADLAMP**
- (71) Applicant: **Coast Cutlery Co.**, Portland, OR (US)
- (72) Inventors: **Gregory David Windom**, Portland, OR (US); **David Lewin**, Portland, OR (US)
- (73) Assignee: **Coast Cutlery Co.**, Portland, OR (US)
- (**) Term: **15 Years**
- (21) Appl. No.: **29/547,898**
- (22) Filed: **Dec. 8, 2015**
- (51) **LOC (12) Cl.** **26-02**
- (52) **U.S. Cl.**
USPC **D26/39**
- (58) **Field of Classification Search**
USPC D26/39, 40, 37, 38, 44, 46, 41-42, D26/48-49; 396/29; D16/200, 211; 2/422
CPC . A42B 3/04; A42B 3/044; F21L 15/14; F21L 11/00; B63C 9/20
See application file for complete search history.

(56) **References Cited**

U.S. PATENT DOCUMENTS

D208,423	S *	8/1967	Ota	D10/114.1
3,906,216	A *	9/1975	Eriksson	F21L 15/14 24/115 H
D263,651	S *	4/1982	Meo	D26/38
4,400,763	A *	8/1983	Kribs	F21L 11/00 362/103
5,255,168	A *	10/1993	Stevens	F21L 4/04 362/103
D492,052	S *	6/2004	Schnell	D26/39
D503,817	S *	4/2005	Shiu	D26/39
D504,695	S *	5/2005	Shimobayashi	D16/202
D520,162	S *	5/2006	Shiu	D26/39
D525,734	S *	7/2006	Shiao	D26/39
D556,927	S *	12/2007	Shiu	D26/39

7,377,665	B2 *	5/2008	Langenwalter	A44B 11/005 362/103
7,577,345	B2 *	8/2009	Tei	G03B 17/08 396/26
7,611,255	B1 *	11/2009	Lagassey	A42B 1/244 362/103
7,699,485	B1 *	4/2010	Lagassey	A41D 1/002 362/103
8,172,419	B1 *	5/2012	Gasparre	F21L 4/005 362/103
8,370,967	B2 *	2/2013	Chen	A42B 3/145 2/414
8,374,495	B2 *	2/2013	Yim	G03B 17/02 348/81
D683,489	S *	5/2013	Lee	D26/39
D707,868	S *	6/2014	Lee	D26/39
D712,579	S *	9/2014	Cen	D26/39
D715,846	S *	10/2014	Troxel	D16/202
D715,982	S *	10/2014	Windom	D26/39

(Continued)

Primary Examiner — Shannon W Morgan
Assistant Examiner — Altaira J Swangin
(74) *Attorney, Agent, or Firm* — Schwabe Williamson & Wyatt

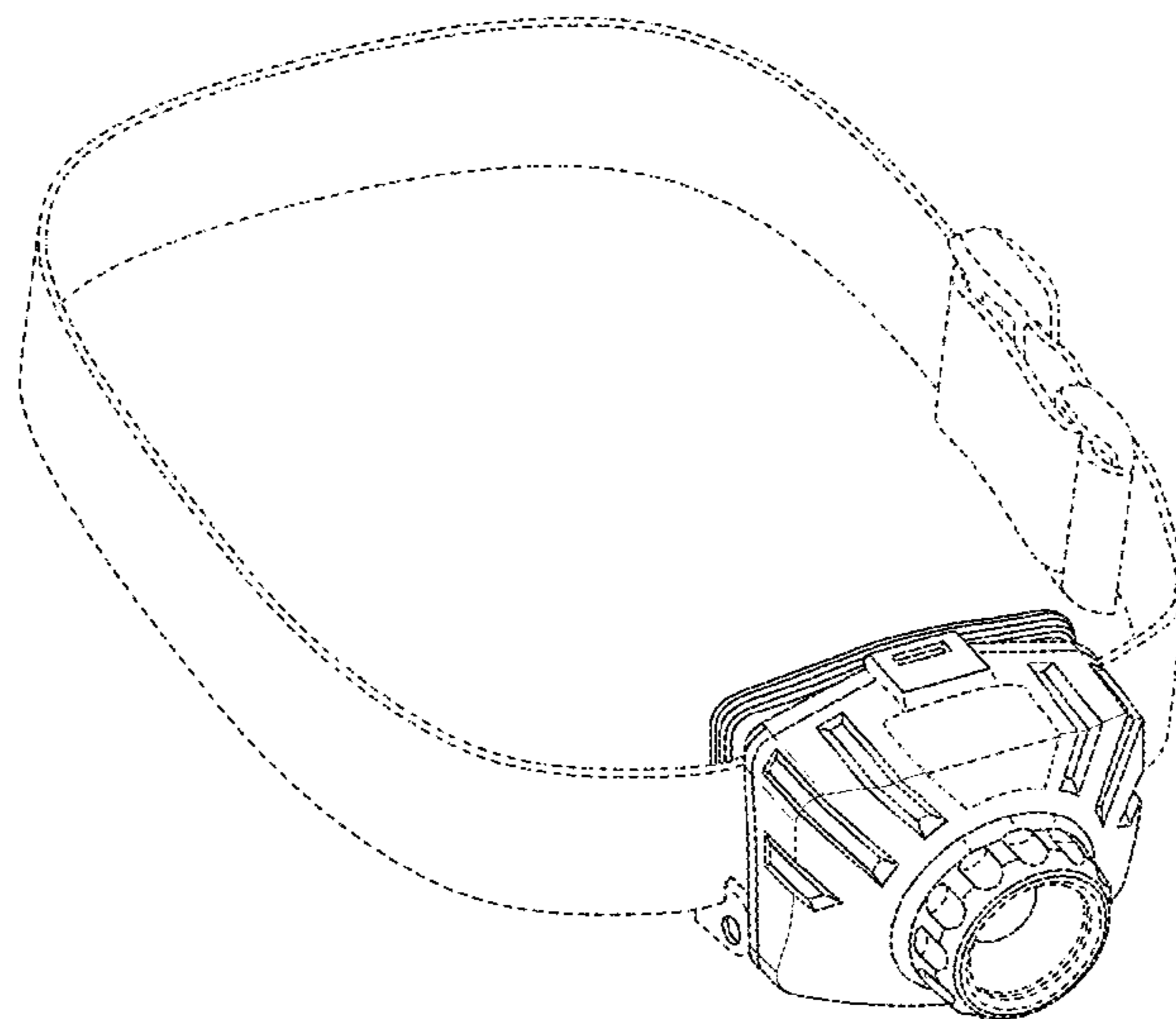
(57) **CLAIM**

We claim the ornamental design for a headlamp, as shown and described.

DESCRIPTION

FIG. 1 is a perspective view of a headlamp, showing our new design;
FIG. 2 is a front view thereof;
FIG. 3 is a back view thereof;
FIG. 4 is a right view thereof;
FIG. 5 is a left view thereof;
FIG. 6 is a top view thereof; and,
FIG. 7 is a bottom view thereof.
The dashed lines are included for illustrating portions of the headlamp which form no part of the claimed design.

1 Claim, 7 Drawing Sheets



(56)

References Cited

U.S. PATENT DOCUMENTS

D724,248 S *	3/2015	Brands	D26/39	D844,201 S *	3/2019	Khubani	D26/40
D729,297 S *	5/2015	Ikegame	D16/202	D844,868 S *	4/2019	DeBrunner	D26/39
9,068,728 B1 *	6/2015	Lee	F21V 14/085	D844,869 S *	4/2019	Green	D26/39
D747,387 S *	1/2016	Swen	D16/211	D848,042 S *	5/2019	Feng	D26/39
D750,823 S *	3/2016	Sharrah	D26/39	D848,510 S *	5/2019	Kamei	D16/218
D762,899 S *	8/2016	Green	D26/39	2003/0087423 A1 *	5/2003	Haywood	B01F 1/0033 435/270
D763,941 S *	8/2016	Smith	D16/200	2005/0128735 A1 *	6/2005	Atkins	A61B 3/12 362/105
D788,339 S *	5/2017	Koshiba	D26/39	2007/0019948 A1 *	1/2007	Terada	G03B 17/04 396/349
9,693,425 B2 *	6/2017	Feustel	F21L 4/00	2008/0316734 A1 *	12/2008	Spartano	F21L 14/00 362/105
D799,085 S *	10/2017	Huang	D26/39	2009/0208198 A1 *	8/2009	Khuntia	G03B 15/06 396/174
D809,685 S *	2/2018	Green	D26/39	2013/0258686 A1 *	10/2013	Ford	F21V 21/0885 362/396
9,885,471 B2 *	2/2018	Dirsa	A42B 3/04	2013/0301242 A1 *	11/2013	Sharrah	F21V 21/084 362/105
D812,178 S *	3/2018	Galli	D22/108	2014/0035459 A1 *	2/2014	Windom	H05B 33/0842 315/33
D813,432 S *	3/2018	Koshiba	D26/39	2014/0362561 A1 *	12/2014	Faircloth	G02C 11/04 362/103
D814,083 S *	3/2018	Green	D26/39	2016/0146443 A1 *	5/2016	Steiner	F21V 23/001 362/105
9,920,876 B2 *	3/2018	Prugue	F16M 13/022	2016/0269667 A1 *	9/2016	Ono	G03B 17/00
9,958,667 B2 *	5/2018	DiCarlo	A42B 3/042	2018/0335599 A1 *	11/2018	McCreight	G02B 7/02
D824,063 S *	7/2018	Hutchens	D26/60	2019/0127006 A1 *	5/2019	Wyers	B62J 11/00
D830,601 S *	10/2018	Petzl	D26/39				
D835,172 S *	12/2018	Fujita	D16/219				
D836,810 S *	12/2018	DeBrunner	D26/39				
D839,944 S *	2/2019	Petty	D16/218				
D843,035 S *	3/2019	Pontano	D26/39				
D843,036 S *	3/2019	Li	D26/39				
D843,037 S *	3/2019	Li	D26/39				
D843,622 S *	3/2019	Karl, IV	D26/39				

* cited by examiner

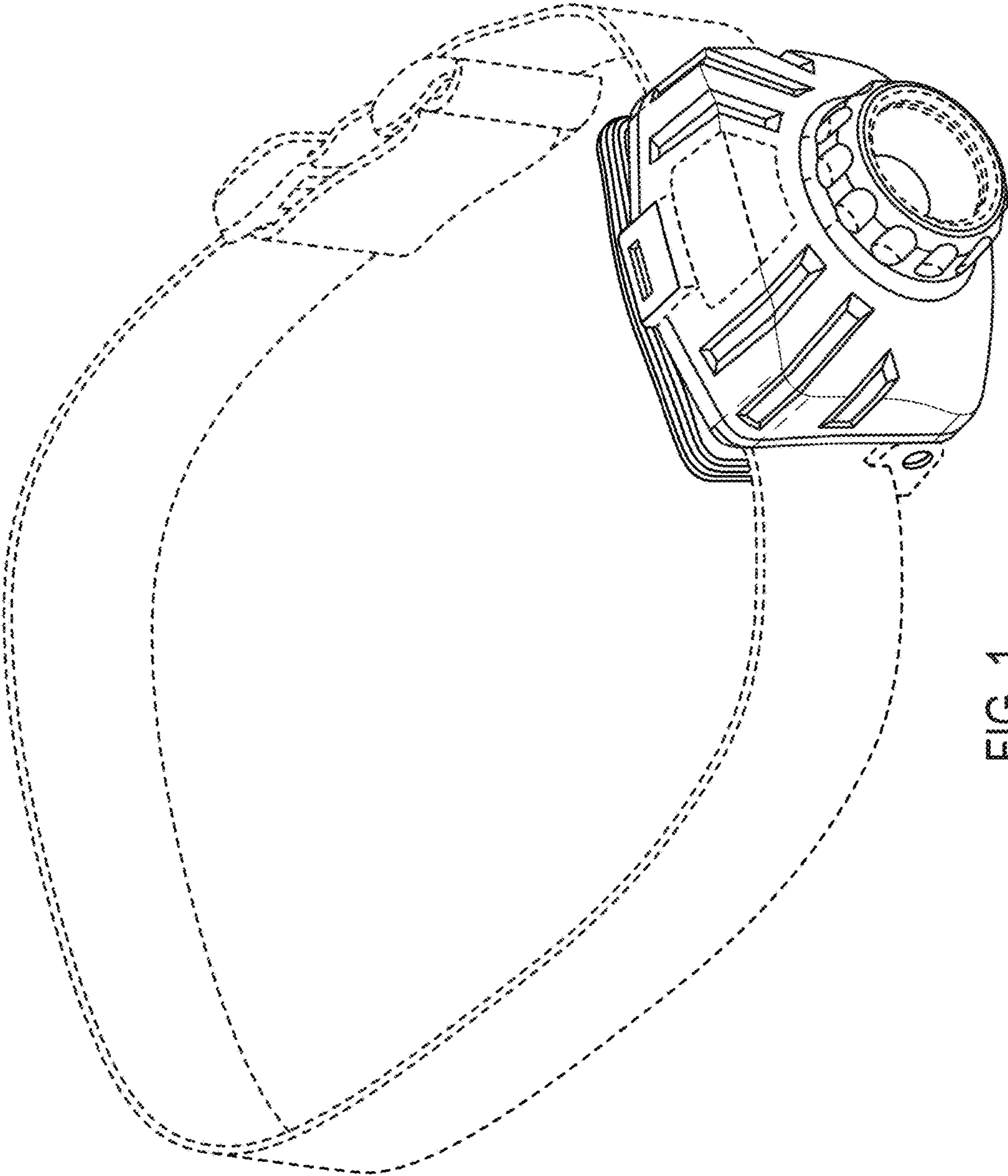


FIG. 1

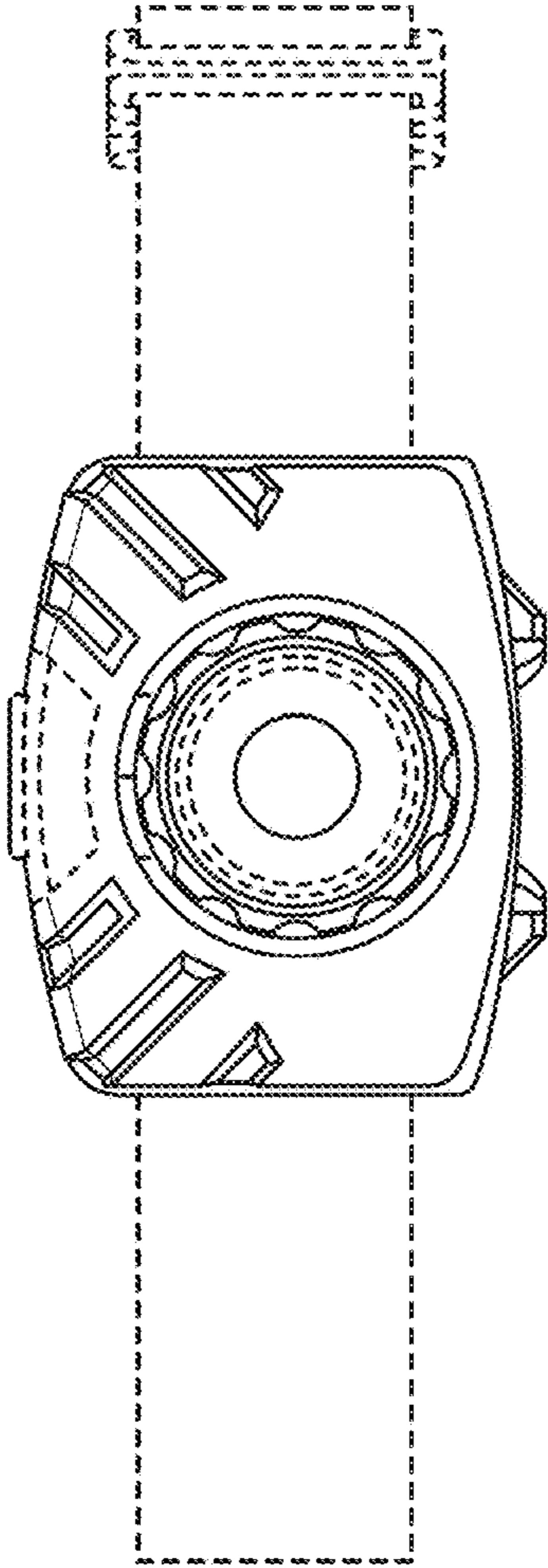


FIG. 2

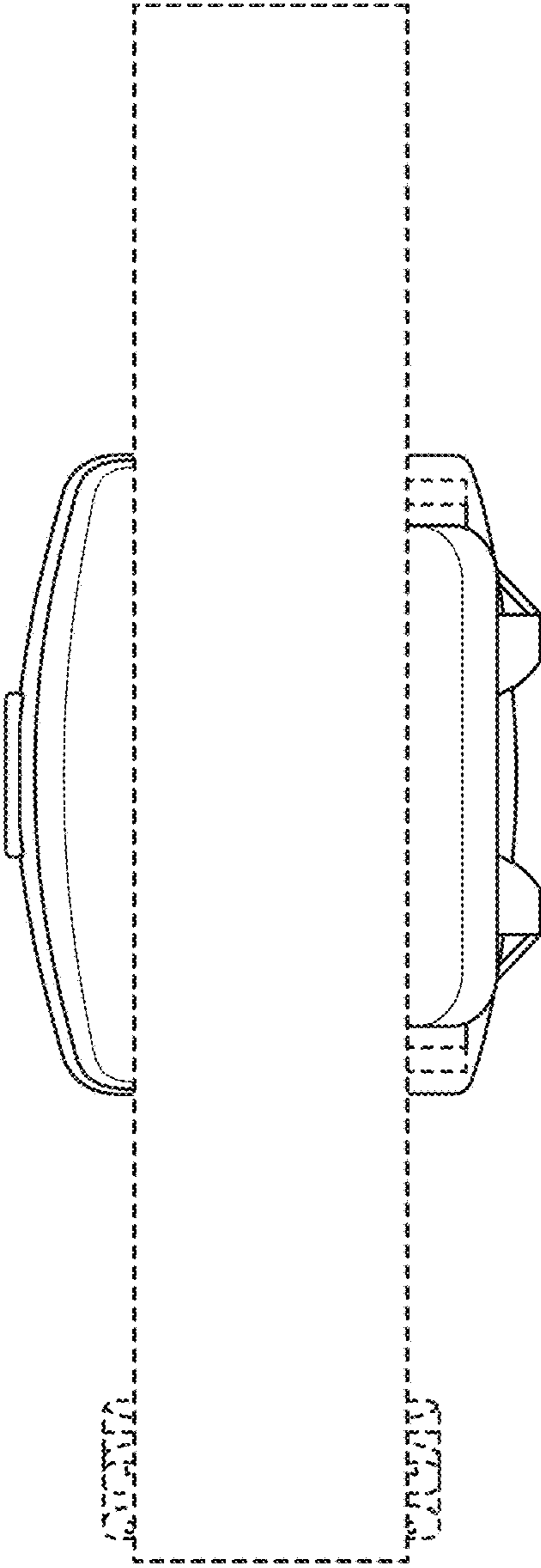


FIG. 3

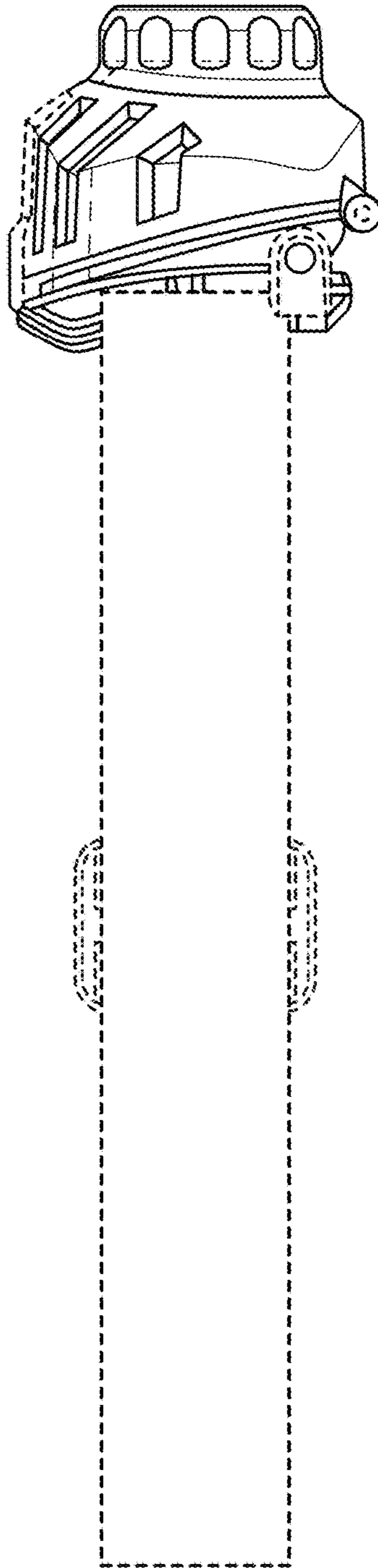


FIG. 4

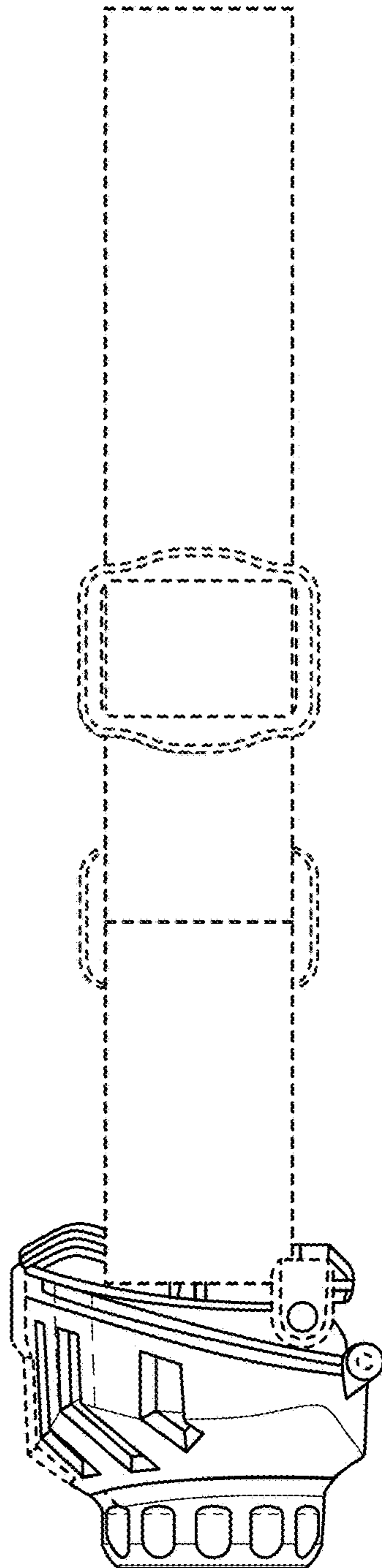


FIG. 5

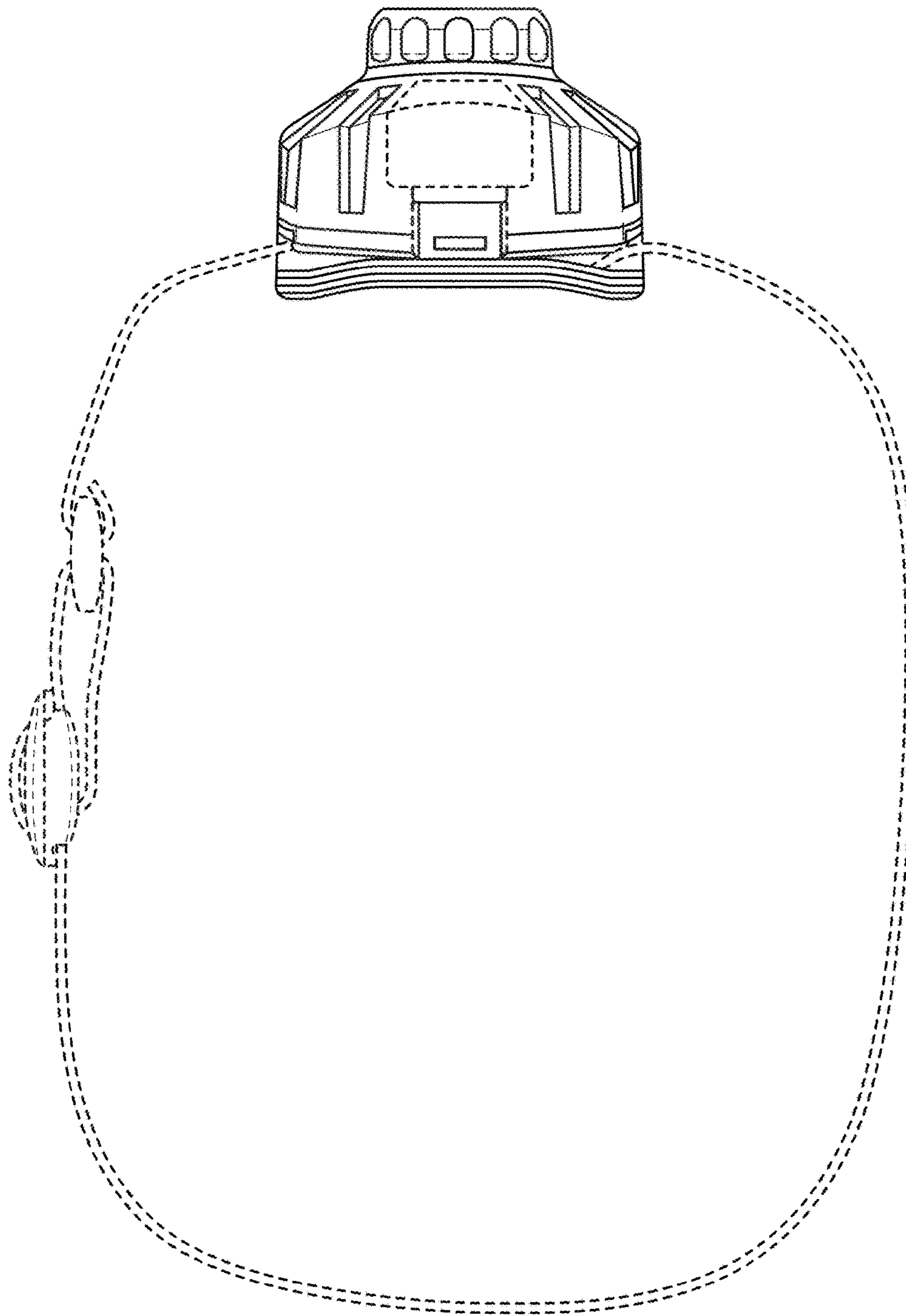


FIG. 6

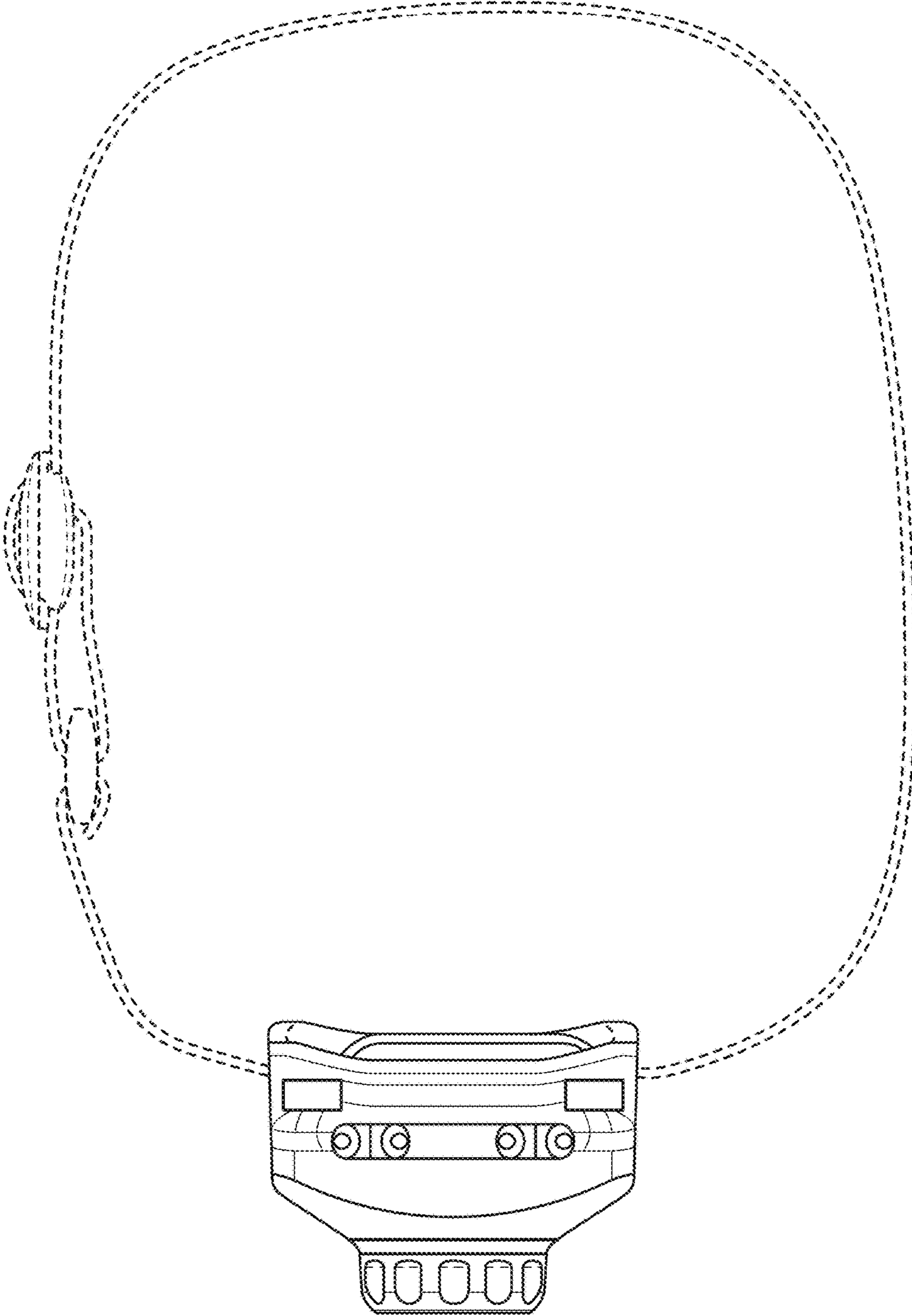


FIG. 7