



US00D861210S

(12) **United States Design Patent**
Windom et al.

(10) **Patent No.:** **US D861,210 S**

(45) **Date of Patent:** **** Sep. 24, 2019**

- (54) **RECHARGEABLE FLASHLIGHT**
- (71) Applicant: **COAST CUTLERY CO.**, Portland, OR (US)
- (72) Inventors: **Gregory David Windom**, Portland, OR (US); **Douglas R. Hutchens**, Lake Oswego, OR (US)
- (73) Assignee: **Coast Cutlery Co.**, Portland, OR (US)
- (**) Term: **15 Years**
- (21) Appl. No.: **29/634,351**
- (22) Filed: **Jan. 19, 2018**
- (51) **LOC (12) Cl.** **26-02**
- (52) **U.S. Cl.**
USPC **D26/38**
- (58) **Field of Classification Search**
USPC D26/37-51
CPC F21L 2003/00; F21L 4/00; F21L 4/005; F21L 4/02; F21L 4/025; F21L 4/027; F21L 4/04; F21L 4/08; F21L 2005/00; F21L 7/00; F21L 11/00; F21L 13/00; F21L 13/04; F21L 13/08; F21L 14/02; F21L 17/00; F21L 19/00; F21L 25/00
See application file for complete search history.

(56) **References Cited**

U.S. PATENT DOCUMENTS

D307,488 S *	4/1990	Sharrah	D26/49
D348,112 S *	6/1994	Maglica	D26/49
D534,673 S *	1/2007	Muszynski	D26/49
D542,448 S *	5/2007	Wang	D26/49
D544,622 S *	6/2007	Cheng	D26/46
D639,476 S *	6/2011	Robinson	D26/49

D690,383 S *	9/2013	Sheikh	D22/117
D747,024 S *	1/2016	Windom	D26/49
D772,455 S *	11/2016	Ma	D26/38
D776,848 S *	1/2017	Eastman, II	D26/113
D792,625 S *	7/2017	Koshiba	D26/49
D799,084 S *	10/2017	Wu	D26/38
D799,087 S *	10/2017	Koshiba	D26/49
D799,089 S *	10/2017	Green	D26/49
D810,978 S *	2/2018	Windom	D26/38
D817,528 S *	5/2018	Wu	D26/38
D823,509 S *	7/2018	Kunzendorf	D26/49
D823,510 S *	7/2018	Kunzendorf	D26/49
D827,894 S *	9/2018	Huang	D26/49
D838,396 S *	1/2019	Lehovetzki	D26/49

* cited by examiner

Primary Examiner — Lakiya G Rogers

Assistant Examiner — Carissa C Fitts

(74) *Attorney, Agent, or Firm* — Schwabe Williamson & Wyatt, P.C.

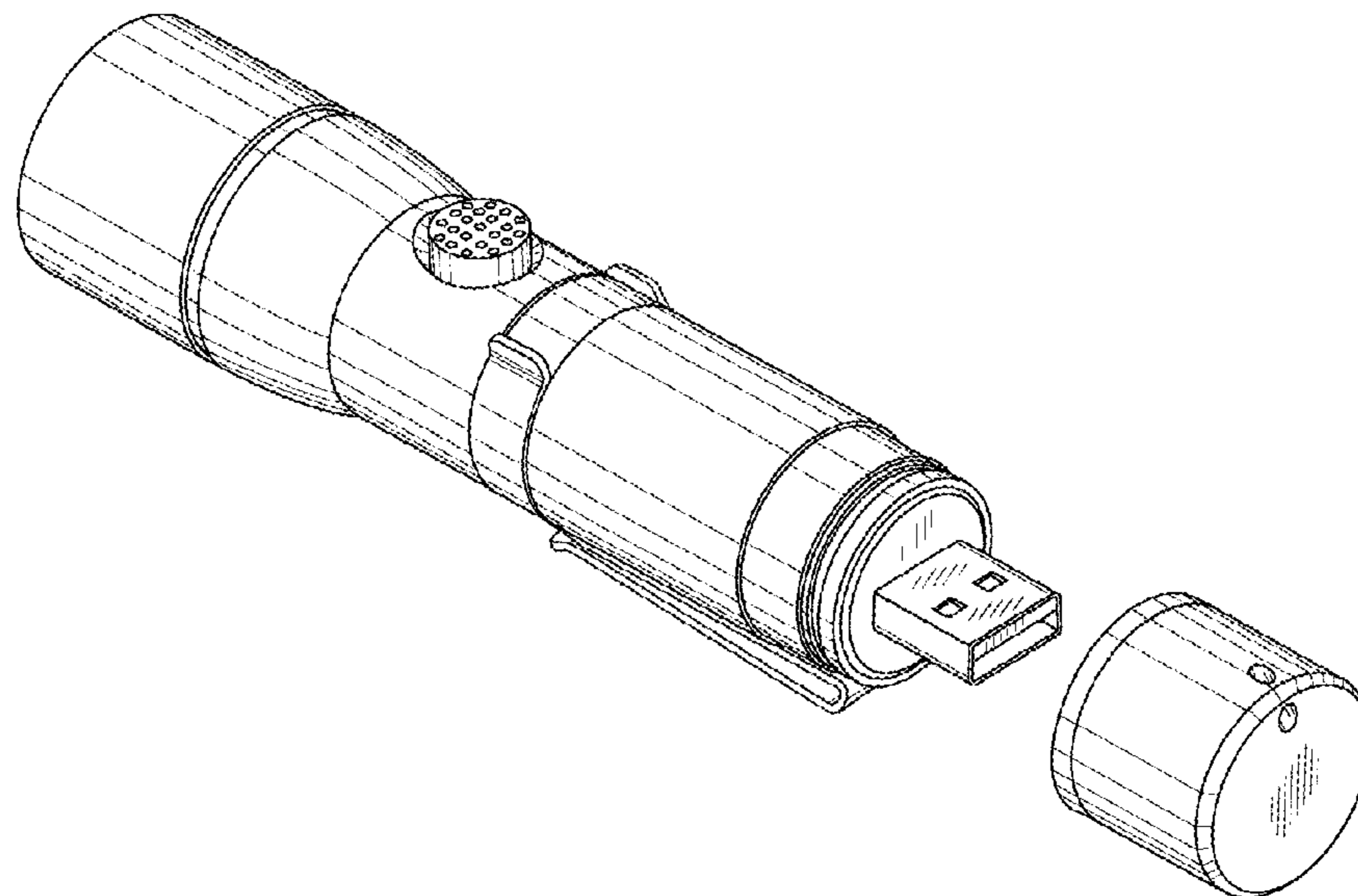
(57) **CLAIM**

We claim the ornamental design for a rechargeable flashlight, as shown and described.

DESCRIPTION

FIG. 1 is a rear perspective view of a rechargeable flashlight, with the rear cap on, showing our new design;
 FIG. 2 is a rear perspective view thereof, with the rear cap off;
 FIG. 3 is a front perspective view thereof, with the rear cap off;
 FIG. 4 is a top plan view thereof;
 FIG. 5 is a side elevation view thereof;
 FIG. 6 is a bottom elevation view thereof;
 FIG. 7 is an end elevation view thereof; and,
 FIG. 8 is an opposite end elevation view thereof.

1 Claim, 2 Drawing Sheets



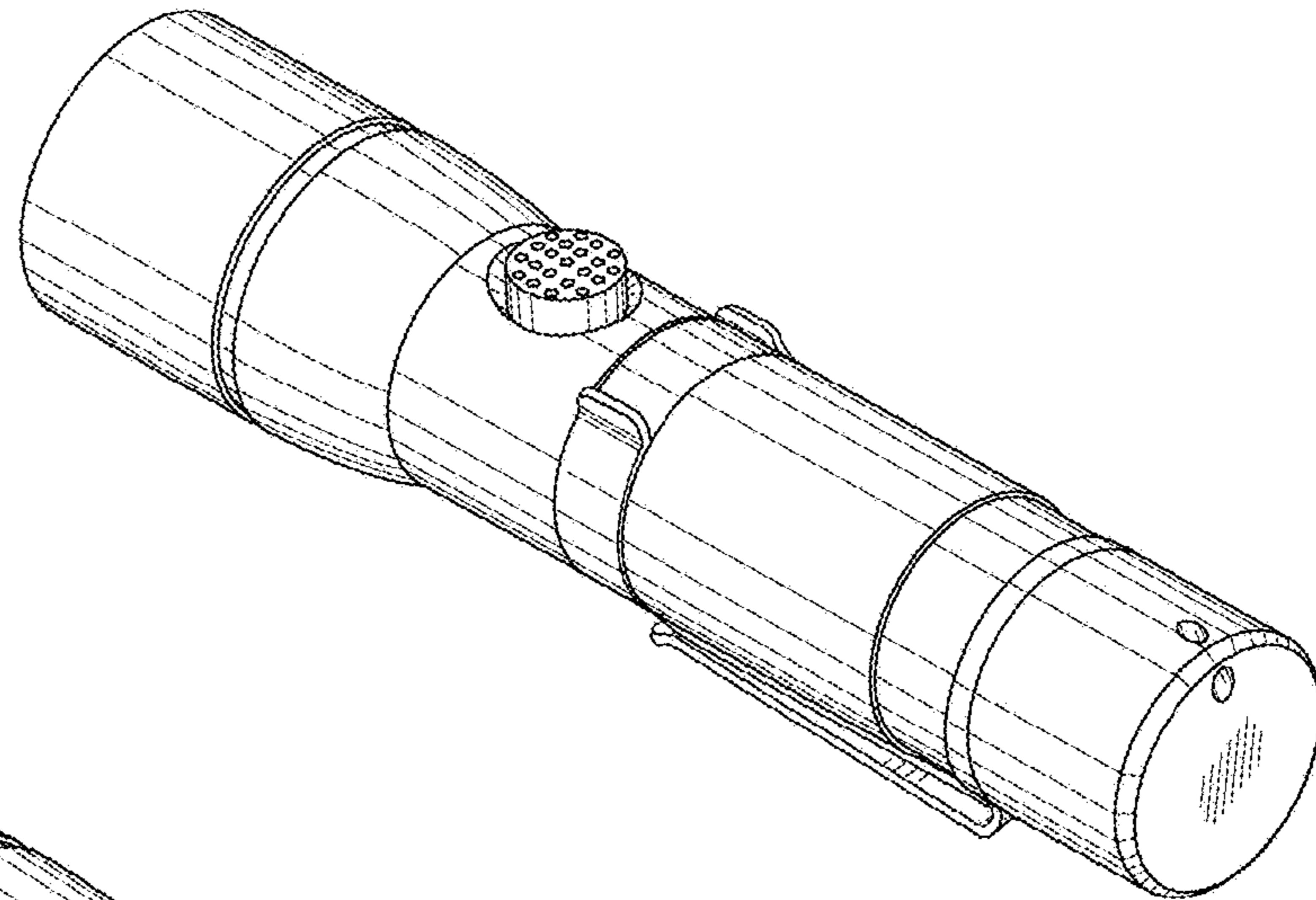


FIG. 1

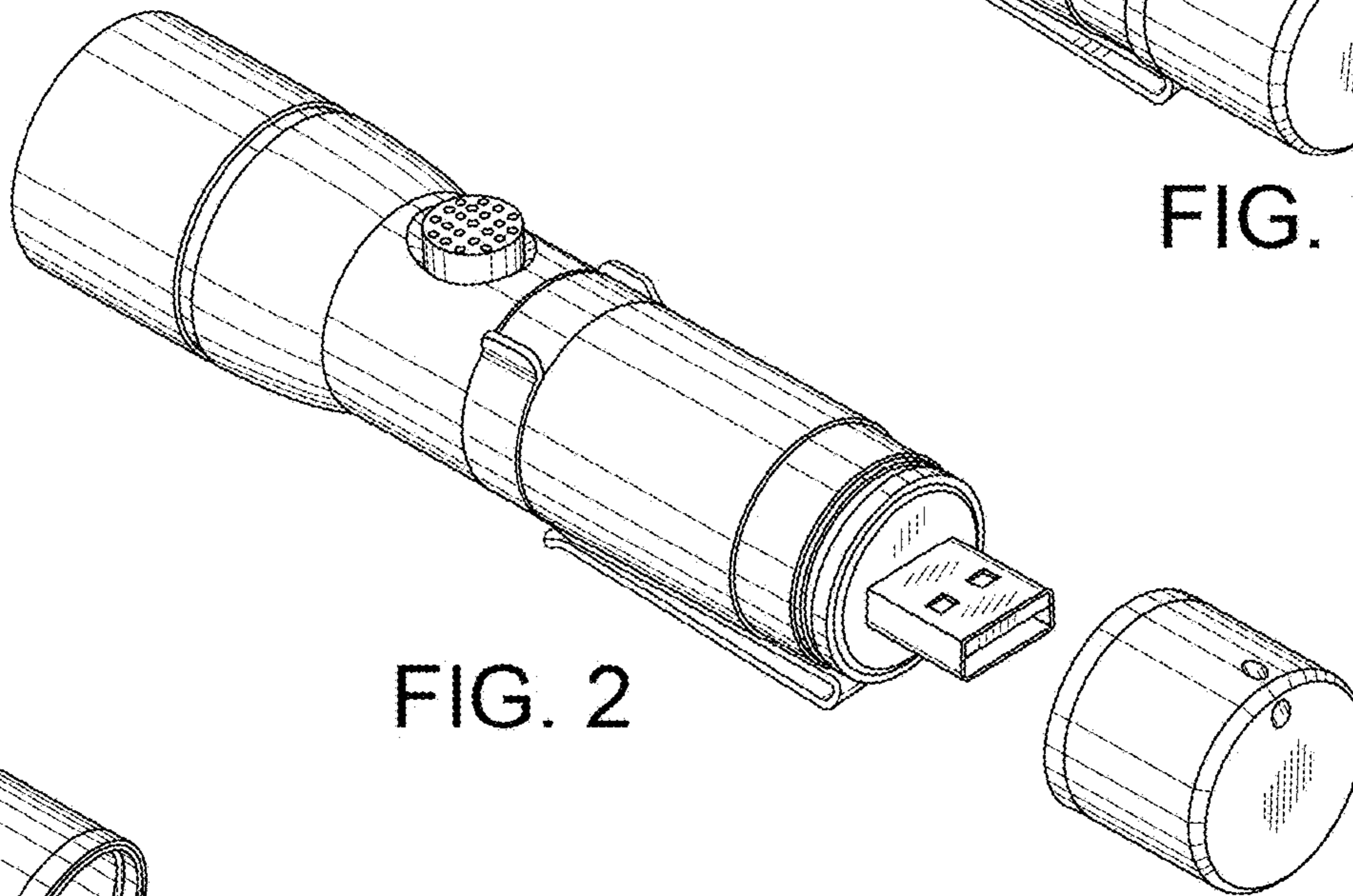


FIG. 2

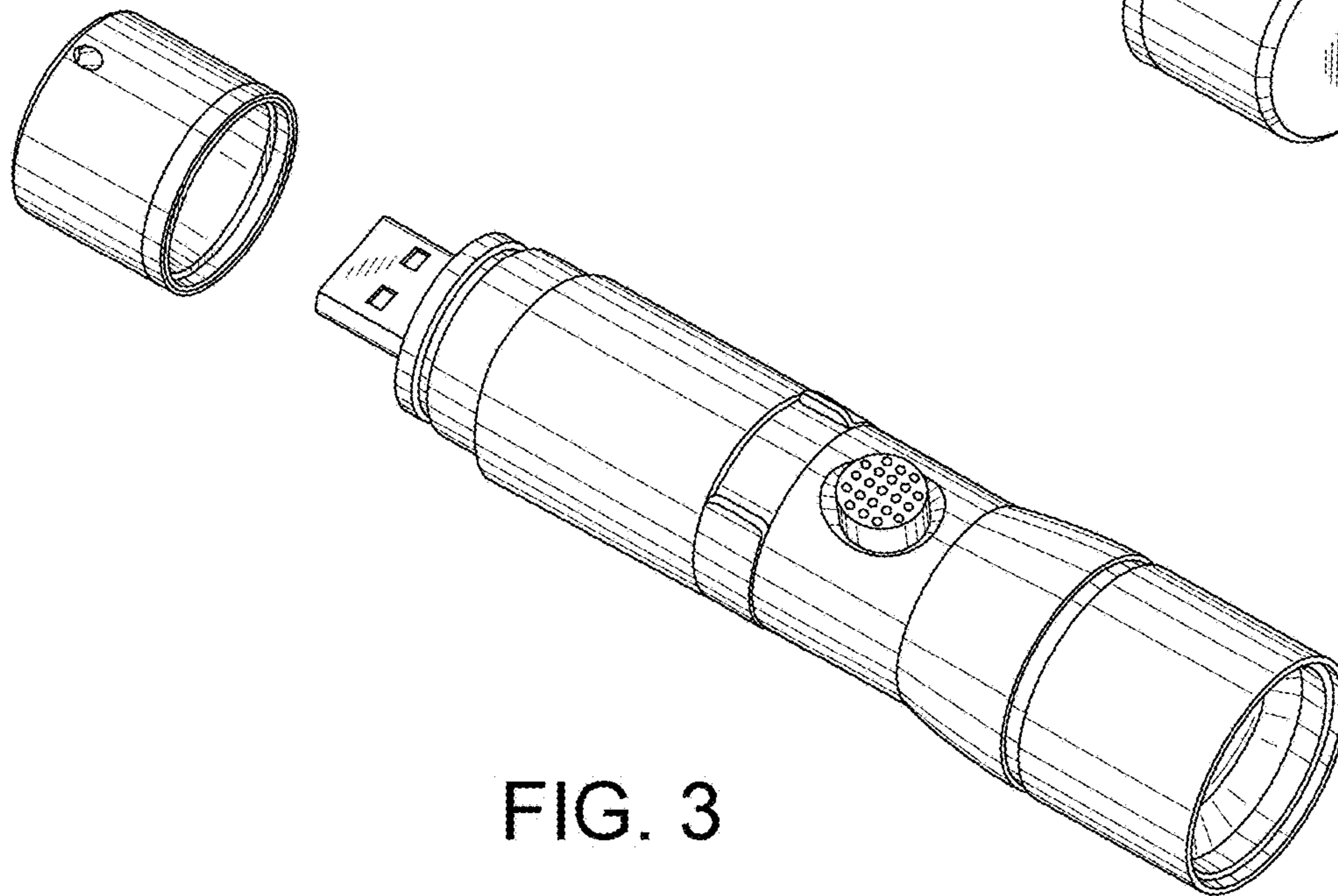


FIG. 3

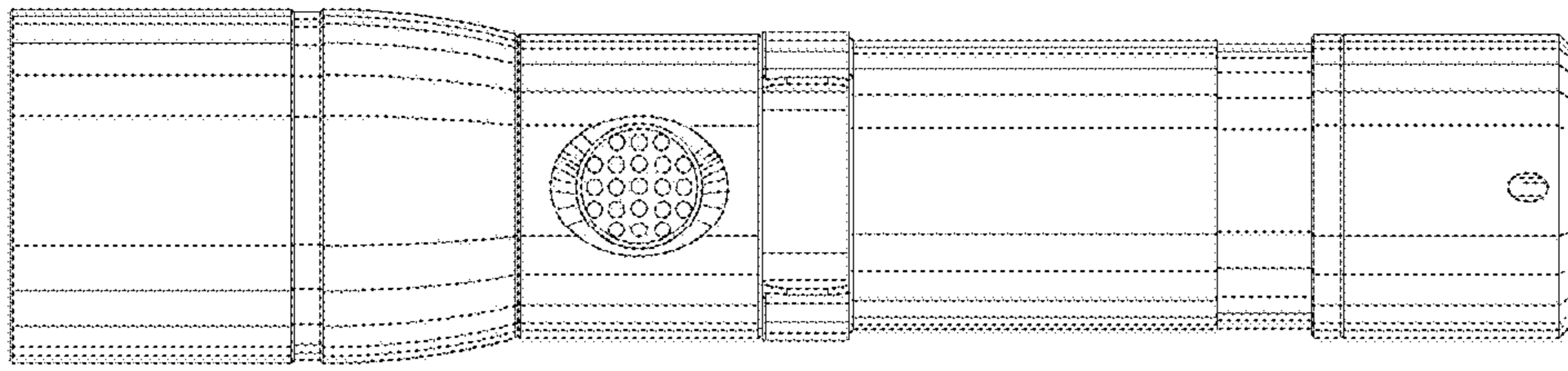


FIG. 4

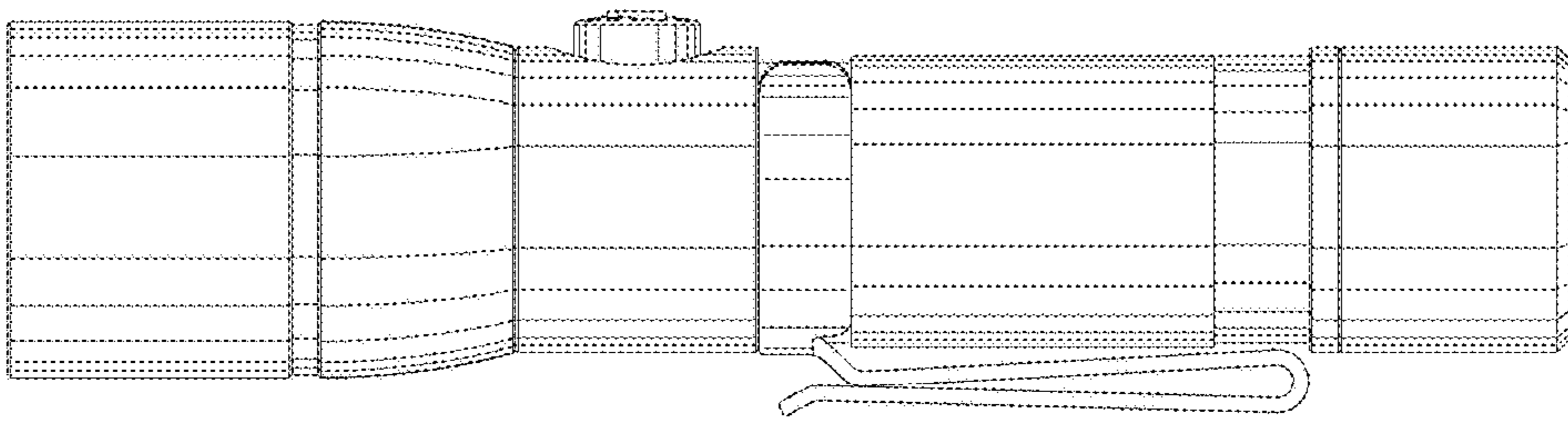


FIG. 5

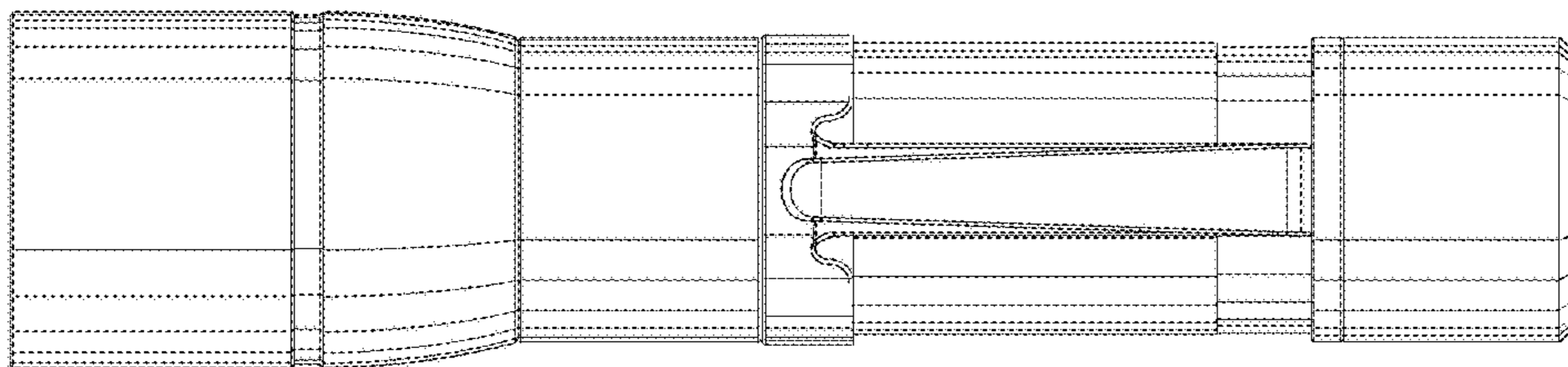


FIG. 6

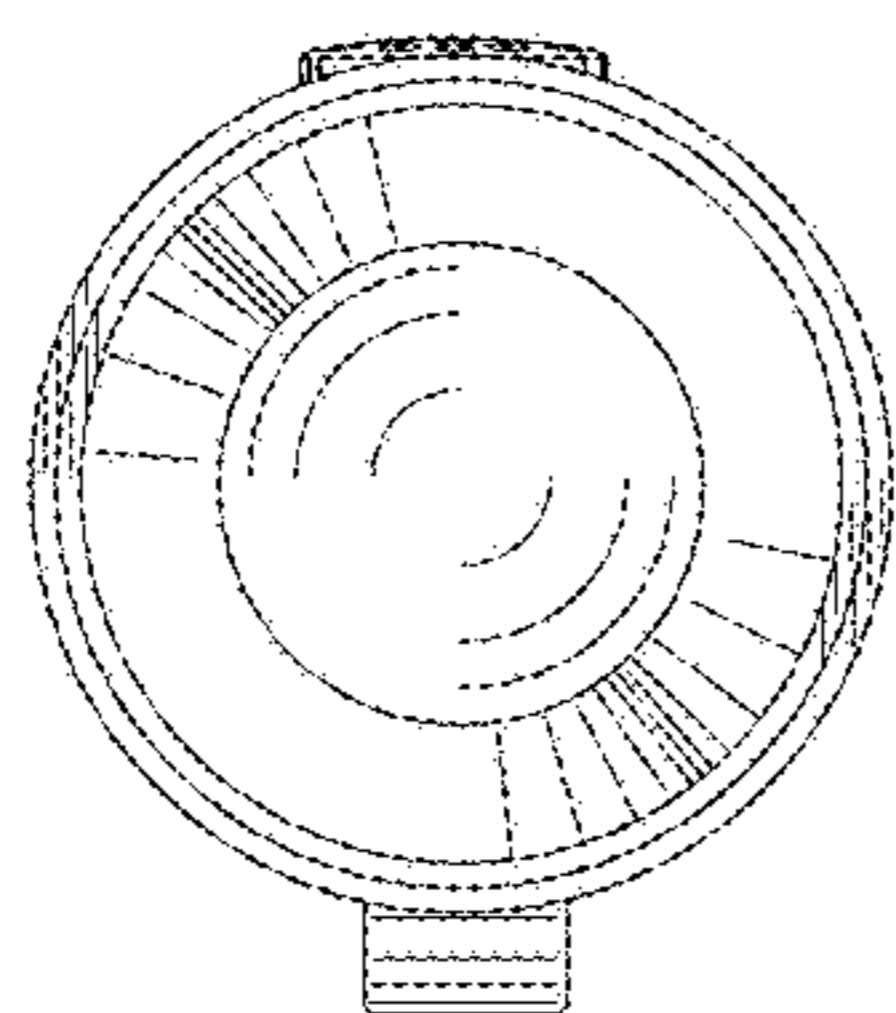


FIG. 7

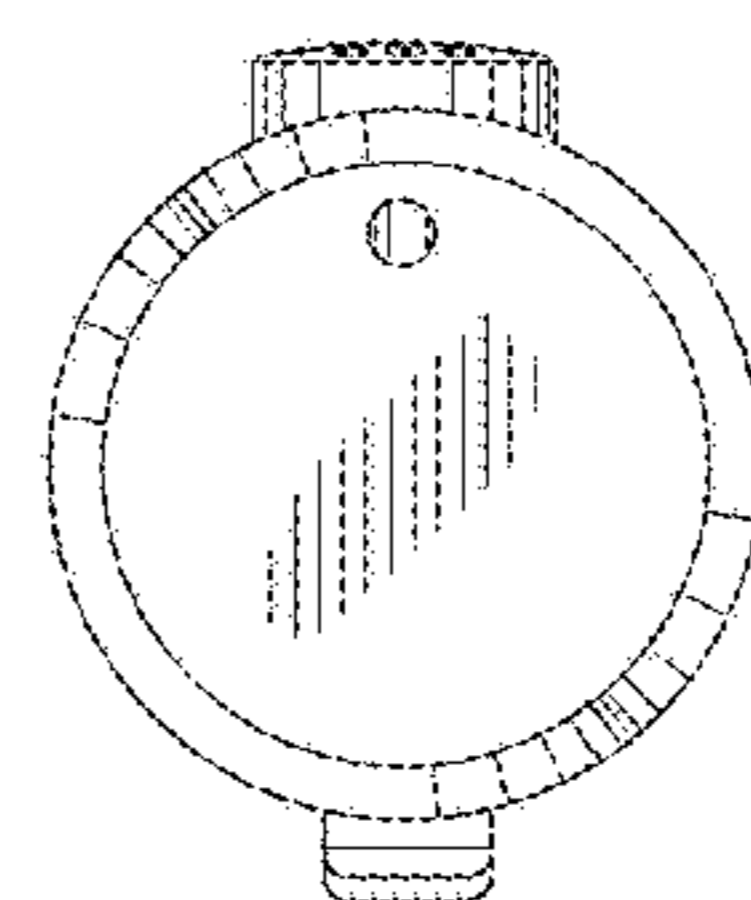


FIG. 8