



US00D861209S

(12) **United States Design Patent**
Cooper

(10) **Patent No.:** **US D861,209 S**

(45) **Date of Patent:** **** Sep. 24, 2019**

(54) **LIGHT**

(71) Applicant: **WILMAR CORPORATION**, Renton,
WA (US)

(72) Inventor: **David Cooper**, Renton, TX (US)

(73) Assignee: **Wilmar Corporation**, Renton, WA
(US)

(**) Term: **15 Years**

(21) Appl. No.: **29/635,561**

(22) Filed: **Jan. 31, 2018**

Related U.S. Application Data

(63) Continuation of application No. 29/515,521, filed on
Jan. 23, 2015, now abandoned.

(51) **LOC (12) Cl.** **26-02**

(52) **U.S. Cl.**
USPC **D26/37**

(58) **Field of Classification Search**

USPC D26/37-51
CPC F21L 2003/00; F21L 4/00; F21L 4/005;
F21L 4/02; F21L 4/025; F21L 4/027;
F21L 4/04; F21L 4/08; F21L 2005/00;
F21L 7/00; F21L 11/00; F21L 13/00;
F21L 13/04; F21L 13/08; F21L 14/02;
F21L 17/00; F21L 19/00; F21L 25/00

See application file for complete search history.

(56) **References Cited**

U.S. PATENT DOCUMENTS

D351,479 S 10/1994 Meyer
D357,087 S 4/1995 Young
D477,432 S 7/2003 Parsons
D514,241 S 1/2006 Franks
D525,536 S * 7/2006 Chan D10/2
D535,416 S 1/2007 O'Dell
D542,453 S 5/2007 Osiecki

D553,276 S 10/2007 Campbell
D553,771 S 10/2007 Watson
D556,926 S 12/2007 Thirouin
D588,291 S 3/2009 VanderWoude

(Continued)

OTHER PUBLICATIONS

2 in 1 LED Work light—Silver, Item No. W2367, retrieved on Apr.
7, 2017 at <http://www.wilmarcorp.com/item.aspx?iid=8568>.

(Continued)

Primary Examiner — Lakiya G Rogers

Assistant Examiner — Carissa C Fitts

(74) *Attorney, Agent, or Firm* — Marc Baumgartner;
Baumgartner Patent Law

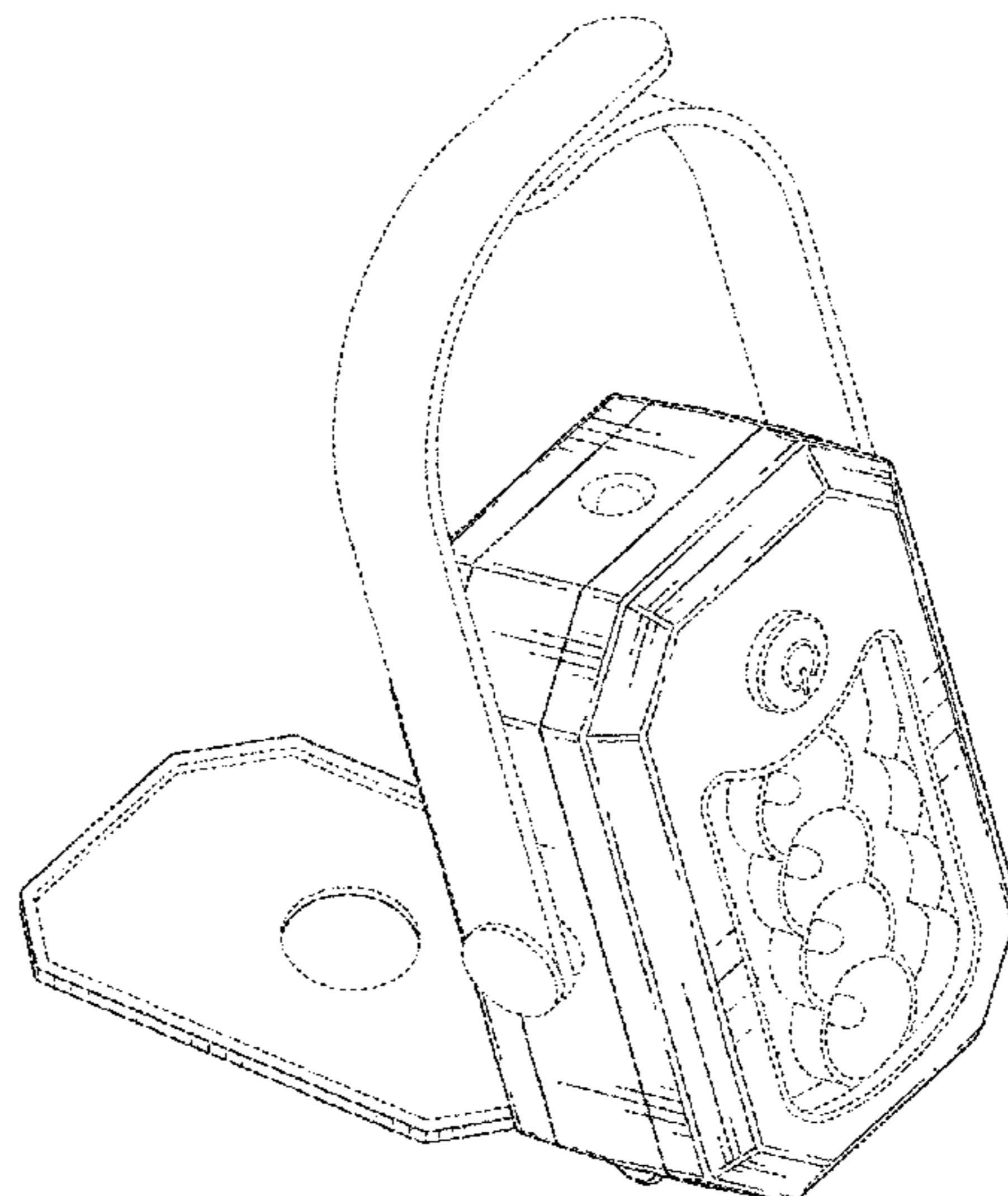
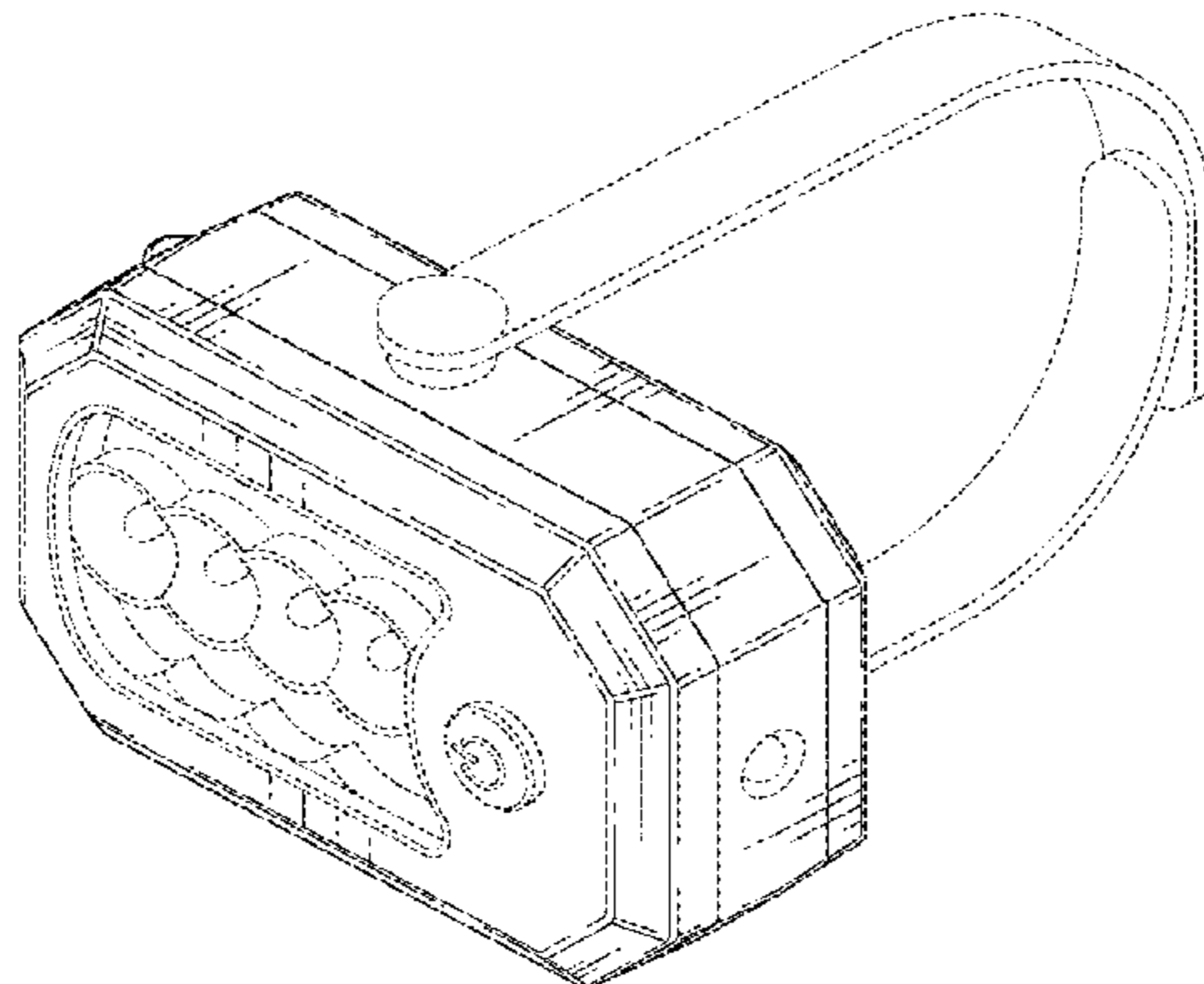
(57) **CLAIM**

The ornamental design for a light, as shown and described.

DESCRIPTION

FIG. 1 is a perspective view first embodiment of a light
embodying my new design;
FIG. 2 is a front view of the light of FIG. 1;
FIG. 3 is a back view of the light of FIG. 1;
FIG. 4 is a bottom view of the light of FIG. 1;
FIG. 5 is a top view of the light of FIG. 1;
FIG. 6 is a first side view of the light of FIG. 1;
FIG. 7 is a second side view of the light of FIG. 1;
FIG. 8 is a perspective view of a second embodiment of a
light embodying my new design;
FIG. 9 is a front view of the light of FIG. 8;
FIG. 10 is a back view of the light of FIG. 8;
FIG. 11 is a top view of the light of FIG. 8;
FIG. 12 is a bottom view of the light of FIG. 8;
FIG. 13 is a first side view of the light of FIG. 8; and,
FIG. 14 is a second side view of the light of FIG. 8.
The broken lines show portions of the article not claimed
and form no part of the claimed design.

1 Claim, 11 Drawing Sheets



(56)

References Cited

U.S. PATENT DOCUMENTS

D603,997 S 11/2009 Shiu
 D631,178 S * 1/2011 Kovacik D26/38
 D639,469 S 6/2011 Zhuang
 D643,138 S 8/2011 Kawase
 D648,054 S * 11/2011 Zhuang D26/37
 D650,933 S * 12/2011 Cheng D26/37
 D651,731 S 1/2012 Xu
 D659,867 S * 5/2012 Zhan D16/239
 D695,434 S 12/2013 Shen
 D699,378 S * 2/2014 DiLuciano D26/37
 D699,779 S * 2/2014 Zhan D16/239
 8,708,519 B2 * 4/2014 Kovacik F21L 14/023
 362/235
 D704,021 S * 5/2014 Rubin D8/85
 D729,425 S 5/2015 Wright
 D733,950 S * 7/2015 Wu D26/37
 D737,491 S 8/2015 Shen
 D738,022 S 9/2015 Shen
 D743,072 S 11/2015 Cooper
 D753,855 S * 4/2016 Cacciabeve D26/37
 D756,014 S 5/2016 Bao
 D757,971 S * 5/2016 Kovacik D26/37
 D757,973 S * 5/2016 Zhang D26/44
 D759,867 S * 6/2016 Grandadam D26/37

D764,087 S * 8/2016 Workman D26/37
 D768,897 S 10/2016 Cooper
 D777,362 S * 1/2017 Killion D26/46
 D778,476 S * 2/2017 Bao D26/65
 D799,095 S * 10/2017 Bao D26/65
 D803,440 S * 11/2017 Tompkin D26/37
 D805,666 S * 12/2017 Nguyen D26/37
 D806,294 S * 12/2017 Nguyen D26/37
 9,951,930 B2 * 4/2018 Cacciabeve F21V 15/04
 2005/0018421 A1 * 1/2005 Parsons A44B 15/005
 362/196

OTHER PUBLICATIONS

S-1300 image retrieved on Apr. 7, 2017 at <http://i.ebayimg.com/images/g/Z6MAAOxyhotSMYzP/s-I300.jpg>.
 361-500_HR_0 image retrieved on Apr. 7, 2017 at http://www.parts-express.com/Data/Default/Images/Catalog/Original/361-500_HR_0.jpg.
 Eb3293-car-camping-hook-hanging-24-led-magnetic image retrieved on Apr. 7, 2017 at <http://www.dhresource.com/0x0s/f2-albu-g2-M00-42-99-rBVaGIXk49CAfjosAAGPkMJy2oY731.jpg/eb3293-car-camping-hook-hanging-24-led-magnetic.jpg>.
 velcro-cable-tidy-big image retrieved on Apr. 7, 2017 at <http://www.4-max.co.uk/photos/misc/velcro-cable-tidy-big.jpg>.

* cited by examiner

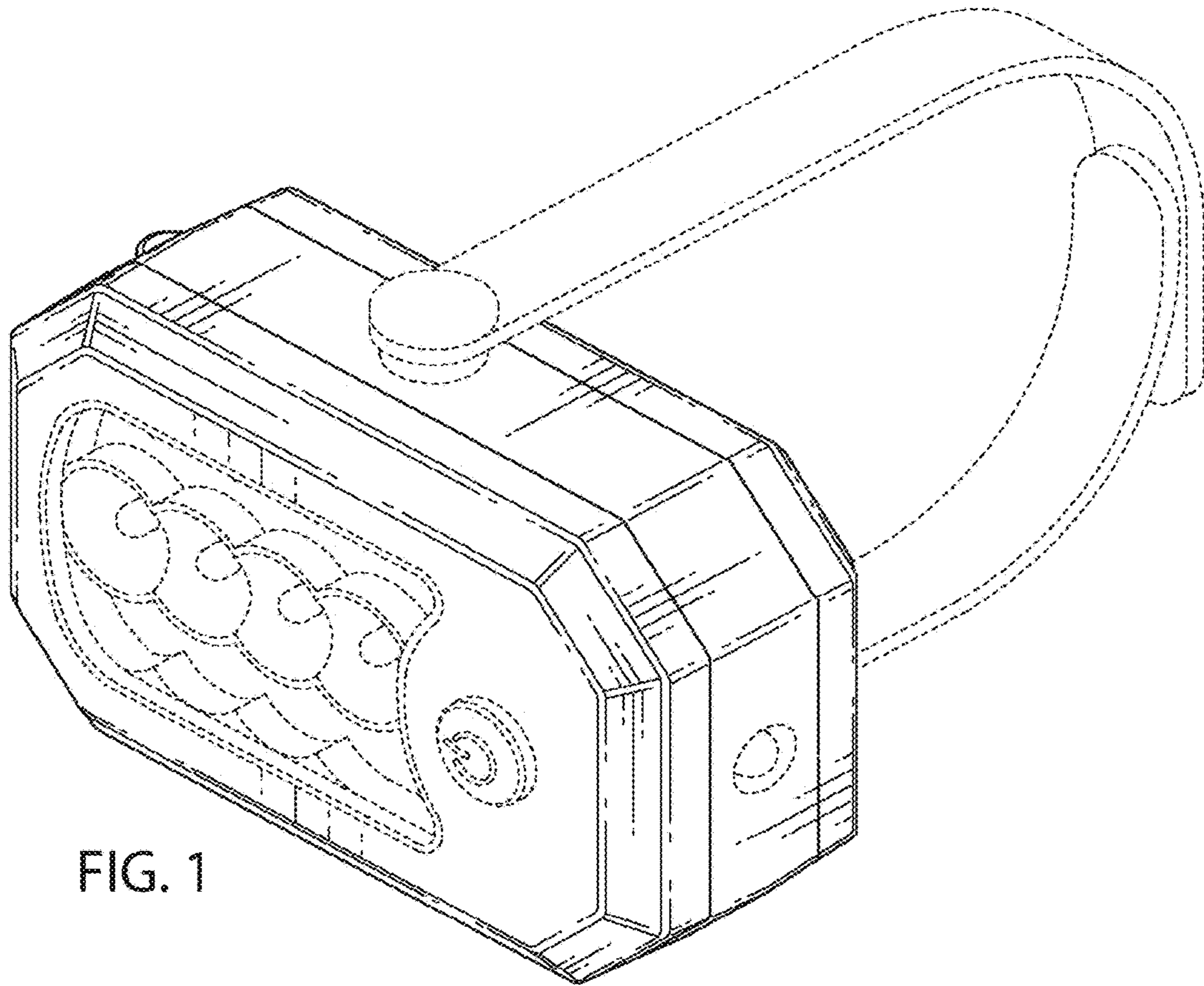


FIG. 1

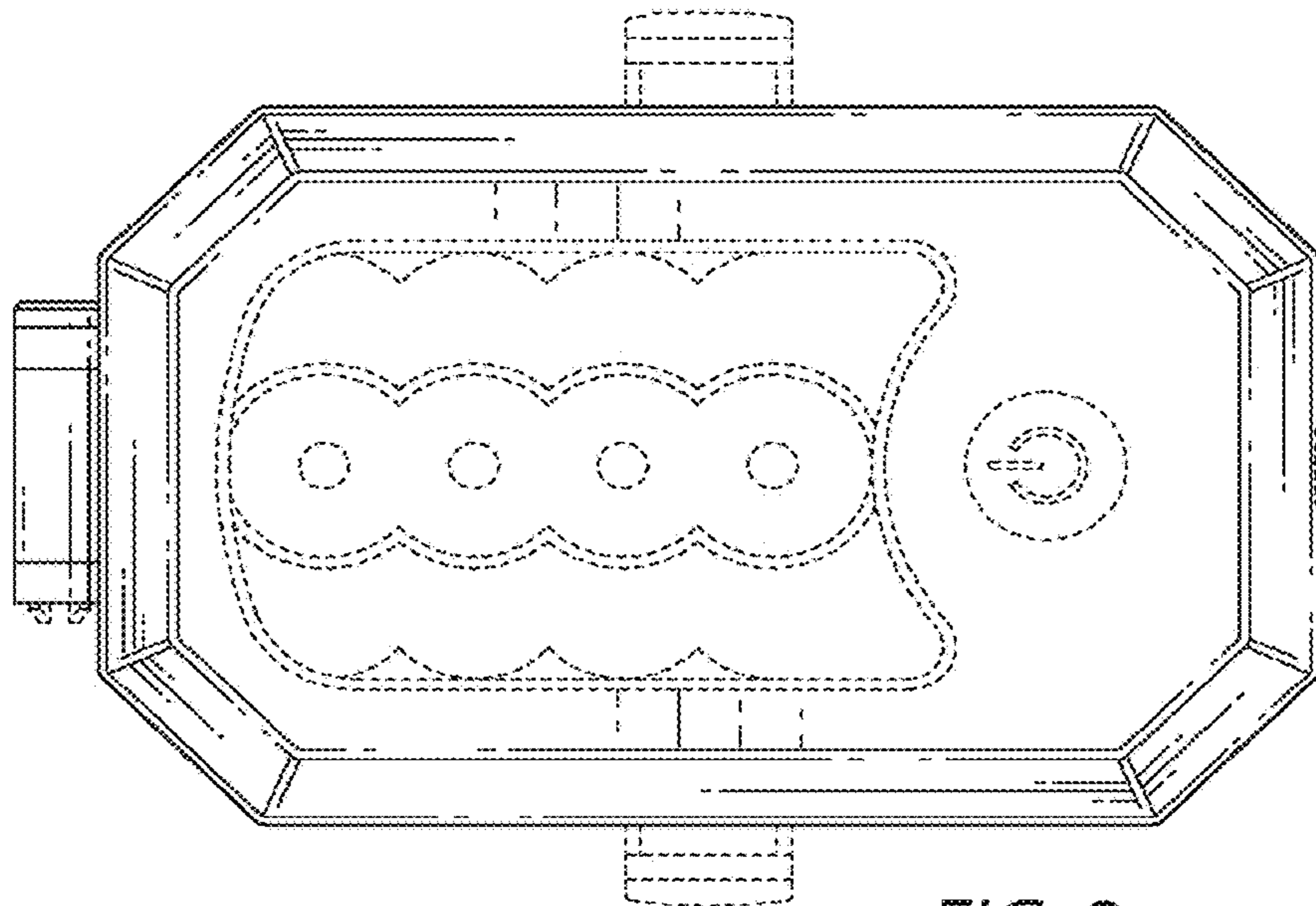


FIG. 2

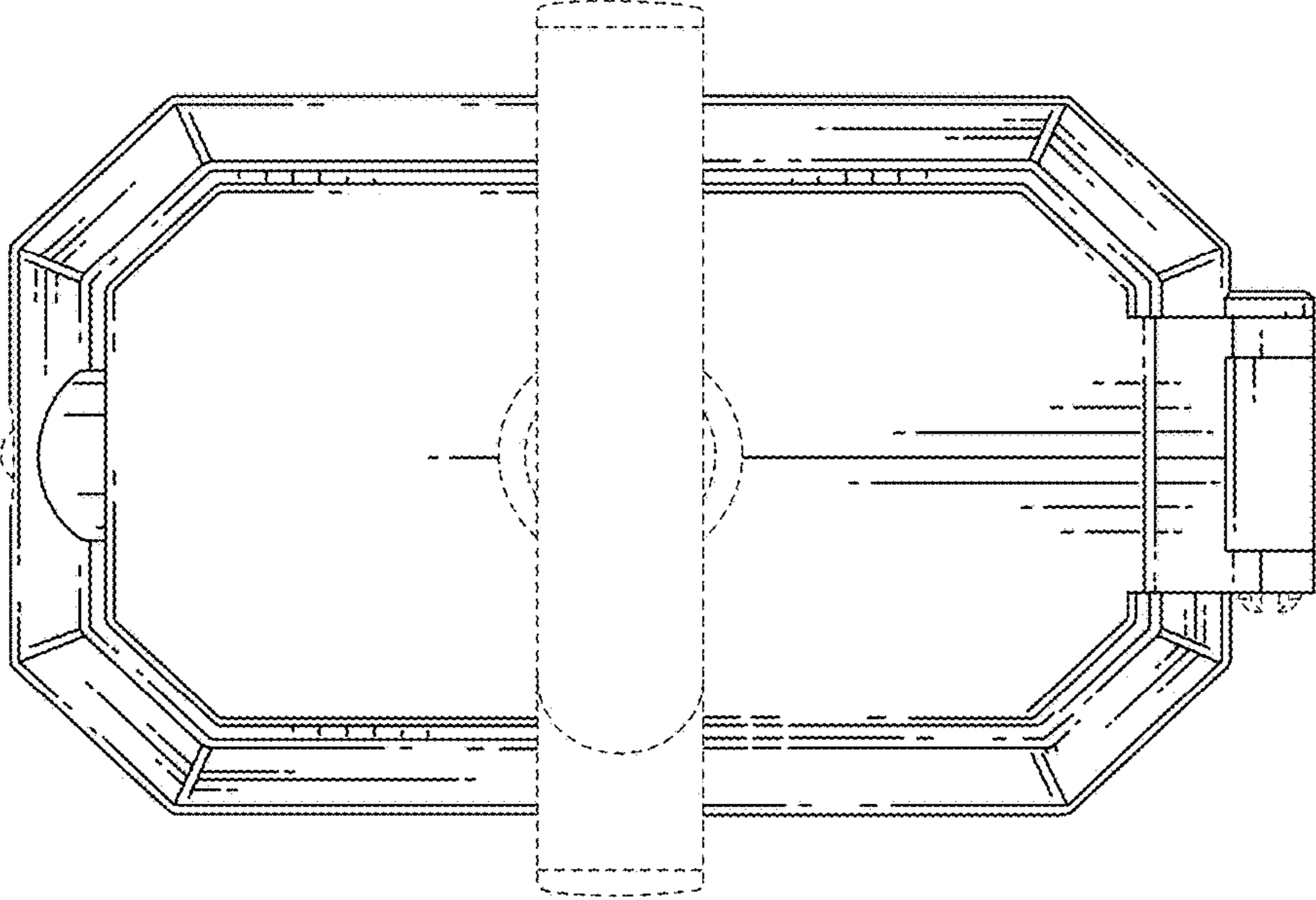


FIG. 3

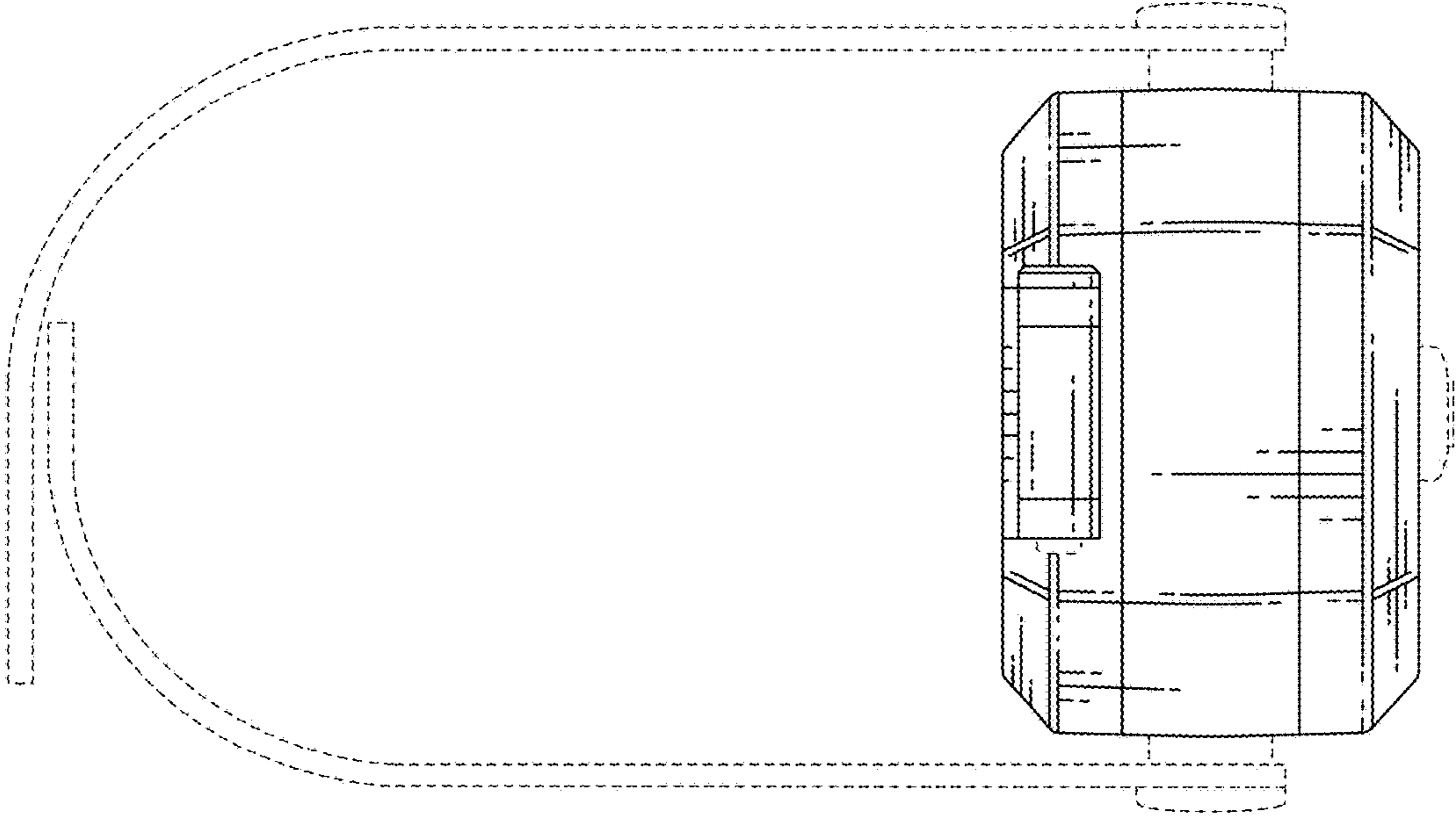


FIG. 4

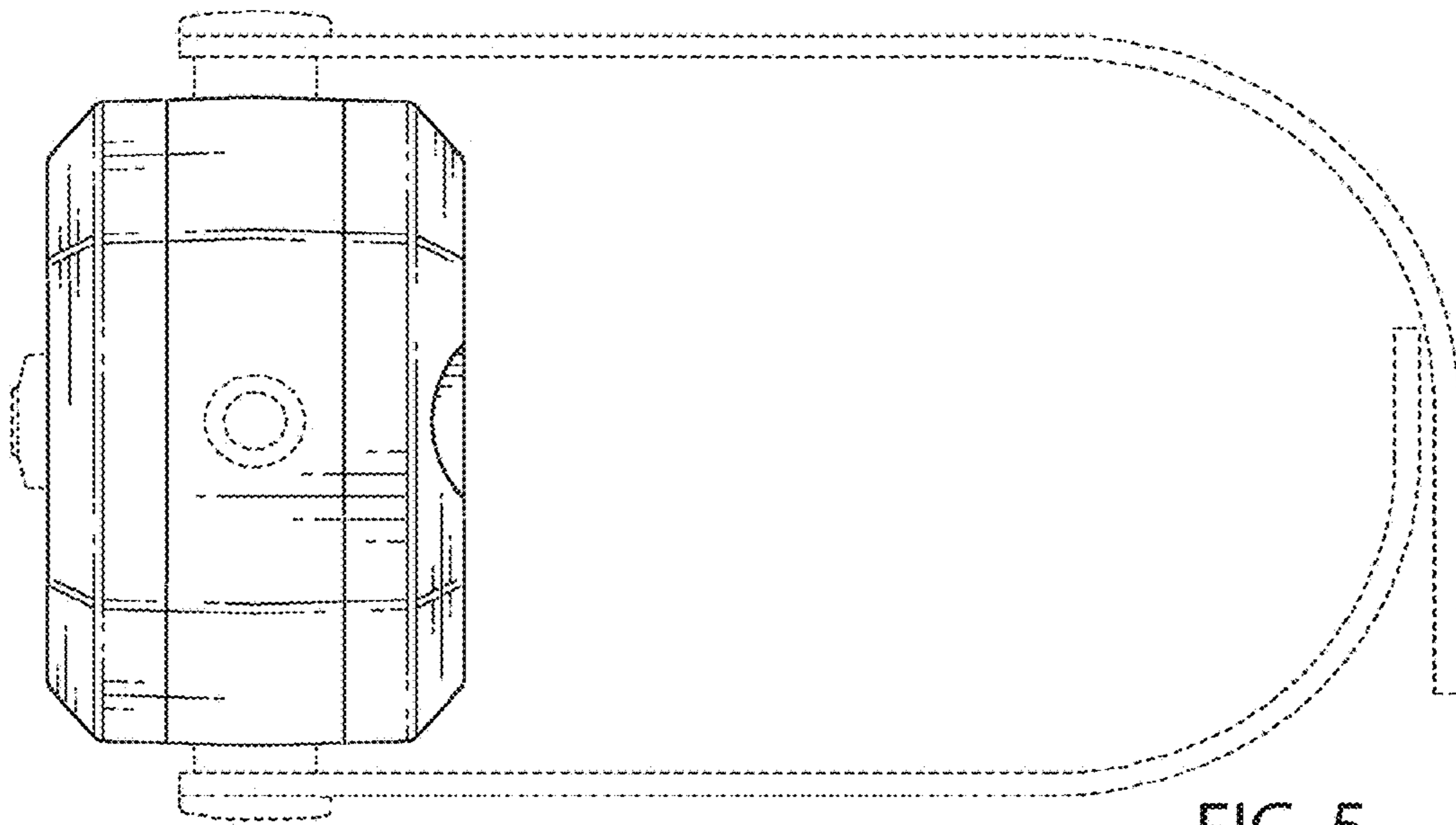


FIG. 5

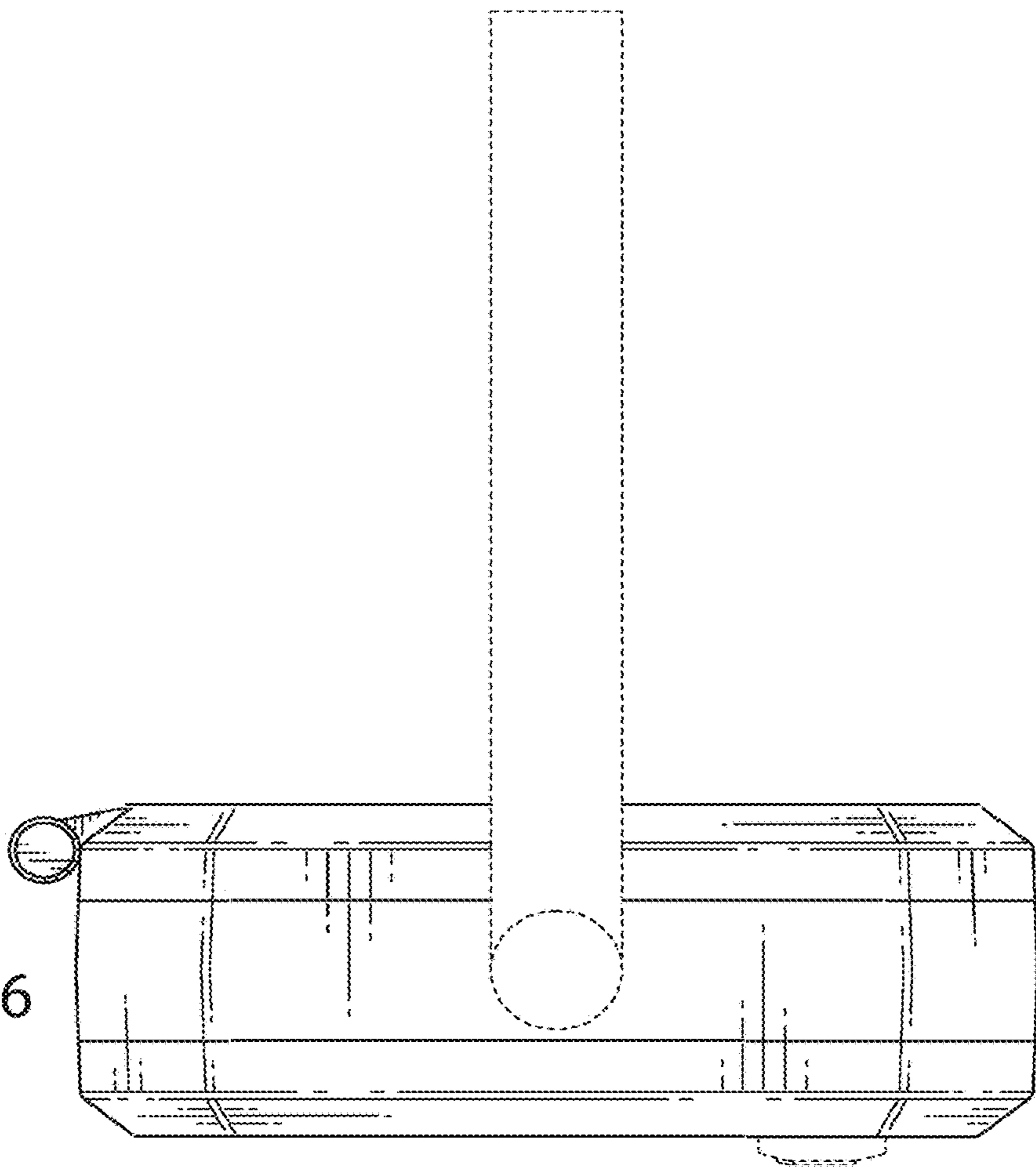


FIG. 6

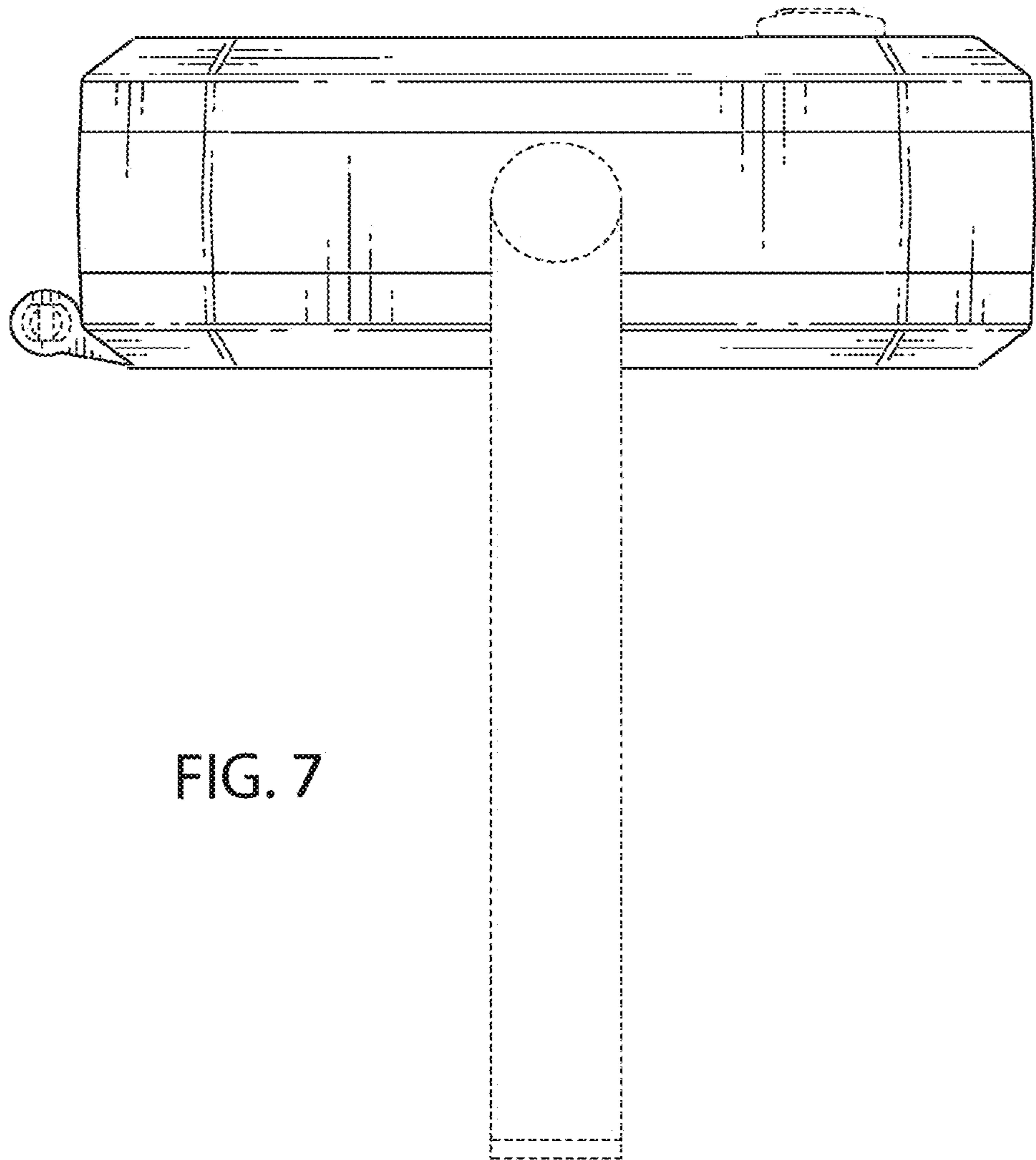


FIG. 7

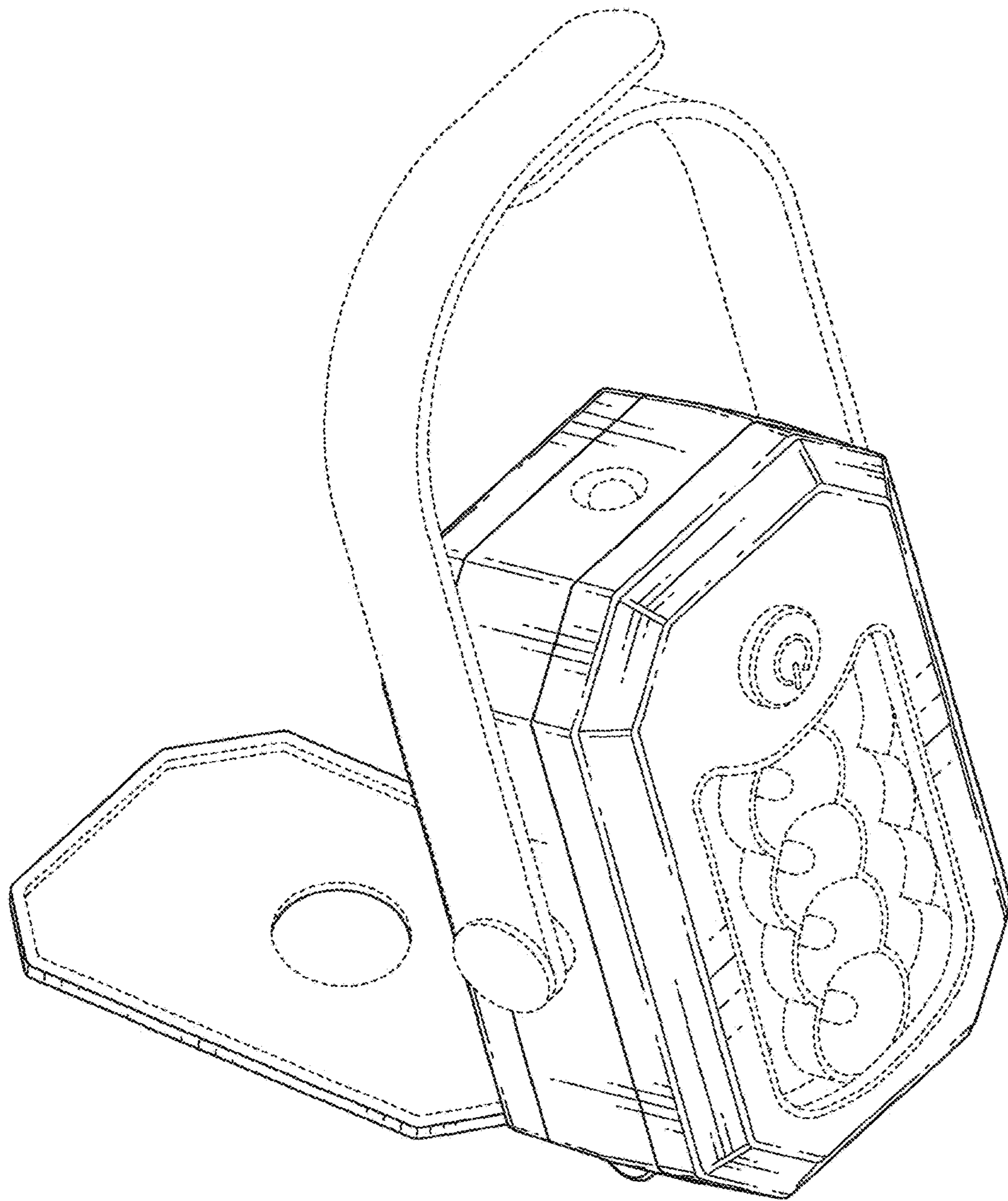


FIG. 8

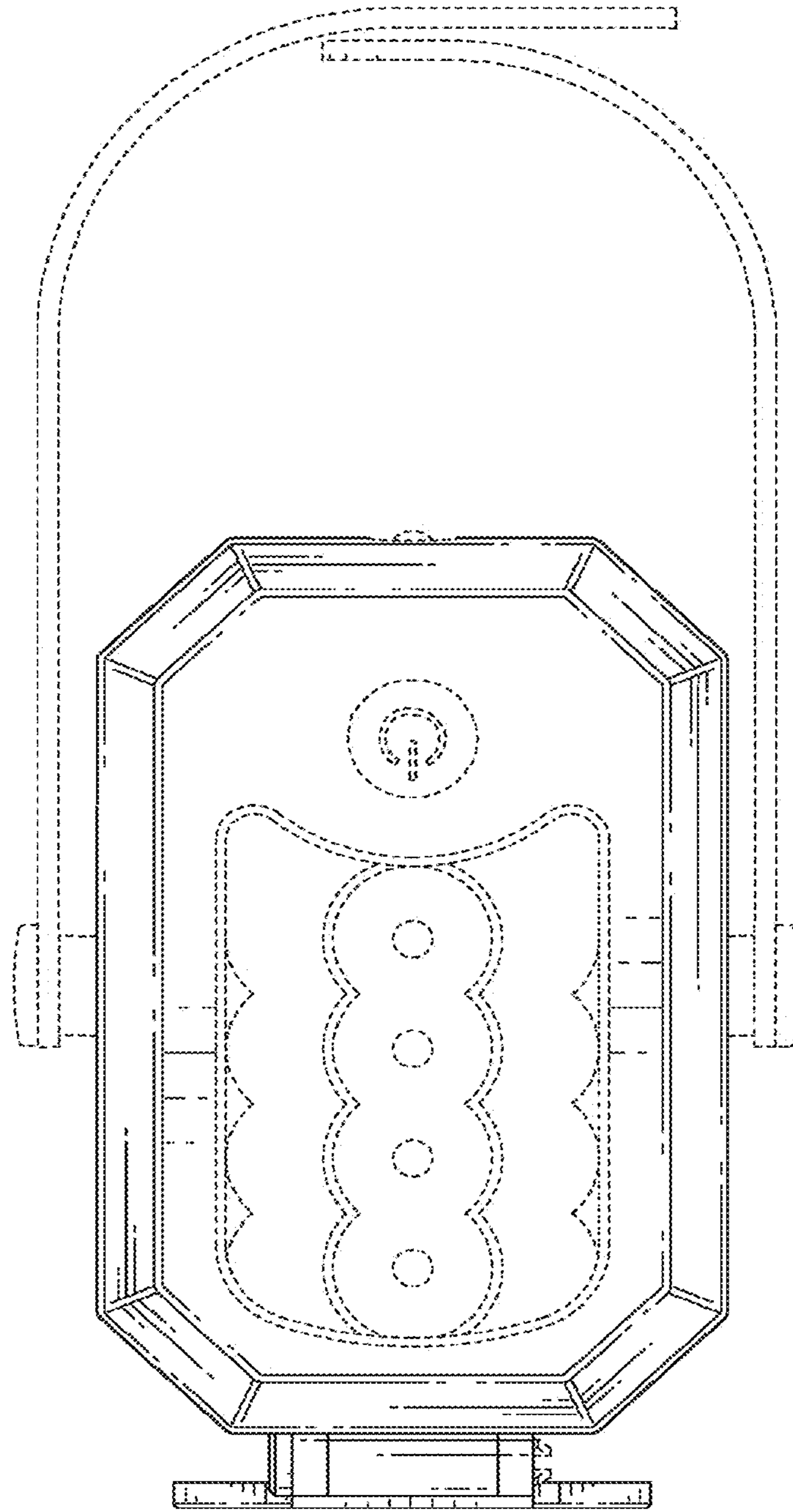


FIG. 9

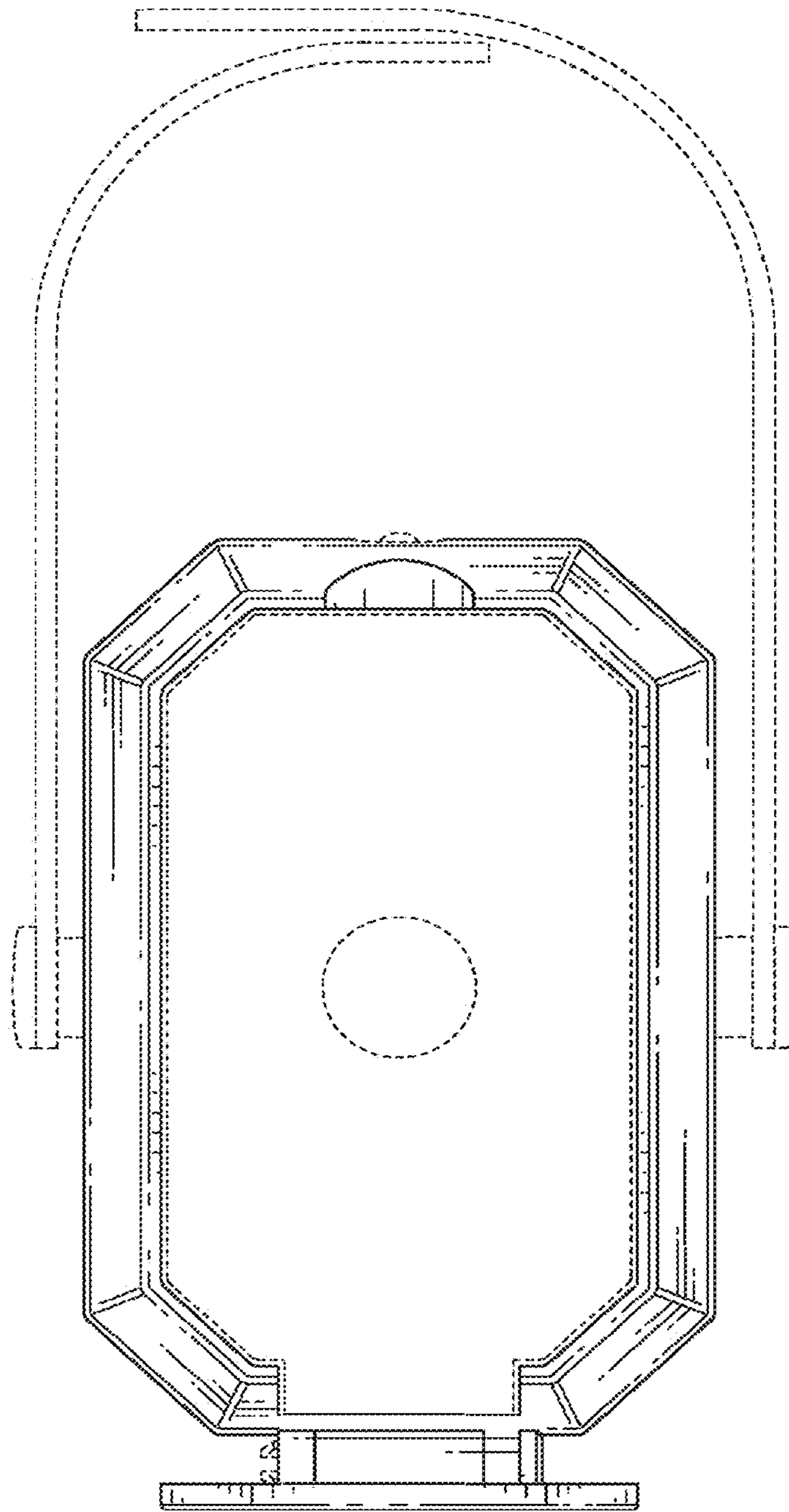


FIG. 10

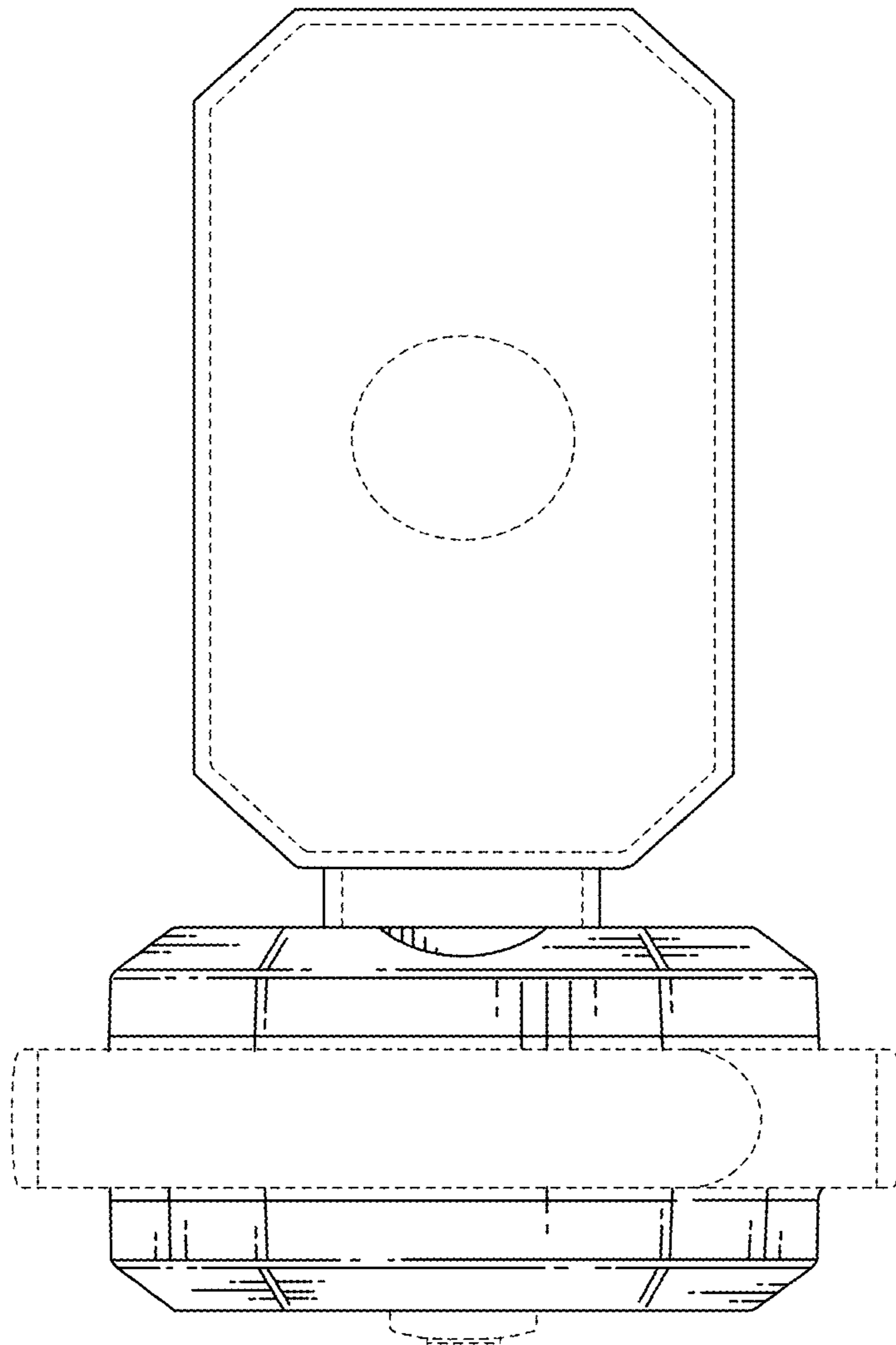


FIG. 11

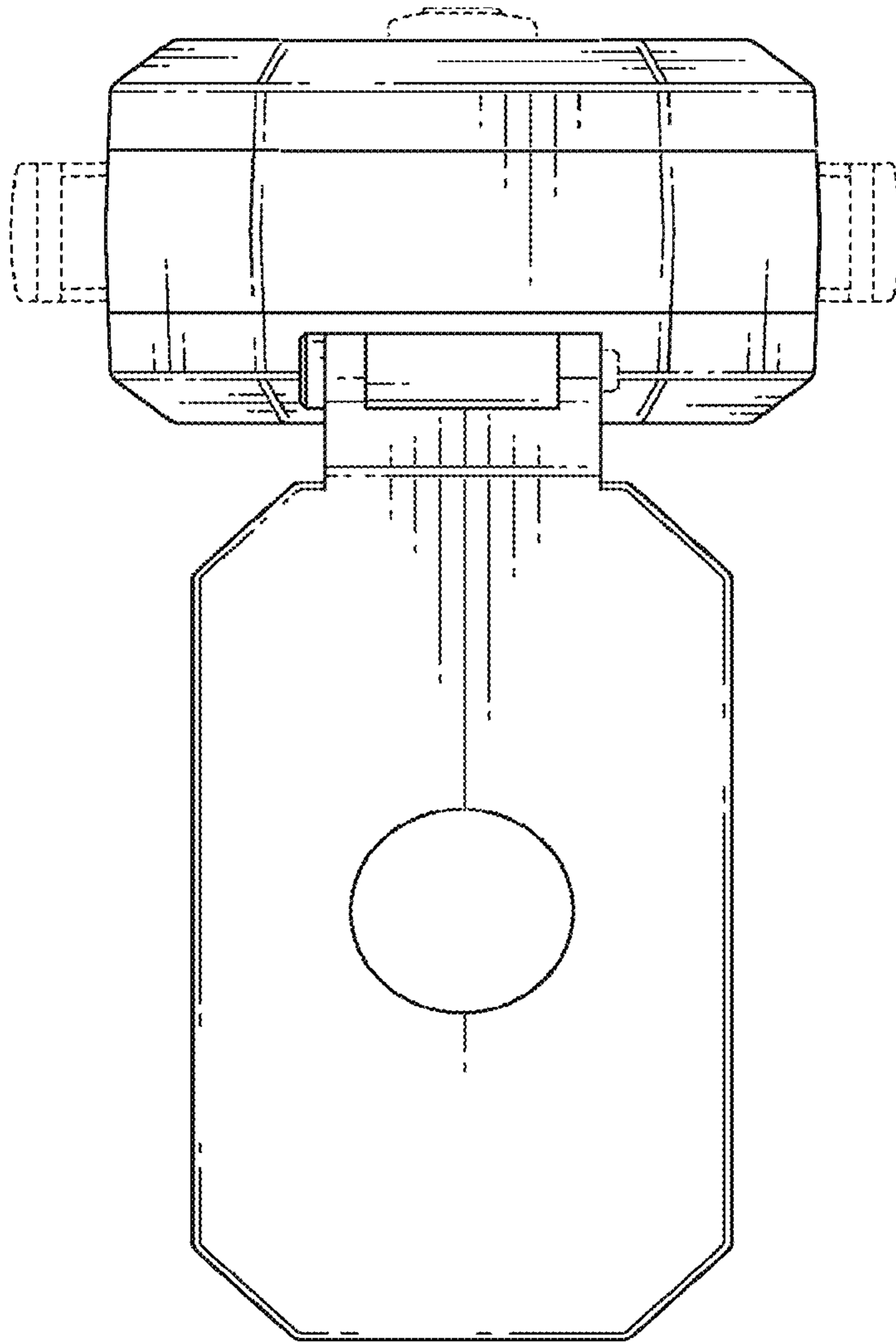


FIG. 12

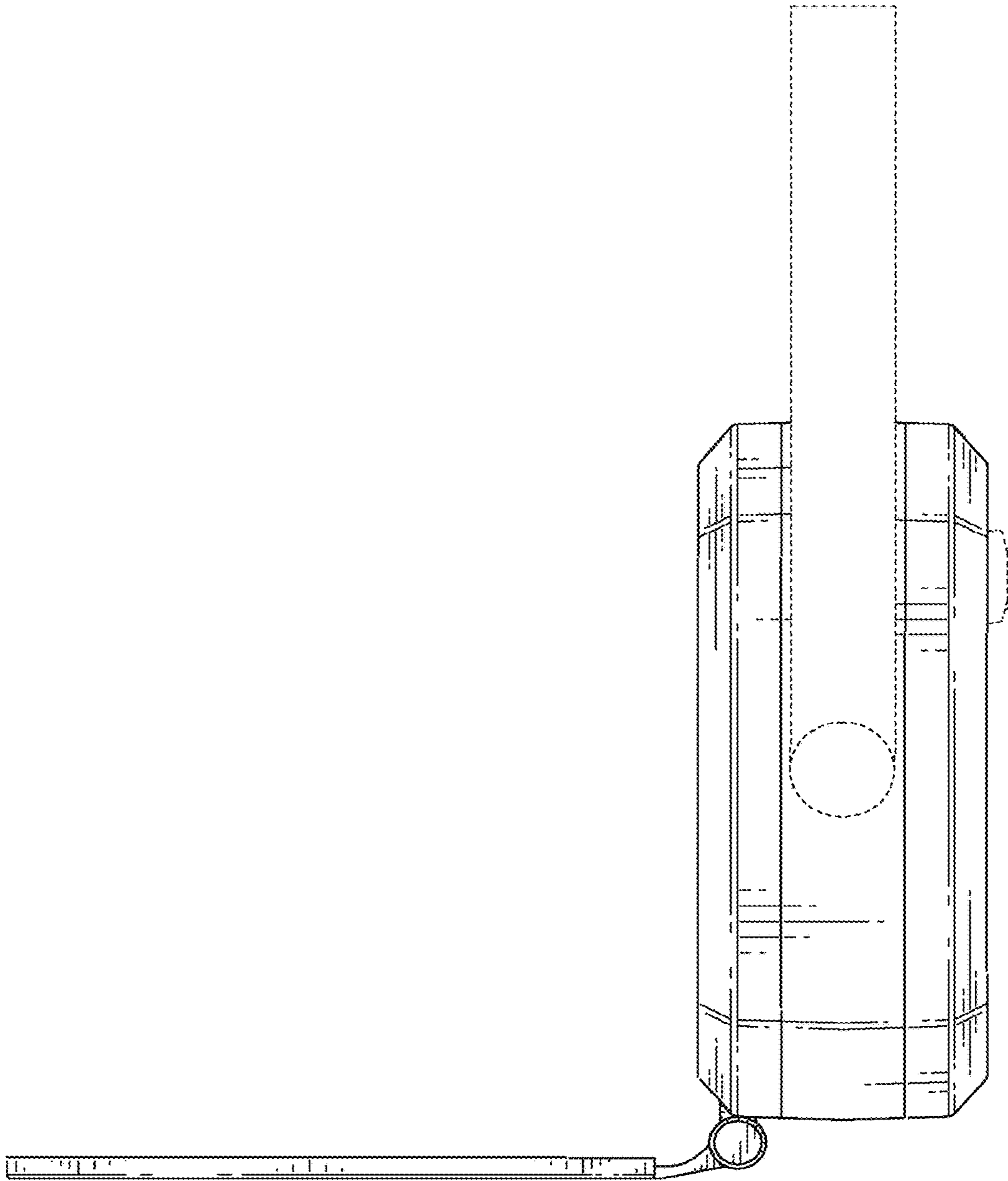


FIG. 13

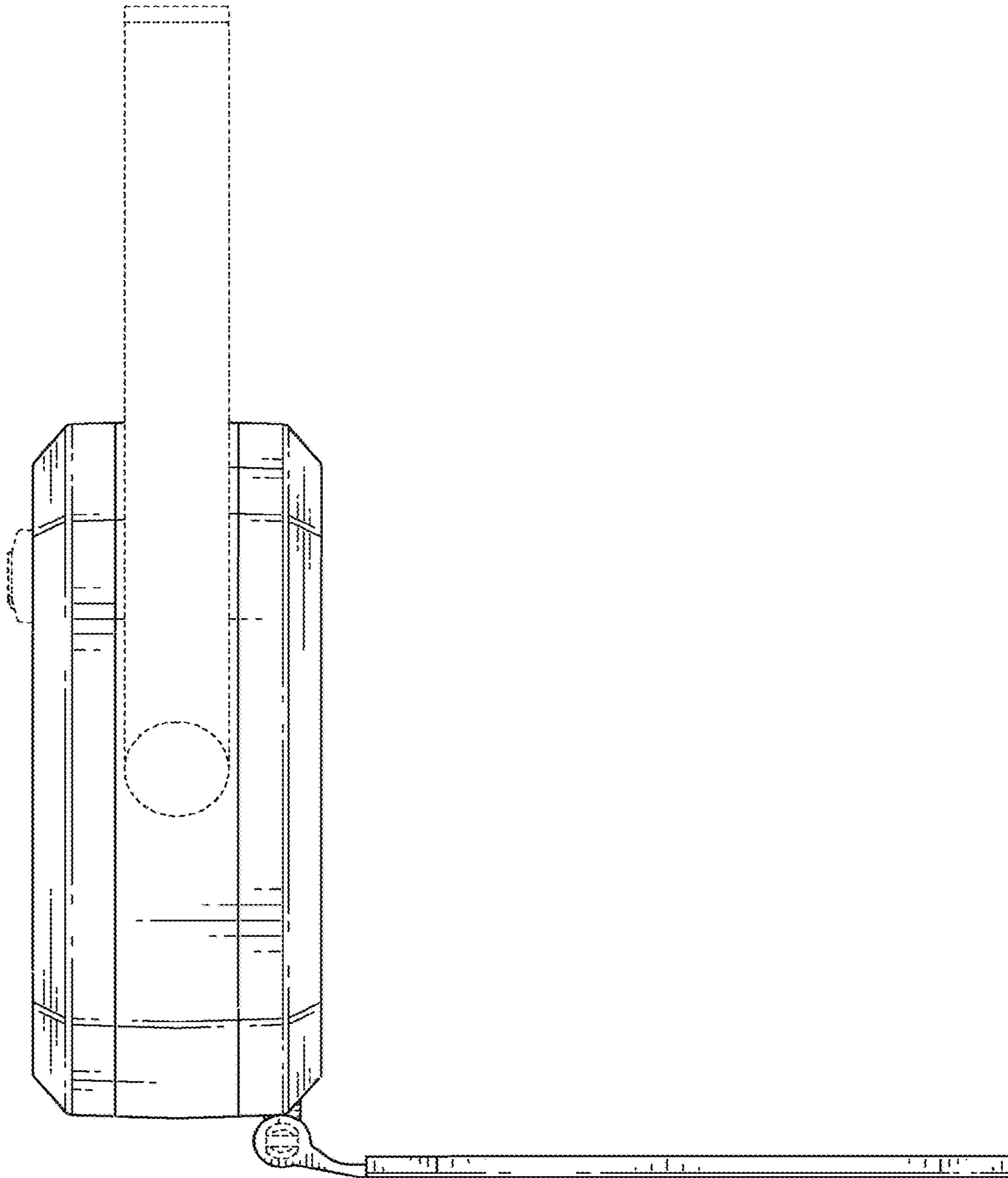


FIG. 14