

US00D861208S

(12) **United States Design Patent**
Chen et al.

(10) **Patent No.:** **US D861,208 S**
(45) **Date of Patent:** **** Sep. 24, 2019**

(54) **MINING LAMP**

(71) Applicant: **XIAMEN ECO LIGHTING CO., LTD.**, Xiamen, Fujian Province (CN)

(72) Inventors: **Xiaobin Chen**, Xiamen (CN); **Yanwei Hu**, Xiamen (CN); **Hua Cai**, Xiamen (CN)

(73) Assignee: **XIAMEN ECO LIGHTING CO., LTD.** (CN)

(**) Term: **15 Years**

(21) Appl. No.: **29/628,169**

(22) Filed: **Dec. 1, 2017**

(51) **LOC (12) Cl.** **26-02**

(52) **U.S. Cl.**
USPC **D26/37**

(58) **Field of Classification Search**
USPC D26/37-51
CPC F21L 2003/00; F21L 4/00; F21L 4/005;
F21L 4/02; F21L 4/025; F21L 4/027;
F21L 4/04; F21L 4/08; F21L 2005/00;
F21L 7/00; F21L 11/00; F21L 13/00;
F21L 13/04; F21L 13/08; F21L 14/02;
F21L 17/00; F21L 19/00; F21L 25/00
See application file for complete search history.

(56) **References Cited**

U.S. PATENT DOCUMENTS

D650,105 S * 12/2011 Crawford D26/41
D650,495 S * 12/2011 Foo D26/2
D658,324 S * 4/2012 Reimann D26/40
D669,613 S * 10/2012 Wung D26/2

D725,300 S * 3/2015 Dalton D26/40
D725,301 S * 3/2015 Fradkina D26/40
D726,357 S * 4/2015 Walczak D26/40
D727,192 S * 4/2015 Kitchens D10/107
D732,227 S * 6/2015 Blum D26/88
D733,950 S * 7/2015 Wu D26/37
D738,553 S * 9/2015 Fletcher D26/41
D739,059 S * 9/2015 Trauterer D26/37
D740,985 S * 10/2015 Dooley D26/37
D747,520 S * 1/2016 Hsu D26/37
D750,304 S * 2/2016 Khayat D26/38
D750,821 S * 3/2016 Rusay D26/37
9,851,088 B2 * 12/2017 Harvey F21L 4/00
D843,635 S * 3/2019 Van Egmond D26/96
2018/0259171 A1 * 9/2018 Pharr F21V 29/70

* cited by examiner

Primary Examiner — Lakiya G Rogers

Assistant Examiner — Carissa C Fitts

(74) *Attorney, Agent, or Firm* — PROI Intellectual Property US

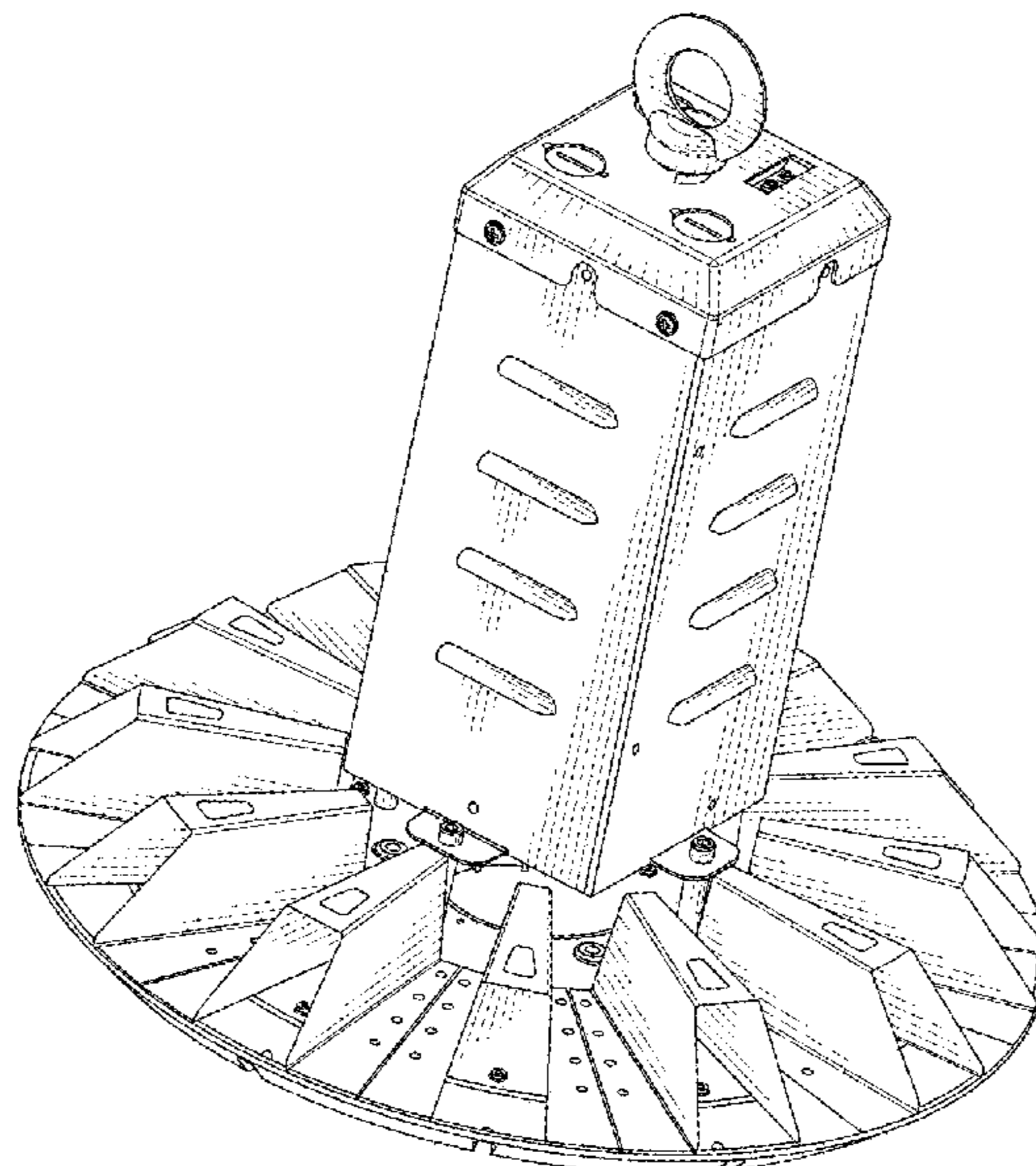
(57) **CLAIM**

The ornamental design for a mining lamp, as shown and described.

DESCRIPTION

FIG. 1 is a perspective top View of a mining lamp;
FIG. 2 is a perspective bottom View thereof;
FIG. 3 is a front View thereof;
FIG. 4 is a rear View thereof;
FIG. 5 is a top View thereof;
FIG. 6 is a bottom View thereof;
FIG. 7 is a left side View thereof; and,
FIG. 8 is a right side View thereof.

1 Claim, 8 Drawing Sheets



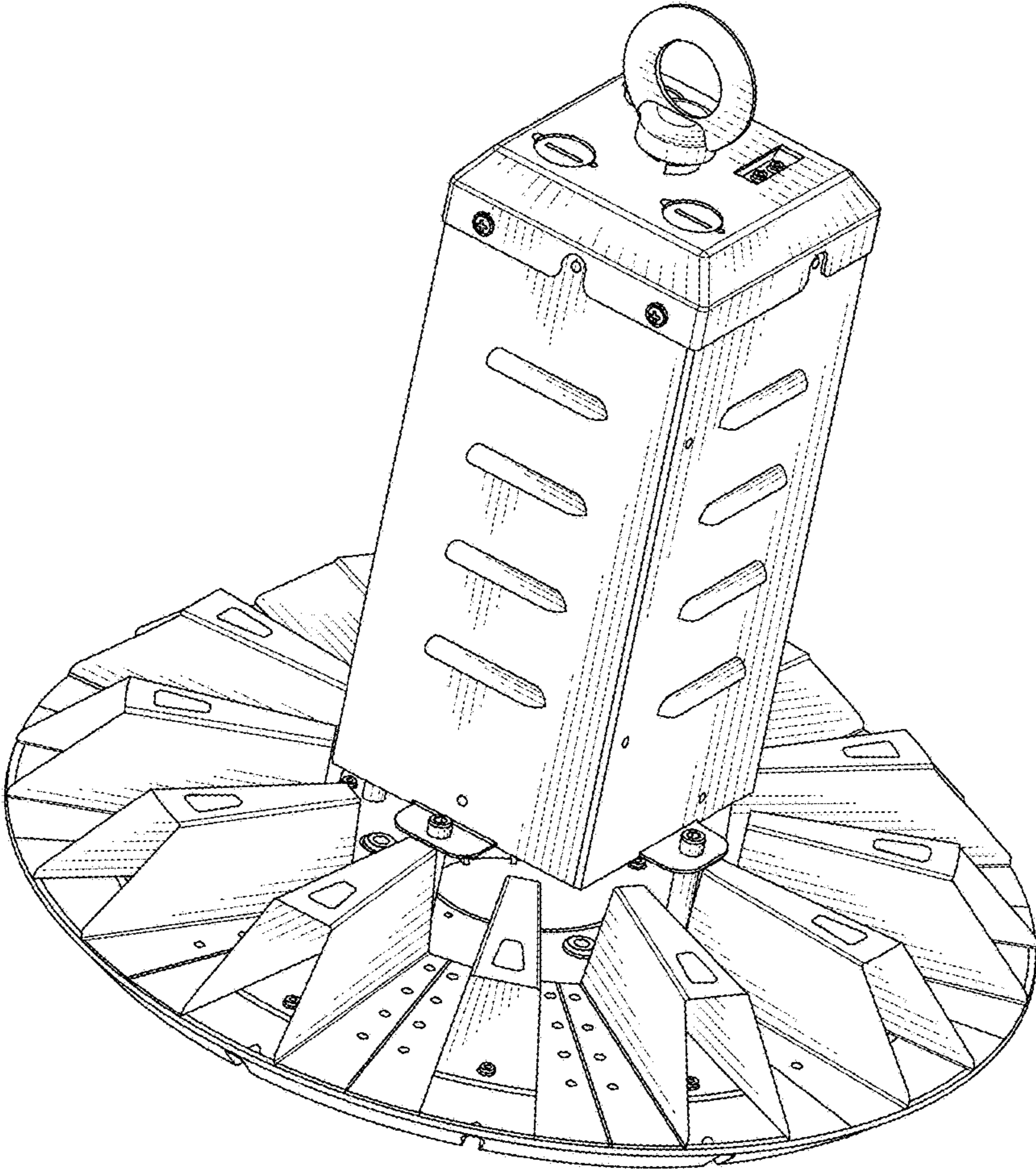


FIG. 1

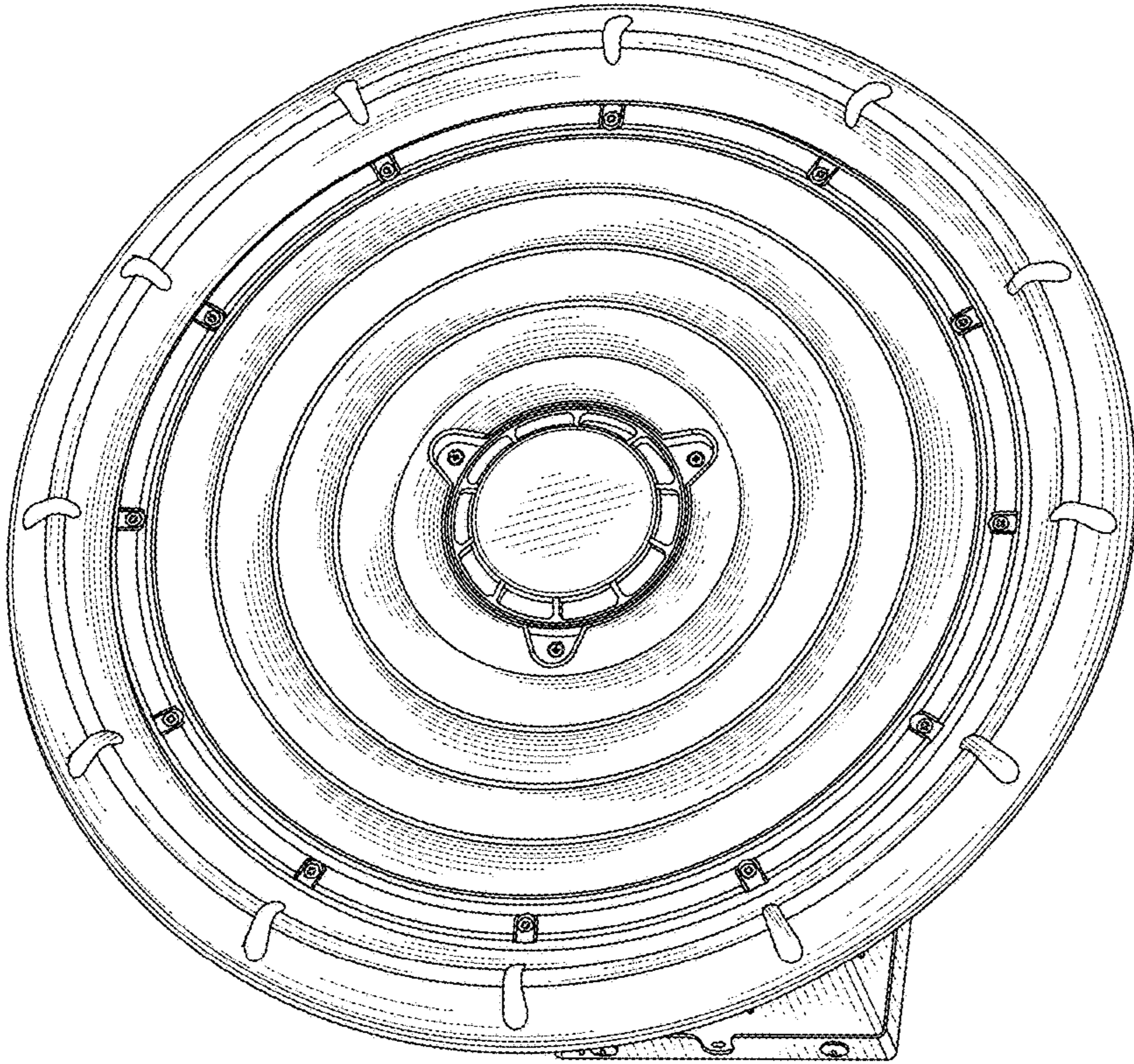


FIG. 2

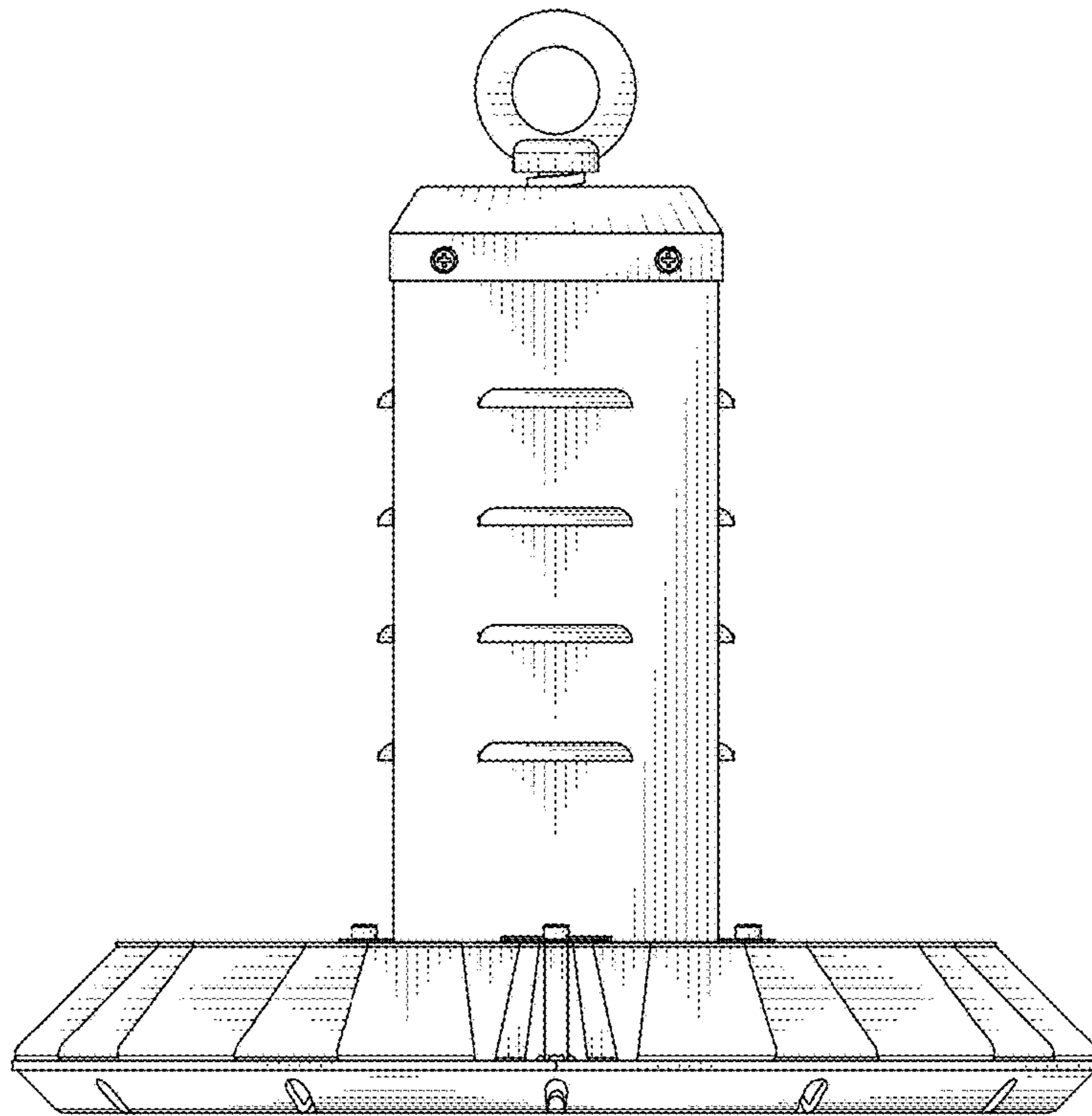


FIG. 3

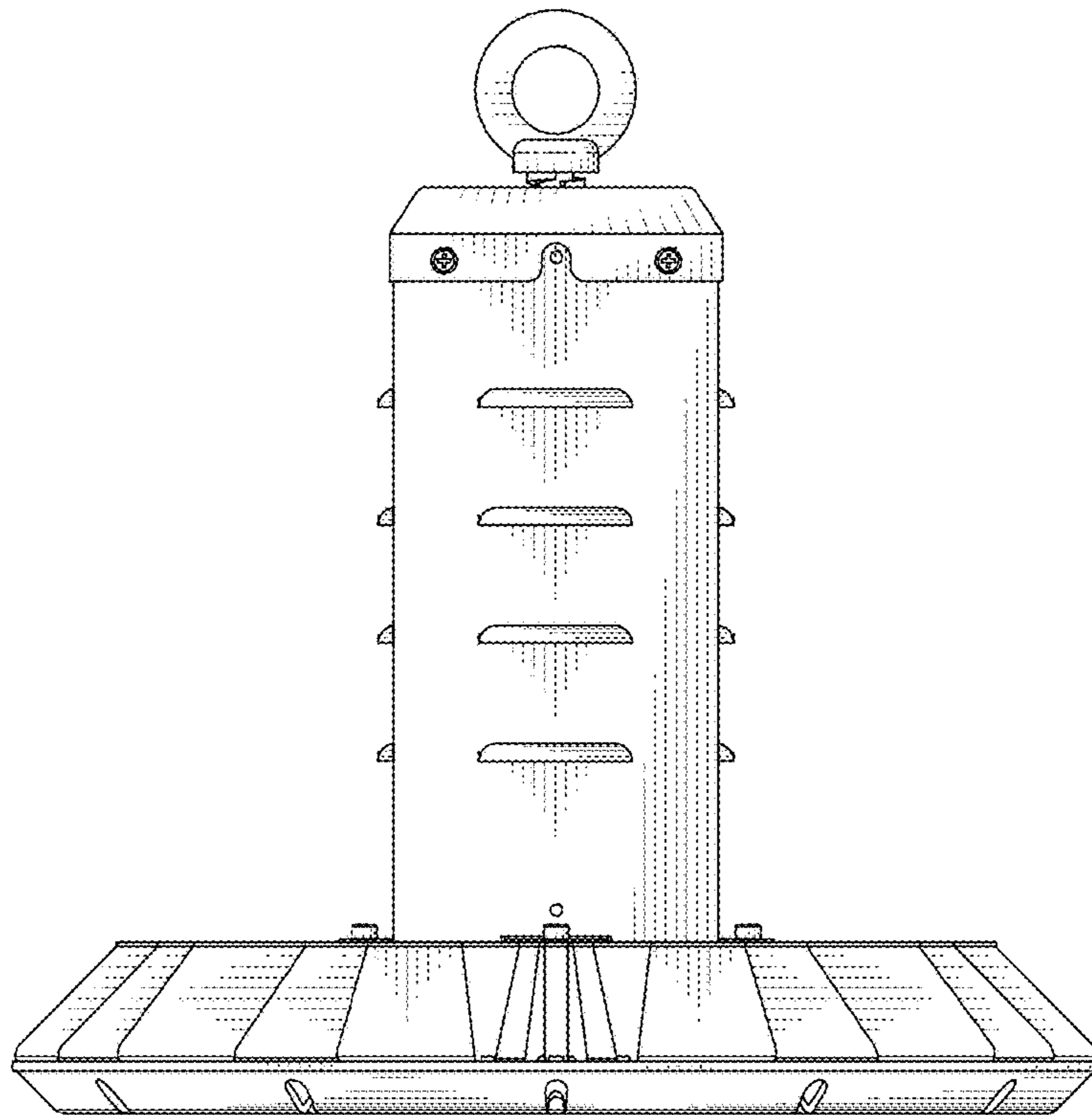


FIG. 4

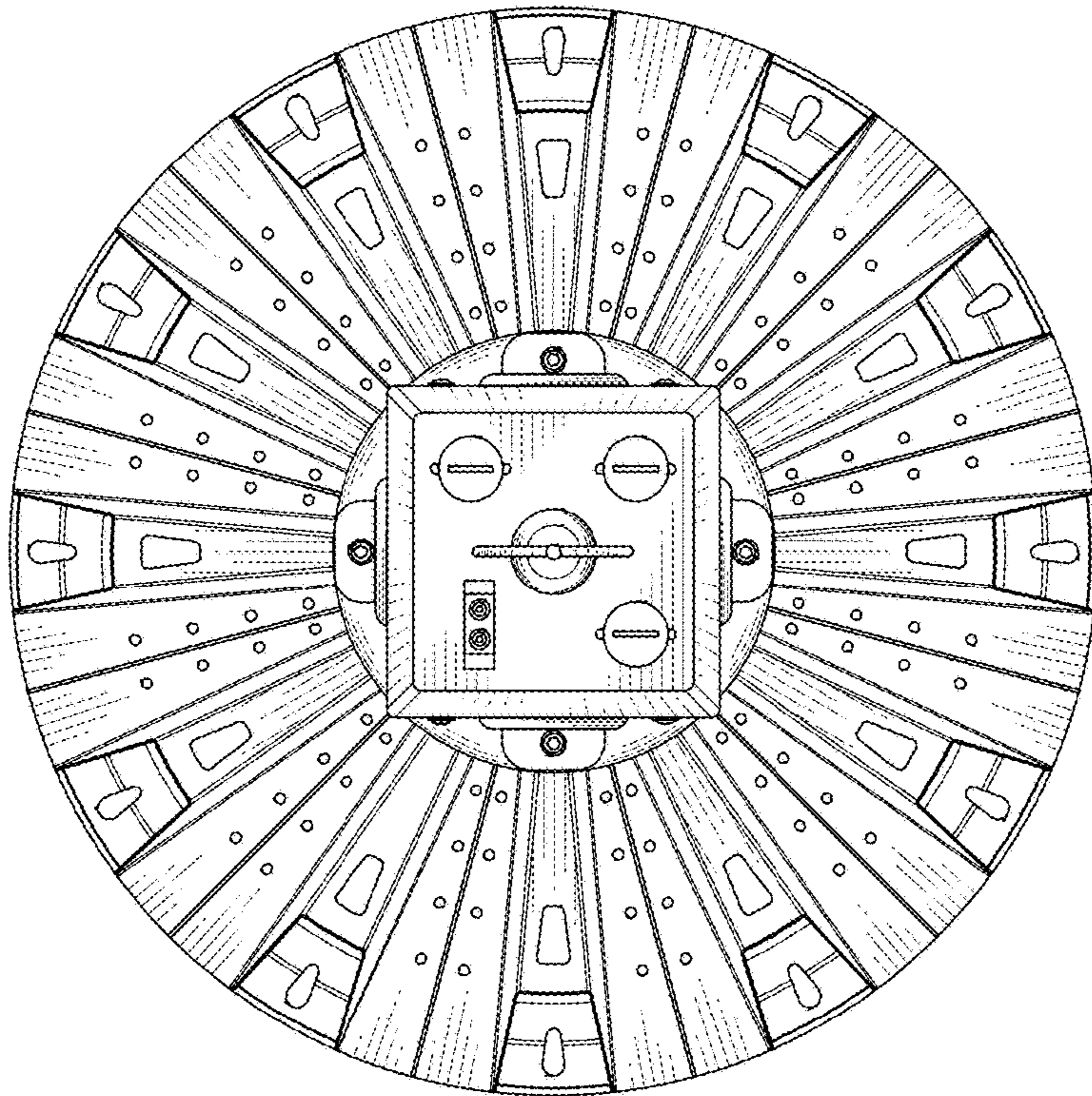


FIG. 5

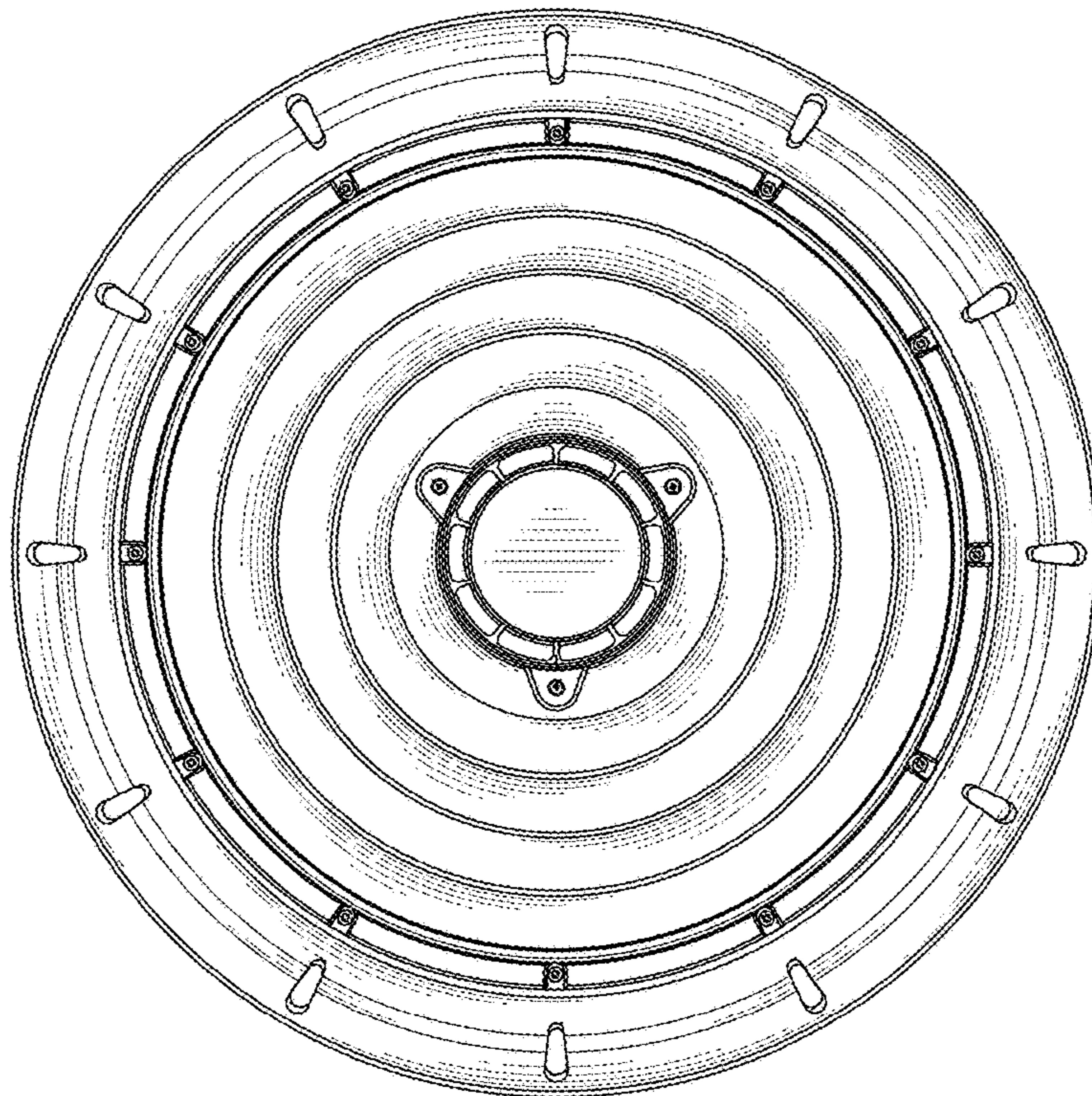


FIG. 6

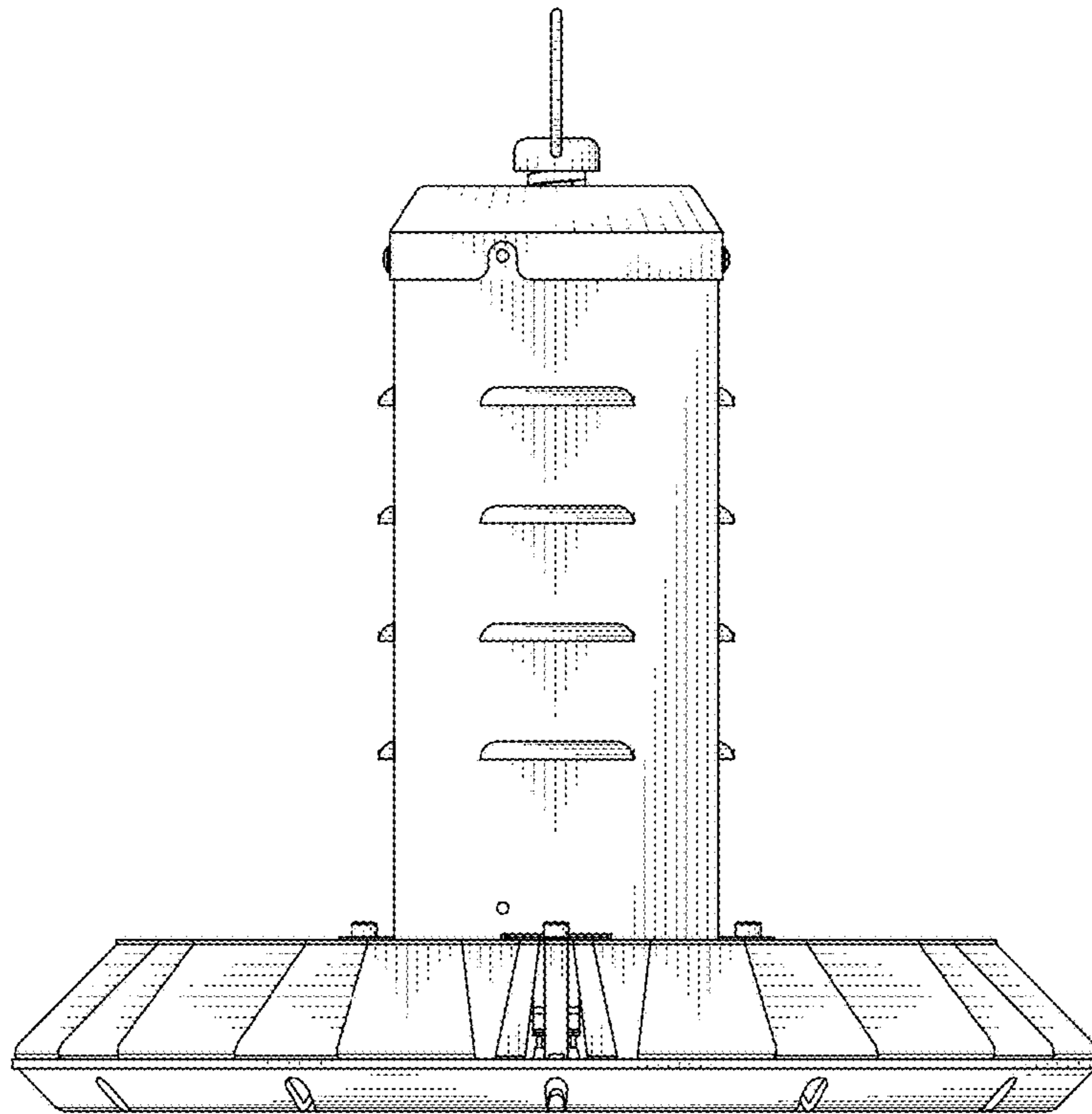


FIG. 7

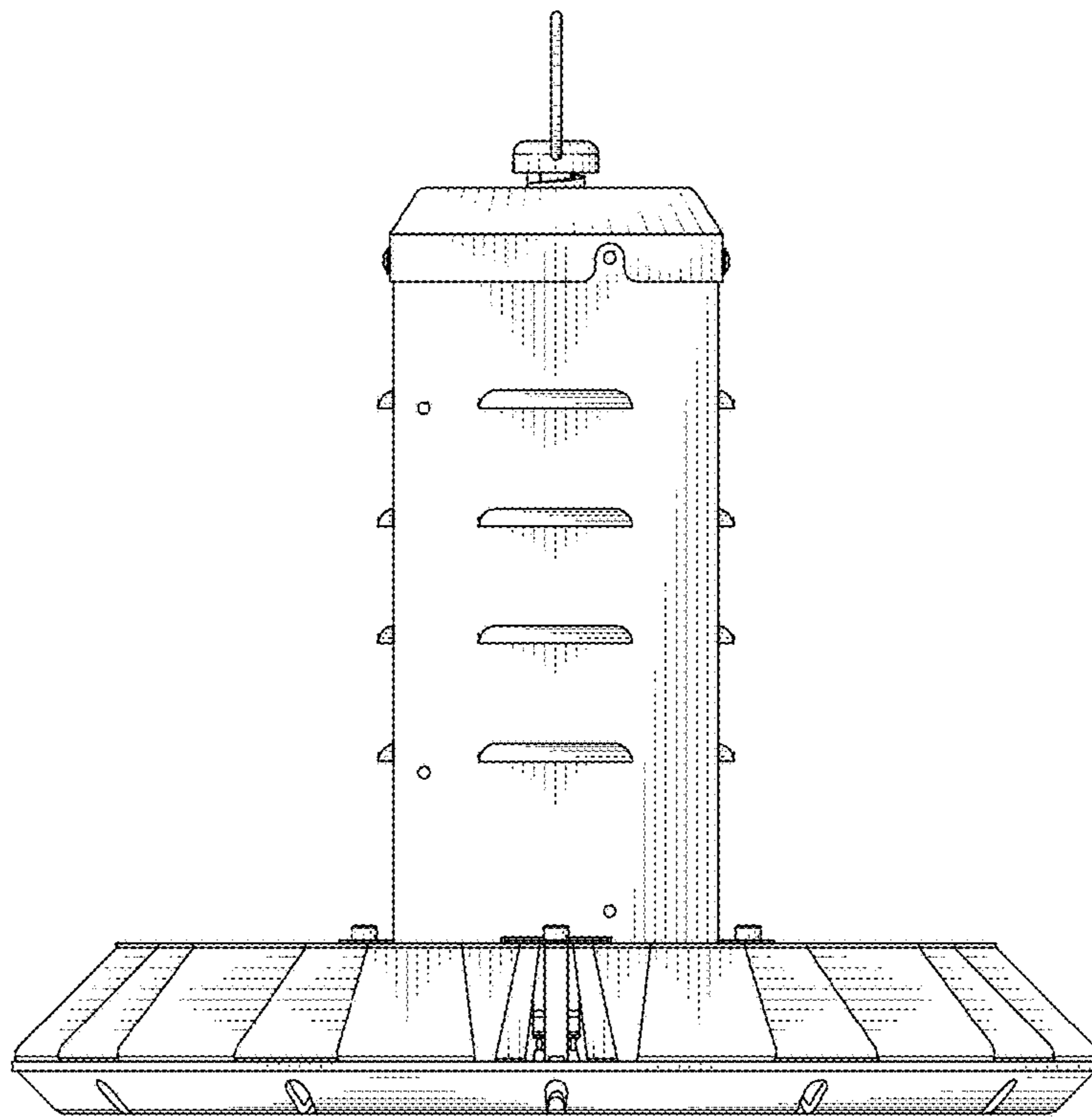


FIG. 8