



US00D861207S

(12) **United States Design Patent** (10) **Patent No.:** **US D861,207 S**
Badstuebner et al. (45) **Date of Patent:** **** Sep. 24, 2019**

(54) **TAILLIGHT FOR A VEHICLE**

FOREIGN PATENT DOCUMENTS

(71) Applicant: **Daimler AG**, Stuttgart (DE)

TW D162648 S 8/2014
TW D168207 S 6/2015

(72) Inventors: **Achim-Dietrich Badstuebner**, Munich (DE); **Marco Cartarius**, Weil im Schoenbuch (DE); **Stefan Handt**, Stuttgart (DE); **Robert Lesnik**, Leonberg (DE); **Andreas Rommel**, Sindelfingen (DE); **Frederic Seemann**, Stuttgart (DE); **Gorden Wagener**, Gaeufelden (DE)

OTHER PUBLICATIONS

Taiwanese-language Search Report issued in counterpart Taiwanese Application No. 107303538 dated Feb. 19, 2019 with partial English translation (5 pages).

Primary Examiner — Marcus A Jackson
(74) *Attorney, Agent, or Firm* — Crowell & Moring LLP

(73) Assignee: **Daimler AG**, Stuttgart (DE)

(57) **CLAIM**

(**) Term: **15 Years**

The ornamental design for a taillight for a vehicle, as shown and described.

(21) Appl. No.: **29/654,092**

DESCRIPTION

(22) Filed: **Jun. 21, 2018**

FIG. 1 is a left, front perspective view of a first embodiment of a taillight for a vehicle according to the design;

(30) **Foreign Application Priority Data**

Dec. 22, 2017 (WO) DM/100549

(51) **LOC (12) Cl.** **26-06**

(52) **U.S. Cl.**
USPC **D26/28**

(58) **Field of Classification Search**
USPC D26/28–36, 139
CPC F21S 48/00; F21S 48/10; F21S 48/115;
F21S 48/225; F21S 48/1233; F21S
48/1266; F21S 48/1388; F21S 48/2268;
F21V 21/04; F21V 29/004
See application file for complete search history.

FIG. 2 is a front view thereof;
FIG. 3 is a rear view thereof;
FIG. 4 is a left side view thereof;
FIG. 5 is a right side view thereof;
FIG. 6 is a top view thereof; and
FIG. 7 is a bottom view thereof.

(56) **References Cited**

U.S. PATENT DOCUMENTS

D657,482 S * 4/2012 Kong D26/28
D675,353 S * 1/2013 Kazama D26/28
D708,367 S * 7/2014 Tajima D26/28

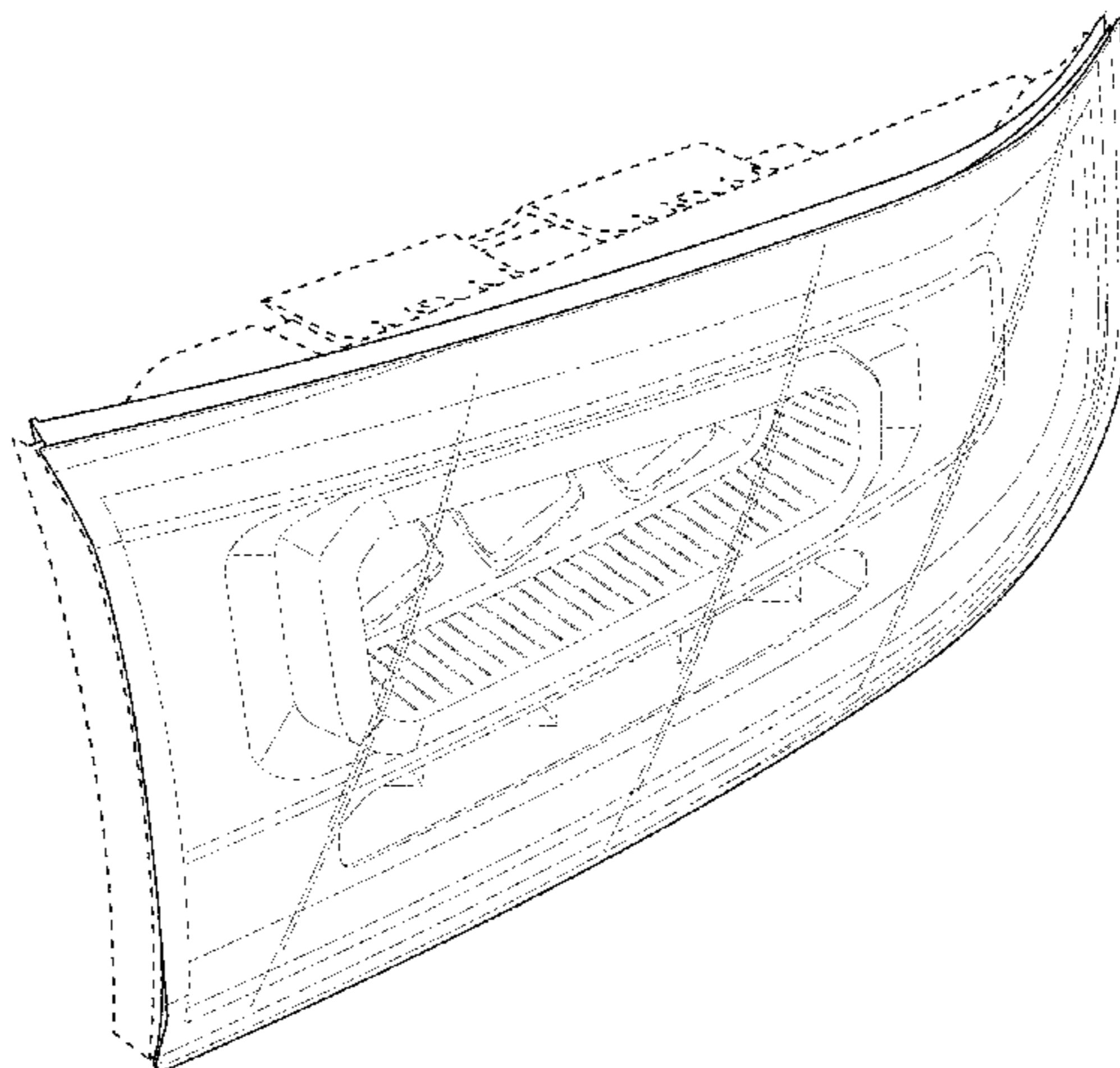
FIG. 8 is a front perspective view of a second embodiment of a taillight for a vehicle, with the taillight for a vehicle from the opposite side being depicted in the first embodiment thereof;

FIG. 9 is a front view thereof;
FIG. 10 is a rear view thereof;
FIG. 11 is a right side view thereof;
FIG. 12 is a left side view thereof;
FIG. 13 is a top view thereof; and,
FIG. 14 is a bottom view thereof.

The broken lines in the drawings illustrate environmental subject matter only and form no part of the claimed design. Also enclosed is a set of photographs of an embodiment of the design.

(Continued)

1 Claim, 14 Drawing Sheets



(56)

References Cited

U.S. PATENT DOCUMENTS

D710,523 S *	8/2014	Kaneda	D26/28
D745,724 S *	12/2015	Yoshida	D26/28
D755,420 S	5/2016	Ko et al.	
D756,003 S *	5/2016	Kong	D26/28
D762,312 S *	7/2016	Wada	D26/28

* cited by examiner

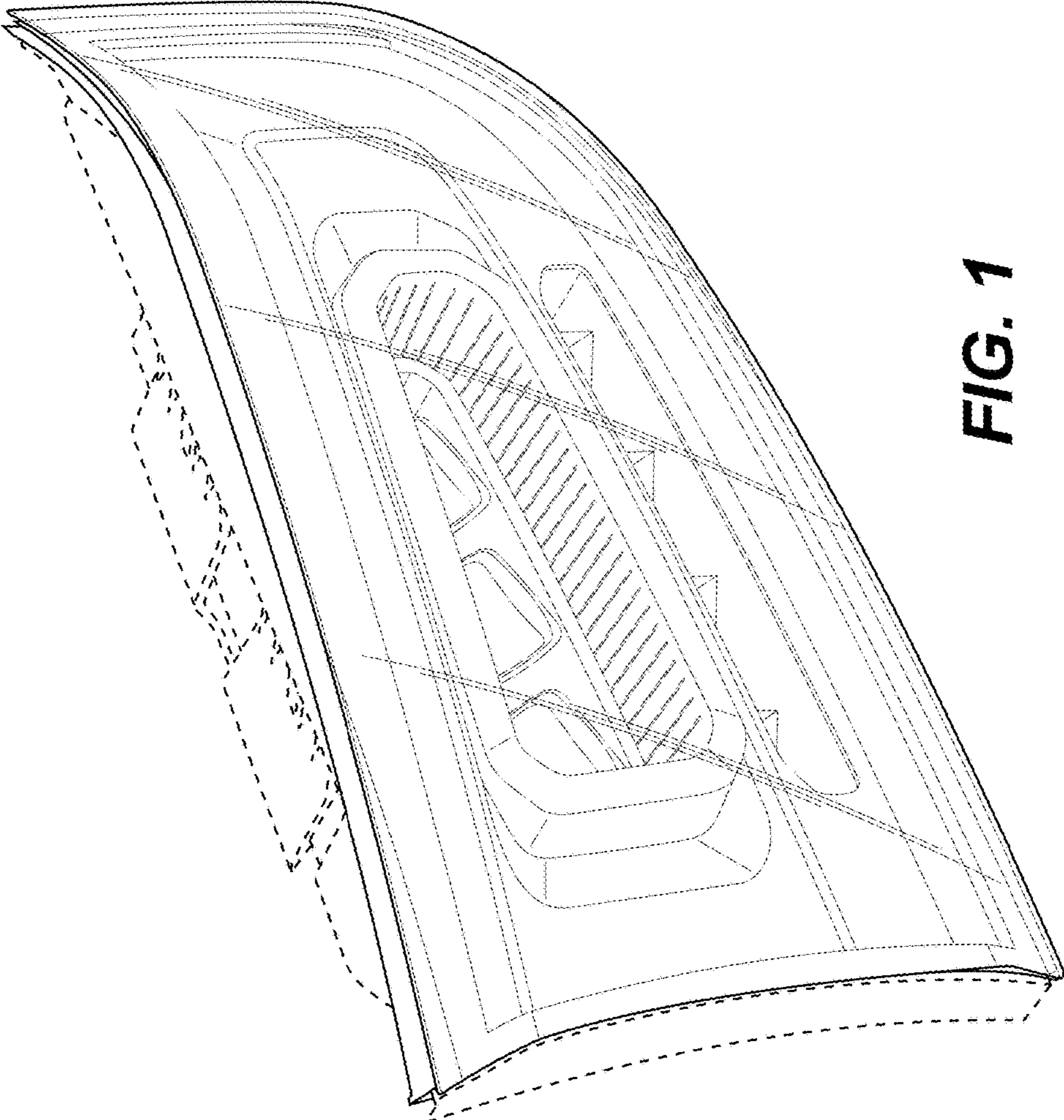


FIG. 1

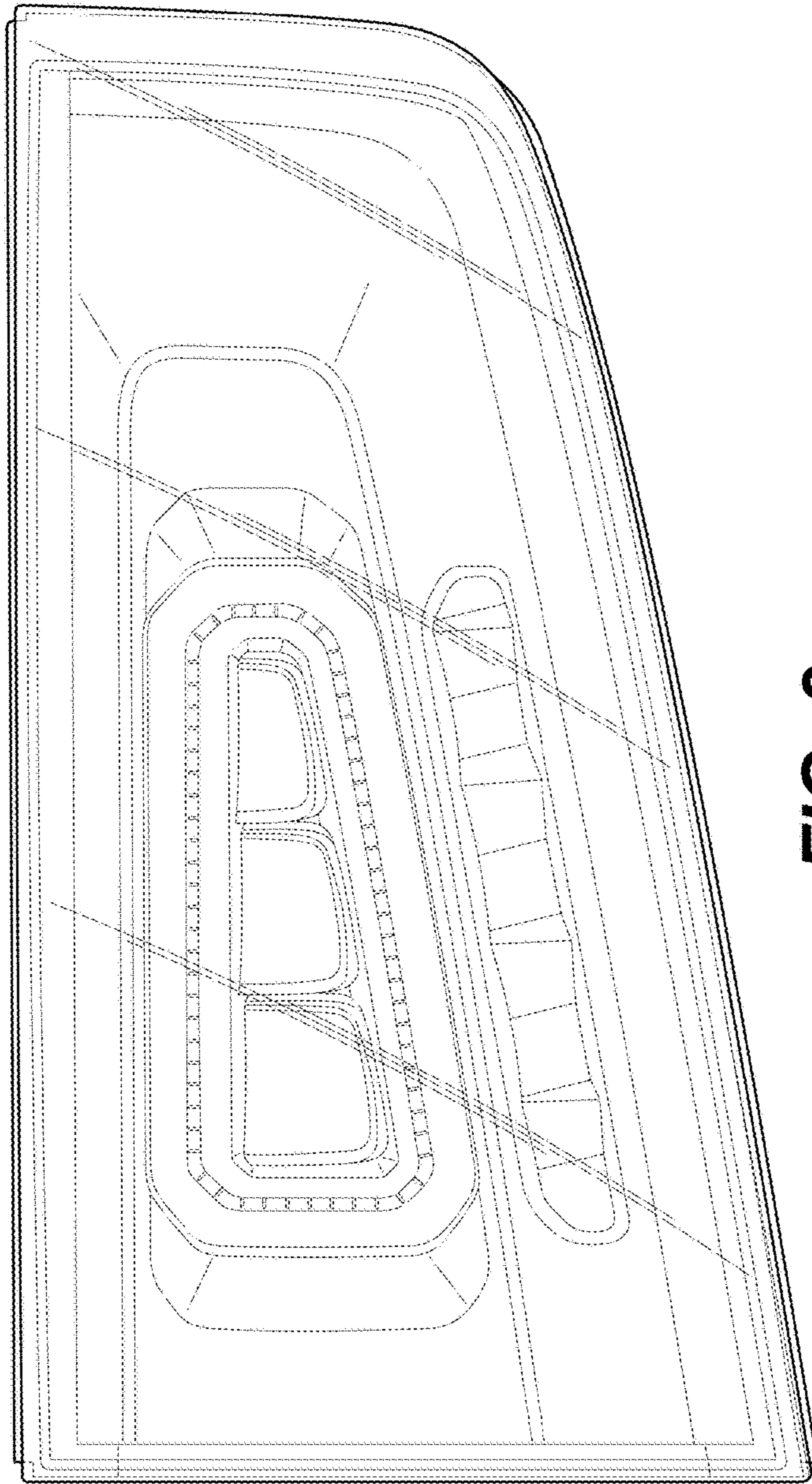


FIG. 2

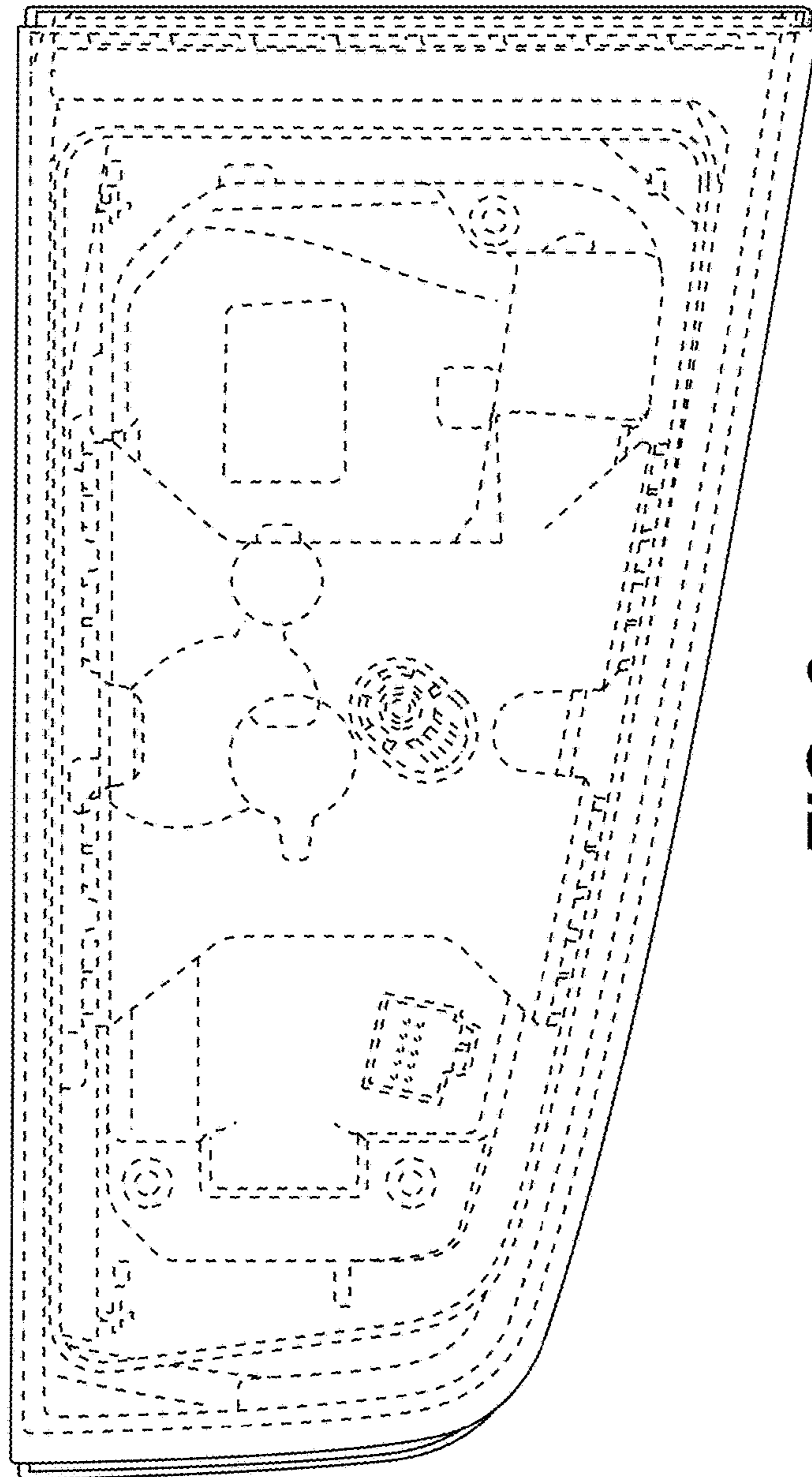


FIG. 3

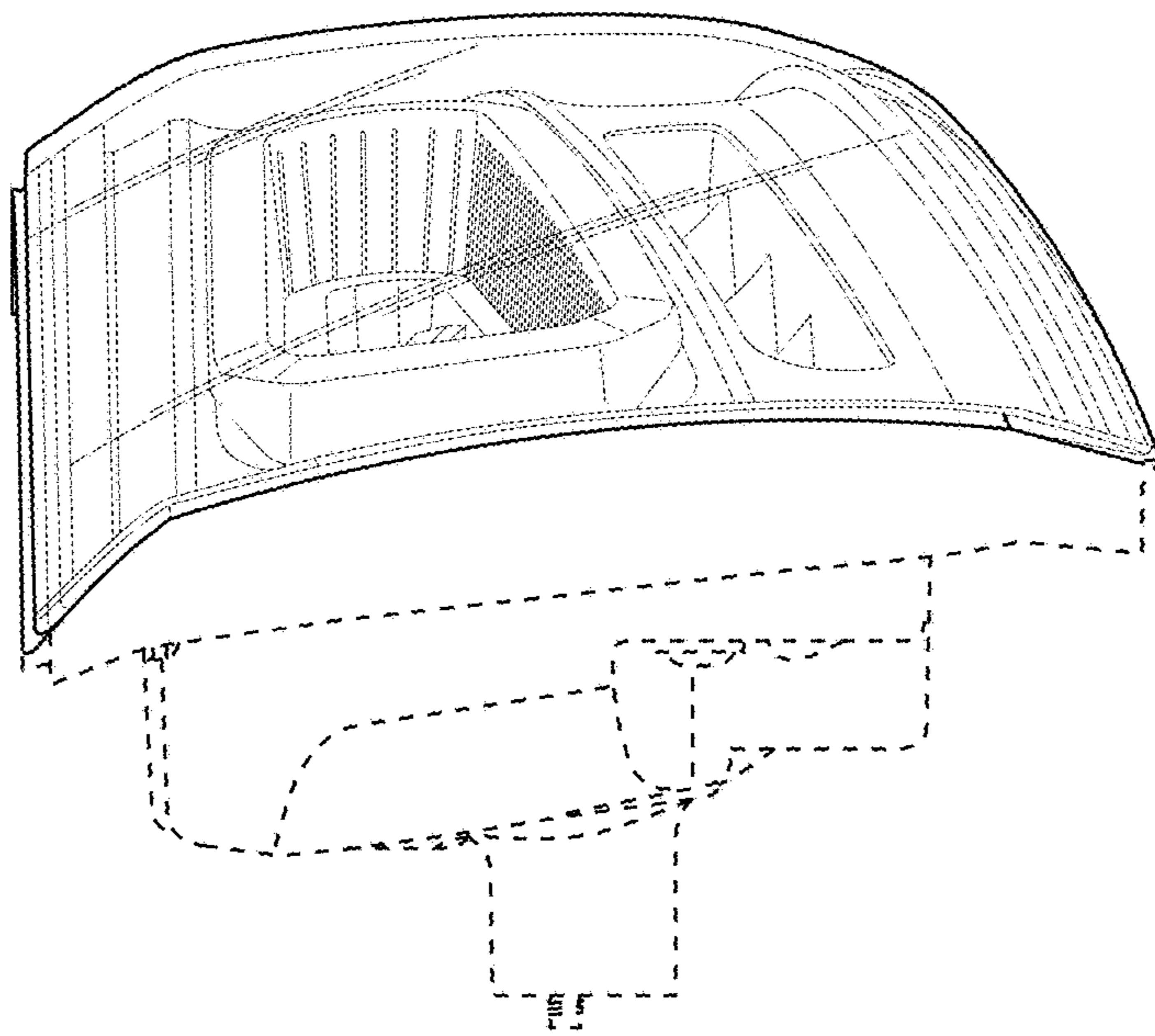


FIG. 4

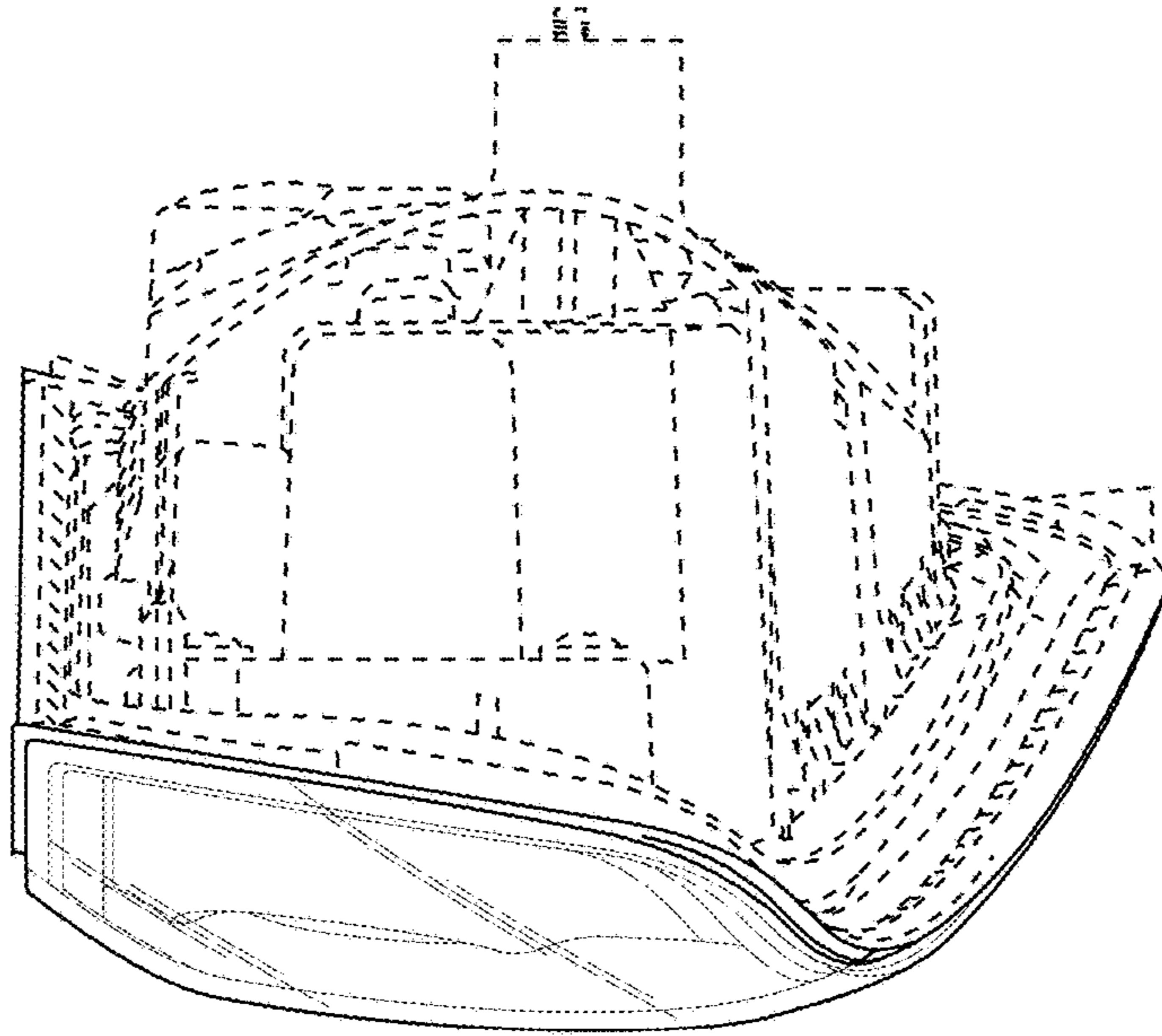


FIG. 5

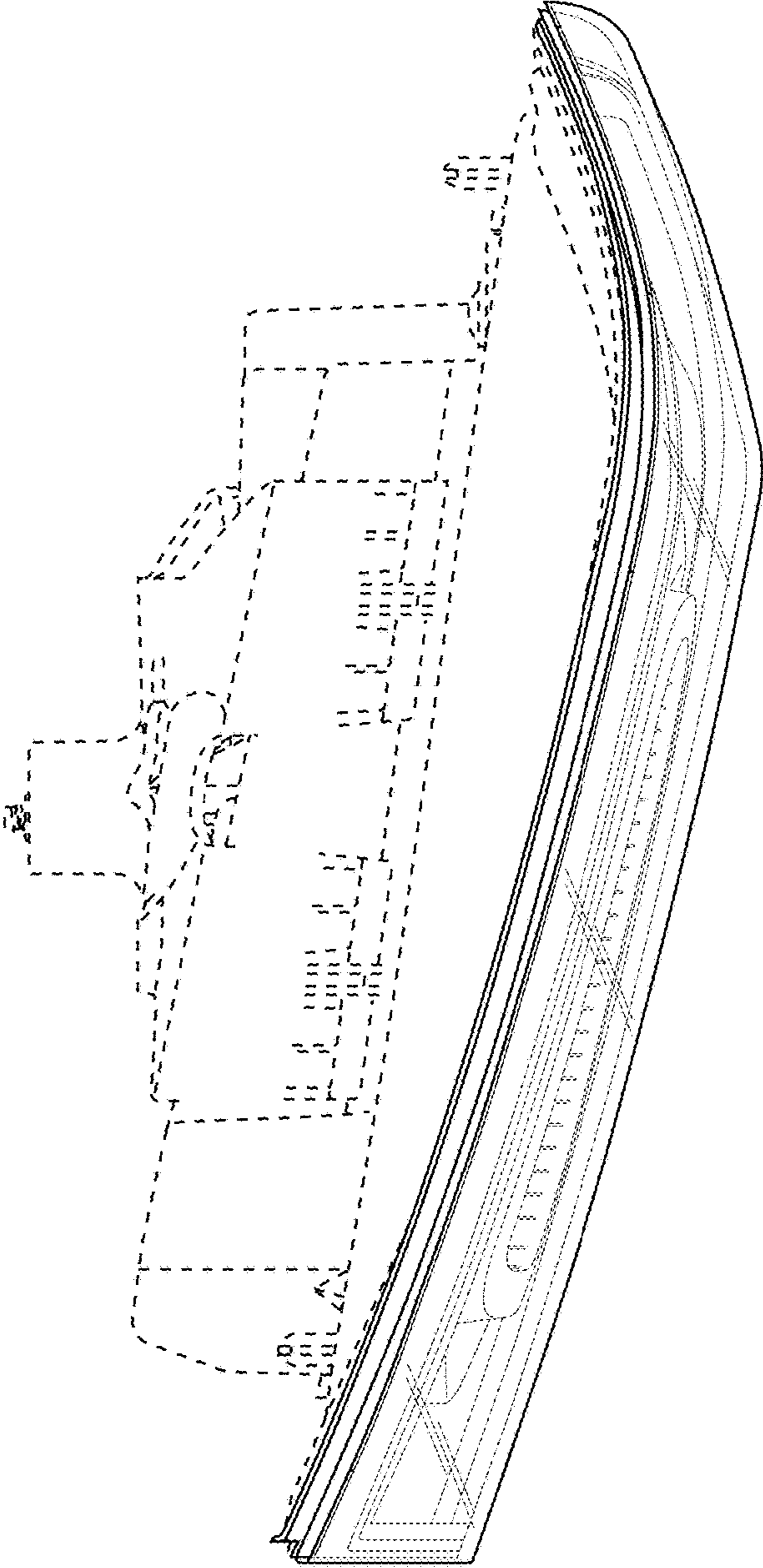


FIG. 6

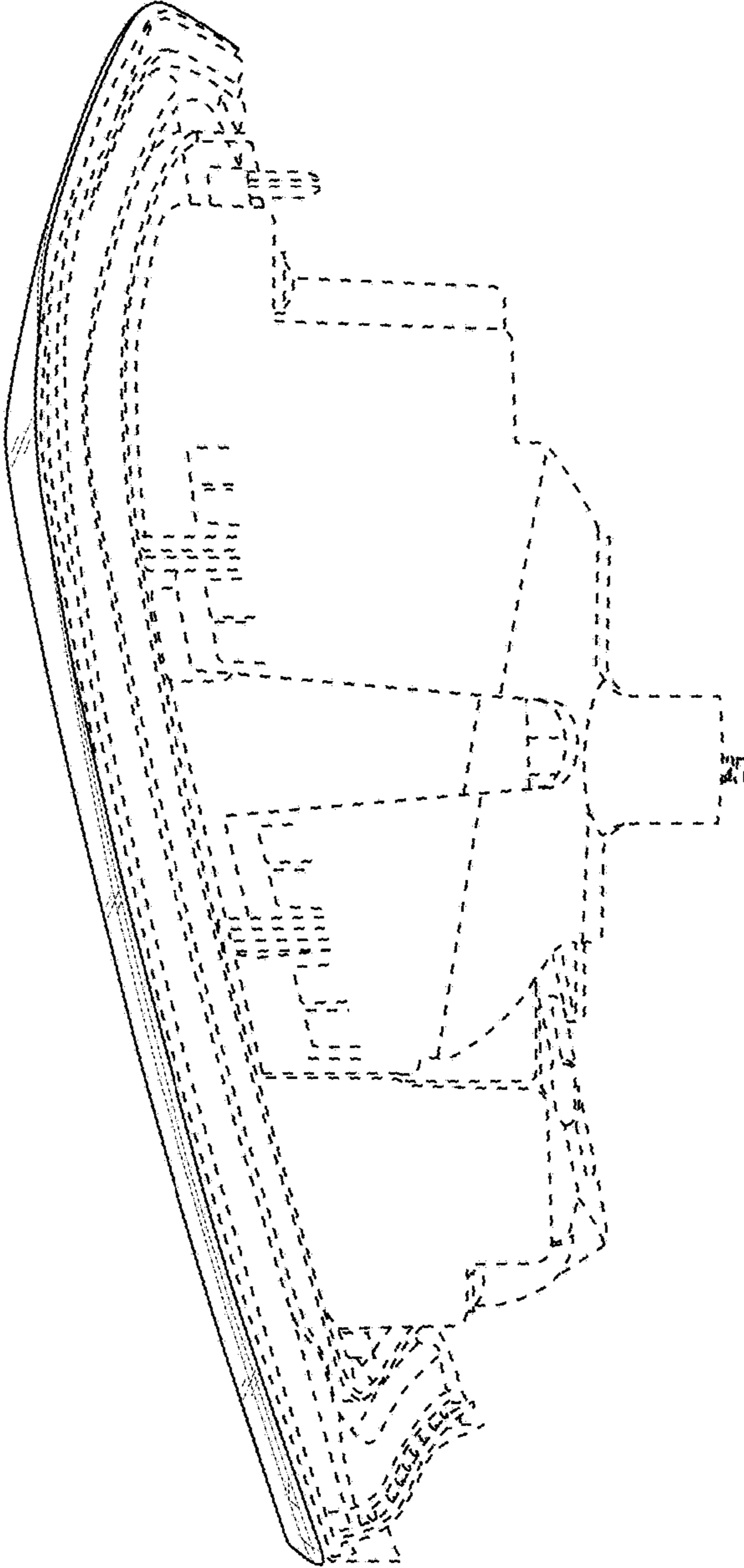


FIG. 7

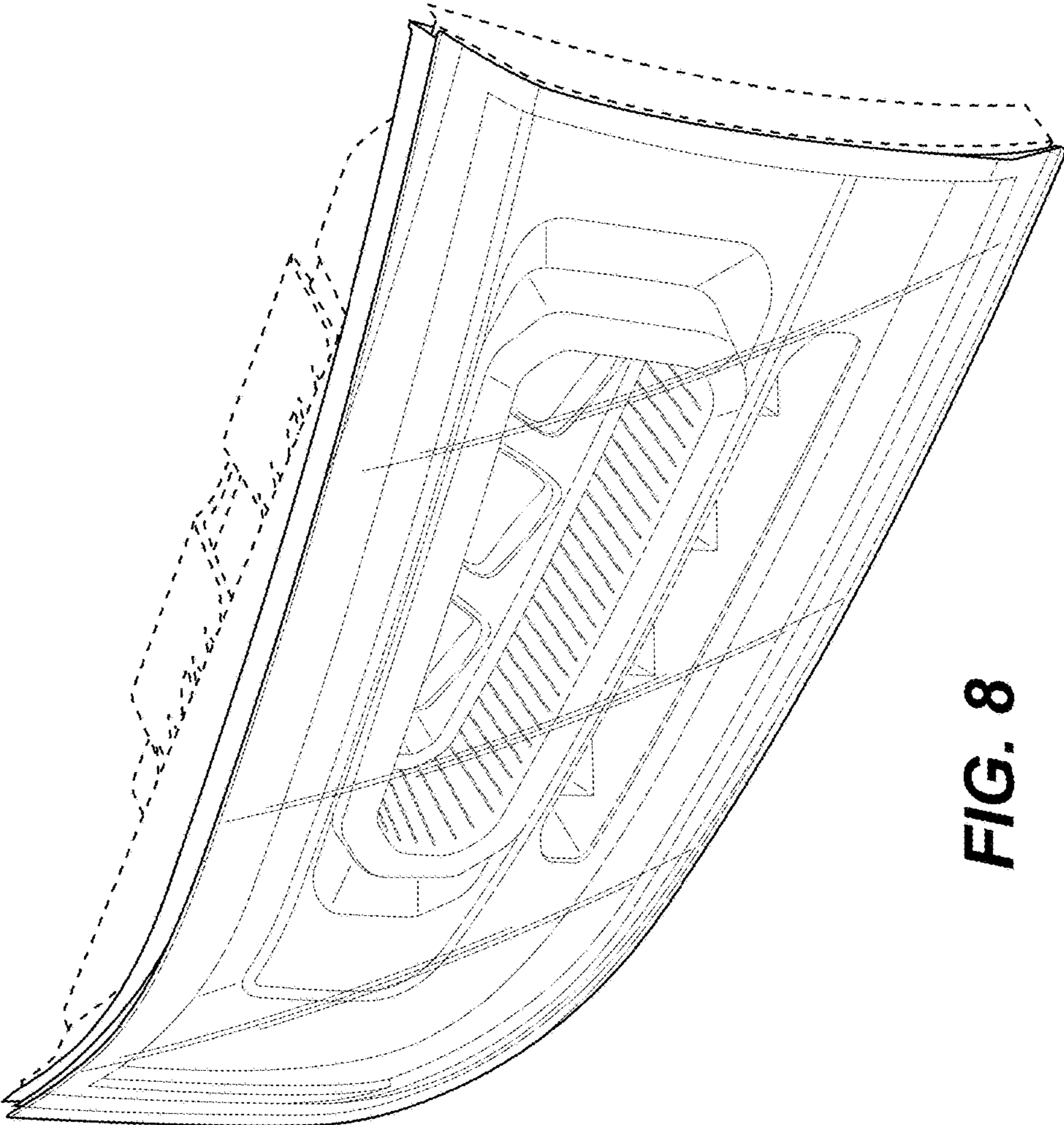


FIG. 8

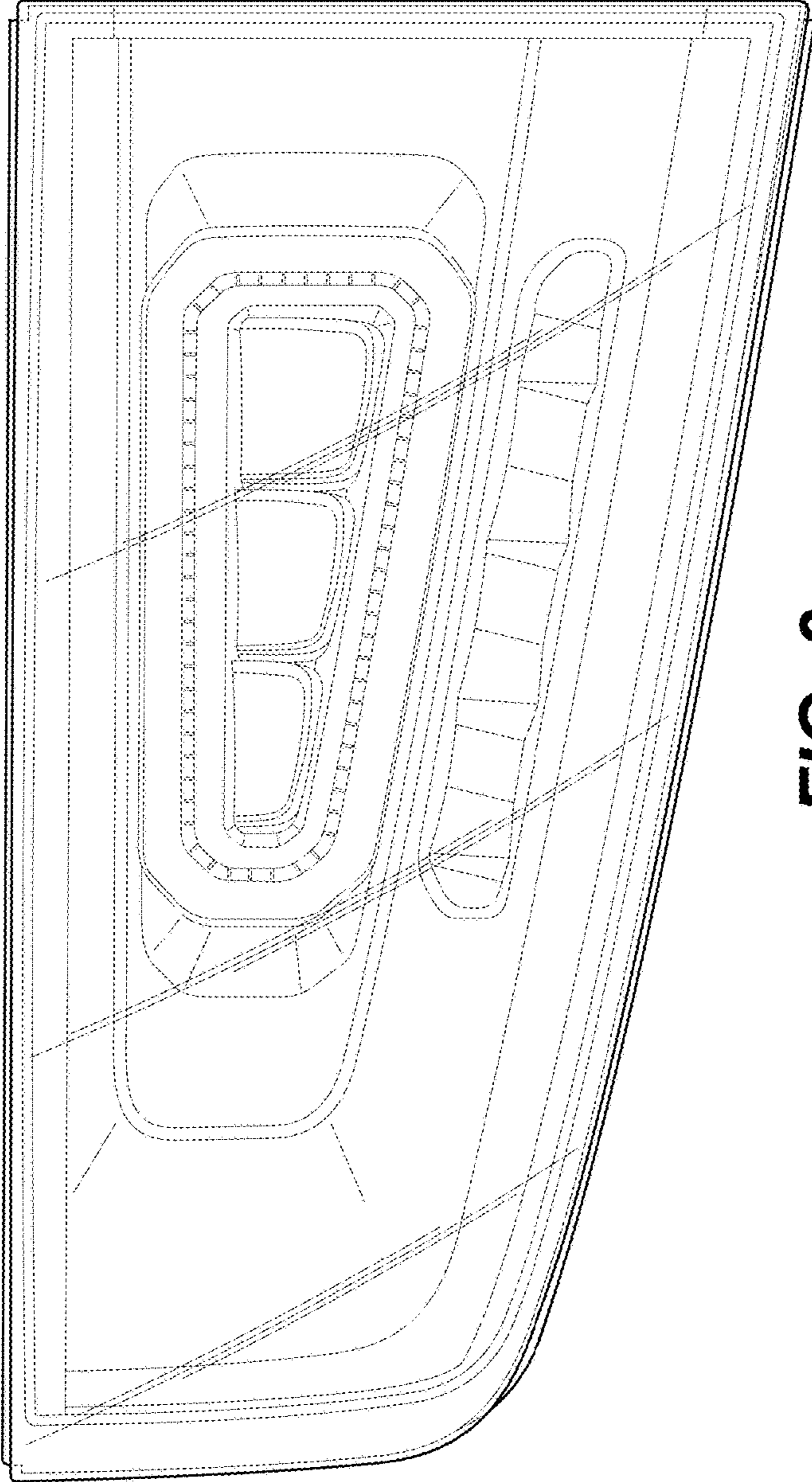


FIG. 9

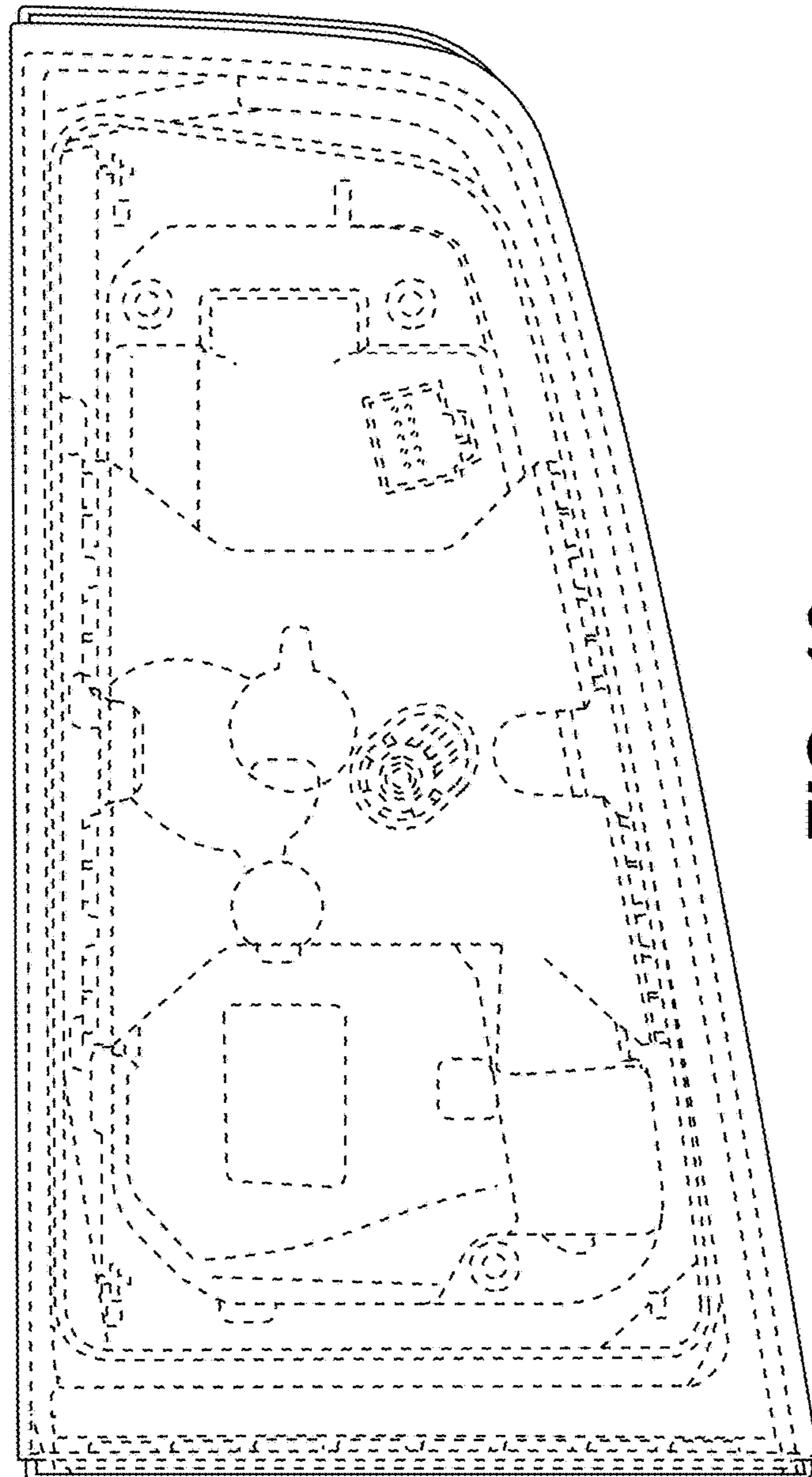


FIG. 10

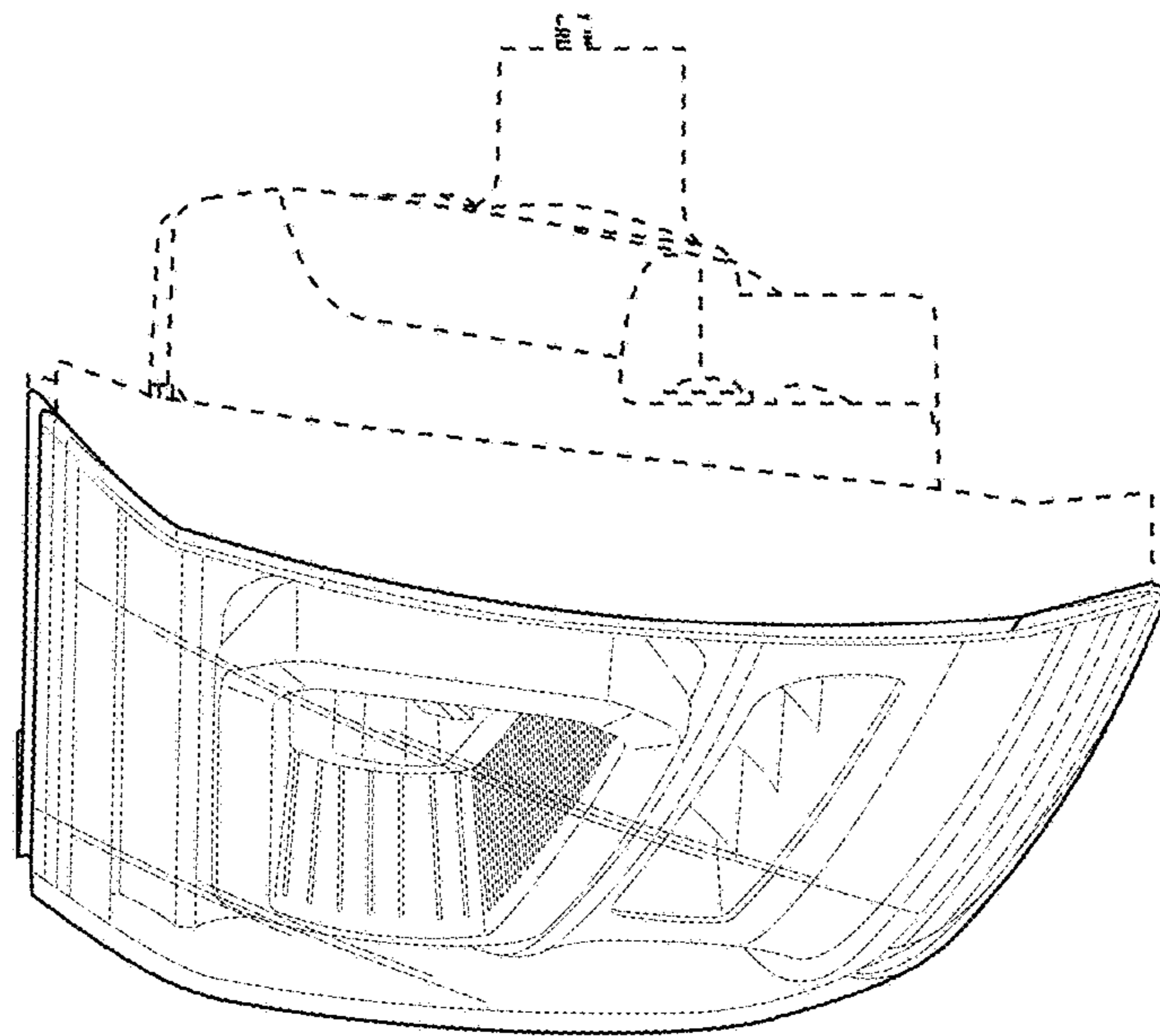


FIG. 11

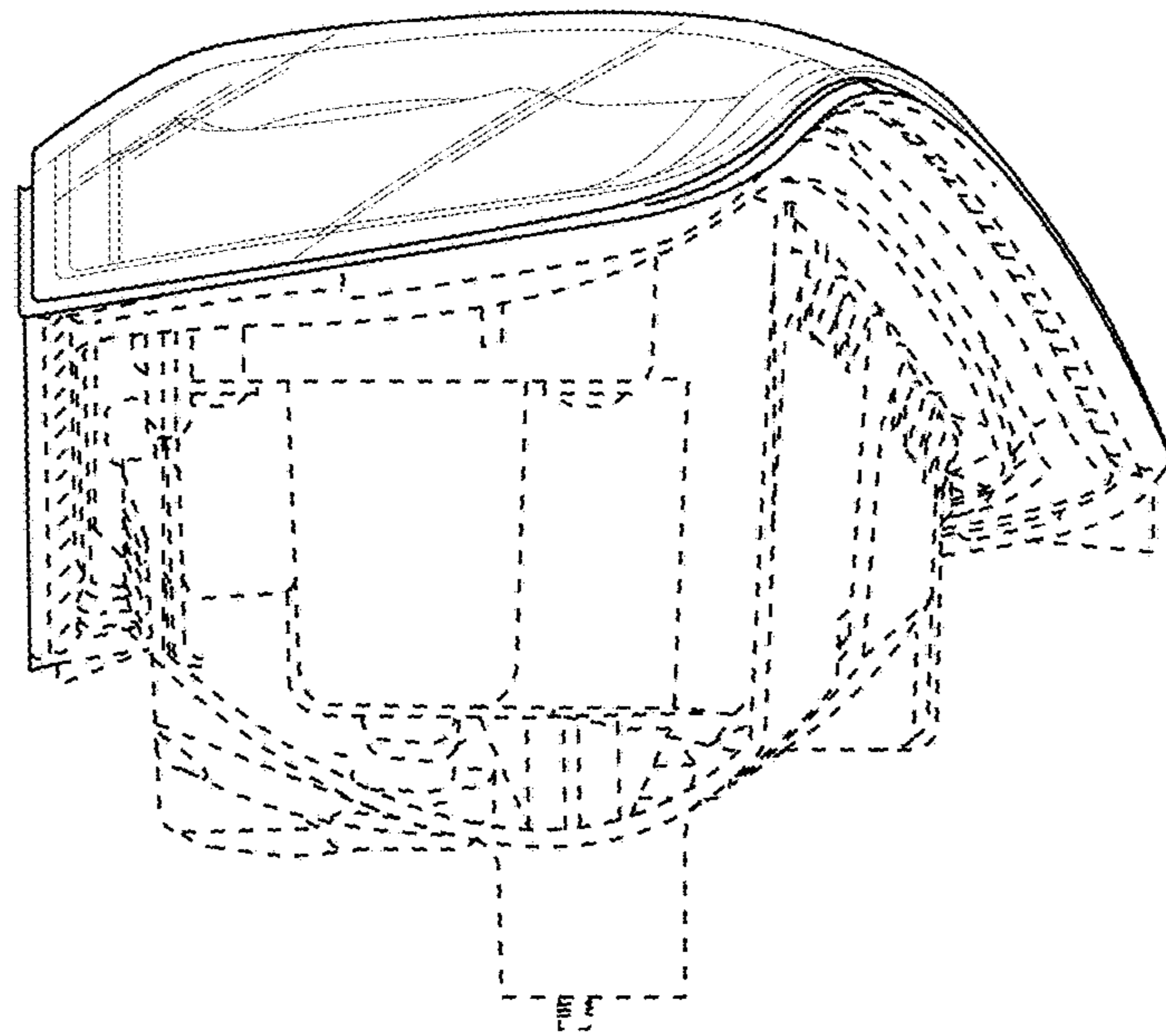


FIG. 12

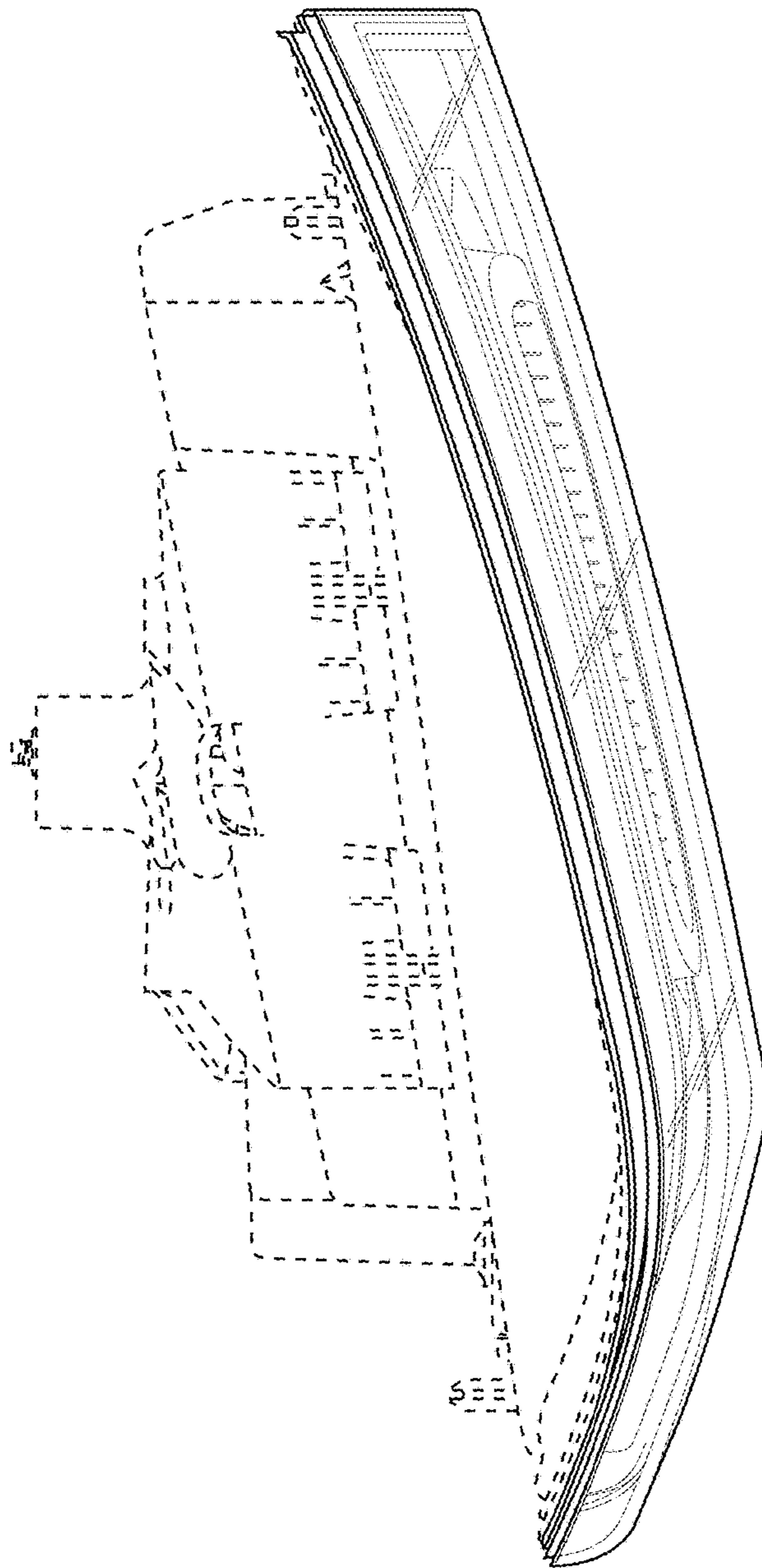


FIG. 13

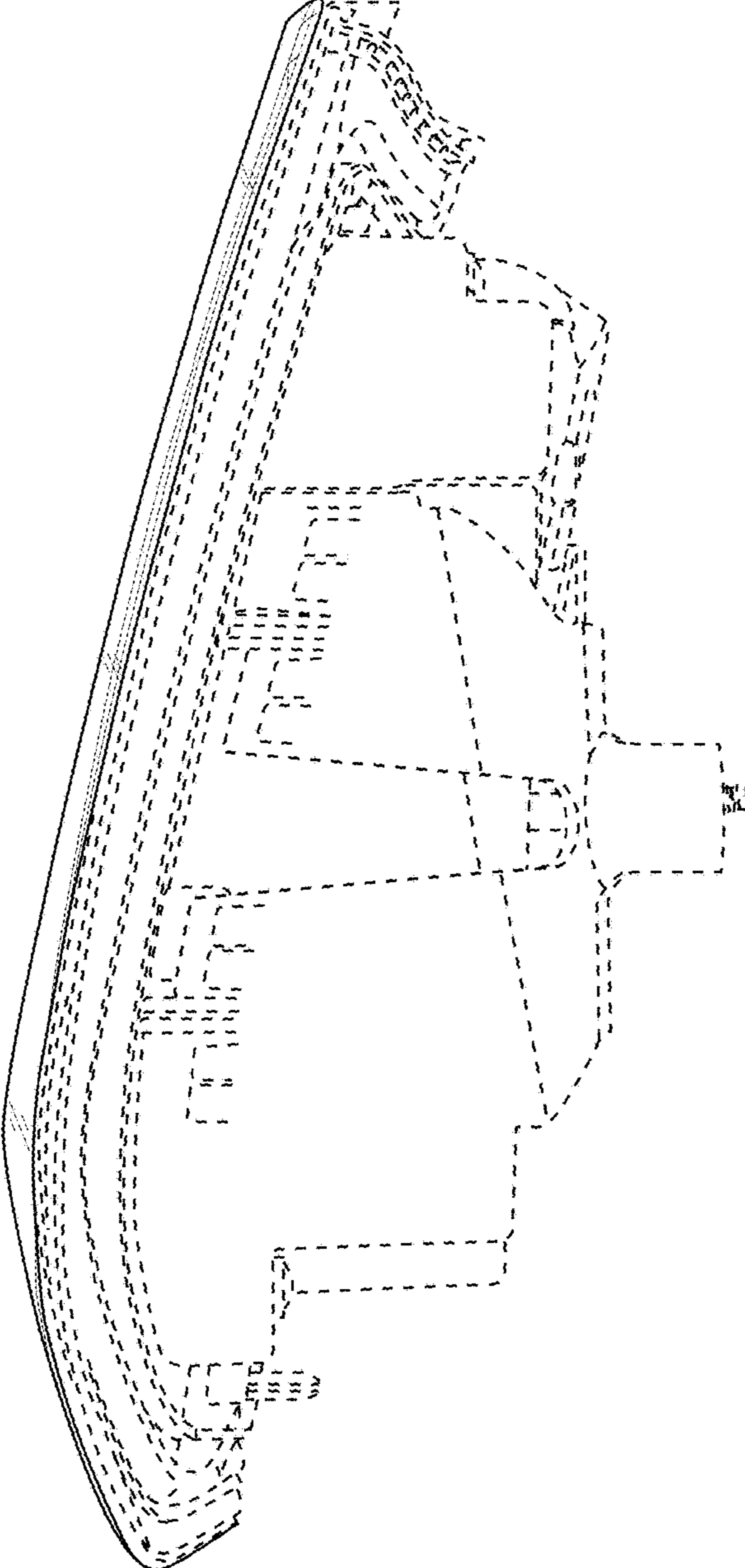


FIG. 14