

US00D861204S

(12) **United States Design Patent** (10) **Patent No.:** **US D861,204 S**
Chi (45) **Date of Patent:** **** Sep. 24, 2019**

- (54) **TAILLIGHT FOR VEHICLE**
- (71) Applicant: **Razer Auto, Inc.**, Upland, CA (US)
- (72) Inventor: **Samuel Chi**, Upland, CA (US)
- (73) Assignee: **Razer Auto, Inc.**, Upland, CA (US)
- (**) Term: **15 Years**
- (21) Appl. No.: **29/629,939**
- (22) Filed: **Dec. 18, 2017**

D625,034 S	10/2010	Metzger	
D632,814 S	2/2011	Chang	
D641,507 S	7/2011	Hu	
D643,559 S	8/2011	Seymour	
D643,955 S	8/2011	Tsai	
D673,701 S	1/2013	Davies	
D715,469 S	10/2014	Chou	
D760,406 S *	6/2016	Huang	D26/28
D788,958 S *	6/2017	Ko	D26/28
D793,592 S *	8/2017	Chen	D26/28
D796,095 S *	8/2017	Huang	D26/28
D798,475 S *	9/2017	Georgitsis	D26/28
D803,429 S *	11/2017	Martin	D26/28
D809,167 S *	1/2018	Chi	D26/28
D815,325 S *	4/2018	Chi	D26/31

Related U.S. Application Data

- (62) Division of application No. 29/579,238, filed on Sep. 28, 2016, now Pat. No. Des. 809,167.
- (51) **LOC (12) Cl.** **26-07**
- (52) **U.S. Cl.**
USPC **D26/28**
- (58) **Field of Classification Search**
USPC D26/28, 29, 30, 31, 32, 33, 34, 35, 36;
362/459-468, 475-478, 485-487
CPC F21S 48/00; F21S 48/10; F21S 48/115;
F21S 48/225; F21S 48/1233; F21S
48/1266; F21S 48/1388; F21S 48/2268;
F21V 21/04
See application file for complete search history.

* cited by examiner

Primary Examiner — Angela J Lee
(74) *Attorney, Agent, or Firm* — Eric Kelly

(57) **CLAIM**

The ornamental design for a taillight for vehicle, as shown and described.

DESCRIPTION

FIG. 1 illustrates a perspective view of a new and ornamental taillight for vehicle, according to one embodiment; FIG. 2 illustrates a front view thereof; FIG. 3 illustrates a back view thereof; FIG. 4 illustrates a right-side view thereof; FIG. 5 illustrates a left-side view thereof; FIG. 6 illustrates a top view thereof; FIG. 7 illustrates a bottom view thereof; and, FIG. 8 illustrates a perspective view of the taillight for vehicle of FIG. 6.

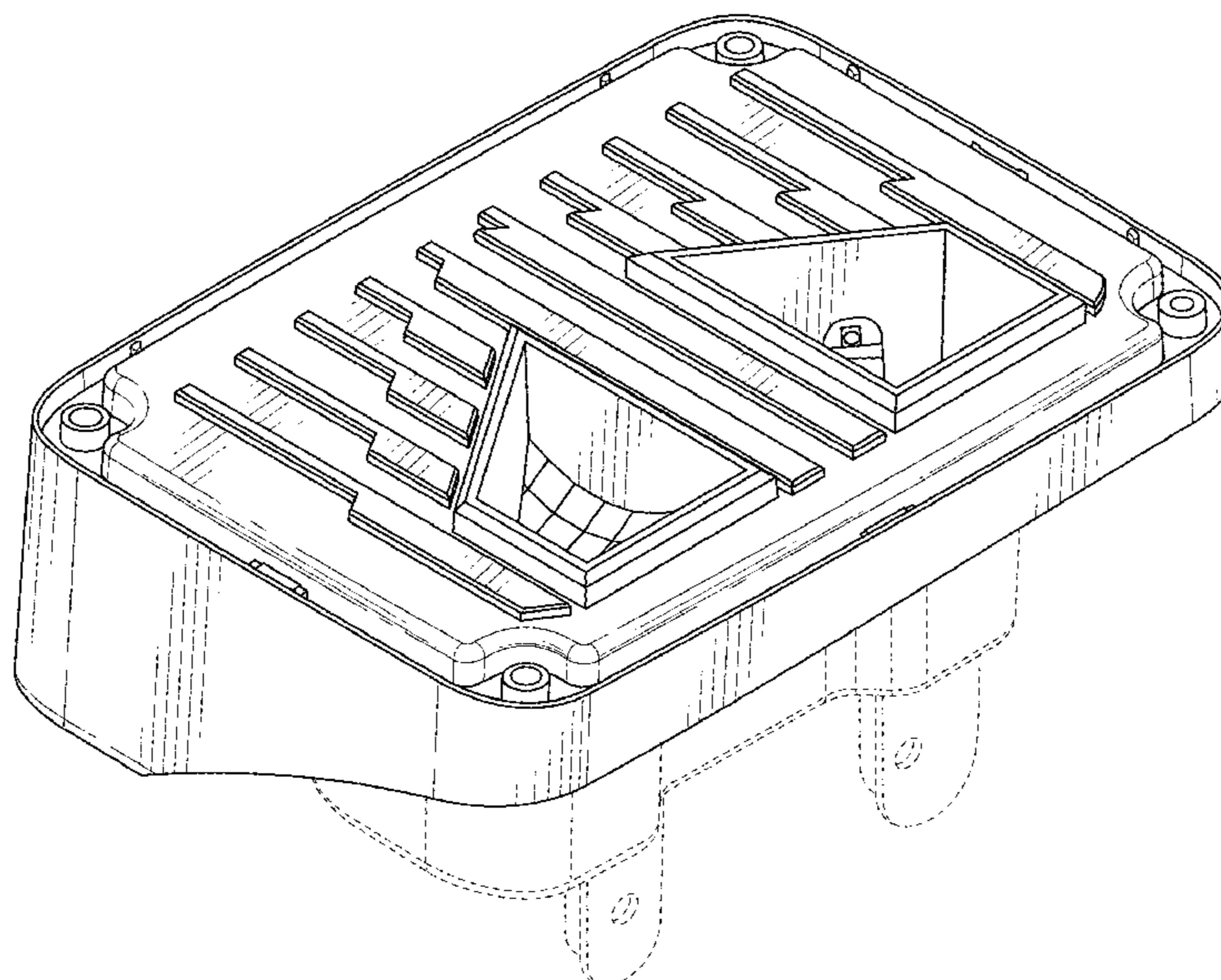
The broken lines in the figures depict portions of the taillight for vehicle that form no part of the claimed design.

1 Claim, 8 Drawing Sheets

(56) **References Cited**

U.S. PATENT DOCUMENTS

D436,194 S	1/2001	Reinbach
D441,678 S	5/2001	Lyons
D489,466 S	5/2004	Dohogne
D530,437 S	10/2006	Neufeglise
D579,590 S	10/2008	Lassen
D586,012 S	2/2009	Lin



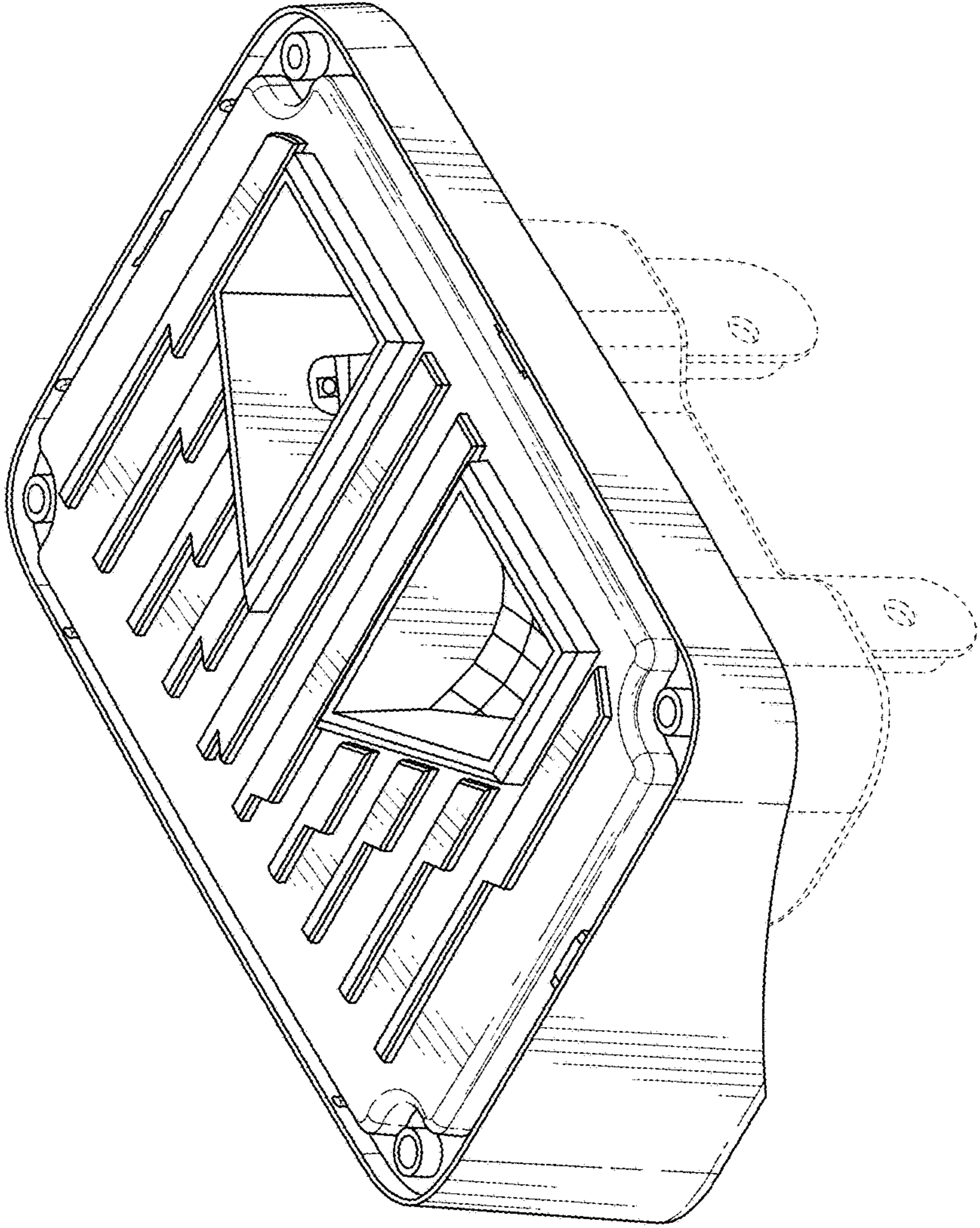


FIG. 1

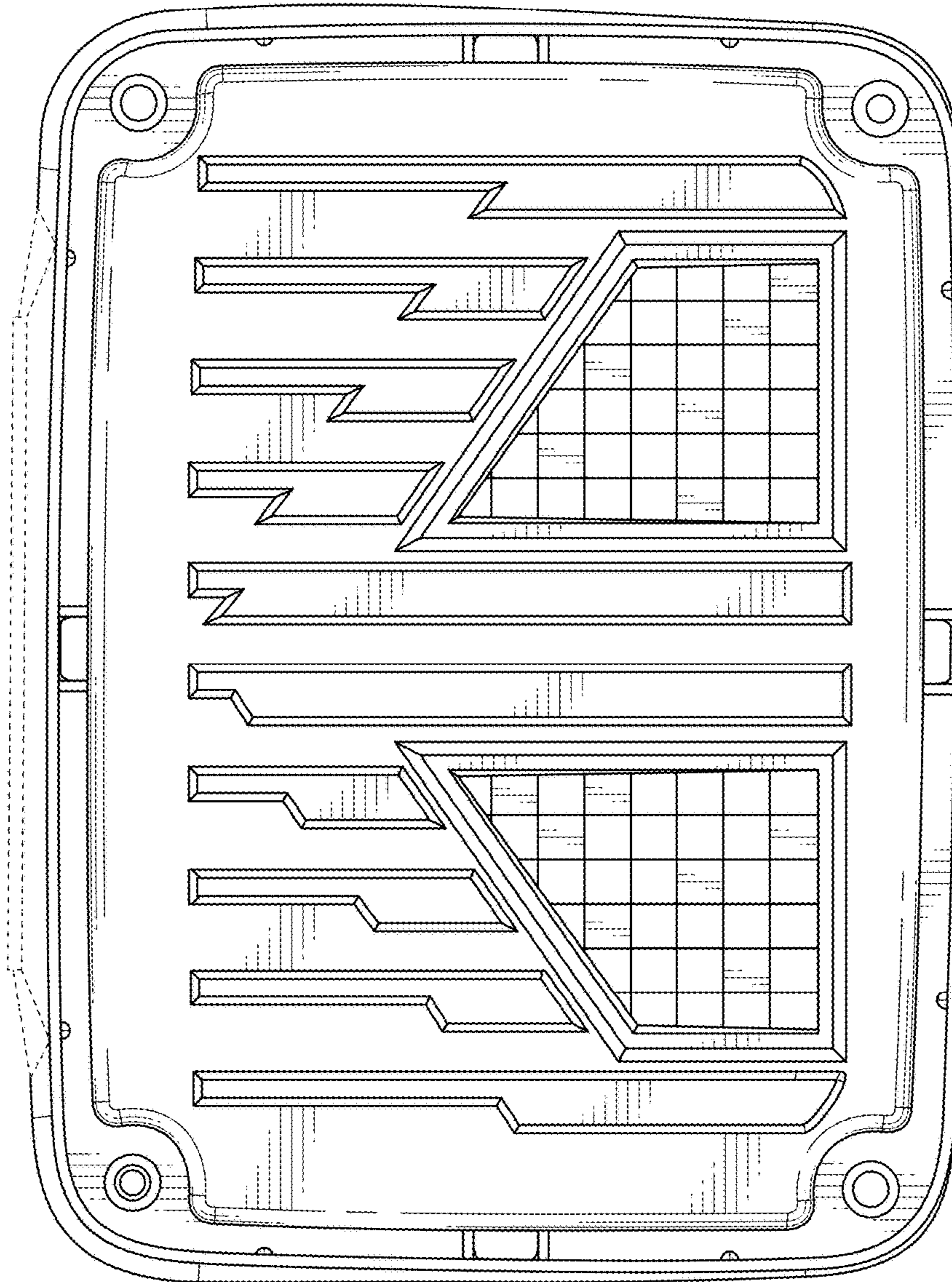


FIG. 2

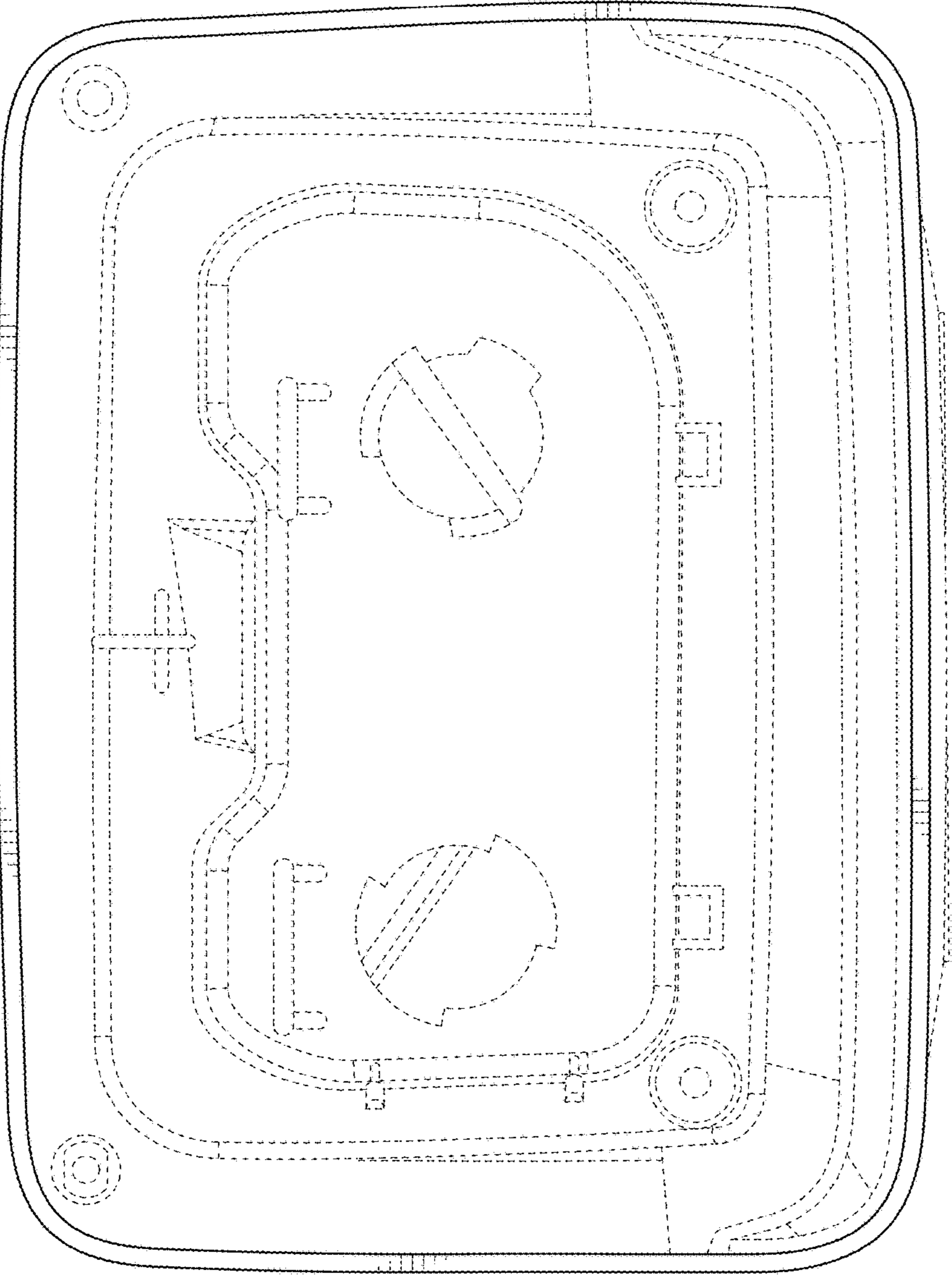


FIG. 3

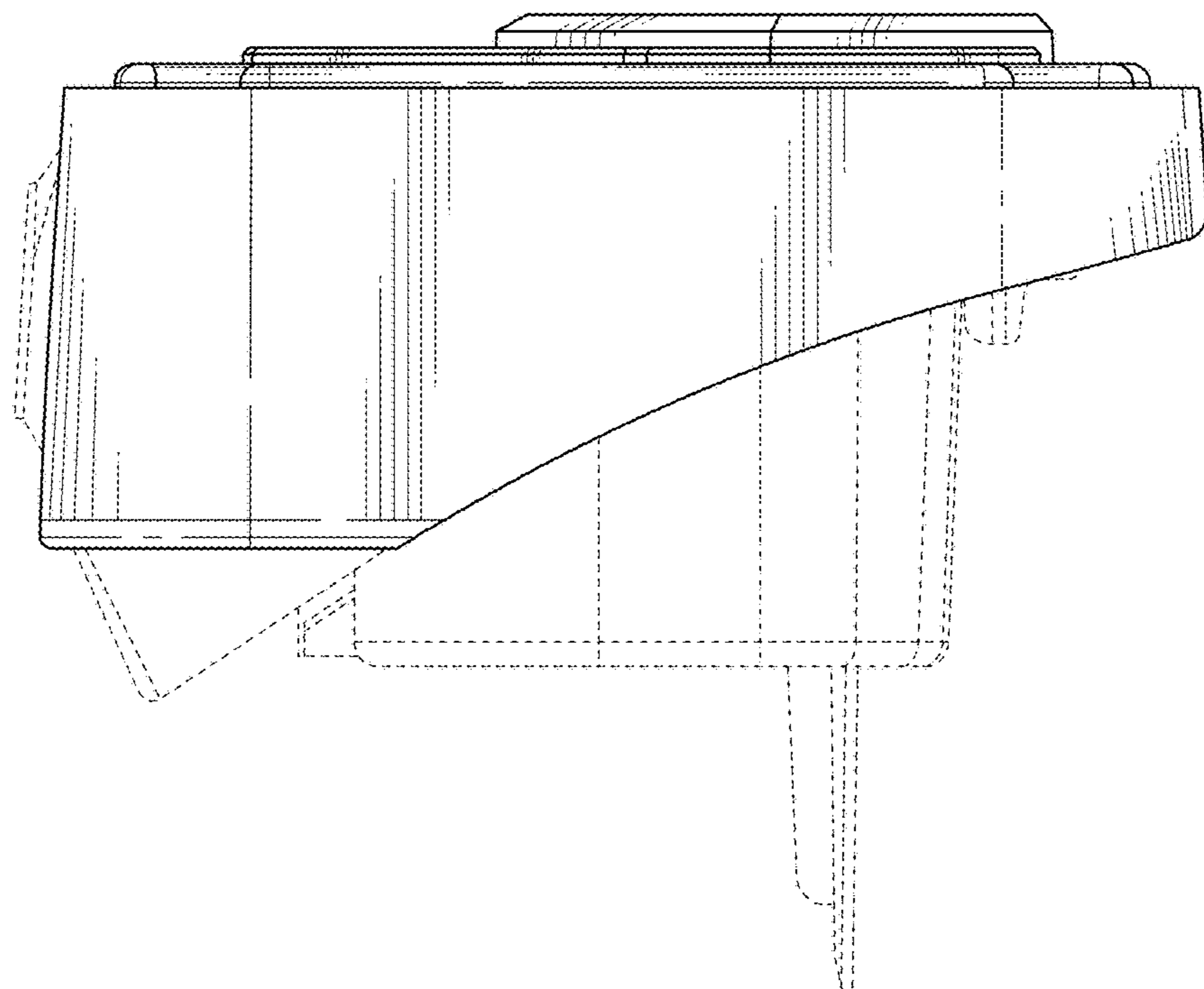


FIG. 4

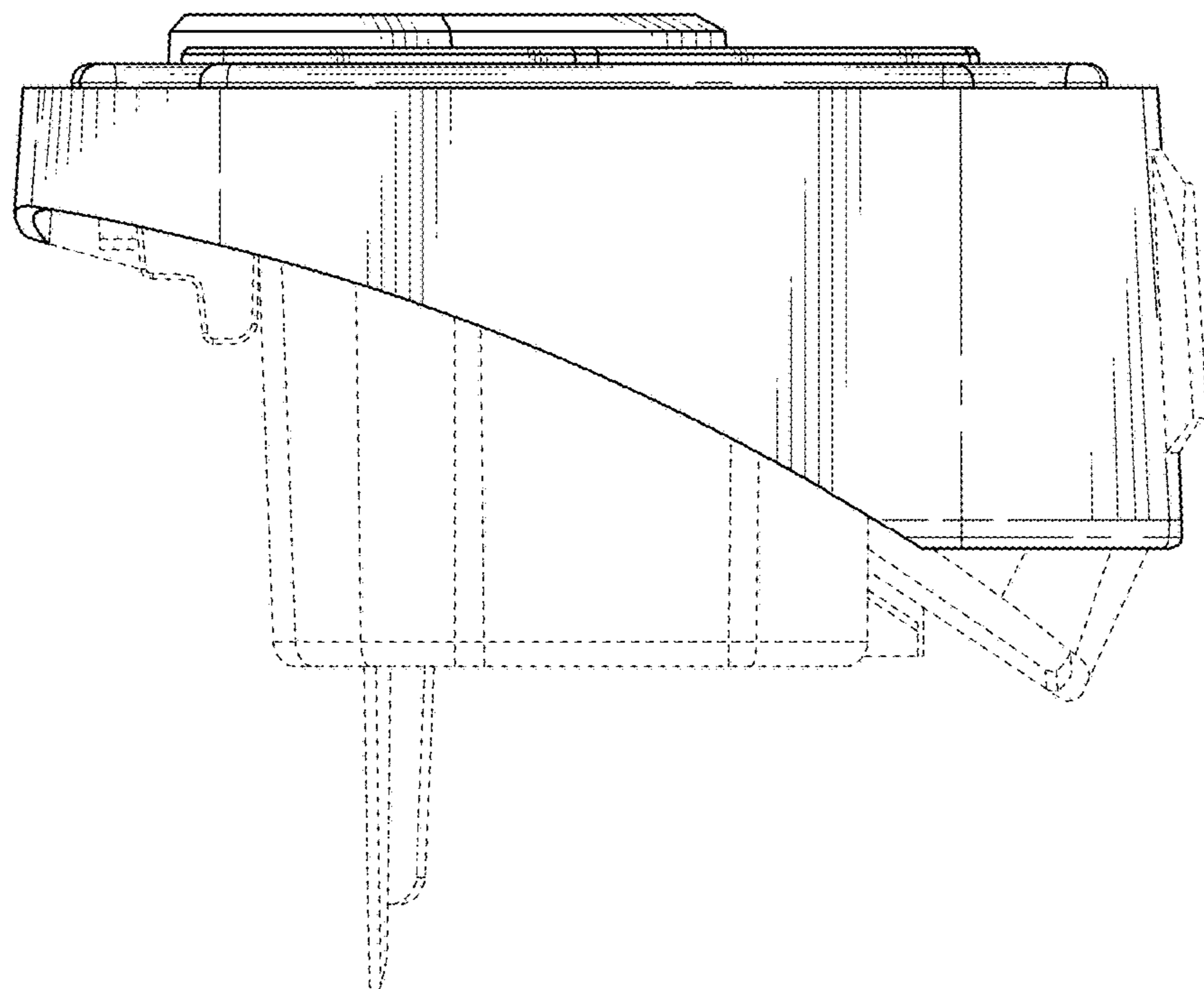


FIG. 5

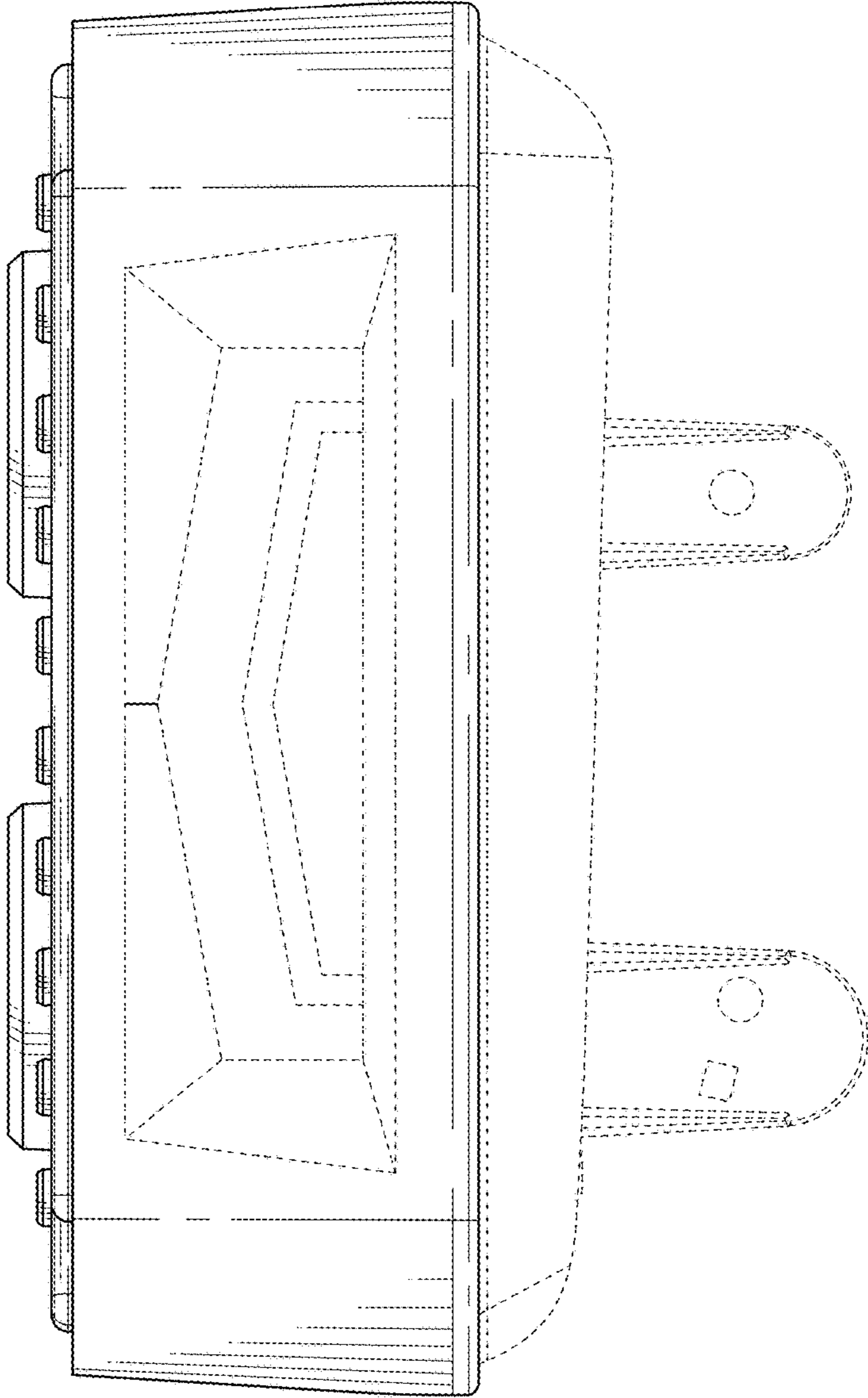


FIG. 6

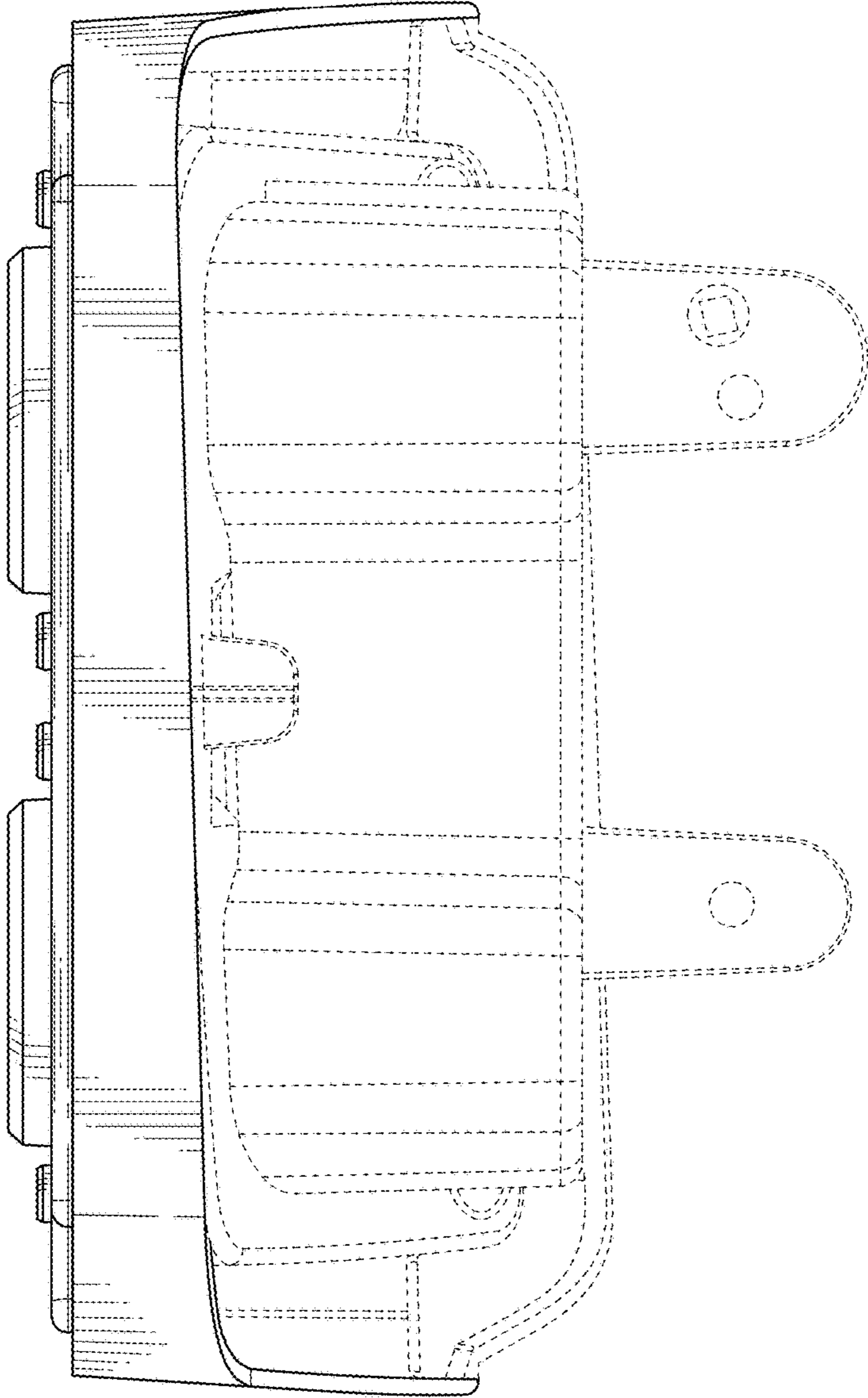


FIG. 7

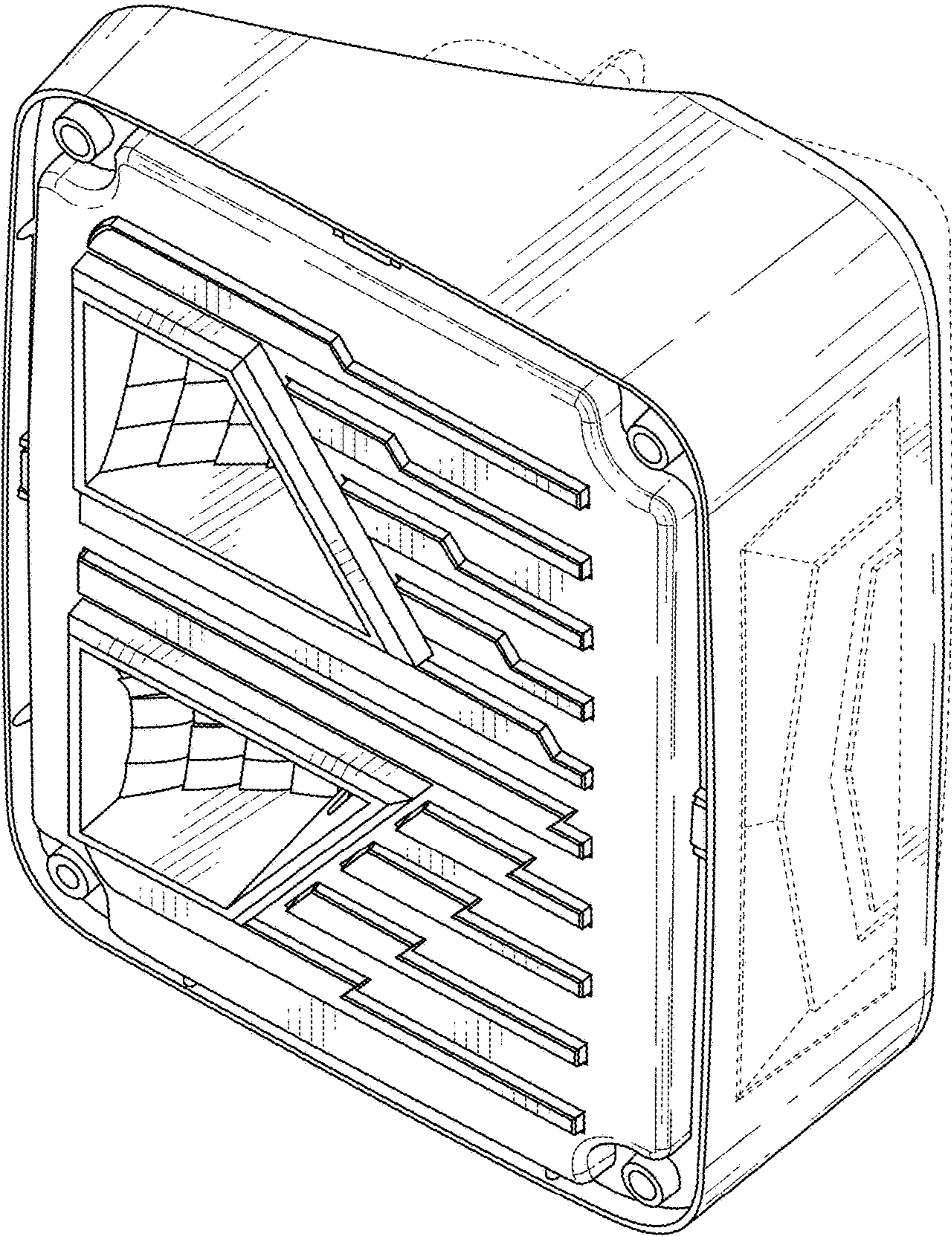


FIG. 8