



US00D861202S

(12) **United States Design Patent** (10) **Patent No.:** **US D861,202 S**
Renvall (45) **Date of Patent:** **** Sep. 24, 2019**

(54) **LED LIGHT**

(71) Applicant: **Anders Renvall**, Nykarleby (FI)

(72) Inventor: **Anders Renvall**, Nykarleby (FI)

(73) Assignee: **HERRMANS OY AB**, Pietarsaari (FI)

(**) Term: **15 Years**

(21) Appl. No.: **29/620,914**

(22) Filed: **Aug. 17, 2017**

(30) **Foreign Application Priority Data**

Feb. 17, 2017 (EM) 003757137-0007

(51) **LOC (12) Cl.** **26-06**

(52) **U.S. Cl.**
USPC **D26/28; D26/63**

(58) **Field of Classification Search**
USPC D26/24, 28, 63, 66, 67, 74, 118;
D14/371

CPC F21V 21/30; F21V 29/74; F21V 29/763;
F21V 5/045; F21V 15/01; F21V 23/007;
F21V 29/76; F21V 5/048; F21Y 2115/10;
F21S 45/47

See application file for complete search history.

(56) **References Cited**

U.S. PATENT DOCUMENTS

D688,399 S * 8/2013 Adams D26/28
D694,928 S * 12/2013 Chen D26/63
D698,477 S * 1/2014 Korpi D26/63
D735,908 S * 8/2015 Ko D26/28
D736,443 S * 8/2015 Weyse D26/63
D737,482 S * 8/2015 Kuge D26/28
D739,064 S * 9/2015 Heiner D26/63
D747,516 S * 1/2016 Yang D26/28
D748,831 S * 2/2016 Fan D26/28
D754,891 S * 4/2016 Leban D26/28

D766,473 S * 9/2016 Riedel D26/28
D780,357 S * 2/2017 Kliegl D26/63
D788,334 S * 5/2017 Jacq D26/28
D799,080 S * 10/2017 Dennis D26/28
D810,973 S * 2/2018 Jacq D26/28
D827,883 S * 9/2018 Deyaf D26/28
2007/0076413 A1 * 4/2007 Mingozi F21V 29/004
362/249.01

OTHER PUBLICATIONS

“YouTube—Nordic Lights—Go Series LED Lights—Agriculture.”
Found online Jan. 2, 2019 at www.youtube.com. Video published
May 15, 2017. Retrieved from URL: [https://www.youtube.com/
watch?v=7D6gnr5vWjw](https://www.youtube.com/watch?v=7D6gnr5vWjw) (Year: 2017).*

“6KLED 3.5inch 18W Off Road Round LED Work Light.” Found
online Jan. 18, 2019 at www.amazon.com. Page dated Mar. 10,
2016. Retrieved from URL: [https://www.amazon.com/6KLED-
Automotive-Motorcycle-Bowfishing-Auxiliary/dp/B01CTG55TI](https://www.amazon.com/6KLED-Automotive-Motorcycle-Bowfishing-Auxiliary/dp/B01CTG55TI) (Year:
2016).*

(Continued)

Primary Examiner — Garth Rademaker
Assistant Examiner — Katelin G Kloberg

(74) *Attorney, Agent, or Firm* — Hoffmann & Baron, LLP

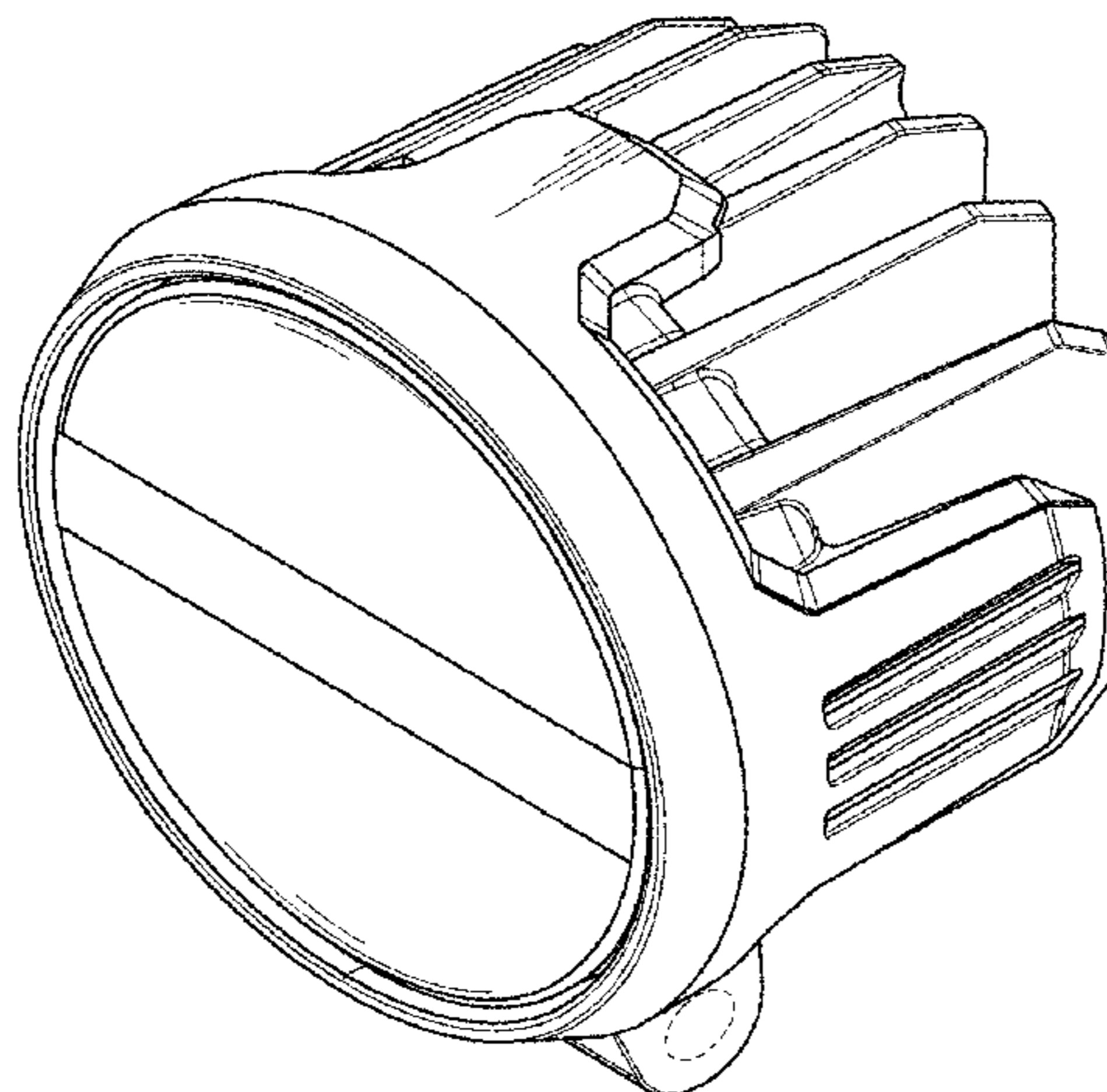
(57) **CLAIM**

The ornamental design for a LED light, as shown and
described.

DESCRIPTION

FIG. 1 is a perspective view showing the front, top and left
side of an LED light of my new design;
FIG. 2 is a front view thereof;
FIG. 3 is a rear view thereof;
FIG. 4 is a right side view thereof;
FIG. 5 is a left side view thereof;
FIG. 6 is a bottom view thereof; and,
FIG. 7 is a top view of the claimed design.

1 Claim, 4 Drawing Sheets



(56)

References Cited

OTHER PUBLICATIONS

"4.5inch Round LED Off Road Lights." Found online Jan. 18, 2019 at www.amazon.com. Page dated Jan. 5, 2017. Retrieved from URL: <https://tinyurl.com/ybzzqokc> (Year: 2017).*

"LED Pods." Found online Jan. 18, 2019 at www.amazon.com. Page dated Jun. 11, 2018. Retrieved from URL: https://www.amazon.com/dp/B07G91BY56/ref=sspa_dk_detail_8?psc=1 (Year: 2018).*

* cited by examiner

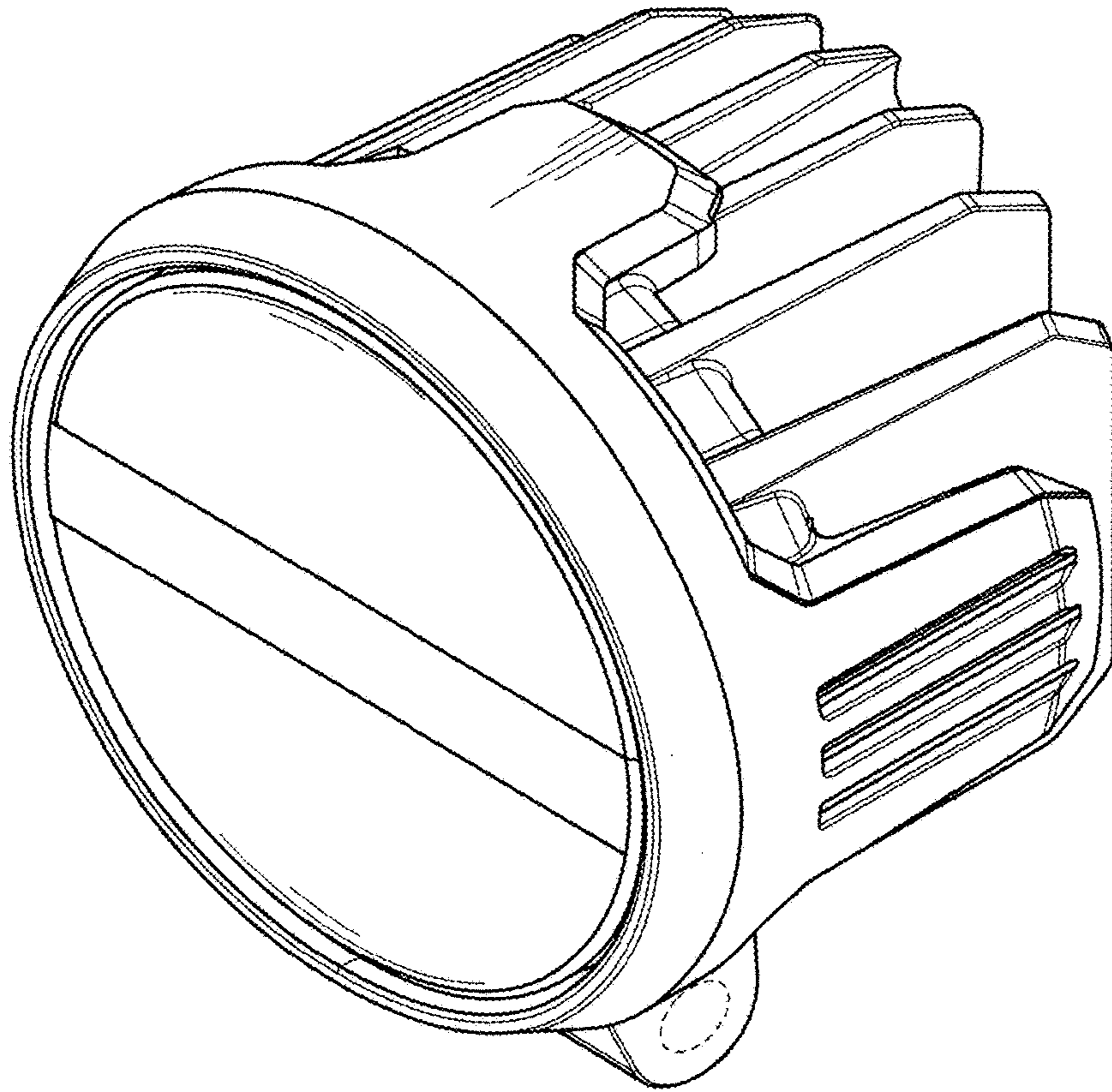


FIG. 1

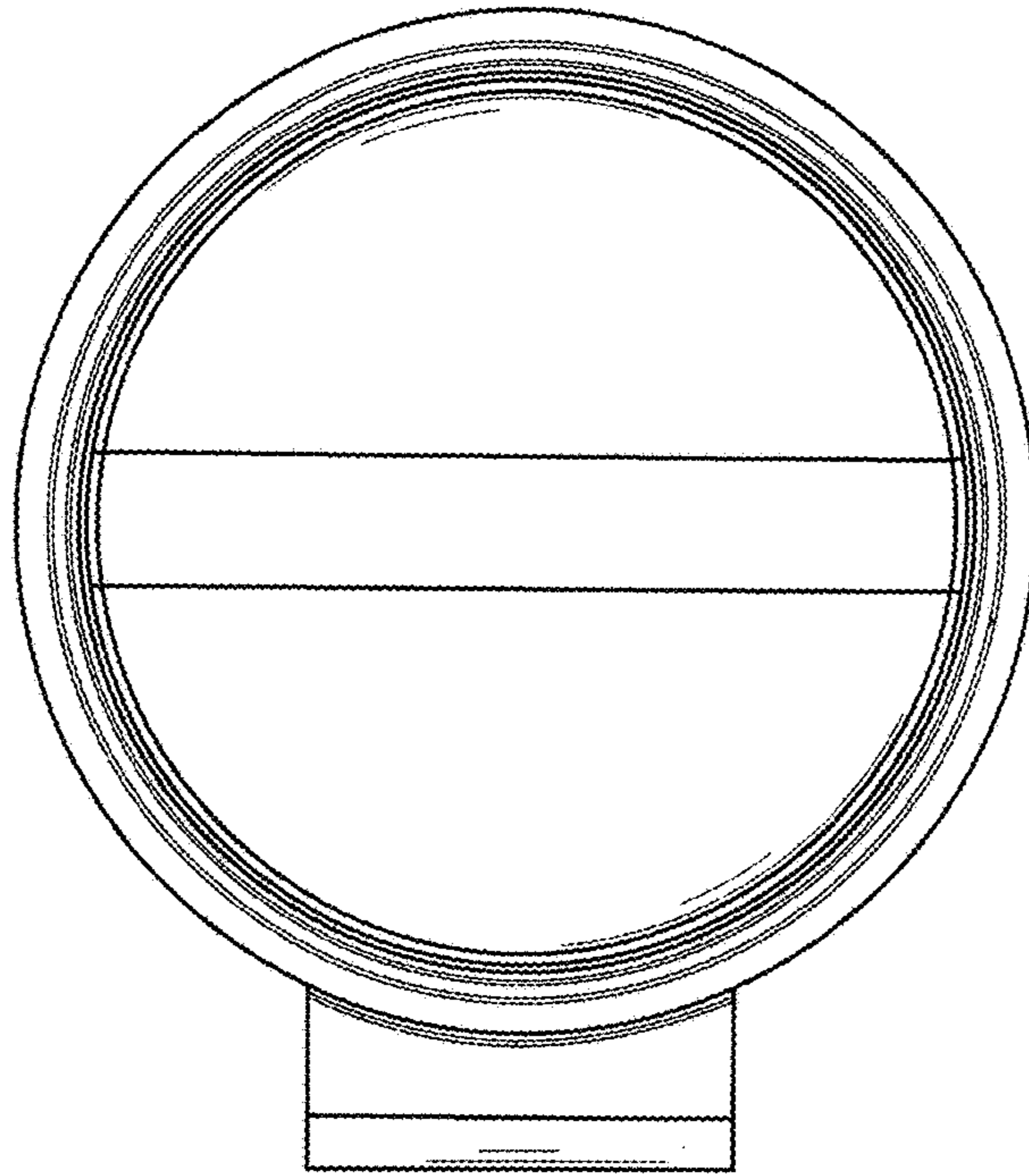


FIG. 2

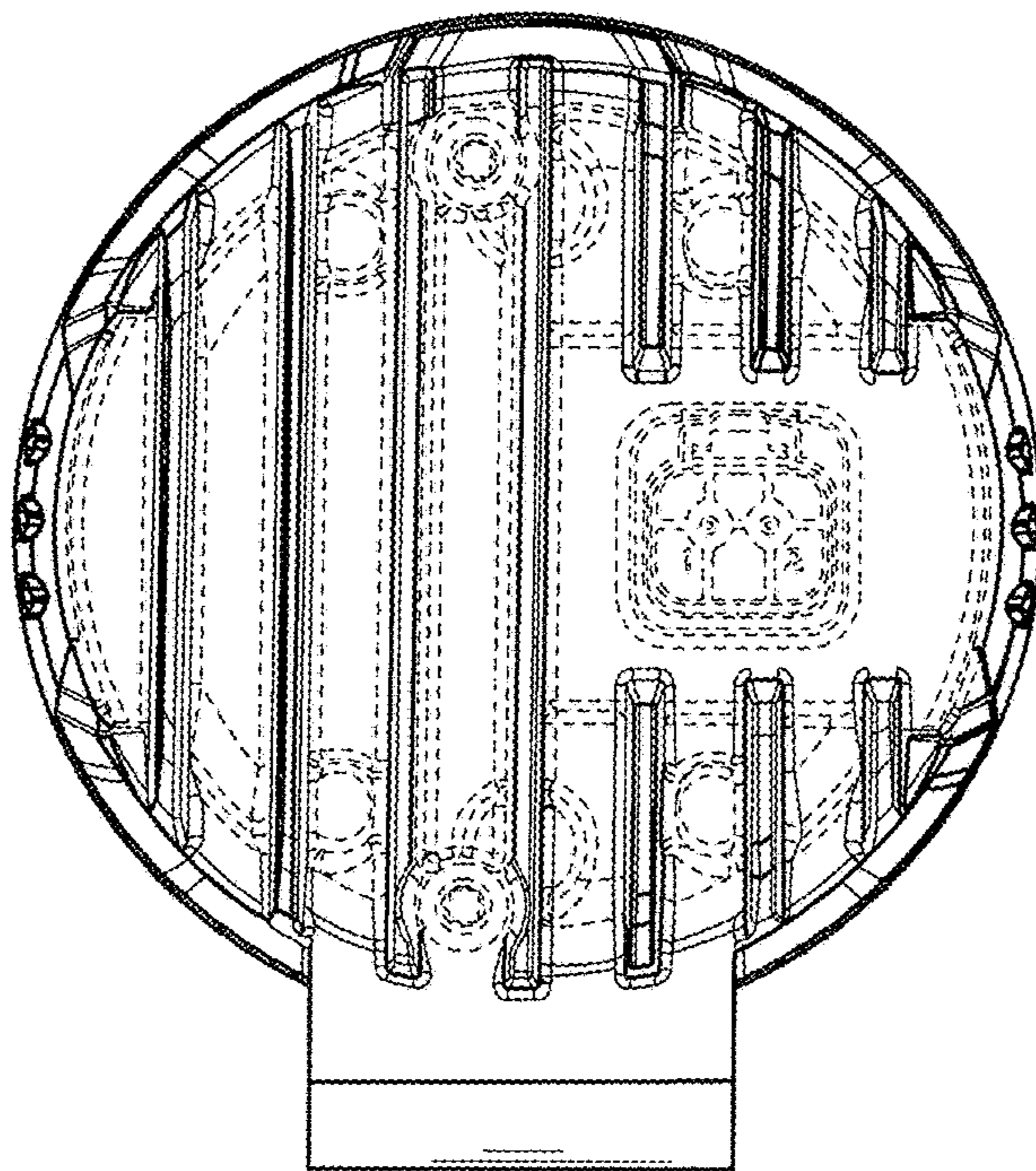


FIG. 3

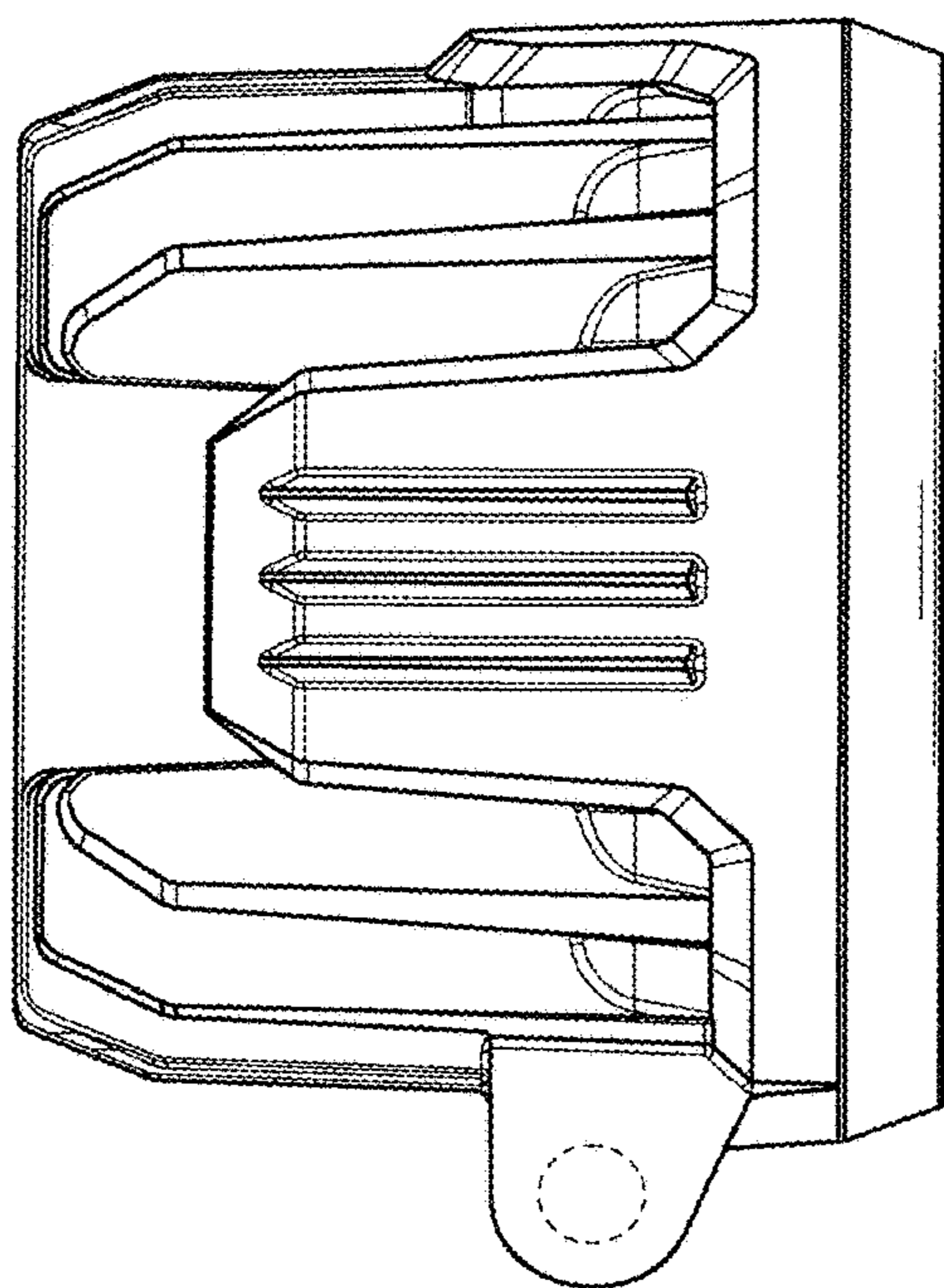


FIG. 4

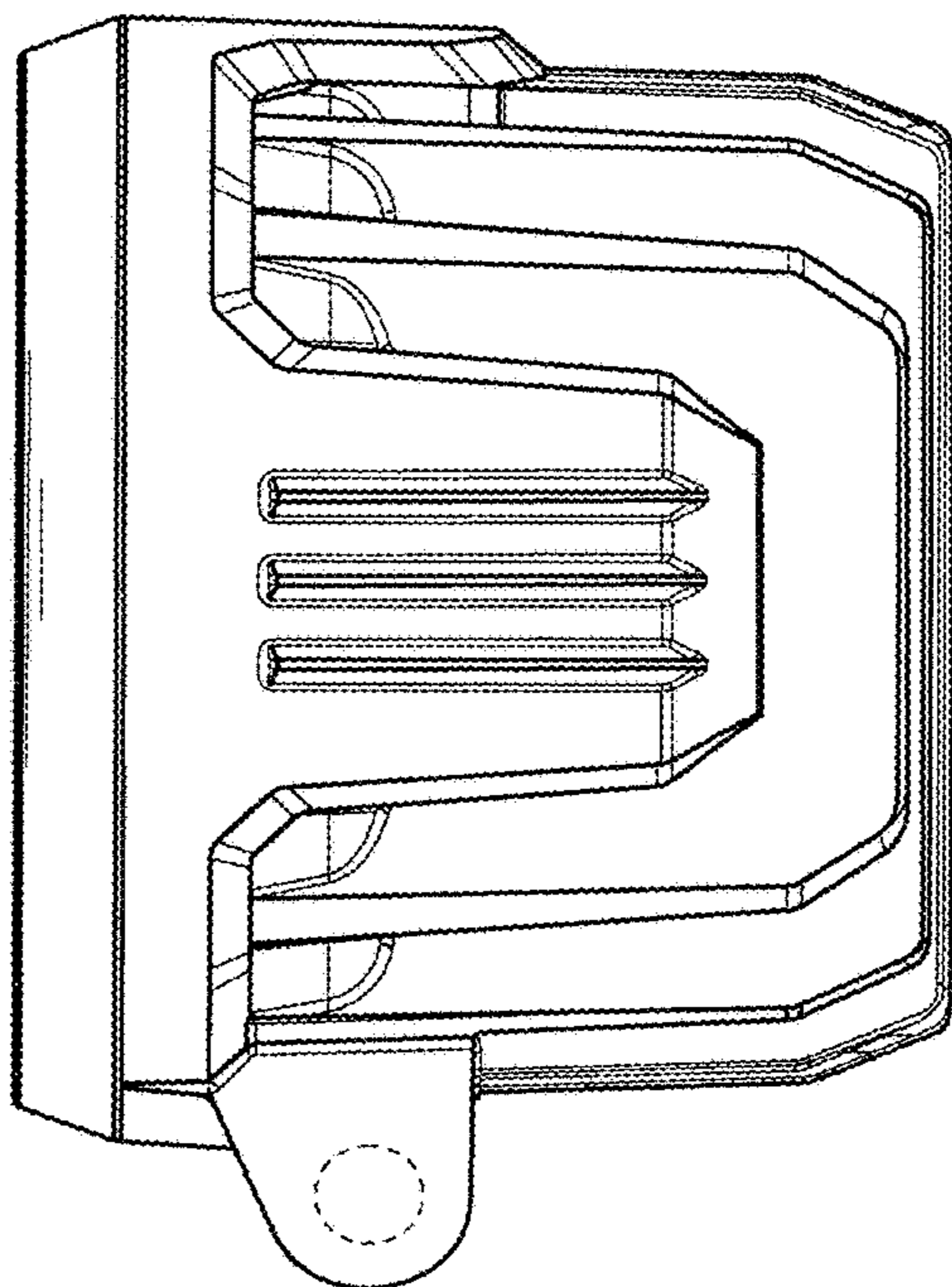


FIG. 5

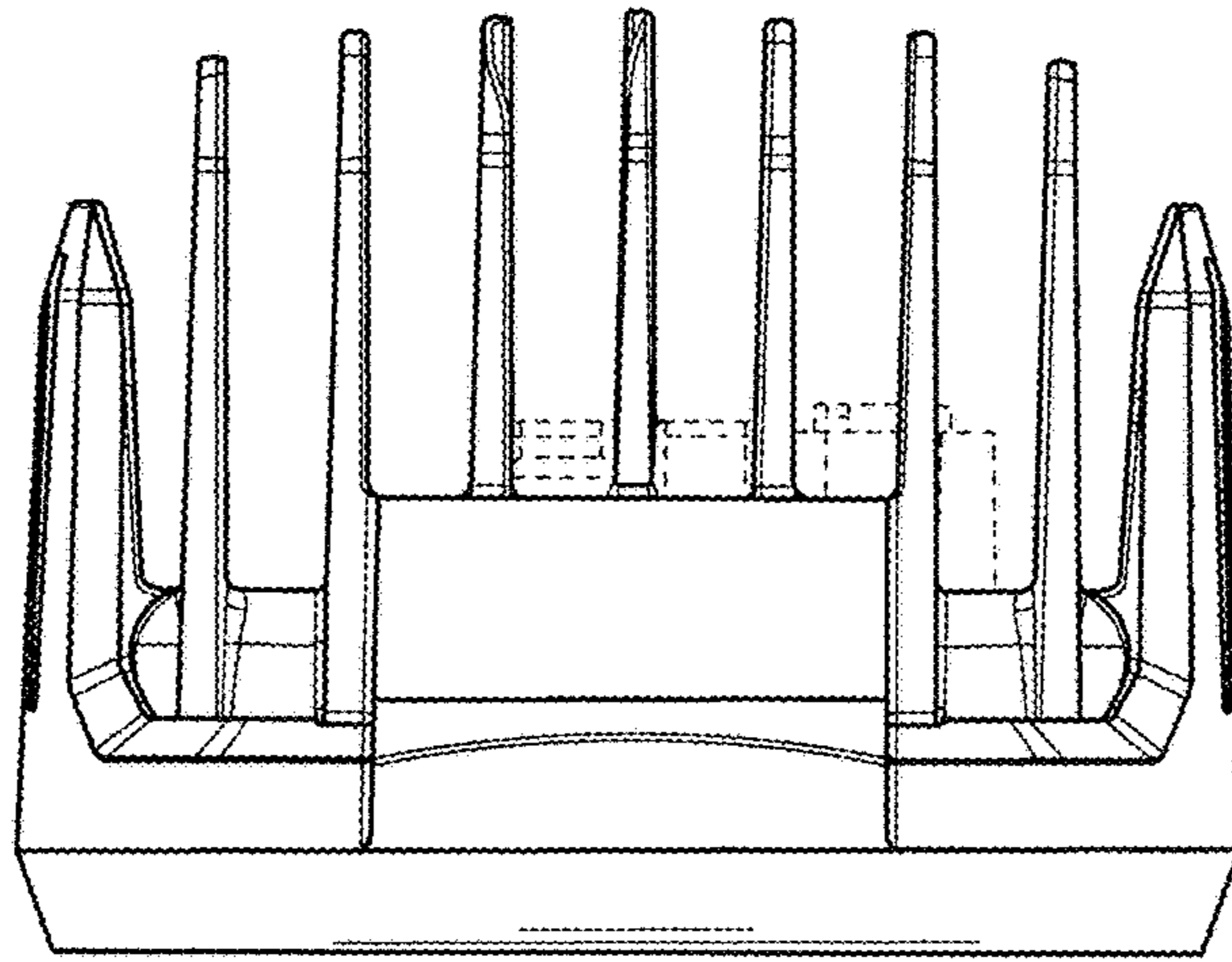


FIG. 6

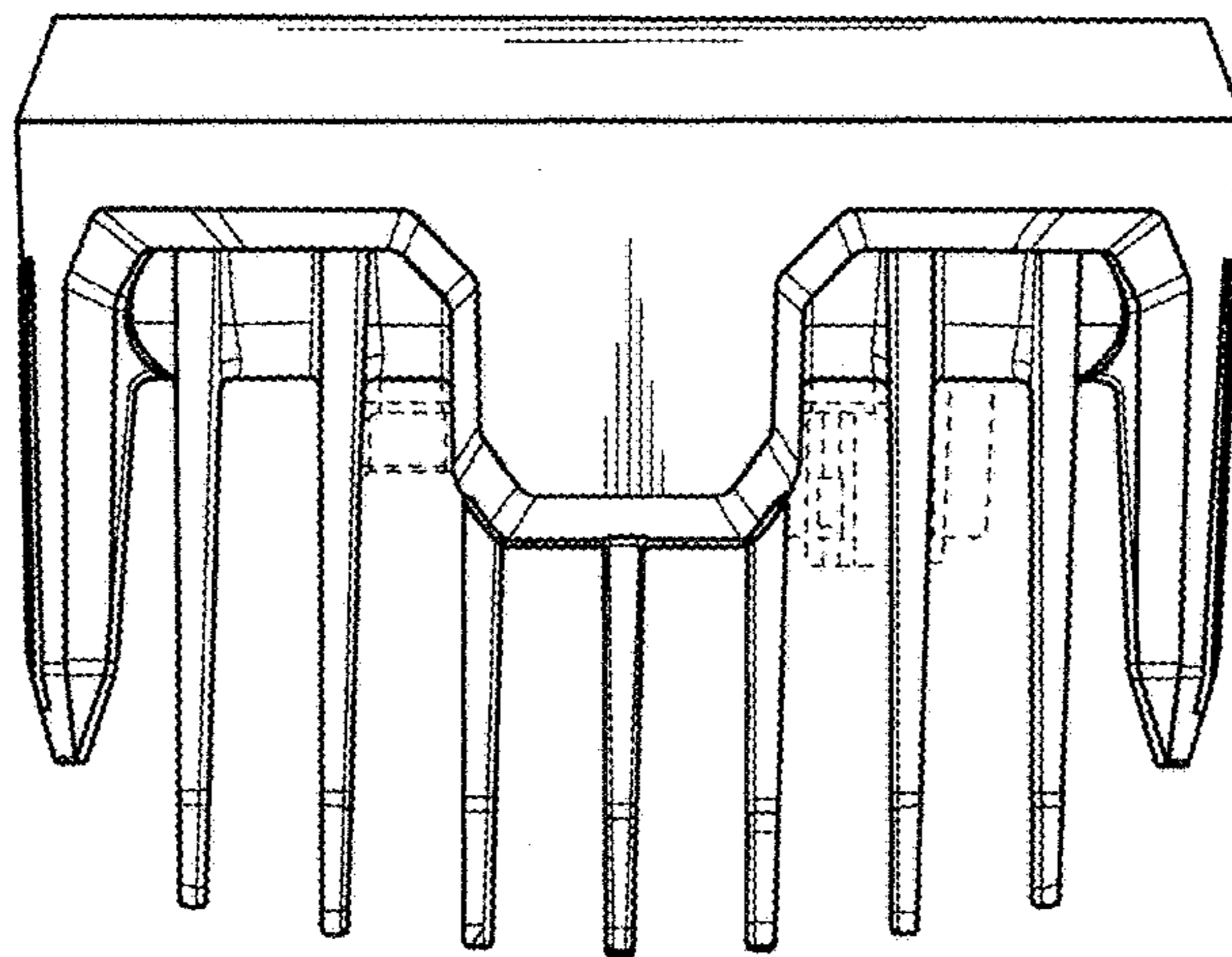


FIG. 7