



US00D861197S

(12) **United States Design Patent**
Lee et al.

(10) **Patent No.:** **US D861,197 S**
(45) **Date of Patent:** **** Sep. 24, 2019**

(54) **PAVER SUPPORT**
(71) Applicant: **Elmich Pte Ltd**, Singapore (SG)
(72) Inventors: **Alan Sian Ghee Lee**, Singapore (SG);
Henry Greaves, Watsons Bay (AU);
Kok-Hua Lim, Singapore (SG)
(73) Assignee: **ELMICH PTE LTD.**, Singapore (SG)
(**) Term: **15 Years**
(21) Appl. No.: **29/626,039**
(22) Filed: **Nov. 14, 2017**

D608,917 S * 1/2010 Ward D13/199
D625,846 S * 10/2010 Scott D25/199
D733,528 S * 7/2015 Lee D8/354
D736,420 S * 8/2015 Somerfield D25/199
9,482,014 B2 * 11/2016 Lee E04F 15/02044
2015/0053835 A1 * 2/2015 Lee E04F 15/02044
248/346.06

(30) **Foreign Application Priority Data**
May 17, 2017 (AU) 201712952
(51) **LOC (12) Cl.** **08-05**
(52) **U.S. Cl.**
USPC **D25/199**
(58) **Field of Classification Search**
USPC D8/349, 352, 354, 355, 356, 358, 359,
D8/375, 380, 499; D10/62, 66, 69, 74;
D25/199; D34/31
CPC E04F 15/02044; E01C 3/006
See application file for complete search history.

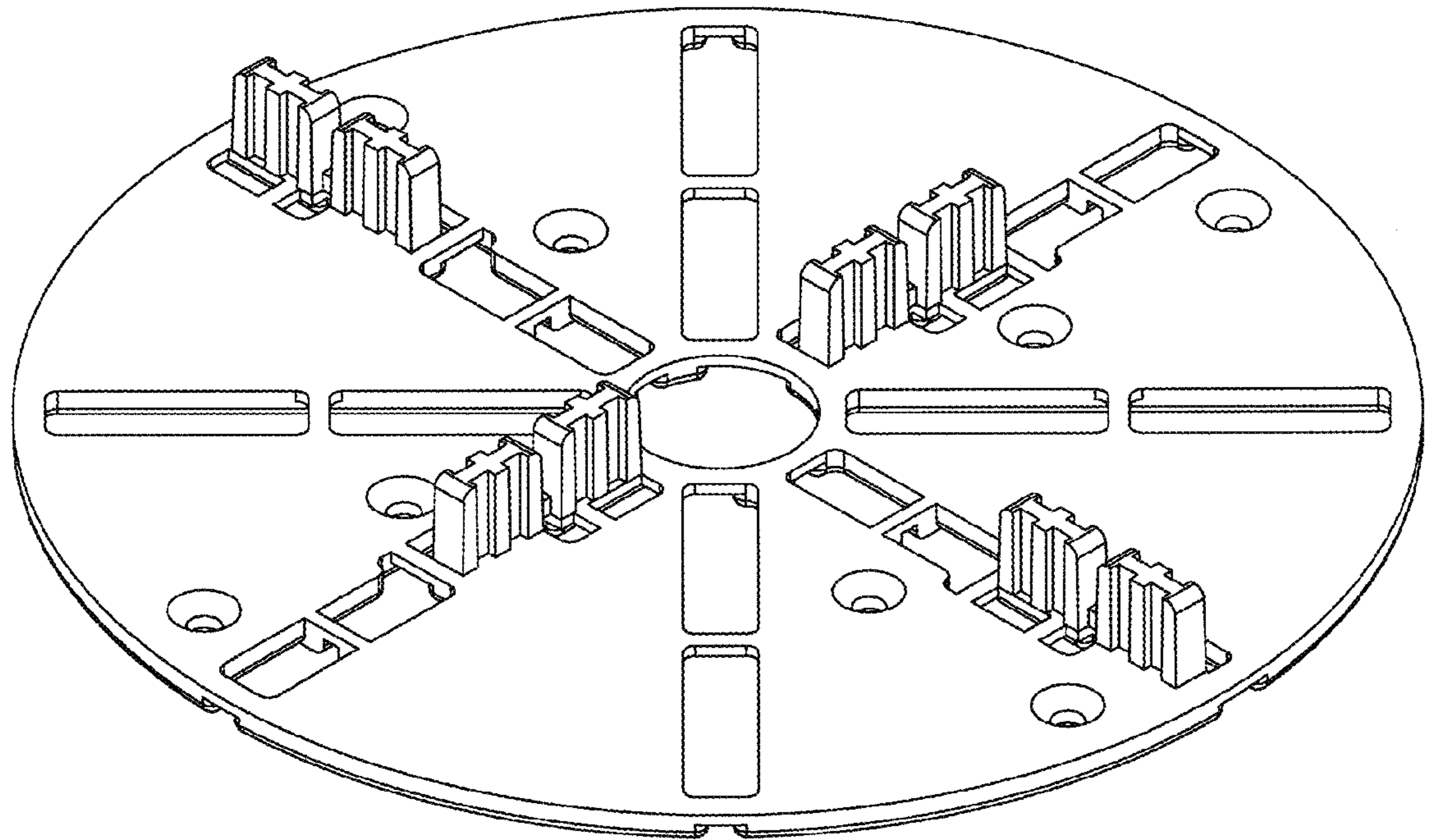
(56) **References Cited**
U.S. PATENT DOCUMENTS
3,961,453 A * 6/1976 Couwenbergs E04D 11/005
52/509
D557,830 S * 12/2007 Lee D25/199

OTHER PUBLICATIONS
Elmich Variable Angle Spacer Tab <http://elmich.com/asia/products/variable-angle-spacer-tab/> May 2016 (Year: 2016).*
* cited by examiner
Primary Examiner — Leanne Was-Englehart

(57) **CLAIM**
The ornamental design for a paver support, as shown and described.

DESCRIPTION
FIG. 1 is a top plan view of a paver support;
FIG. 2 is a bottom plan view of the paver support;
FIG. 3 is a front view of the paver support;
FIG. 4 is a back view of the paver support;
FIG. 5 is a right side view of the paver support;
FIG. 6 is a left side view of the paver support;
FIG. 7 is a top isometric view of the paver support; and,
FIG. 8 is a bottom isometric view of the paver support.

1 Claim, 8 Drawing Sheets



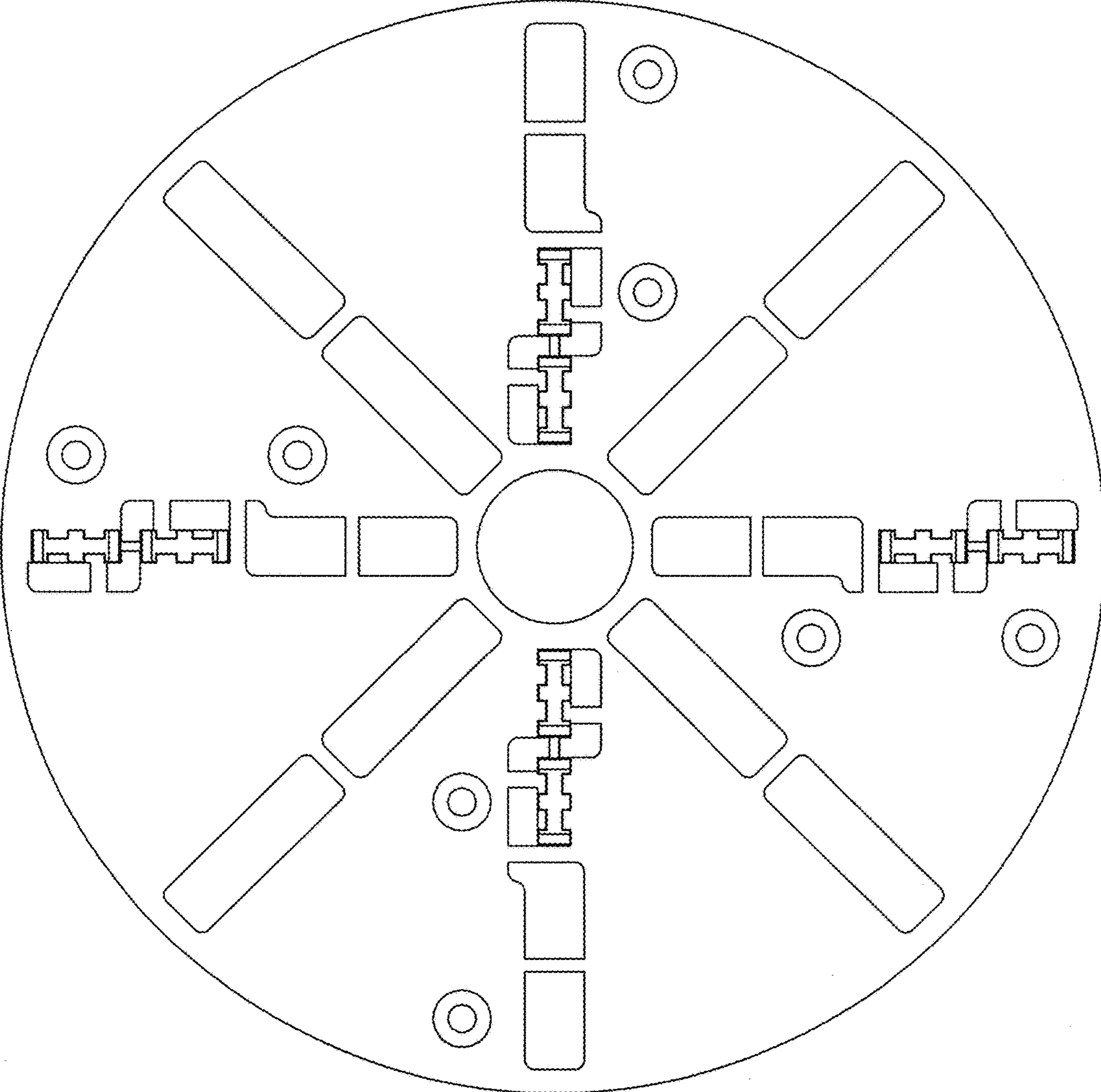


Fig. 1

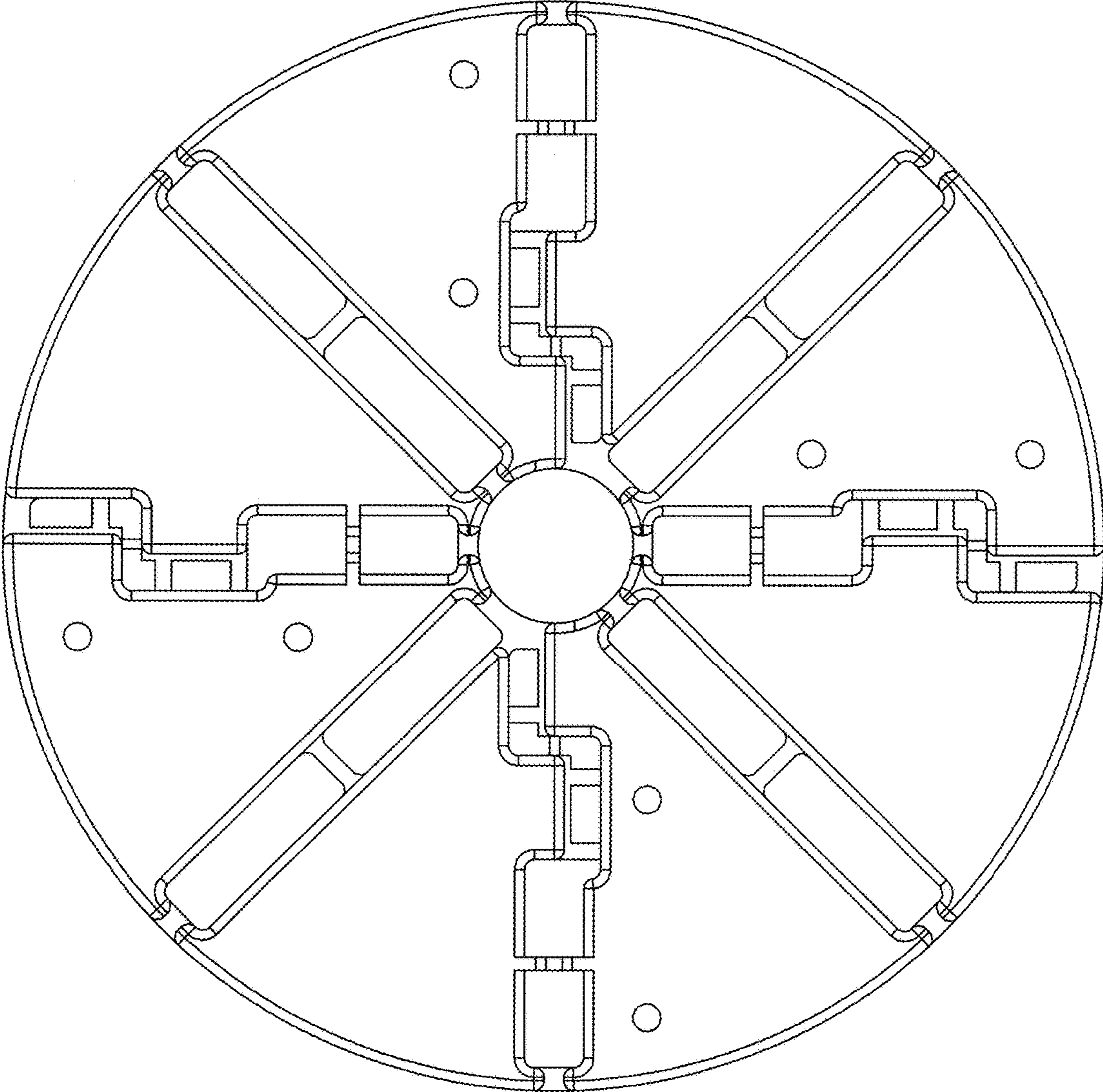


Fig. 2

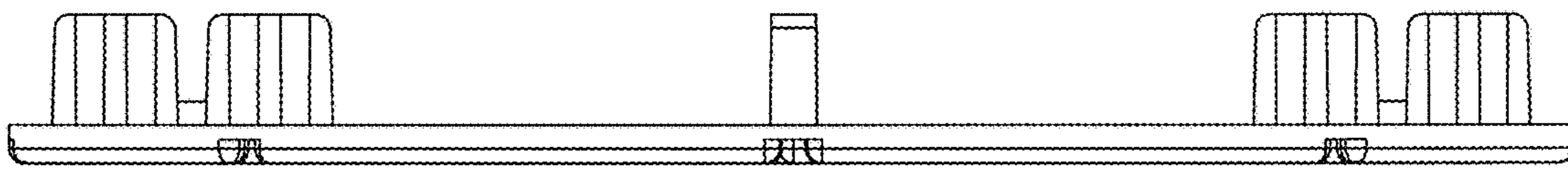


Fig. 3

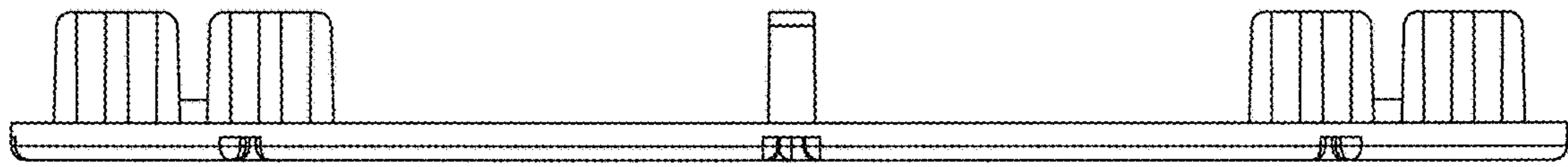


Fig. 4

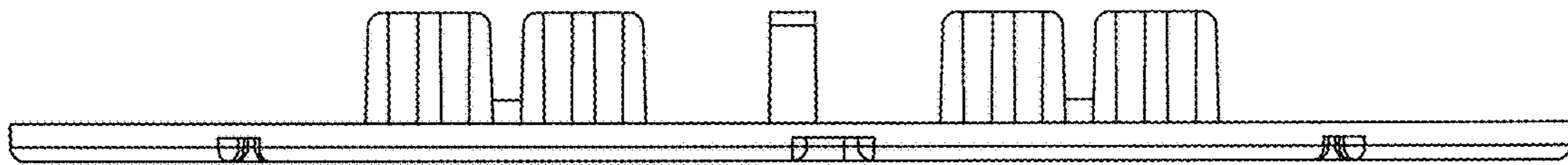


Fig. 5

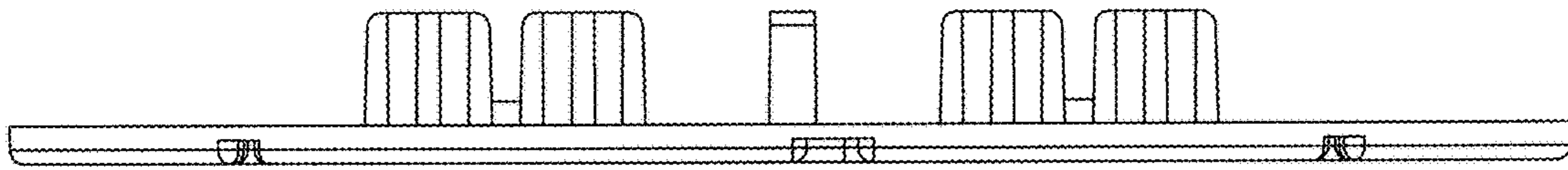


Fig. 6

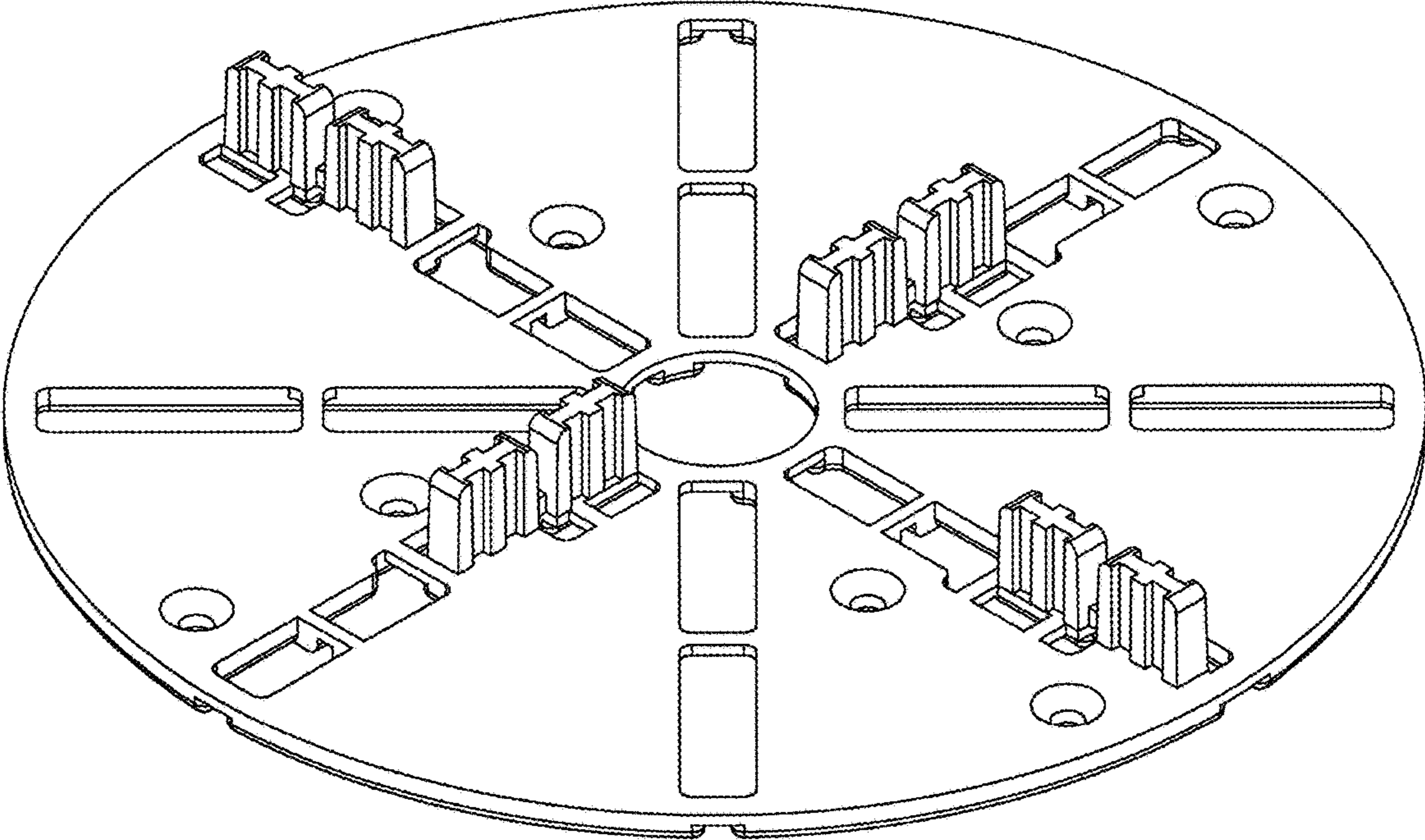


Fig. 7

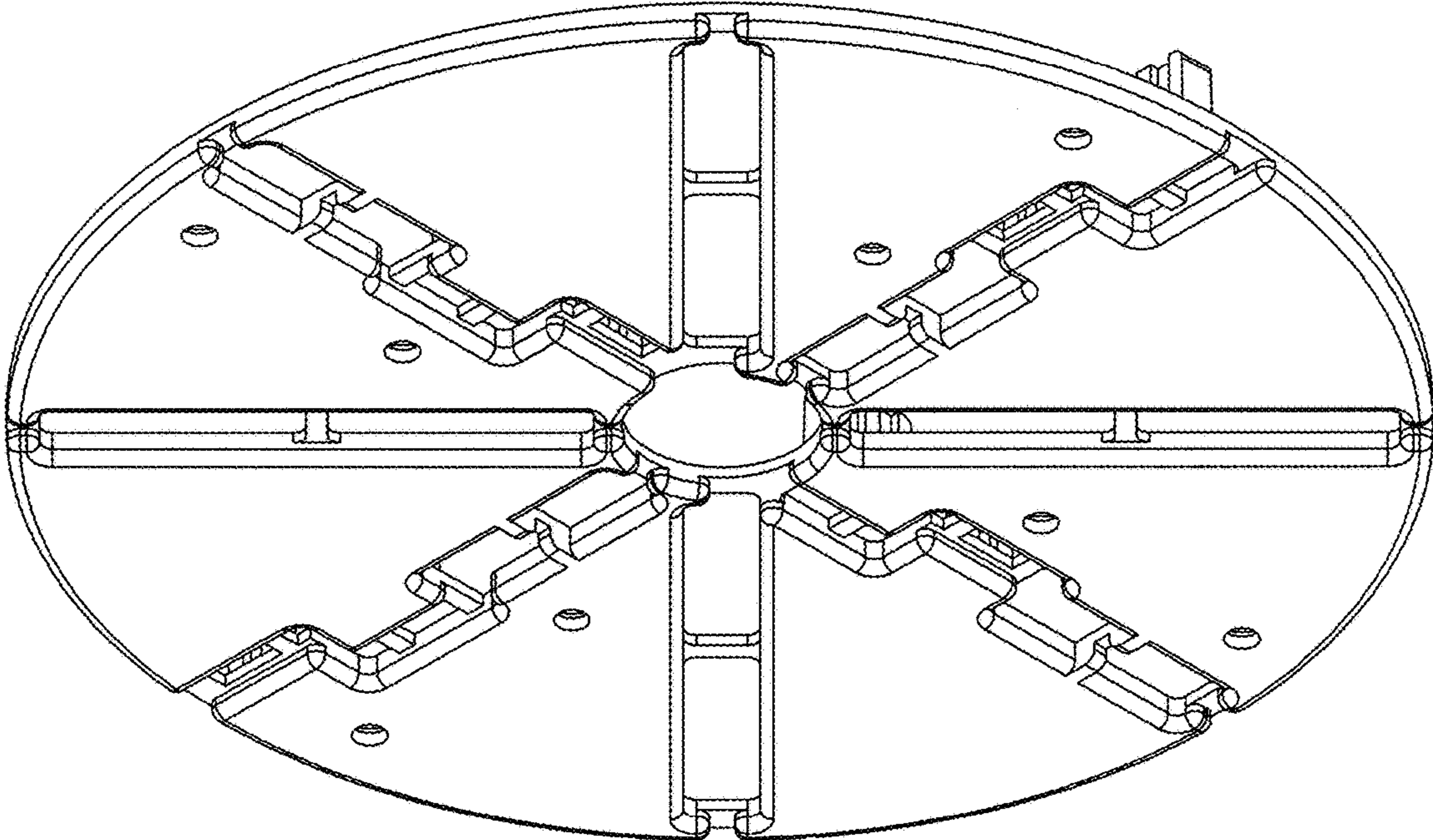


Fig. 8