



US00D861194S

(12) **United States Design Patent**
Morrow

(10) **Patent No.:** **US D861,194 S**

(45) **Date of Patent:** **** Sep. 24, 2019**

(54) **PANEL**

(71) Applicant: **Blue Tomato LLC**, Provo, UT (US)

(72) Inventor: **Brian D. Morrow**, Provo, UT (US)

(73) Assignee: **Blue Tomato LLC**, Provo, UT (US)

(**) Term: **15 Years**

(21) Appl. No.: **29/648,685**

(22) Filed: **May 23, 2018**

(51) **LOC (12) Cl.** **25-01**

(52) **U.S. Cl.**
USPC **D25/138**

(58) **Field of Classification Search**
USPC D25/138, 139, 140, 141, 144, 163, 119,
D25/121, 122, 123, 124, 125; 52/78,
(Continued)

(56) **References Cited**

U.S. PATENT DOCUMENTS

2,202,783 A 1/1937 Morrell
2,321,567 A 11/1941 Wilson
(Continued)

FOREIGN PATENT DOCUMENTS

FR 2359942 2/1978
GB 2261234 5/1993
(Continued)

OTHER PUBLICATIONS

U.S. Appl. No. 15/426,756, filed Feb. 7, 2017, Morrow.
(Continued)

Primary Examiner — Kevin K Rudzinski

Assistant Examiner — Kimberly Barnes

(74) *Attorney, Agent, or Firm* — Workman Nydegger

(57) **CLAIM**

The ornamental design for a panel, as shown and described.

DESCRIPTION

FIG. 1 is a front perspective view of a panel showing my new design according to a first embodiment.

FIG. 2 is a rear perspective view of the panel of FIG. 1.

FIG. 3 is a front view of the panel of FIG. 1.

FIG. 4 is a bottom view of the panel of FIG. 1.

FIG. 5 is a first side view of the panel of FIG. 1.

FIG. 6 is a second, opposite side view of the panel of FIG. 1.

FIG. 7 is a rear view of the panel of FIG. 1.

FIG. 8 is a top view of the panel of FIG. 1.

FIG. 9 is a front perspective view of a panel according to a second embodiment.

FIG. 10 is a rear perspective view of the panel of FIG. 9.

FIG. 11 is a front view of the panel of FIG. 9.

FIG. 12 is a bottom view of the panel of FIG. 9.

FIG. 13 is a first side view of the panel of FIG. 9.

FIG. 14 is a second, opposite side view of the panel of FIG. 9.

FIG. 15 is a rear view of the panel of FIG. 9.

FIG. 16 is a top view of the panel of FIG. 9.

FIG. 17 is a front perspective view of a panel according to a third embodiment.

FIG. 18 is a rear perspective view of the panel of FIG. 17.

FIG. 19 is a front view of the panel of FIG. 17.

FIG. 20 is a bottom view of the panel of FIG. 17.

FIG. 21 is a first side view of the panel of FIG. 17.

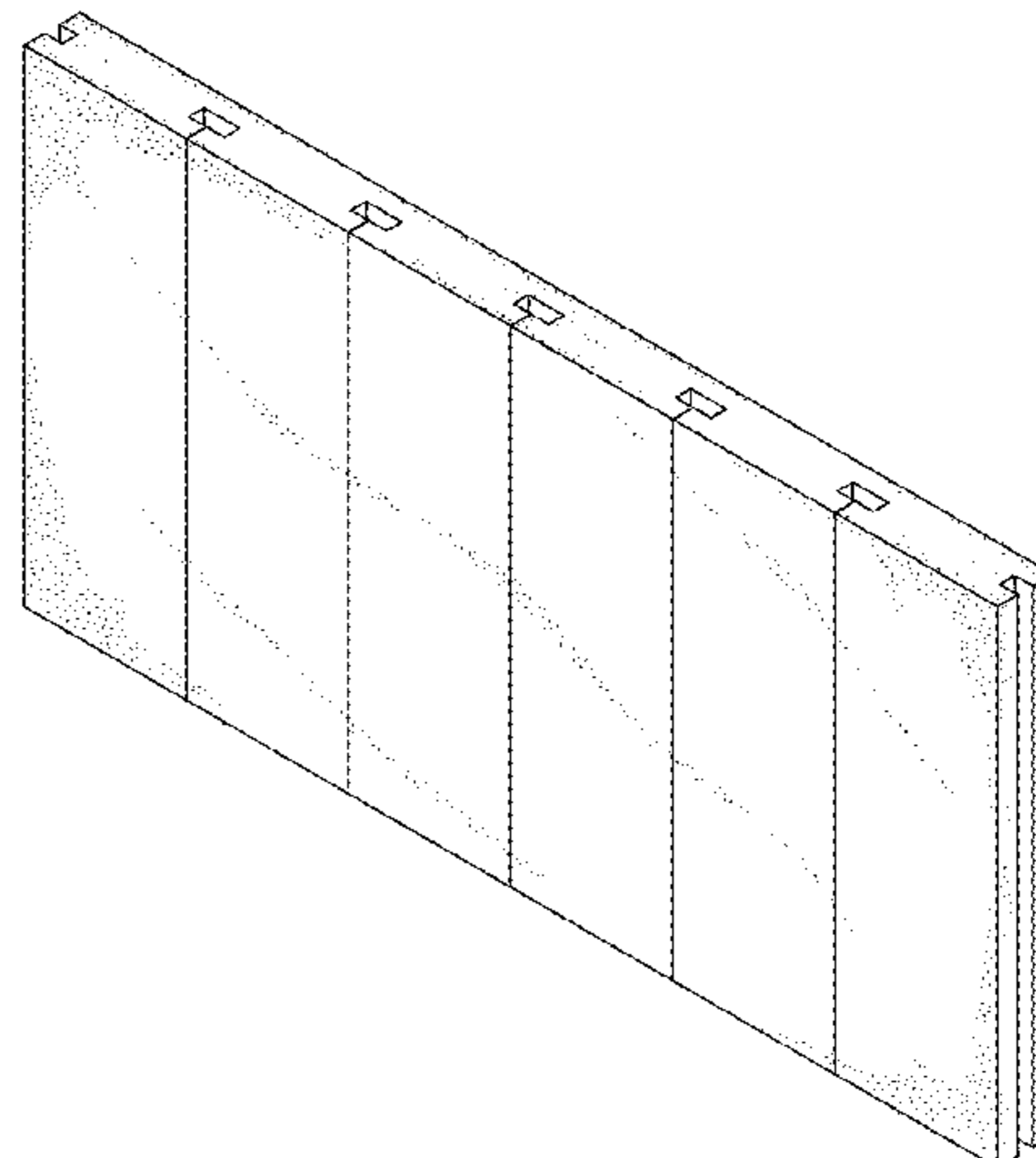
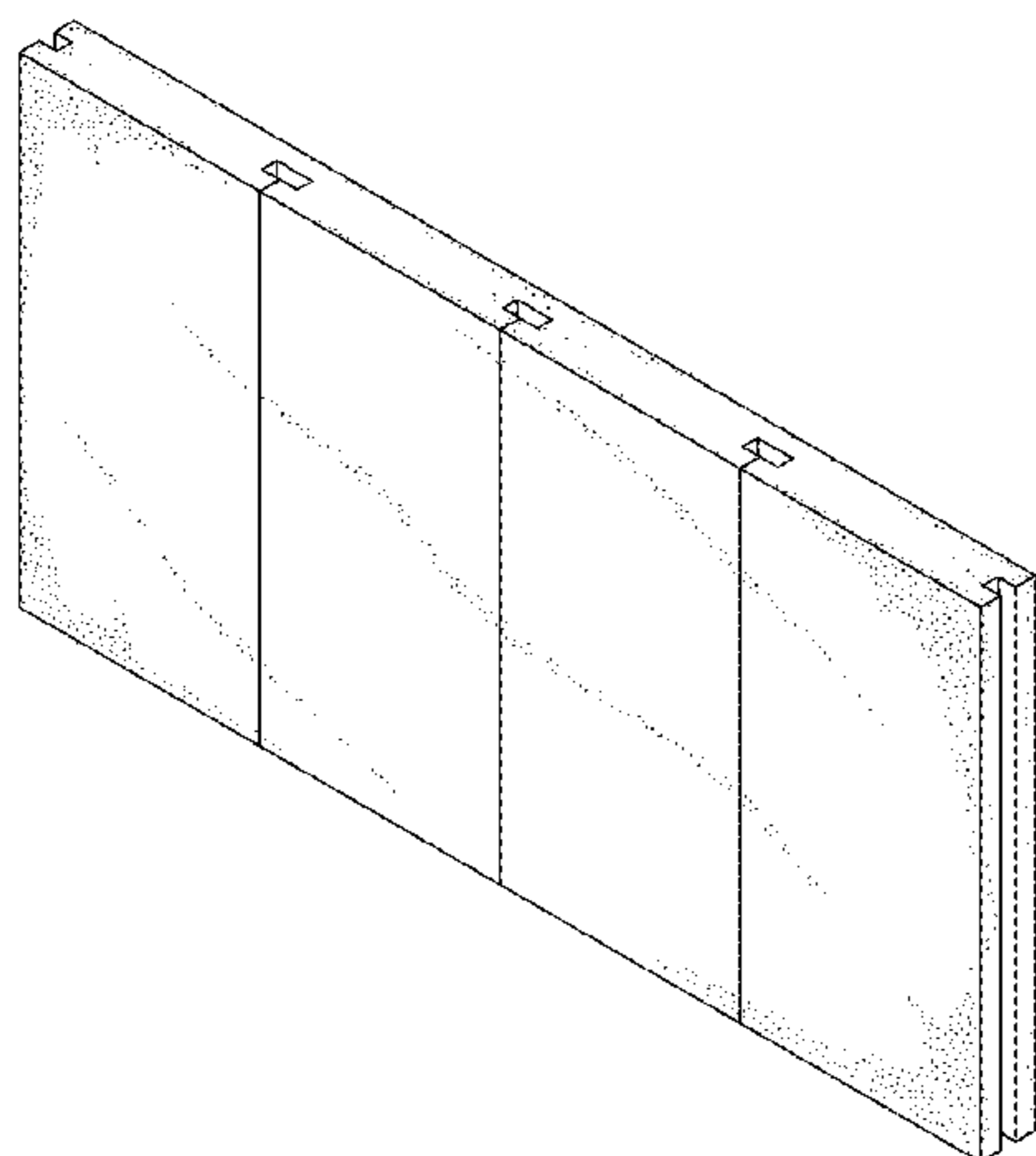
FIG. 22 is a second, opposite side view of the panel of FIG. 17.

FIG. 23 is a rear view of the panel of FIG. 17; and,

FIG. 24 is a top view of the panel of FIG. 17.

The panel is shown with symbolic break lines in its length in the third embodiment. The appearance of any portion of the article between the break lines forms no part of the claimed design.

1 Claim, 12 Drawing Sheets



US D861,194 S

(58) Field of Classification Search

USPC 52/311.2, 314, 518-527, 536, 539, 546, 52/578, 588.1, 589.1, 782.1, 783.1, 482, 52/478, 510, 551, 715, 748.11 CPC E04C 2002/004; E04C 2002/005; E04C 2/02; E04C 2/38; E04C 2/40; E04C 2/08; E04C 2/30; E04C 2/322; E04F 13/08; E04F 13/0862; E04F 13/0866; E04F 13/0871; E04F 13/0876; E04F 13/0878; E04F 13/0889; E04F 13/0894; E04F 13/09; E04F 13/0864; E04F 19/022; E04F 2201/0115; E04F 13/165; E04D 1/00; E04D 1/02; E04D 1/06; E04D 1/12; E04D 1/18; E04D 3/00; E04D 3/02; E04D 3/16; E04D 3/24; E04D 3/30; E04D 3/361; E04D 3/368; E04D 3/362; E04D 3/363; E04D 3/364; E04D 11/02; E04B 1/6141; E04B 2/96; E04B 5/40	D444,577 S * 7/2001 Neuhofer, Jr. D25/138 6,305,135 B1 10/2001 Inaba 6,324,809 B1 12/2001 Nelson 6,460,302 B1 10/2002 Neuhaus 6,470,632 B1 10/2002 Smith 6,481,172 B1 11/2002 Porter 6,571,523 B2 6/2003 Chambers D477,423 S * 7/2003 Campbell D25/138 6,701,683 B2 3/2004 Messenger 6,772,890 B2 * 8/2004 Campbell A47F 5/0846 211/189 6,985,832 B2 1/2006 Saebi 7,028,440 B2 4/2006 Brisson 7,036,196 B2 * 5/2006 Salatin A47B 95/008 211/85.16 7,093,726 B1 * 8/2006 Holztrager A47F 5/0043 211/153 7,165,374 B2 1/2007 Ohanesian 7,712,265 B2 5/2010 Overmyer 7,779,600 B1 8/2010 Saebi 8,151,539 B2 4/2012 Grinsted 8,220,648 B2 * 7/2012 Barkdoll A47F 5/0846 211/94.01 8,468,767 B1 6/2013 McBride 8,627,625 B2 * 1/2014 Bouchard E04F 13/0862 52/387 8,695,299 B2 4/2014 Propst 2005/0284060 A1 12/2005 Ritchie 2006/0207479 A1 9/2006 Hughes 2007/0131308 A1 6/2007 Martin 2009/0100780 A1 4/2009 Mathis 2010/0011699 A1 1/2010 Weimer 2010/0083590 A1 * 4/2010 Wochnik E04C 2/041 52/79.1 2010/0095625 A1 4/2010 Boutaghou 2010/0136269 A1 6/2010 Andersen 2011/0067331 A1 3/2011 Grinsted 2011/0173911 A1 7/2011 Propst 2011/0214374 A1 9/2011 Propst 2012/0011793 A1 1/2012 Clark 2013/0086850 A1 4/2013 Morrow 2013/0216760 A1 * 8/2013 Bol B29C 39/025 428/68 2013/0227902 A1 9/2013 Van Sloun 2013/0266370 A1 10/2013 Gunther 2014/0250827 A1 9/2014 Gillman 2015/0135634 A1 5/2015 Hoie 2016/0208489 A1 7/2016 Gibson 2018/0298600 A1 10/2018 Moss
---	---

See application file for complete search history.

(56) References Cited

U.S. PATENT DOCUMENTS

3,284,980 A 11/1966 Dinkel 3,353,315 A 11/1967 Barker 3,374,703 A 3/1968 Davis 3,517,468 A 6/1970 Woods 3,646,715 A 3/1972 Pope 3,699,731 A 10/1972 Arnold 3,775,916 A 12/1973 Bair 3,808,085 A 4/1974 Givens 4,035,972 A 7/1977 Timmons 4,435,928 A 3/1984 Huling 4,443,988 A 4/1984 Coutu 4,578,909 A 4/1986 Henley 4,578,915 A 4/1986 Schneller 4,615,448 A * 10/1986 Johnstonbaugh A47F 5/0846 211/189 4,617,219 A 10/1986 Schupack 4,641,468 A 2/1987 Slater 4,774,794 A 10/1988 Grieb 4,893,451 A 1/1990 Valente 4,944,416 A * 7/1990 Petersen A47F 5/0846 211/87.01 5,003,742 A 4/1991 Dettbarn 5,030,502 A 7/1991 Teare 5,121,578 A * 6/1992 Holz E04B 9/26 52/506.01 5,138,803 A * 8/1992 Grossen A47F 5/0846 211/103 5,172,532 A * 12/1992 Gibbar, Jr. E04B 2/8652 52/309.12 5,173,233 A 12/1992 Kafarowski 5,231,813 A 8/1993 Drawdy 5,268,226 A 12/1993 Sweeney 5,353,560 A 10/1994 Heydon 5,353,562 A 10/1994 Decker 5,377,470 A 1/1995 Hebinck 5,390,462 A * 2/1995 Kreiter A47F 5/0846 211/189 D384,108 S * 9/1997 Rinicella D20/10 5,694,730 A 12/1997 Del Rincon 5,803,964 A 9/1998 Scarborough 5,822,940 A 10/1998 Carlin 5,899,037 A 5/1999 Josey 5,901,522 A 5/1999 Slater 5,921,046 A 7/1999 Hammond 5,927,032 A 7/1999 Record 5,950,389 A 9/1999 Porter

FOREIGN PATENT DOCUMENTS

JP	07-102680	4/1995
JP	10148095	6/1998
JP	2002-292612	10/2002
KR	10-1993-0010328	6/1993
KR	10-2009-0065909	6/2009
WO	2013052427	4/2013

OTHER PUBLICATIONS

- U.S. Appl. No. 13/866,569, filed Apr. 19, 2013, Morrow.
- U.S. Appl. No. 15/987,366, filed May 23, 2018, Morrow.
- U.S. Appl. No. 29/658,417, filed Jul. 31, 2018, Morrow.
- U.S. Appl. No. 13/436,403, filed Feb. 13, 2013, Office Action.
- U.S. Appl. No. 13/436,403, filed Aug. 1, 2013, Final Office Action.
- U.S. Appl. No. 13/866,569, filed Jun. 20, 2014, Notice of Allowance.
- U.S. Appl. No. 15/426,756, filed Feb. 23, 2018, Office Action.
- U.S. Appl. No. 15/987,366, filed Feb. 14, 2019, Office Action.

* cited by examiner

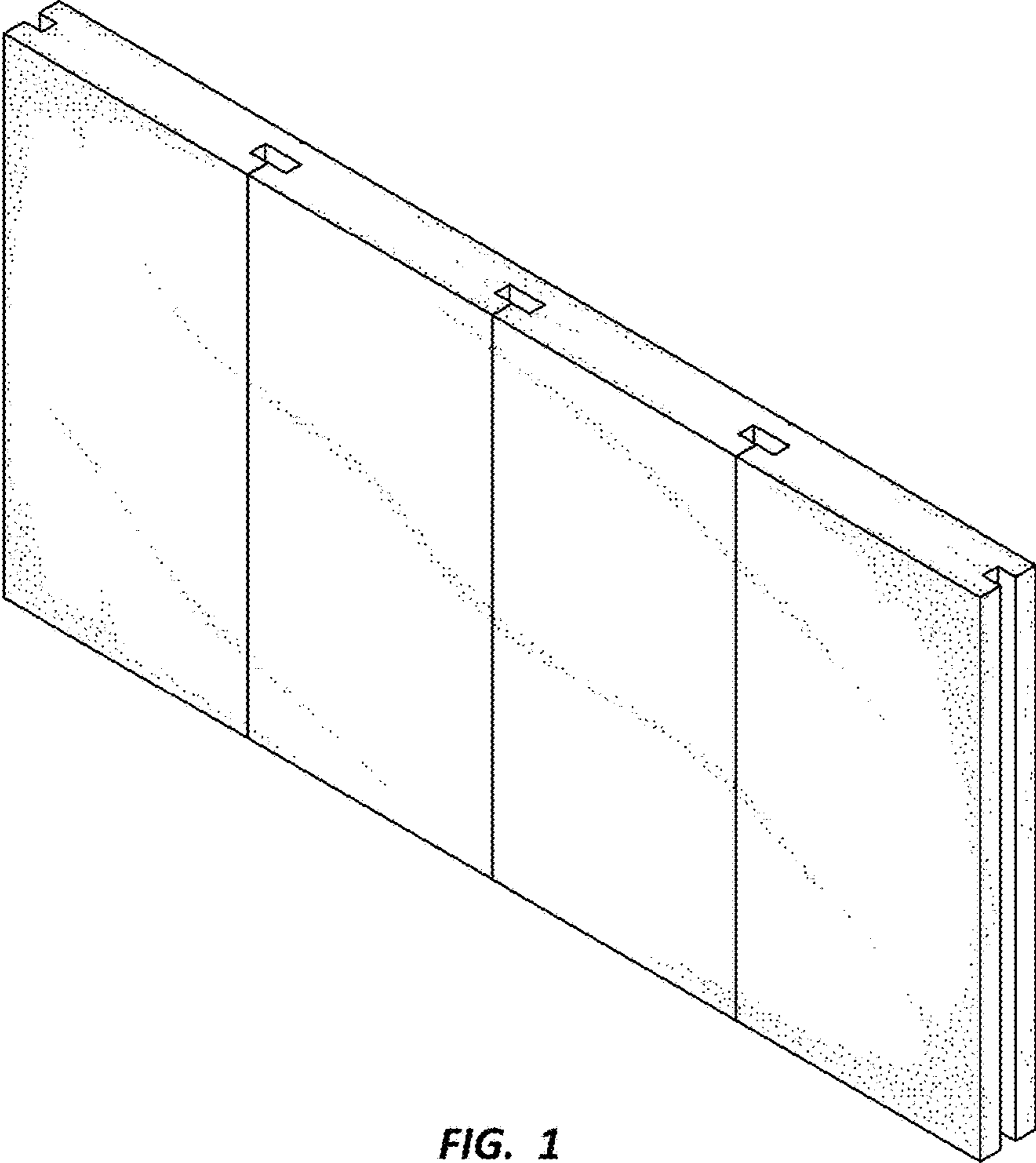


FIG. 1

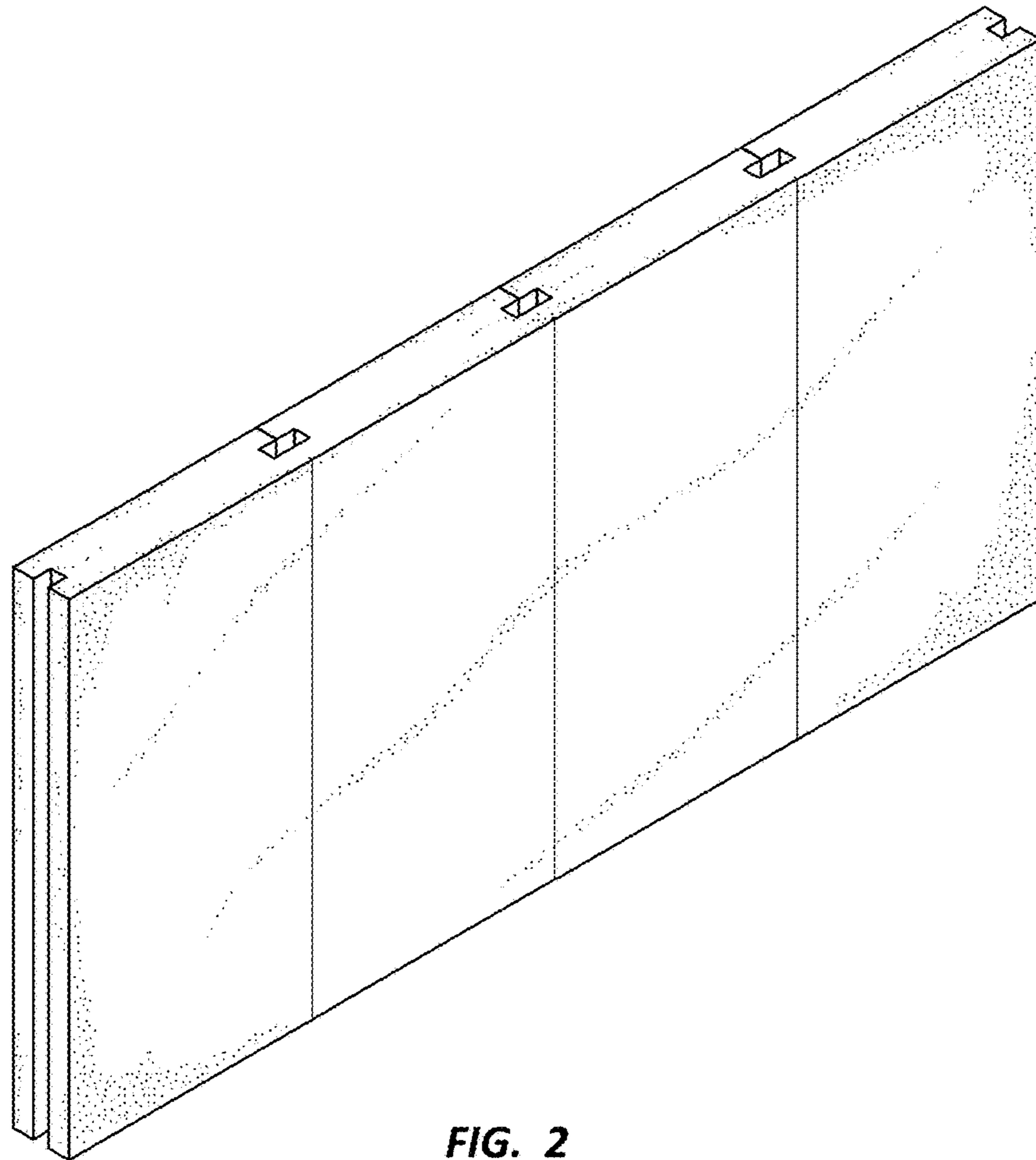


FIG. 2

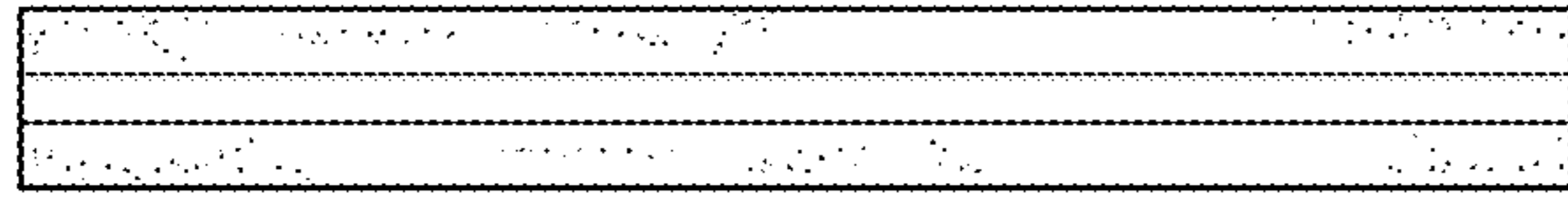


FIG. 5

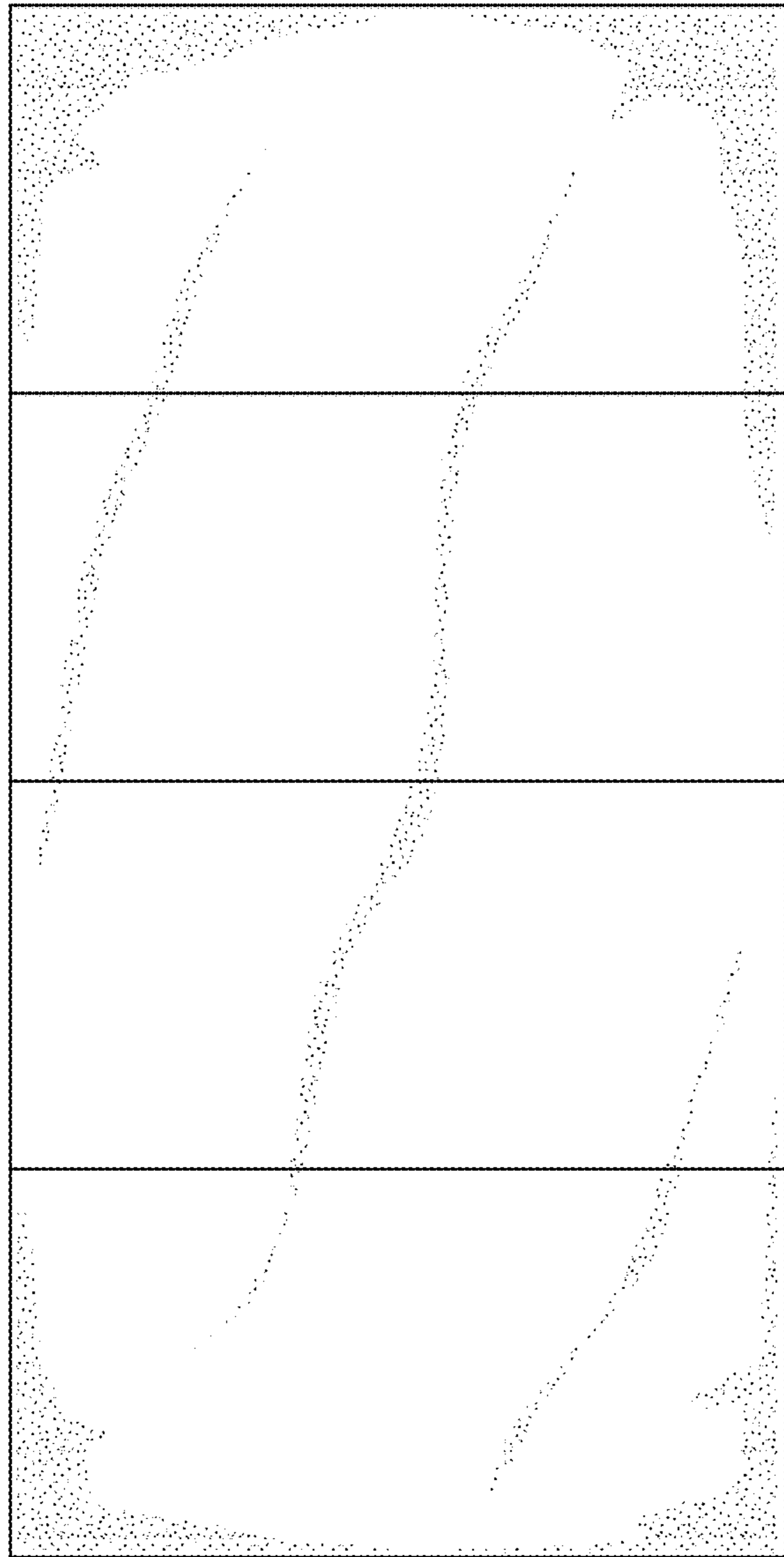


FIG. 3



FIG. 4

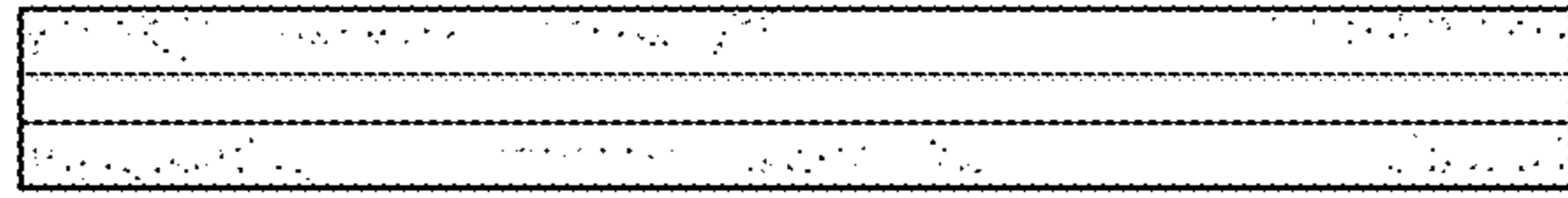


FIG. 6

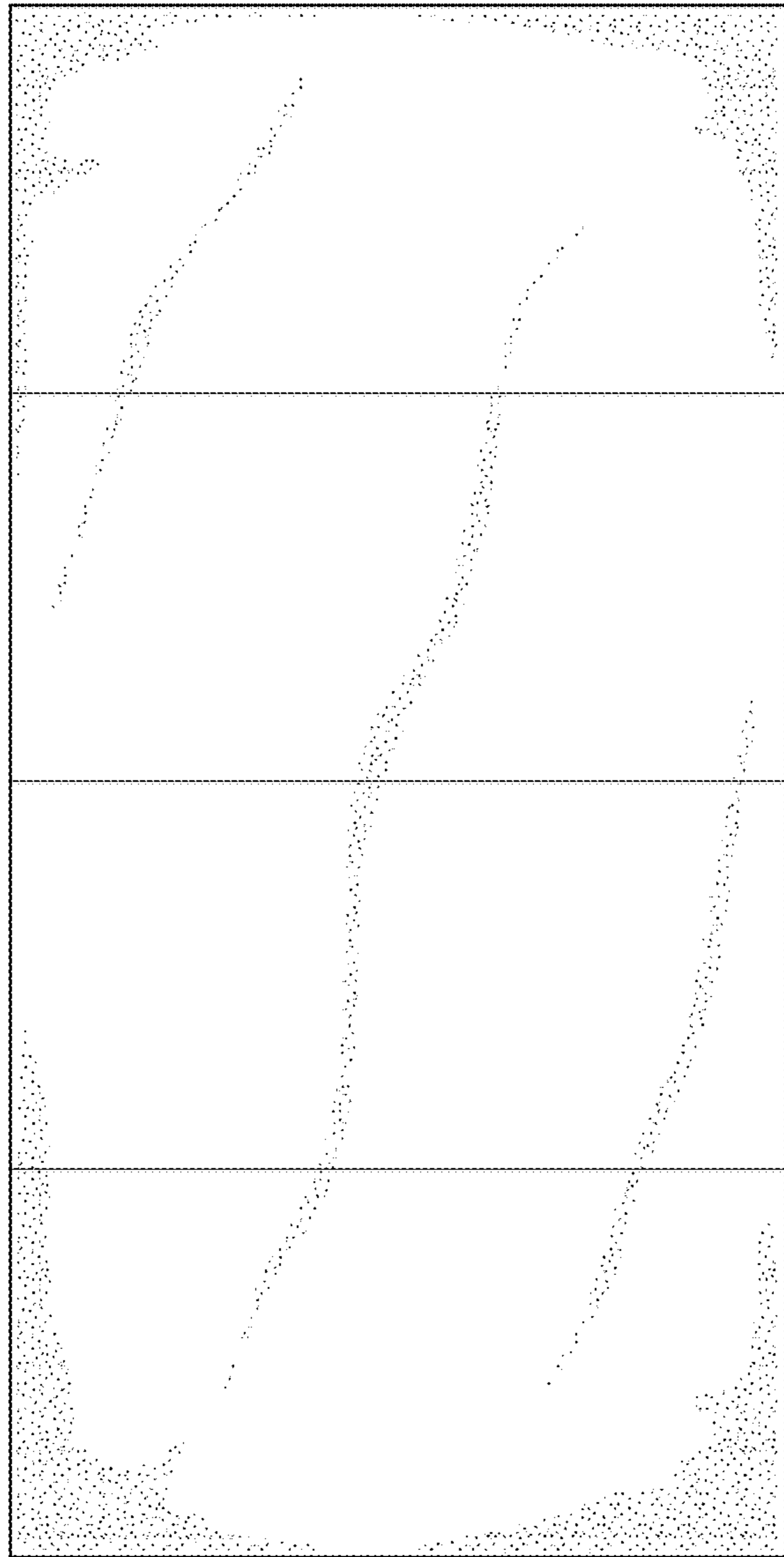


FIG. 7



FIG. 8

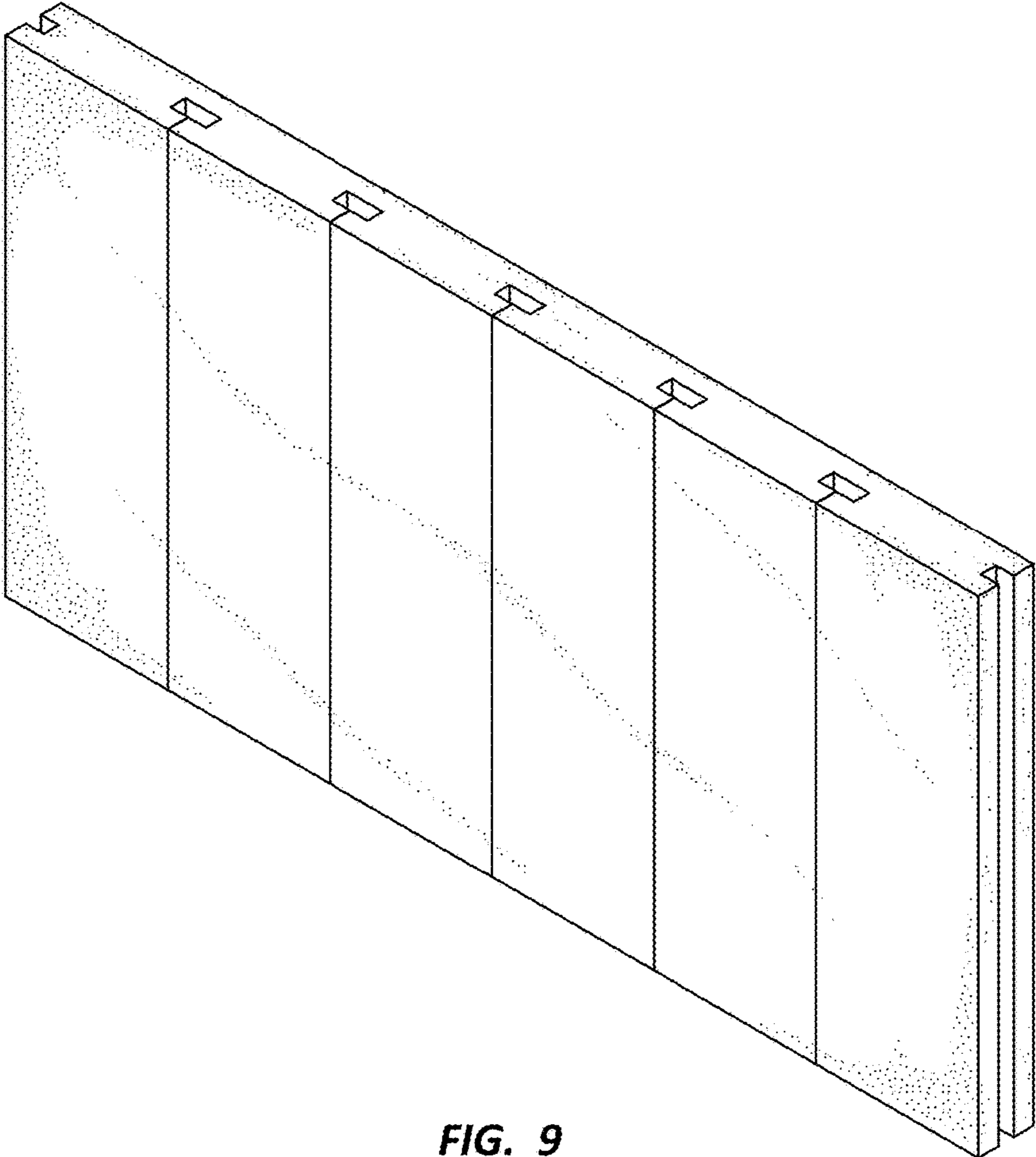


FIG. 9

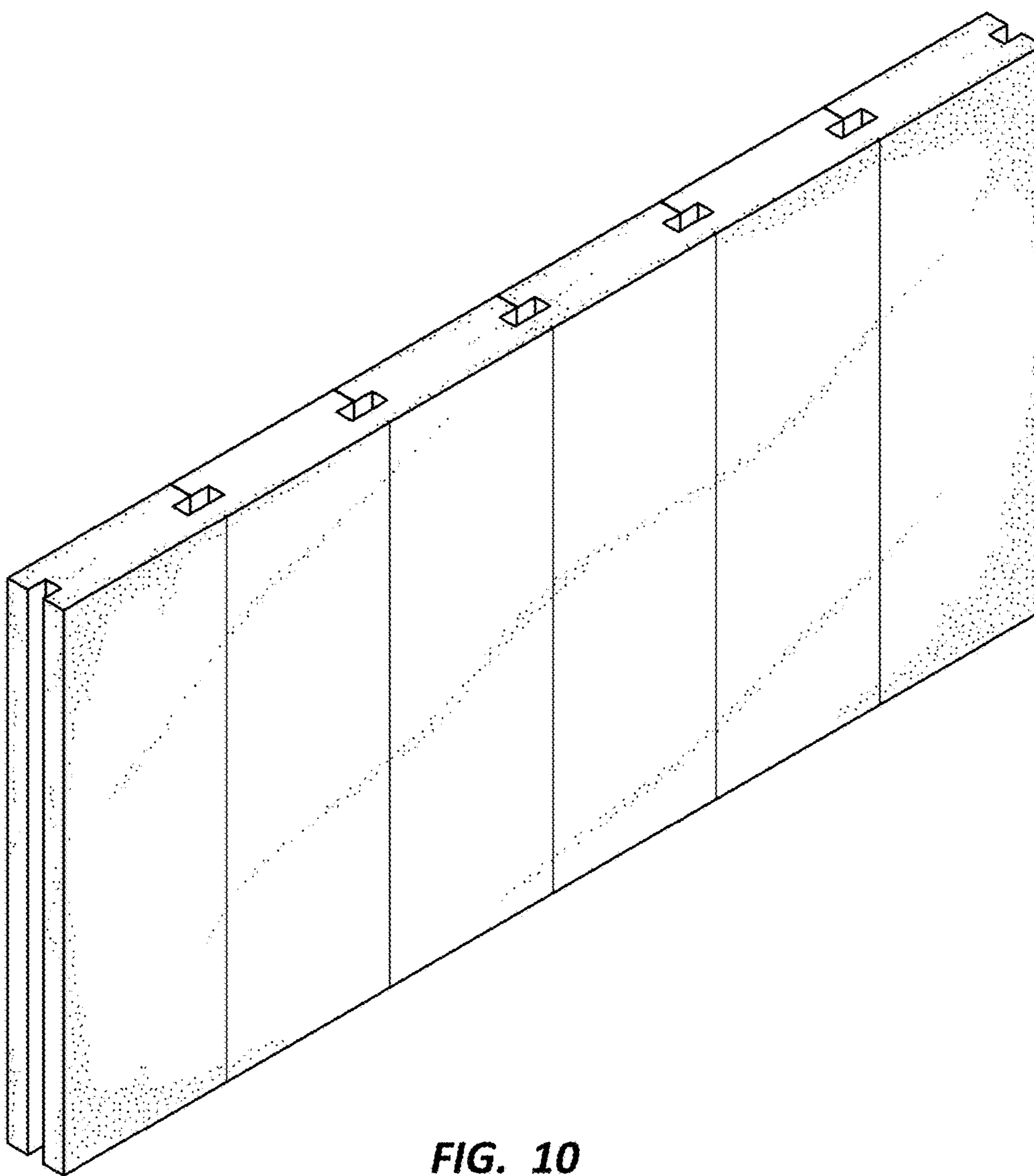


FIG. 10

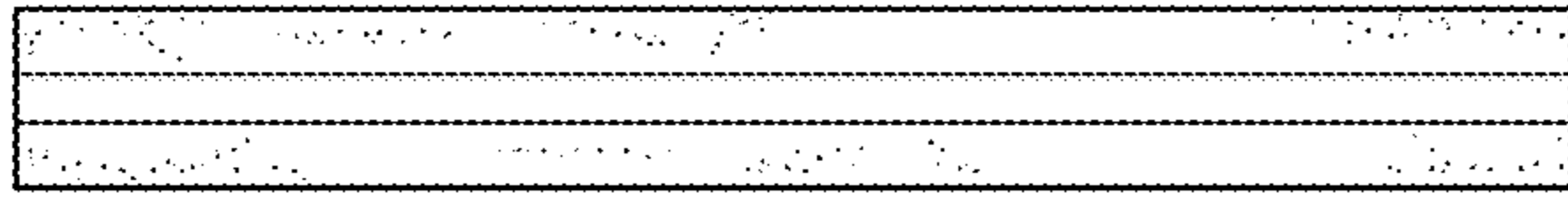


FIG. 13

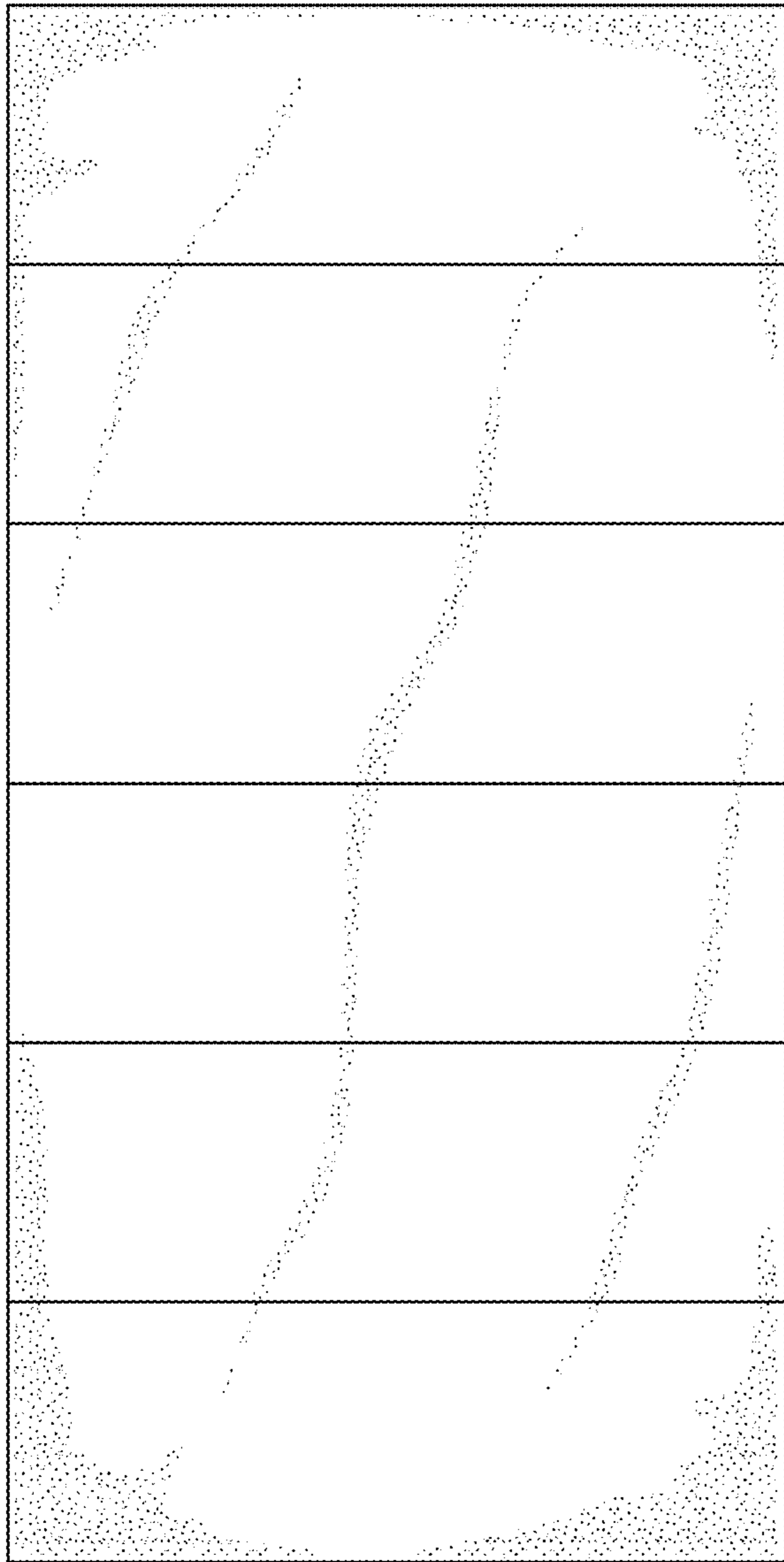


FIG. 11



FIG. 12

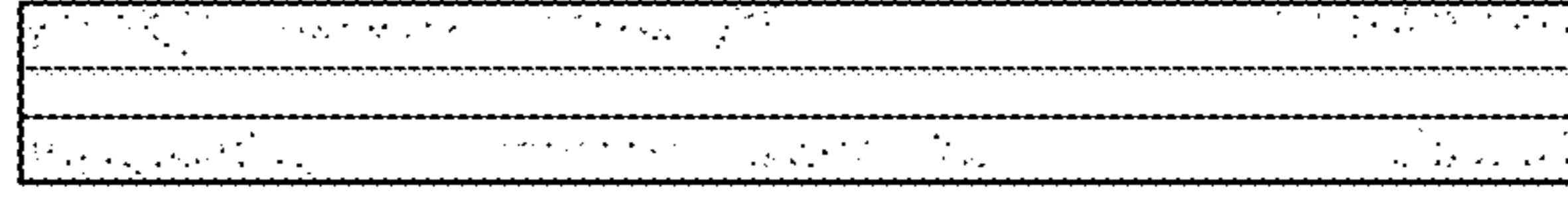


FIG. 14

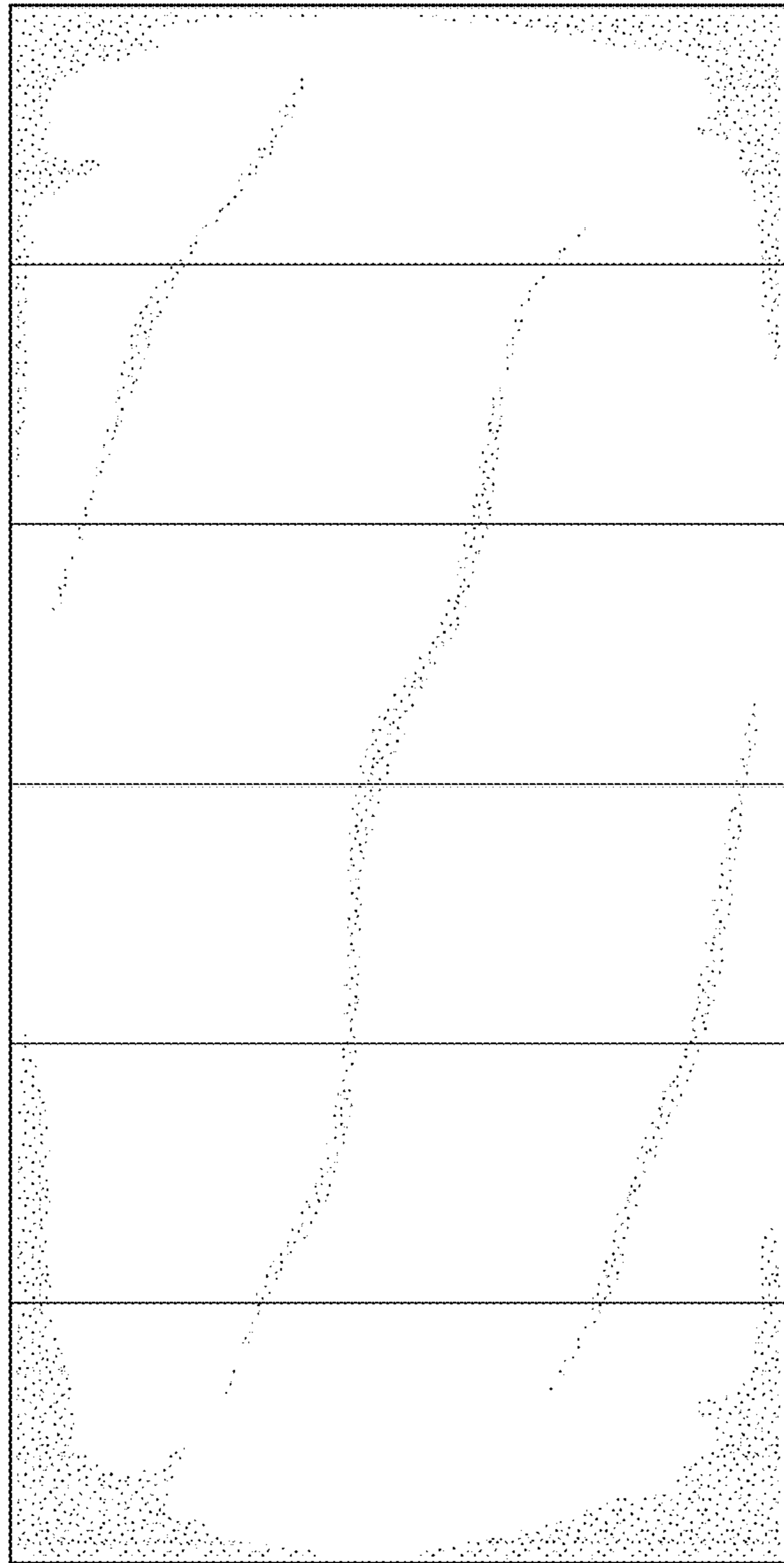


FIG. 15



FIG. 16

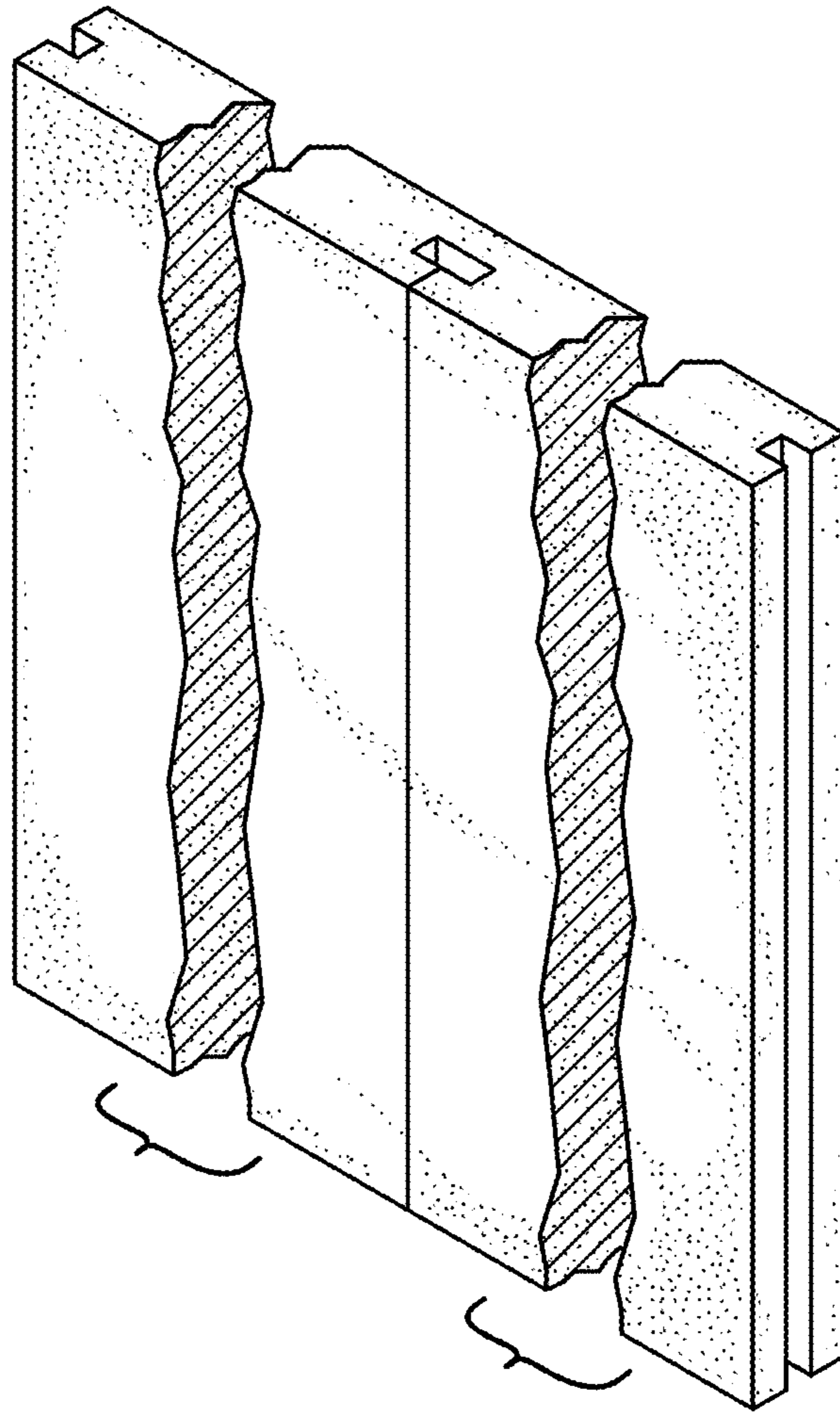


FIG. 17

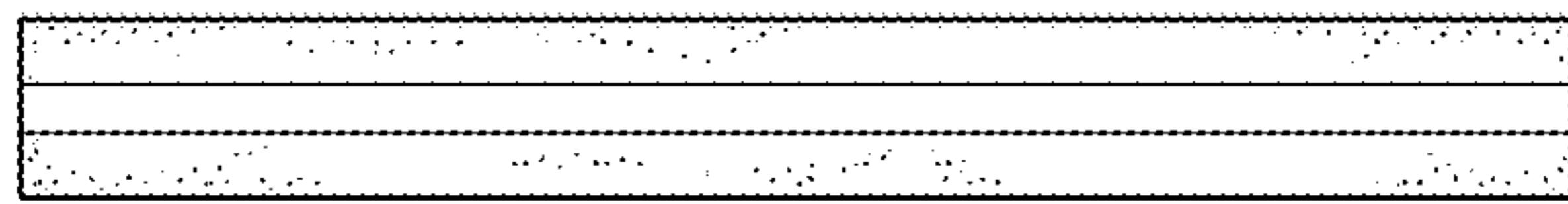


FIG. 21

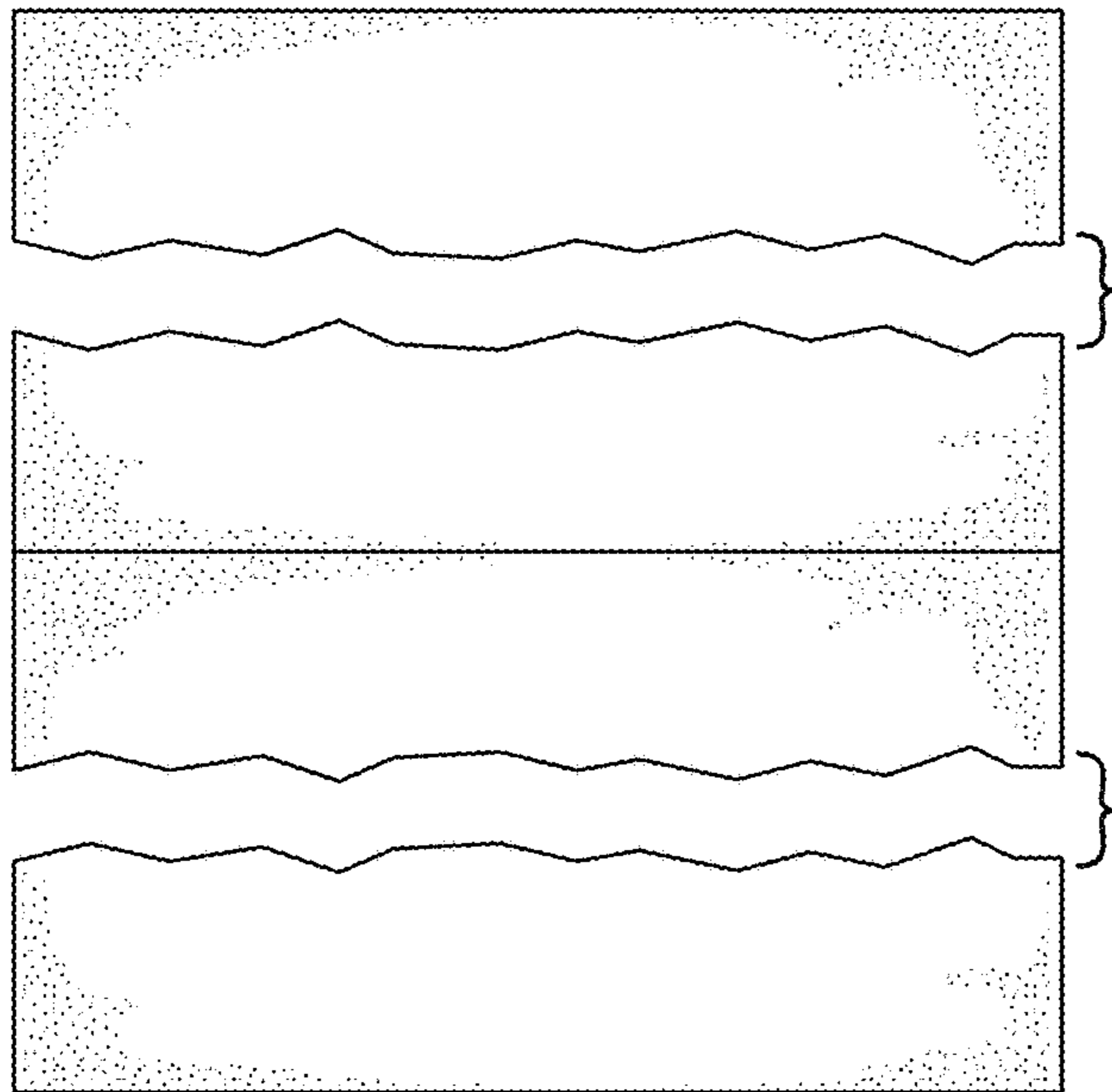


FIG. 19

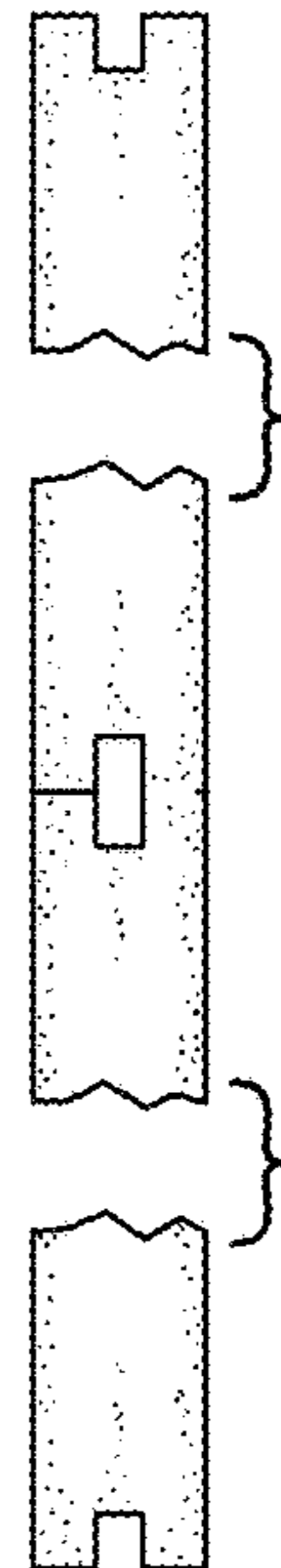


FIG. 20

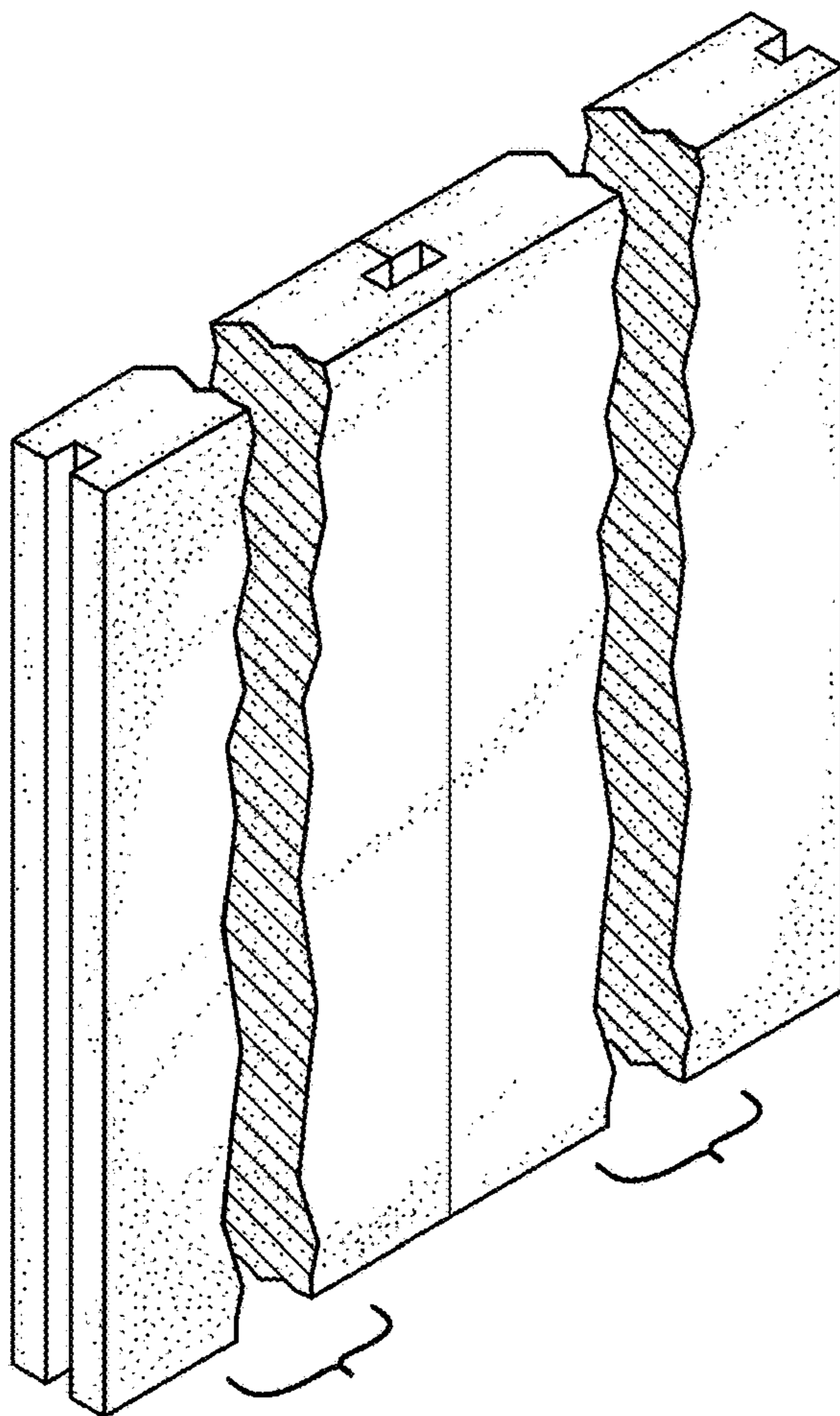


FIG. 18

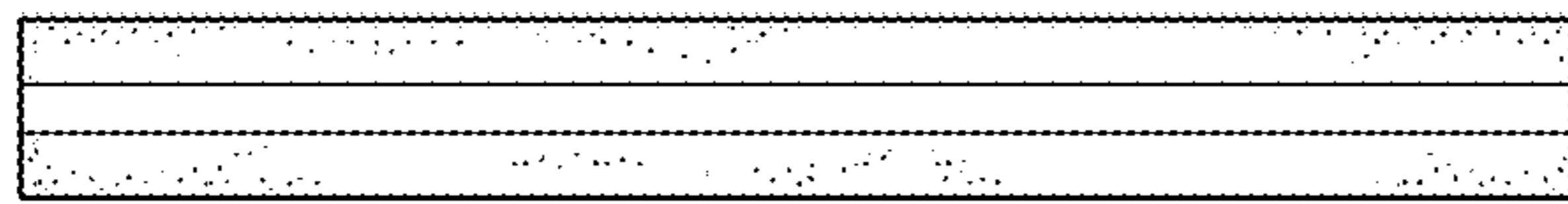


FIG. 22

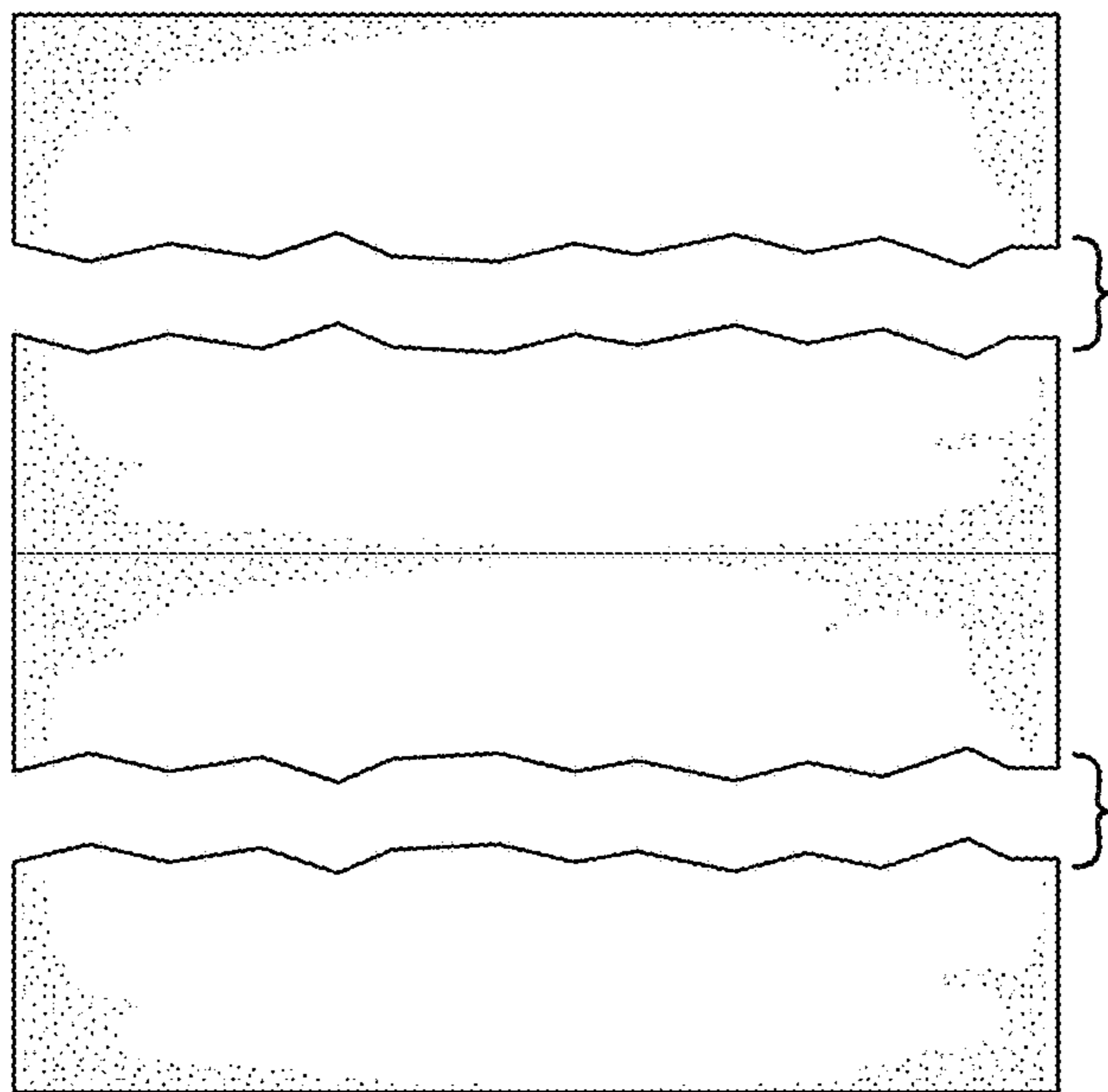


FIG. 23

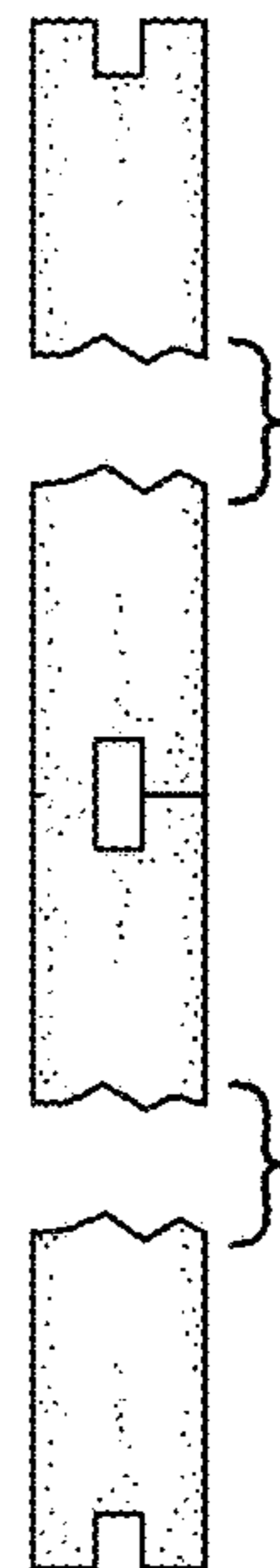


FIG. 24