



US00D861193S

(12) **United States Design Patent** (10) **Patent No.:** **US D861,193 S**
Rapp (45) **Date of Patent:** **** Sep. 24, 2019**

- (54) **ENCAPSULATED FLOOR TILE**
- (71) Applicant: **Curt V. Rapp**, Atlanta, GA (US)
- (72) Inventor: **Curt V. Rapp**, Atlanta, GA (US)
- (**) Term: **15 Years**
- (21) Appl. No.: **29/597,477**
- (22) Filed: **Mar. 17, 2017**

Related U.S. Application Data

- (63) Continuation-in-part of application No. 14/695,203, filed on Apr. 24, 2015, now abandoned.
- (51) **LOC (12) Cl.** **25-01**
- (52) **U.S. Cl.**
USPC **D25/138**
- (58) **Field of Classification Search**
USPC D25/138-163, 113, 117; 404/34;
52/403.1, 405.3, 311.2
CPC E04F 15/02; E04F 15/203; E04F 15/206;
E04F 15/225; E04F 15/10; E04F 15/22;
E04F 15/16; E04F 15/04; E04F 15/08;
E04F 15/18; E04F 15/181; E04F
2290/043; E04C 2/16
See application file for complete search history.

(56) **References Cited**

U.S. PATENT DOCUMENTS

- 1,672,537 A * 6/1928 Novak D06N 1/00
428/217
- 1,961,613 A * 6/1934 Lessnig B65D 90/045
52/385
- D196,582 S * 10/1963 Veerman D25/163
- 3,634,895 A * 1/1972 Childers A63B 23/0458
482/74
- 6,294,724 B1 * 9/2001 Sasaoka H01L 31/048
136/244
- D455,503 S * 4/2002 Heltzer D25/158
- D583,084 S * 12/2008 Kracke D25/138

- 8,303,430 B2 * 11/2012 Li A63B 69/3661
473/278
- 8,578,666 B2 * 11/2013 Yen H02S 20/23
52/173.3
- 9,090,030 B2 * 7/2015 Fenollosa Esteve ... B29C 70/78
- 2006/0048469 A1 * 3/2006 MacLean A01K 1/0103
52/220.3
- 2008/0222983 A1 * 9/2008 Lalonde E04C 2/16
52/311.2
- 2009/0235600 A1 * 9/2009 Logan B28B 7/0073
52/314
- 2014/0144092 A1 * 5/2014 Benz E04F 15/02016
52/384
- 2015/0173226 A1 * 6/2015 Murakami G06F 1/1601
428/192

(Continued)

OTHER PUBLICATIONS

How To Make Resin Tabletop Part 1—YouTube (on-line), published Nov. 30, 2009. Retrieved from Internet Jan. 28, 2019, URL: <https://www.youtube.com/watch?v=-37FeNedGd0> (1 page) (Year: 2009).*

Primary Examiner — Kevin K Rudzinski
Assistant Examiner — Kimberly Barnes
(74) *Attorney, Agent, or Firm* — Vincent Re PLLC

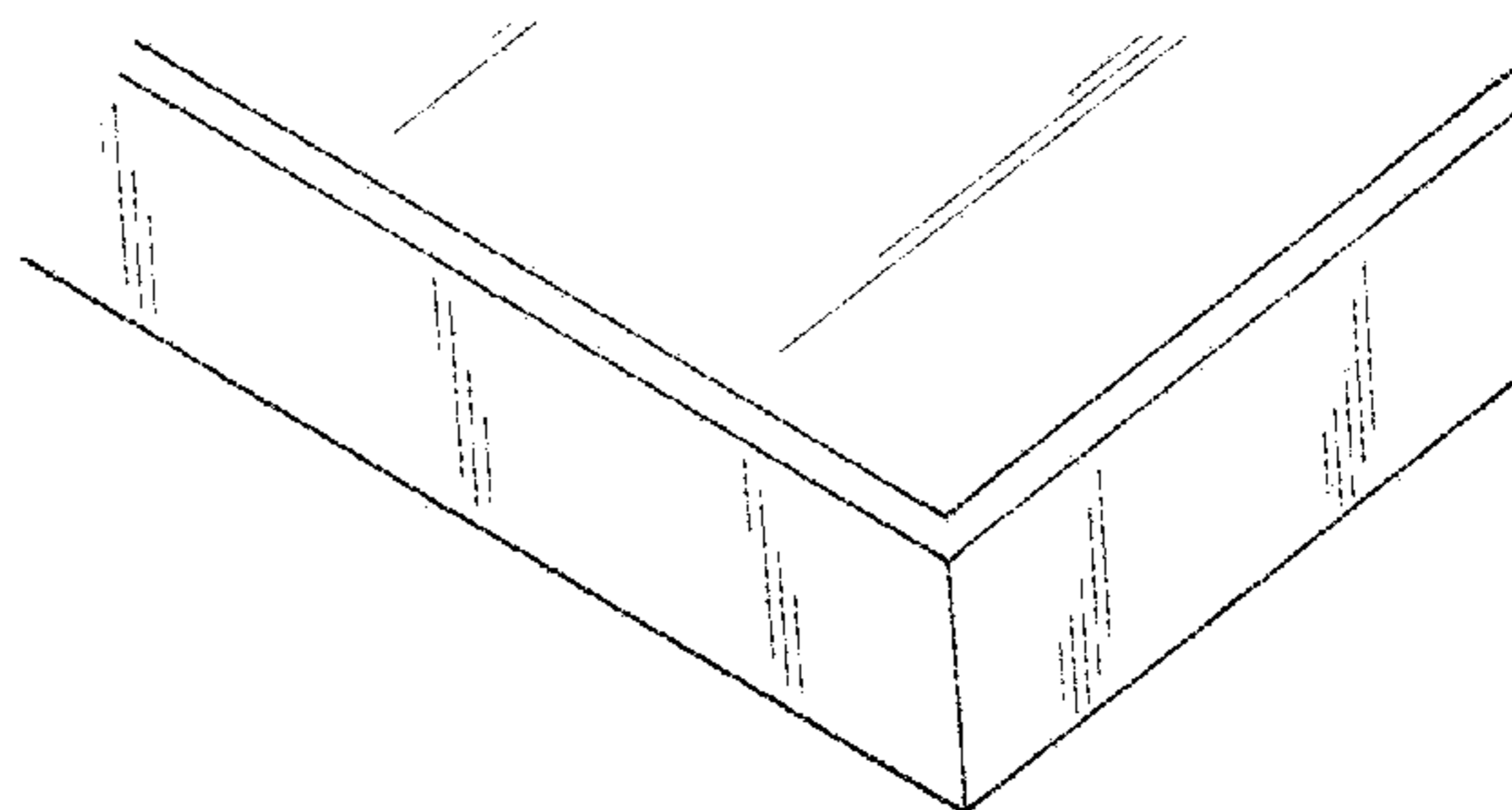
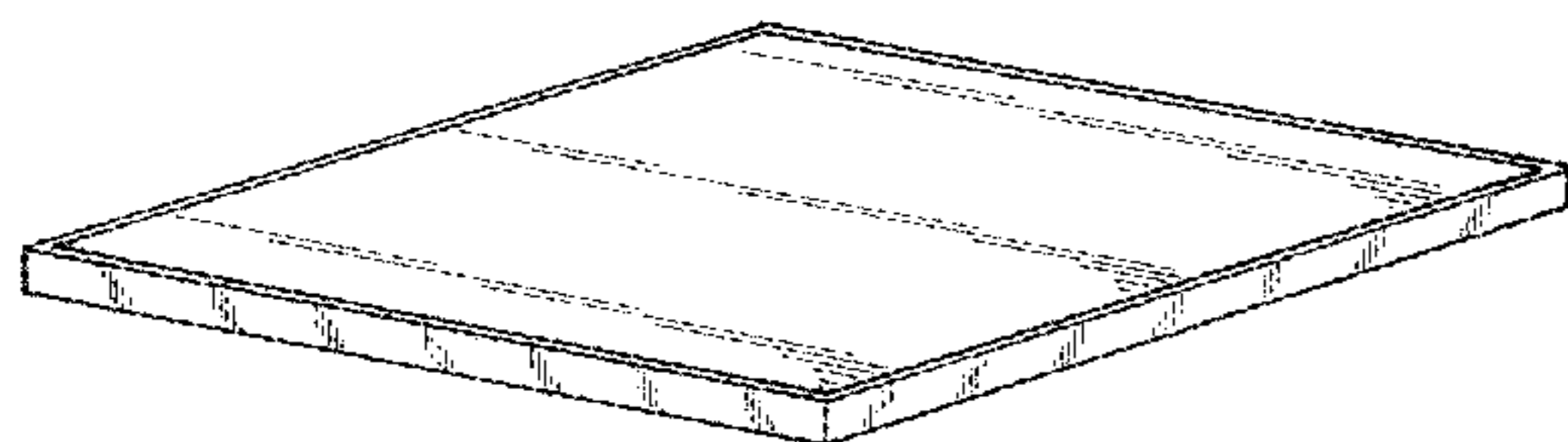
(57) **CLAIM**

The ornamental design for an encapsulated floor tile, as shown and described.

DESCRIPTION

FIG. 1 is a perspective view of an encapsulated floor tile showing my new design;
FIG. 2 is a second perspective view thereof;
FIG. 3 is a top view thereof;
FIG. 4 is a bottom view thereof; and,
FIG. 5 is an enlarged detail of a corner of the encapsulated floor tile of FIG. 2.

1 Claim, 5 Drawing Sheets



(56)

References Cited

U.S. PATENT DOCUMENTS

2015/0214889 A1* 7/2015 Nam H02S 40/32
136/251
2015/0308127 A1* 10/2015 Rapp E04F 15/203
52/403.1
2017/0237387 A1* 8/2017 Hudson E04D 3/366
52/173.3
2017/0254097 A1* 9/2017 Rapp E04F 15/08
2018/0076759 A1* 3/2018 Yoshida H02S 40/36

* cited by examiner

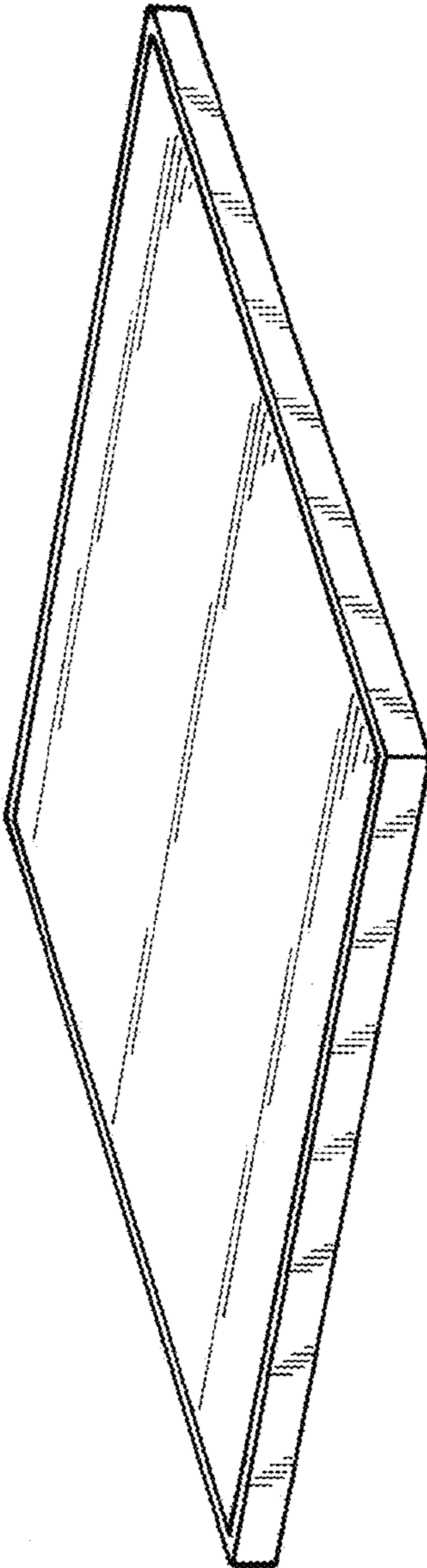


FIG.1

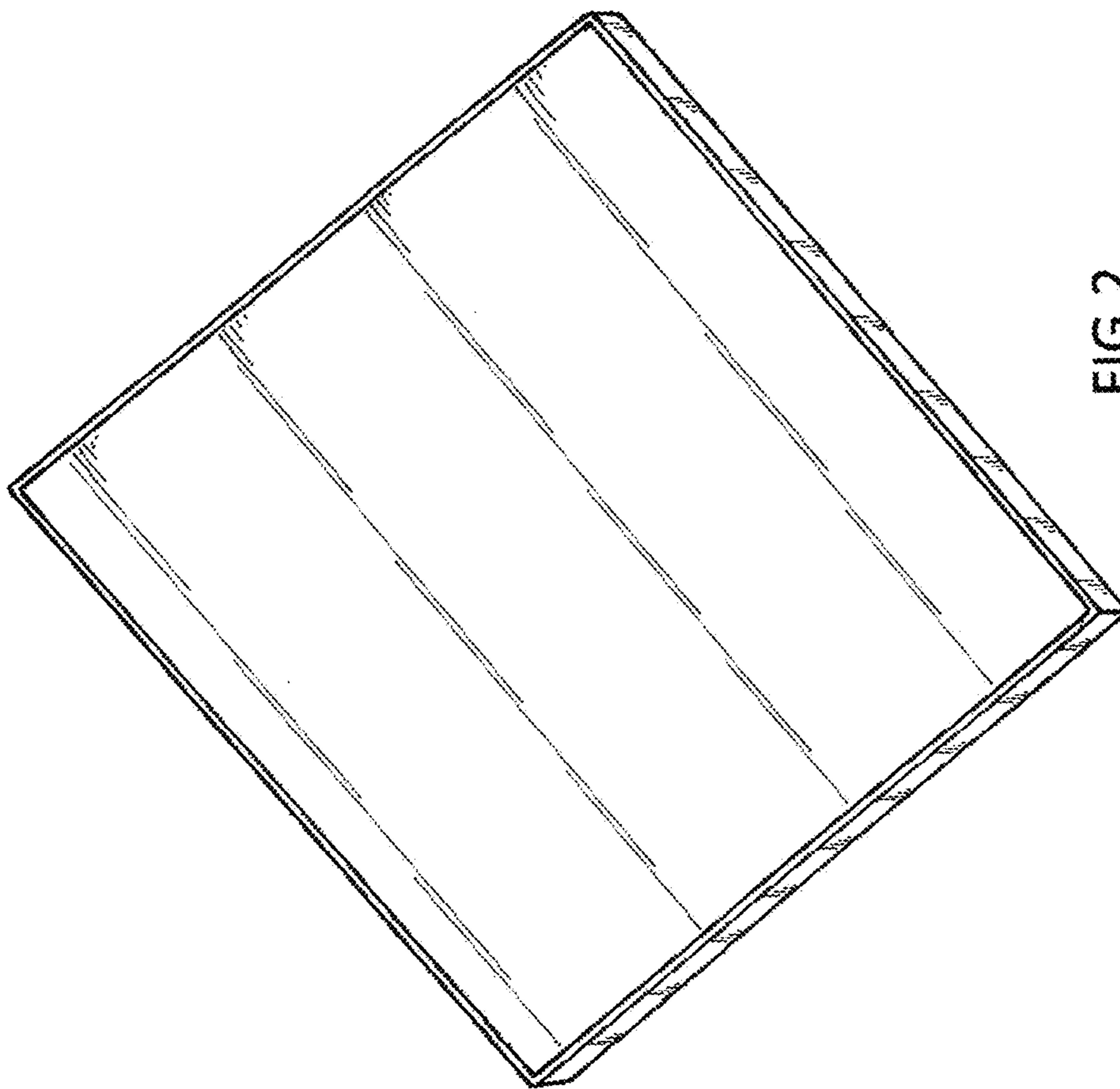


FIG.2

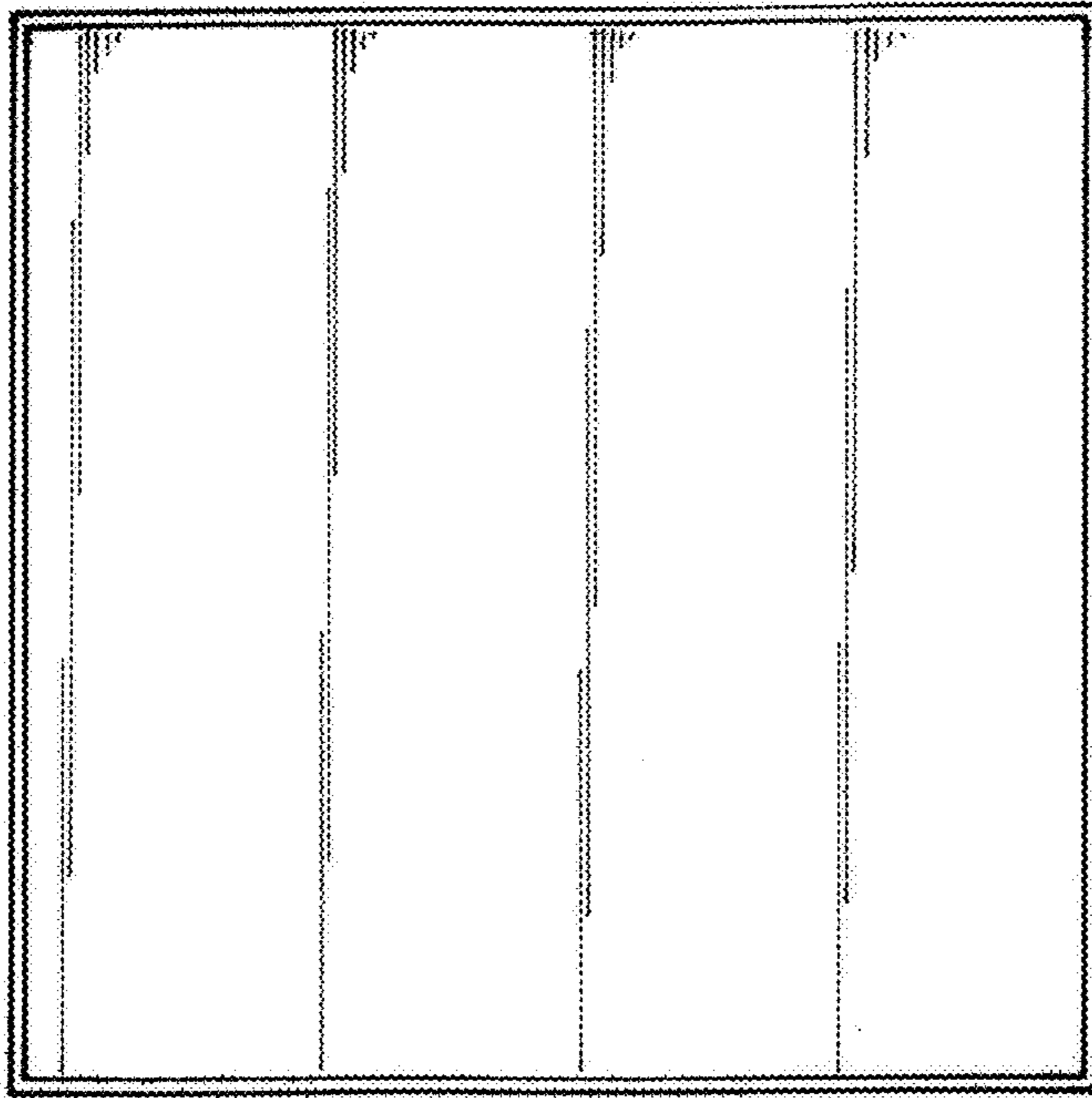


FIG.3

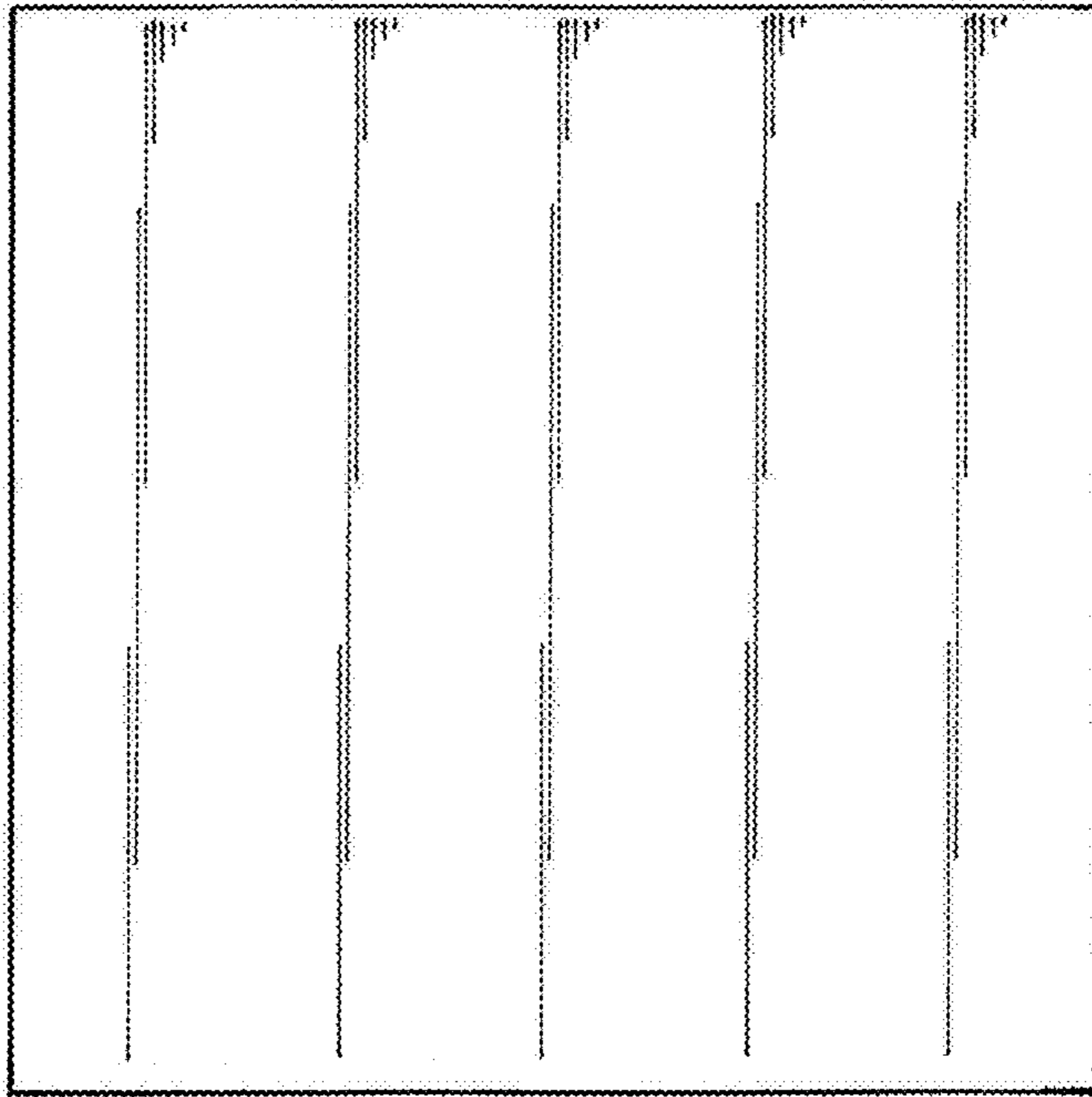


FIG.4

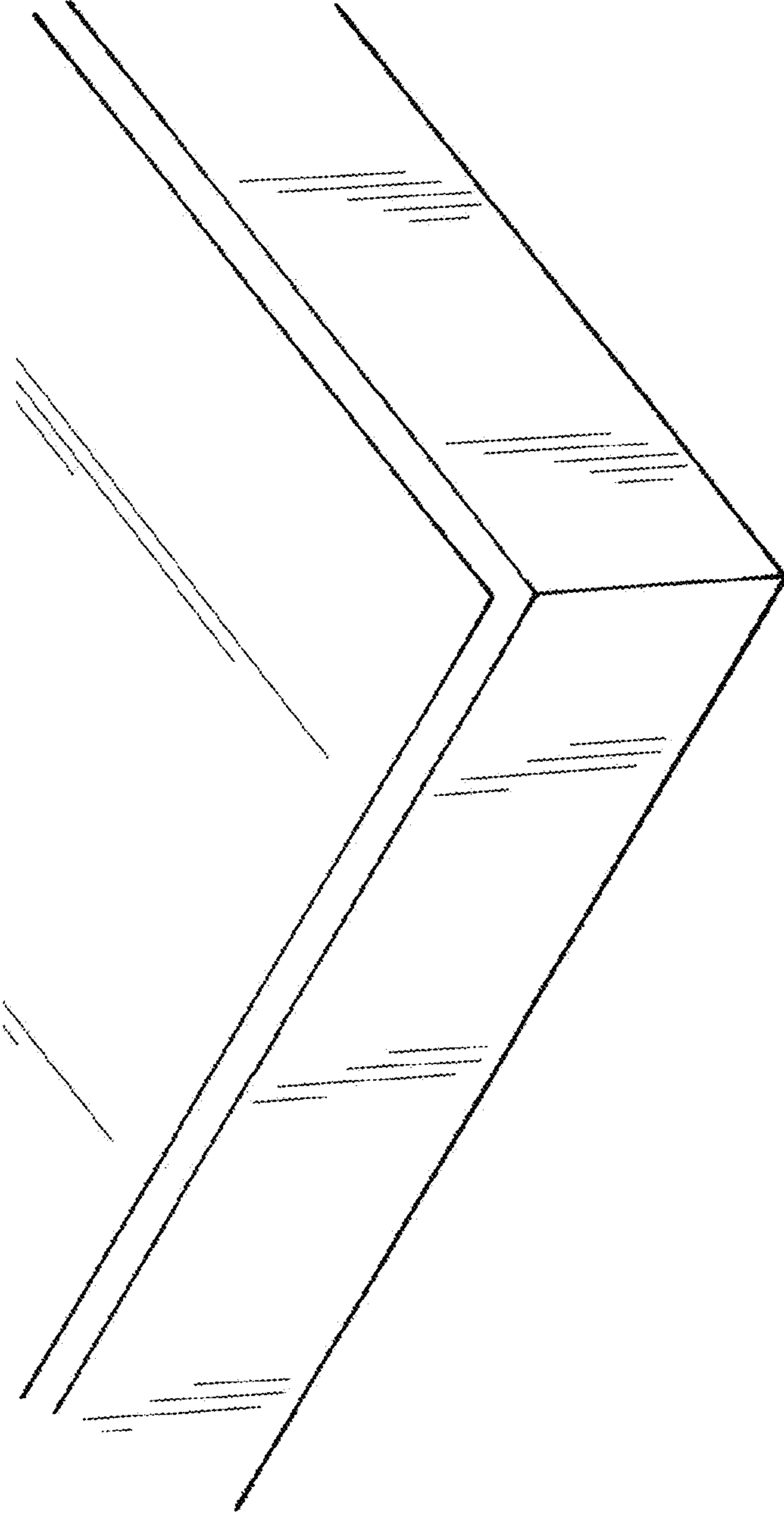


FIG.5