



US00D861189S

(12) **United States Design Patent** (10) **Patent No.:** **US D861,189 S**  
**Lampropoulos et al.** (45) **Date of Patent:** **\*\* Sep. 24, 2019**

(54) **MEDICAL DEVICE DISPENSER**  
(71) Applicant: **Merit Medical Systems, Inc.**, South Jordan, UT (US)  
(72) Inventors: **Fred Lampropoulos**, Salt Lake City, UT (US); **Michael Daily**, Salt Lake City, UT (US); **Frank Gazzano**, Mesa, AZ (US); **Christopher Cindrlich**, Draper, UT (US)

D599,012 S \* 8/2009 Falbaum ..... D24/121  
D691,710 S \* 10/2013 White ..... D24/107  
D694,423 S \* 11/2013 Klein ..... D24/219  
D717,465 S \* 11/2014 Muraoka ..... D24/216  
D733,866 S \* 7/2015 Warden ..... D24/110  
D773,848 S \* 12/2016 Yang ..... D6/542  
D799,717 S \* 10/2017 Bohm ..... D24/232  
D802,714 S \* 11/2017 Williamson ..... D23/213  
D829,465 S \* 10/2018 Yang ..... D6/542  
2008/0277411 A1 \* 11/2008 Beland ..... B65D 83/205  
222/52

(73) Assignee: **Merit Medical Systems, Inc.**, South Jordan, UT (US)

**FOREIGN PATENT DOCUMENTS**

JP D2015-26544 \* 11/2015

(\*\*) Term: **15 Years**

\* cited by examiner

(21) Appl. No.: **29/617,189**

*Primary Examiner* — Susan Bennett Hattan

*Assistant Examiner* — Omeed Agilee

(22) Filed: **Sep. 12, 2017**

(74) *Attorney, Agent, or Firm* — Stoel Rives LLP

(51) **LOC (12) Cl.** ..... **24-02**

(52) **U.S. Cl.**  
USPC ..... **D24/224**

(57) **CLAIM**

The ornamental design for a medical device dispenser, as shown and described.

(58) **Field of Classification Search**  
USPC ..... D24/107, 108, 111–114, 117, 127, 186,  
D24/216, 223, 224, 231, 232, 233;  
D23/211, 213; D10/81, 97  
CPC ..... A61J 1/035; A61J 1/0481; B05B 1/00–08;  
B05B 1/20; B05B 15/063  
See application file for complete search history.

**DESCRIPTION**

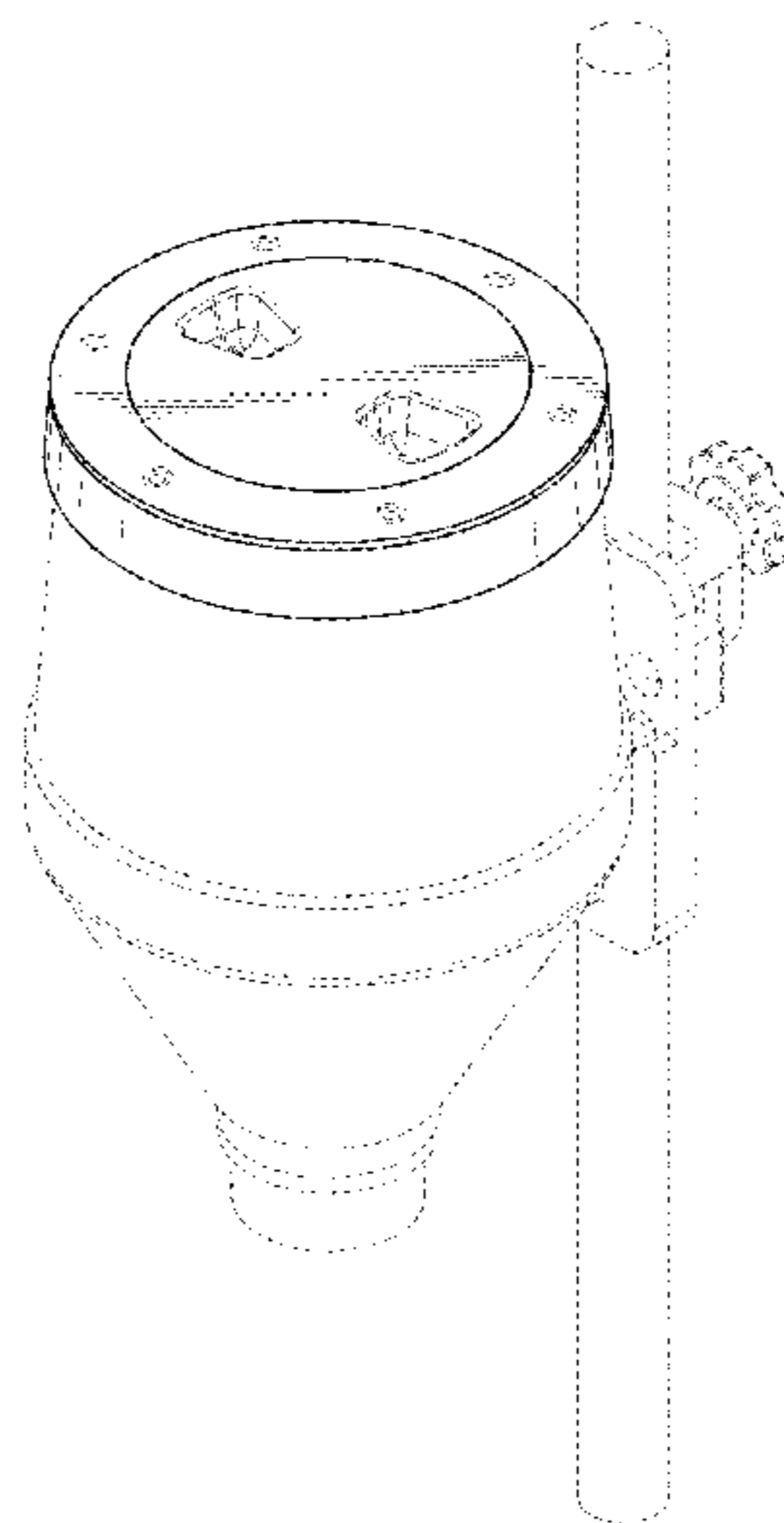
FIG. 1 is a first perspective view of a medical device dispenser.  
FIG. 2 is a second perspective view thereof.  
FIG. 3 is a front view thereof.  
FIG. 4 is a back view thereof.  
FIG. 5 is a right side view thereof.  
FIG. 6 is a left side view thereof.  
FIG. 7 is a top view thereof; and,  
FIG. 8 is a bottom view thereof.  
The broken lines in the drawings depict portions of the medical device dispenser that form no part of the claimed design.

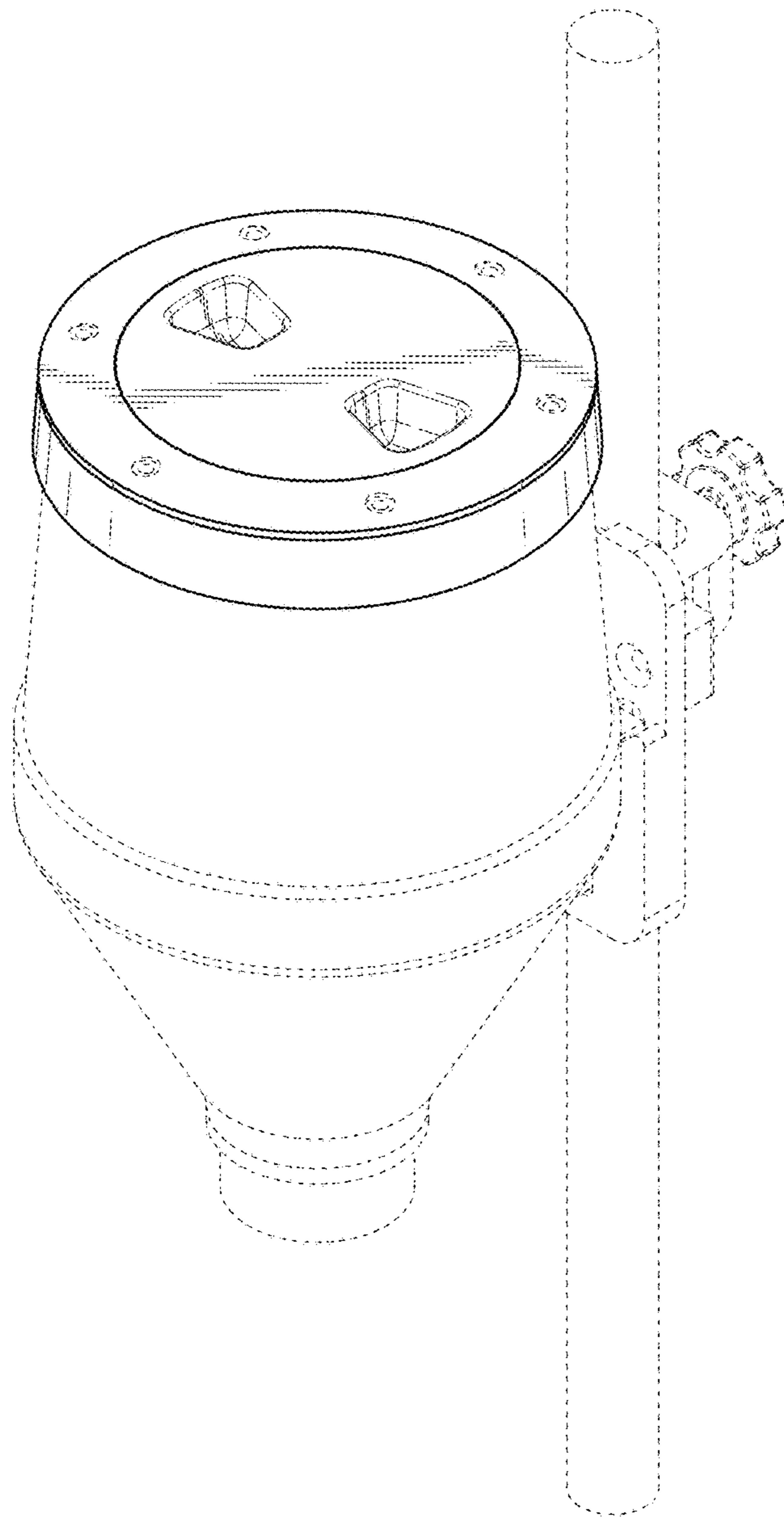
(56) **References Cited**

**U.S. PATENT DOCUMENTS**

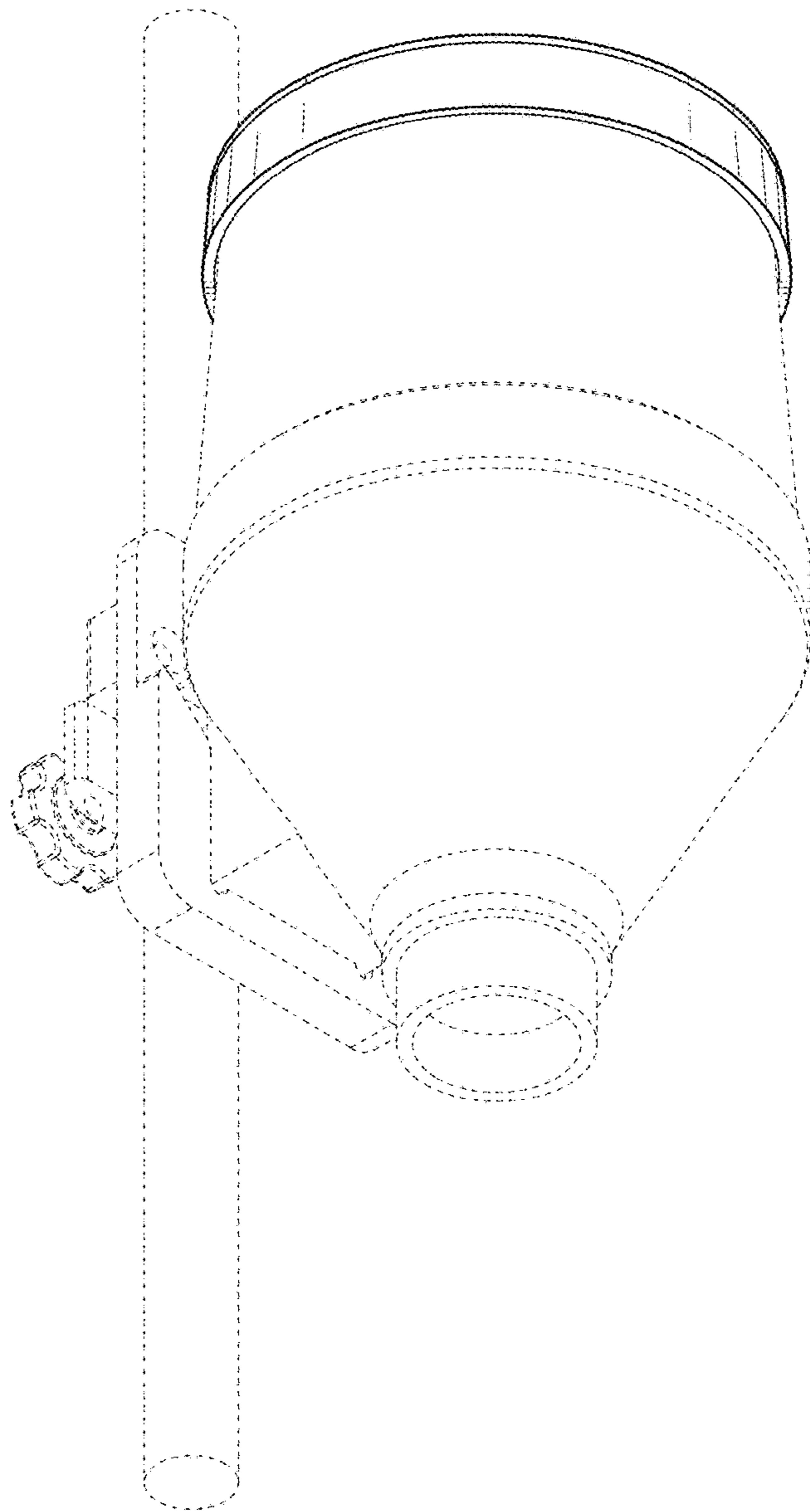
5,271,528 A \* 12/1993 Chien ..... F16N 11/08  
184/38.4  
D346,661 S \* 5/1994 Thomson ..... D24/224  
D376,550 S \* 12/1996 Sims ..... D10/81  
D463,864 S \* 10/2002 Treadwell ..... D24/224  
D514,227 S \* 1/2006 Percival ..... D10/78  
D536,850 S \* 2/2007 Sacks ..... D23/213

**1 Claim, 8 Drawing Sheets**

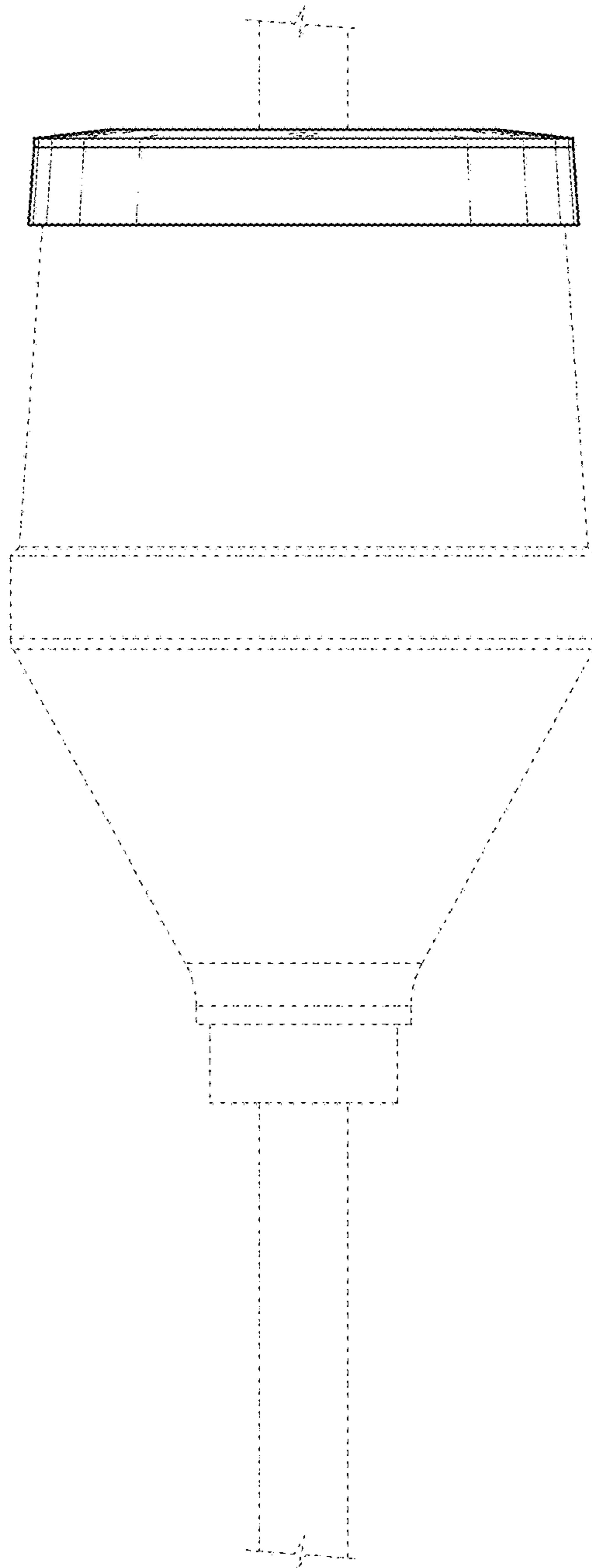




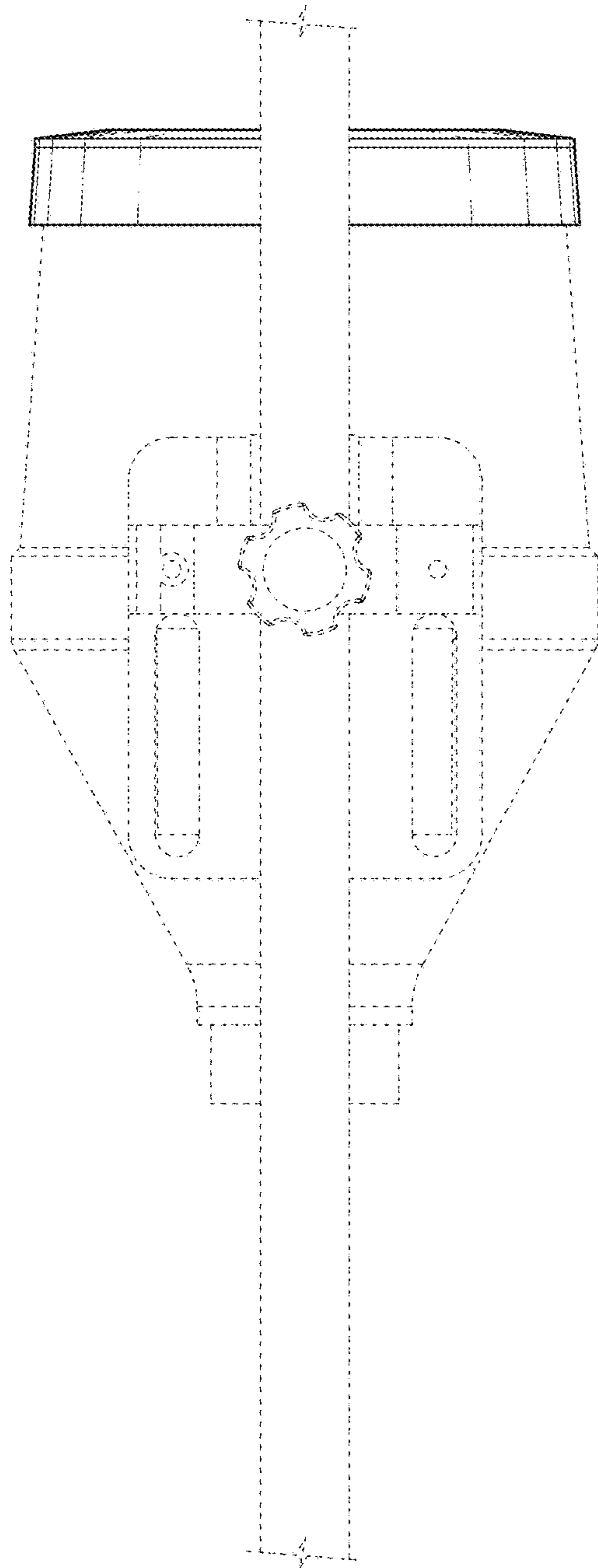
**FIG. 1**



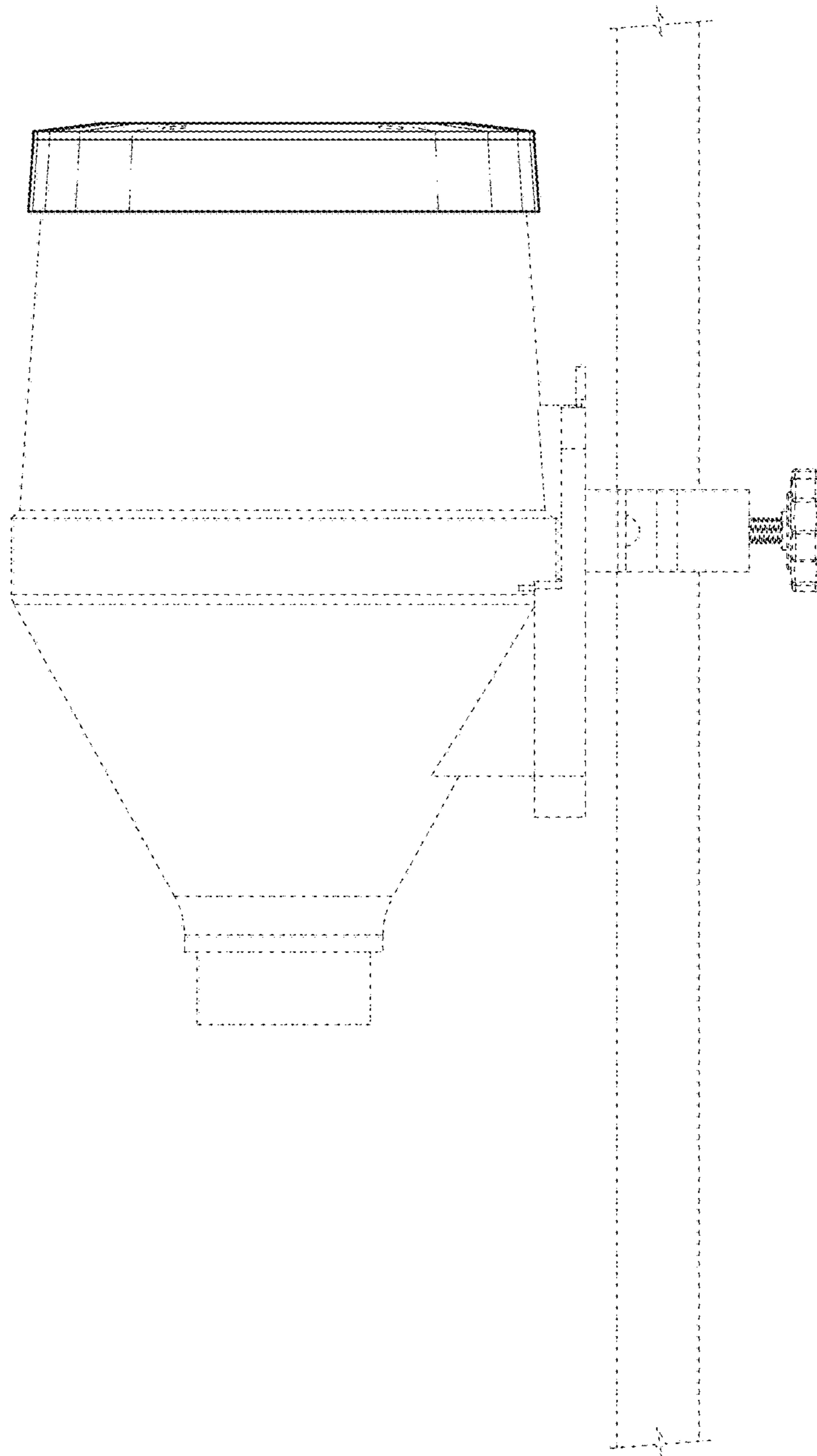
**FIG. 2**



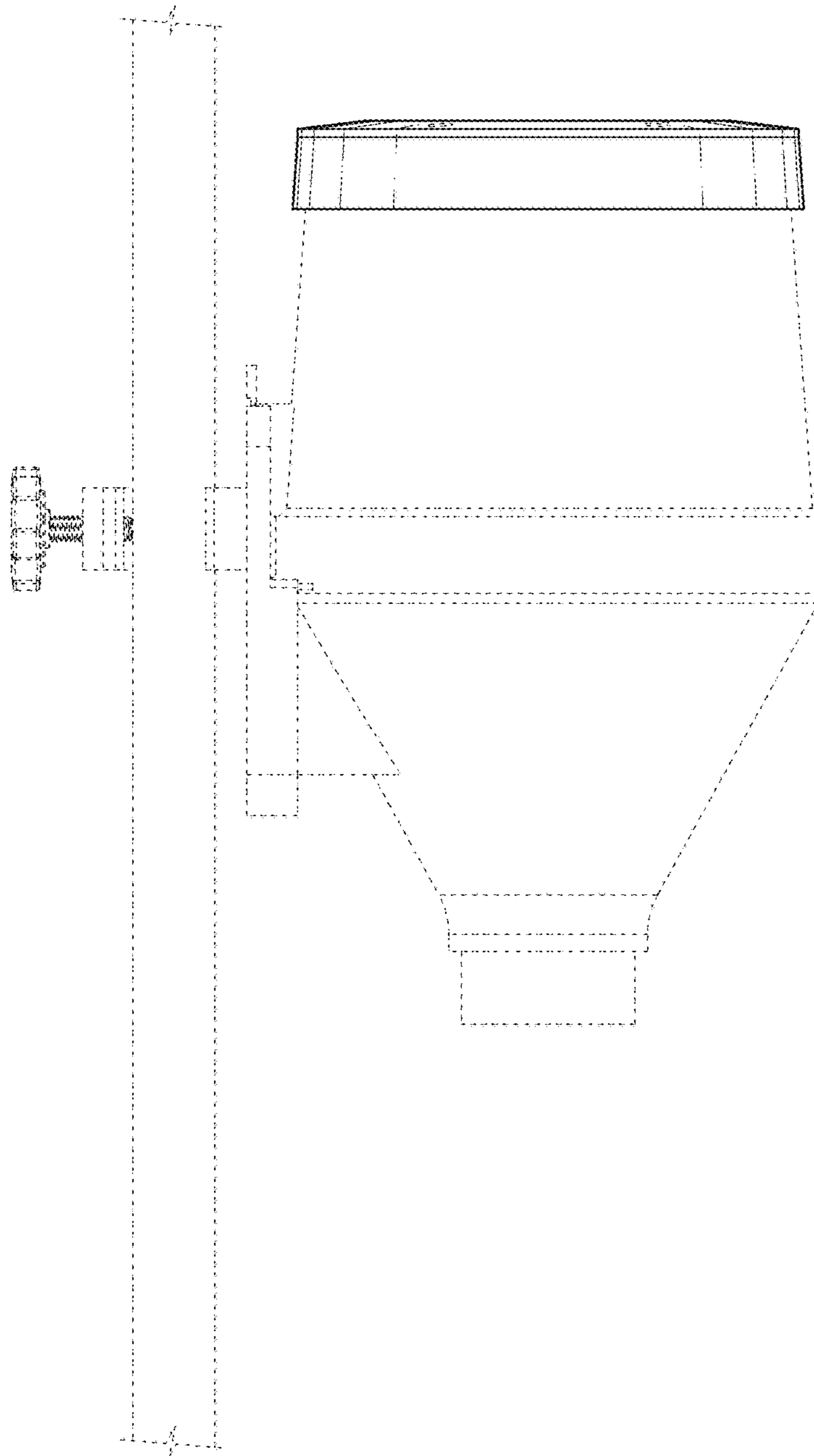
**FIG. 3**



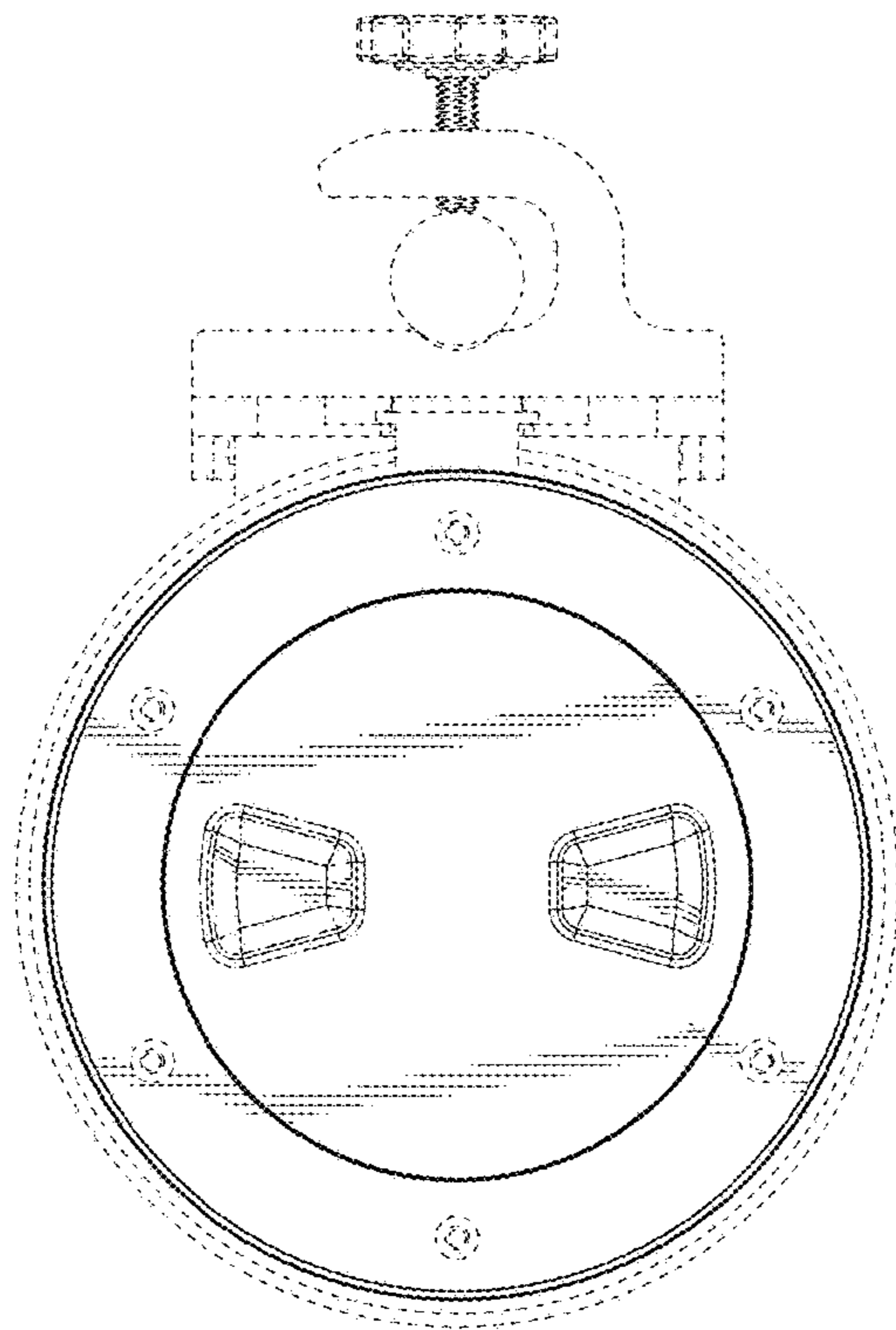
**FIG. 4**



**FIG. 5**

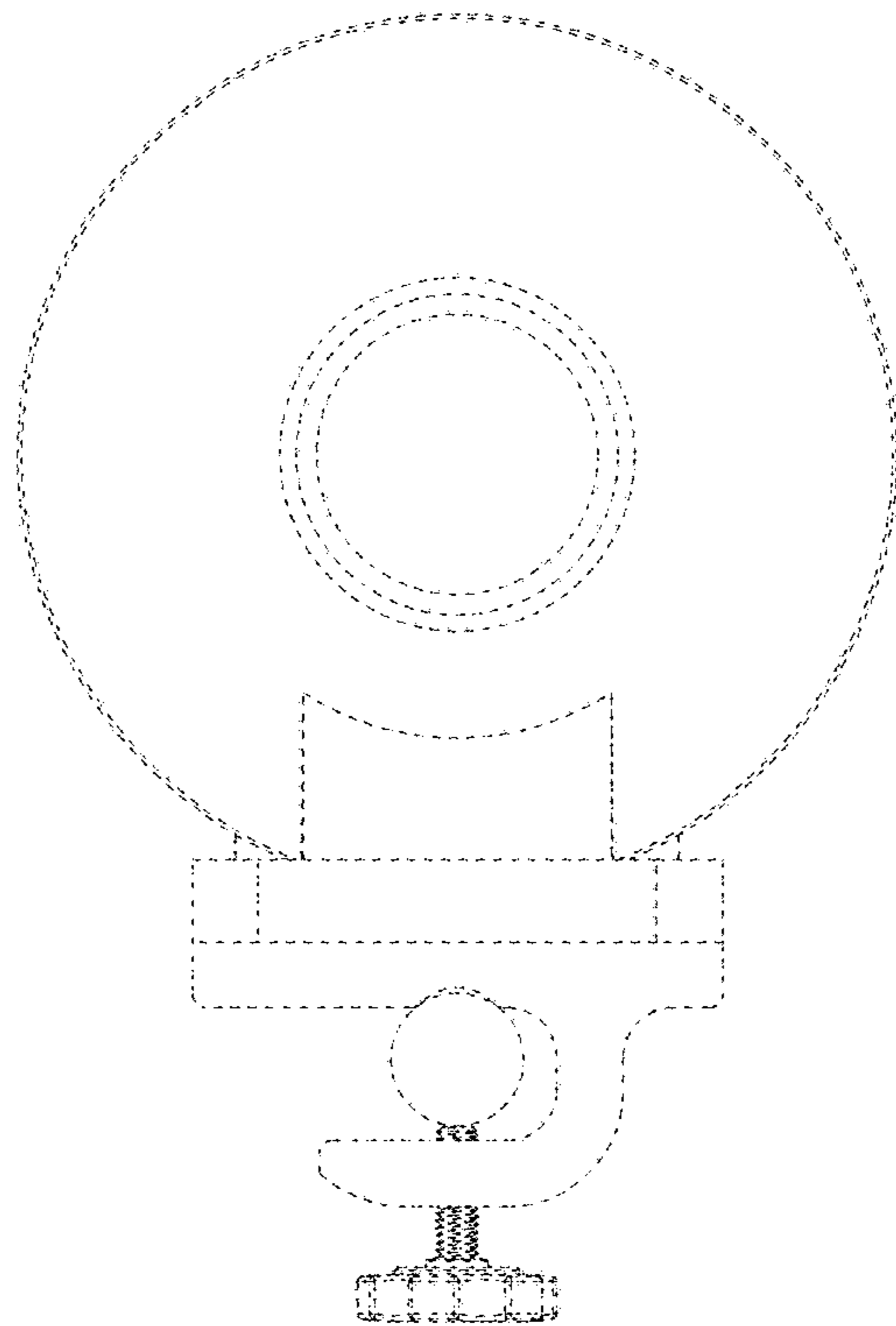


**FIG. 6**



**FIG. 7**





**FIG. 8**