



US00D861183S

(12) **United States Design Patent** (10) **Patent No.:** **US D861,183 S**
Jacobs (45) **Date of Patent:** **** Sep. 24, 2019**

(54) **SCAR TISSUE RELEASE INSTRUMENT**
(71) Applicant: **Joseph Jacobs**, Mission Viejo, CA (US)
(72) Inventor: **Joseph Jacobs**, Mission Viejo, CA (US)
(**) Term: **15 Years**
(21) Appl. No.: **29/653,338**
(22) Filed: **Jun. 14, 2018**
(51) **LOC (12) Cl.** **28-03**
(52) **U.S. Cl.**
USPC **D24/214**
(58) **Field of Classification Search**
USPC 601/15, 18, 19, 27, 28, 29, 30, 31, 32,
601/46, 47, 48, 52, 72, 99, 112, 113, 118,
601/135, 137, DIG. 12, DIG. 14, DIG. 15,
601/DIG. 16, DIG. 17; D24/133, 200,
D24/211, 212, 213, 214, 215; D8/75, 76,
D8/77, 78, 79, 80; 452/141, 146
CPC A61H 15/0092; A22C 9/007
See application file for complete search history.

D668,761 S * 10/2012 Schad D24/133
D717,128 S * 11/2014 Gorowski A22C 9/008
D747,811 S * 1/2016 Jacobs D24/214
D747,812 S * 1/2016 Jacobs D24/214
D748,278 S * 1/2016 Jacobs D24/214
D778,136 S * 2/2017 Chen D8/77
D833,028 S * 11/2018 Olivares D24/215
D837,018 S * 1/2019 Goldiner D8/77

OTHER PUBLICATIONS

Amazon, "ASTR A3 Scar Tissue Release Tool", Jun. 24, 2019.
https://www.amazon.com/ASTR-Scar-Tissue-Release-Tool/dp/B07Q3Z4M1T/ref=pd_ybh_a_32?_encoding=UTF8&refRID=QE0FC4TY22PAQPW6E0RX&th=1. Shown on p. 1. (Year: 2019).*

* cited by examiner

Primary Examiner — Cynthia Ramirez
Assistant Examiner — Michael A Maharajh
(74) *Attorney, Agent, or Firm* — Eric Karich; Karich & Associates

(56) **References Cited**

U.S. PATENT DOCUMENTS

D282,949 S * 3/1986 Arve D24/214
D298,775 S * 11/1988 Lee D24/214
D415,838 S * 10/1999 Noble D24/214
D418,226 S * 12/1999 Cody D24/186
D437,642 S * 2/2001 Caballero D24/133
D529,620 S * 10/2006 Cooper D24/215
D530,020 S * 10/2006 Cooper D24/215
D549,326 S * 8/2007 Aparici D24/133
D564,323 S * 3/2008 Zubiaurre Alberdi D8/77
D601,252 S * 9/2009 Ra D24/133
7,862,408 B1 * 1/2011 Weinstein A22C 9/007
452/146
D646,384 S * 10/2011 Gauthier D24/133
D646,386 S * 10/2011 Miller D24/133
D647,201 S * 10/2011 Gauthier D24/133

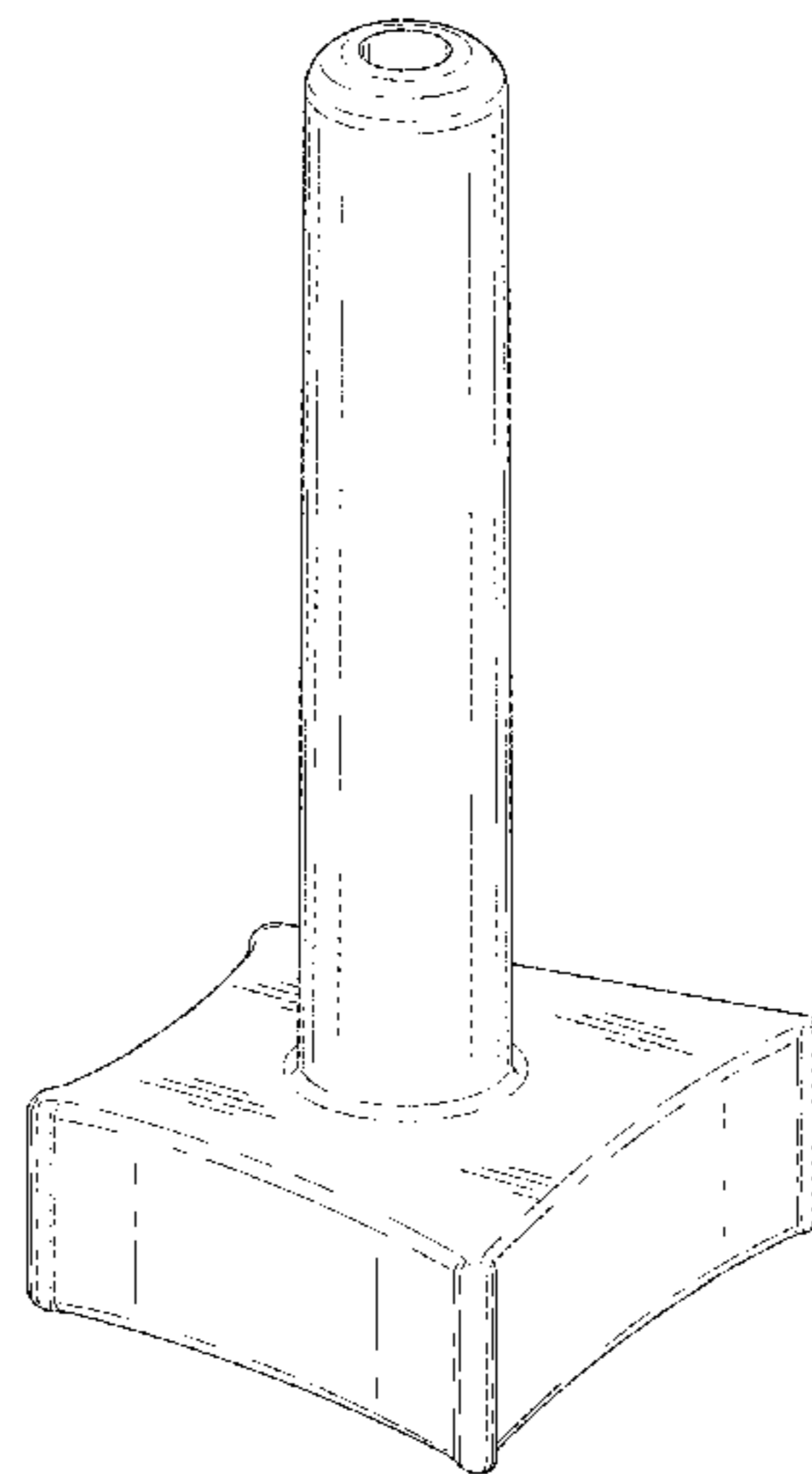
(57) **CLAIM**

The ornamental design for a scar tissue release instrument, as shown and described.

DESCRIPTION

FIG. 1 is a top perspective view of a scar tissue release instrument, showing my new design;
FIG. 2 is a bottom perspective view thereof;
FIG. 3 is a front elevational view thereof;
FIG. 4 is a rear elevational view thereof;
FIG. 5 is a left side elevational view thereof;
FIG. 6 is a right side elevational view thereof;
FIG. 7 is a top plan view thereof; and,
FIG. 8 is a bottom plan view thereof.

1 Claim, 3 Drawing Sheets



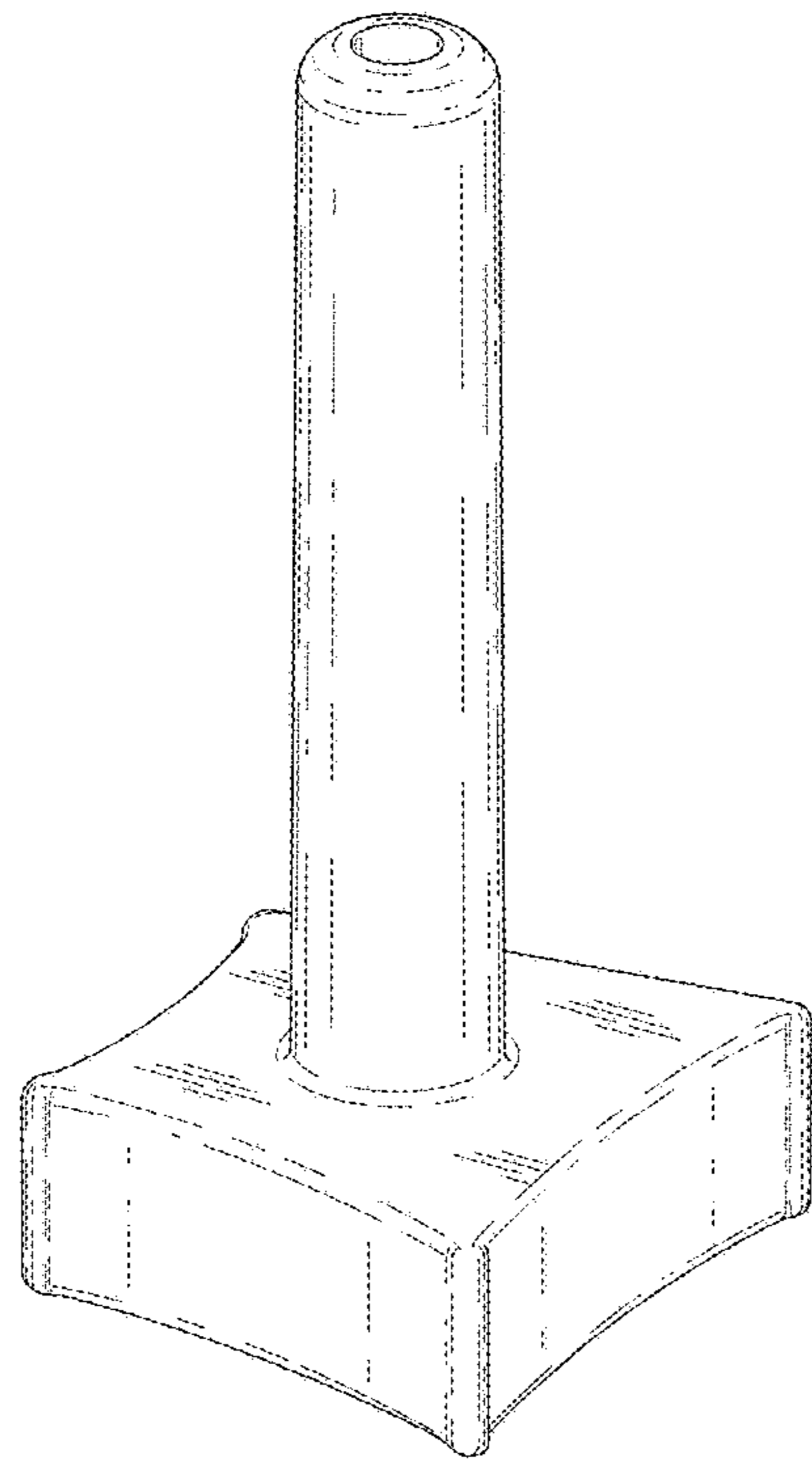


Fig. 1

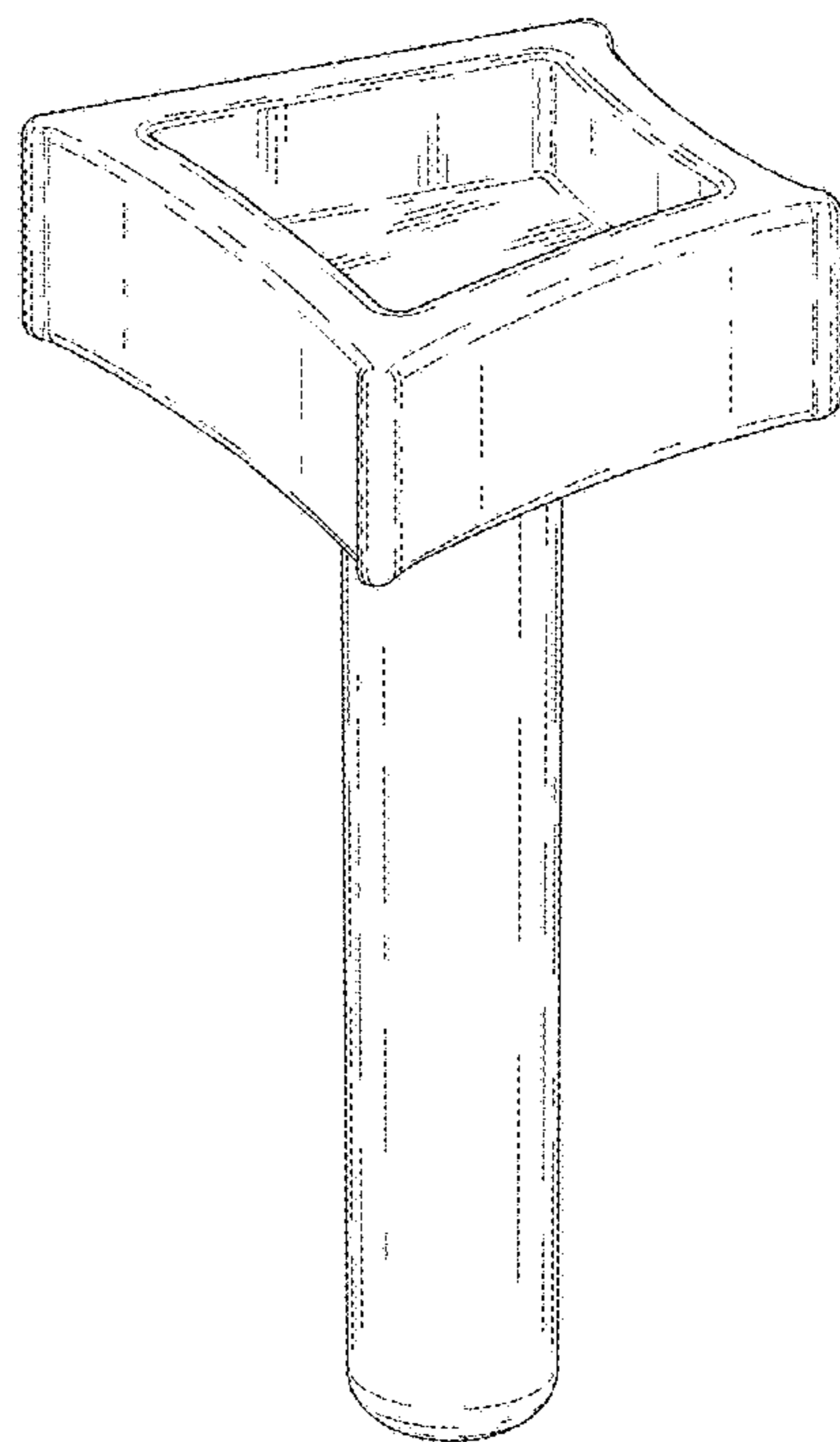


Fig. 2

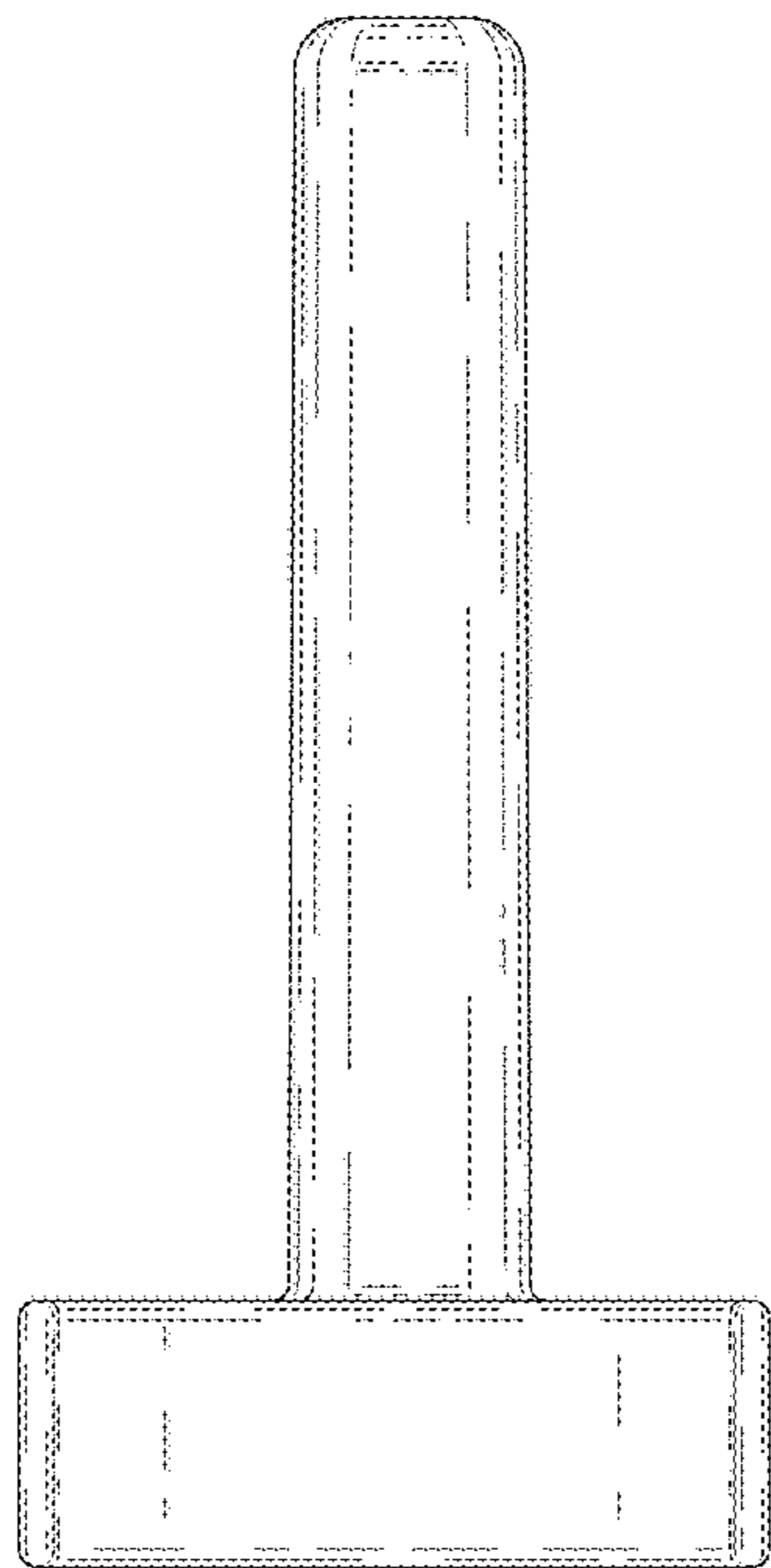


Fig. 3

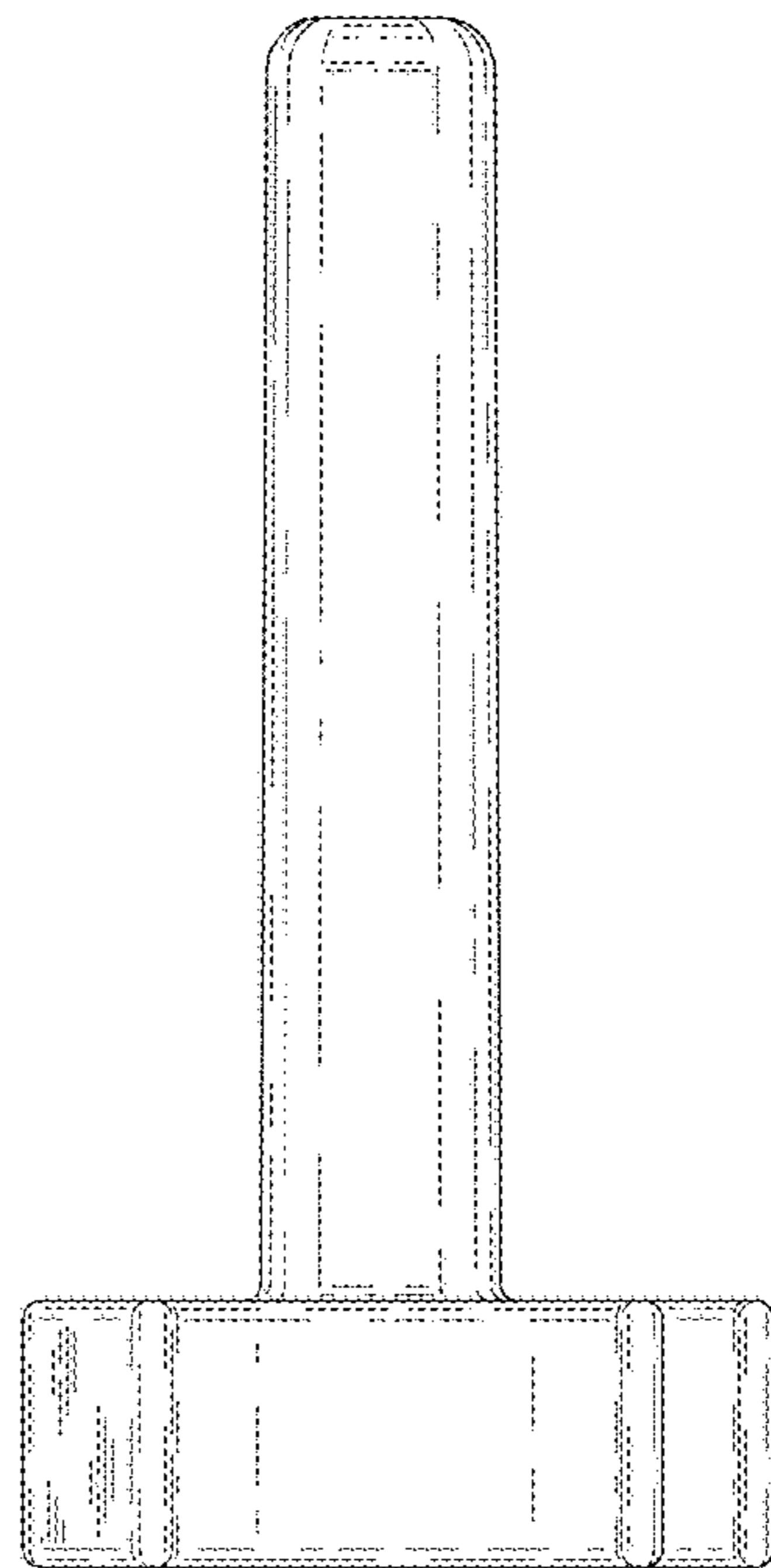


Fig. 4

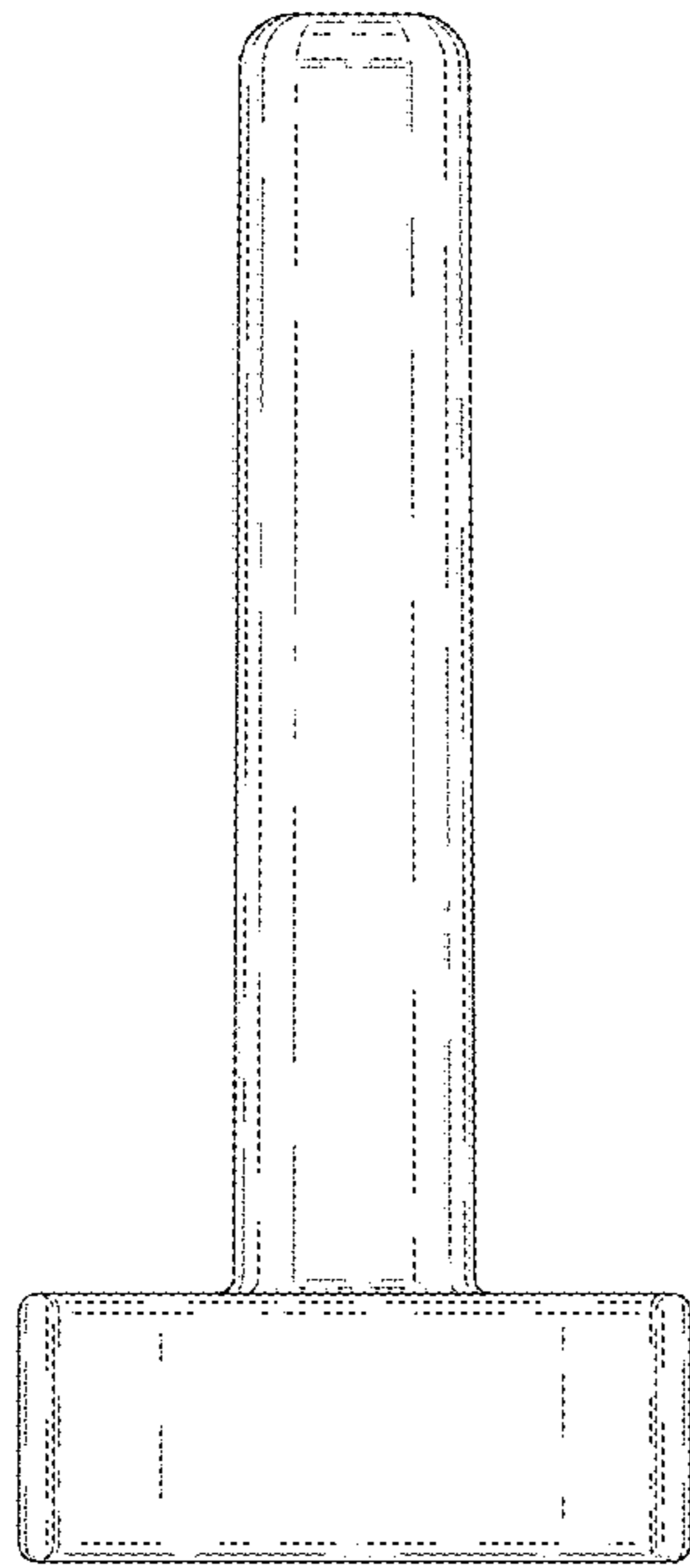


Fig. 5

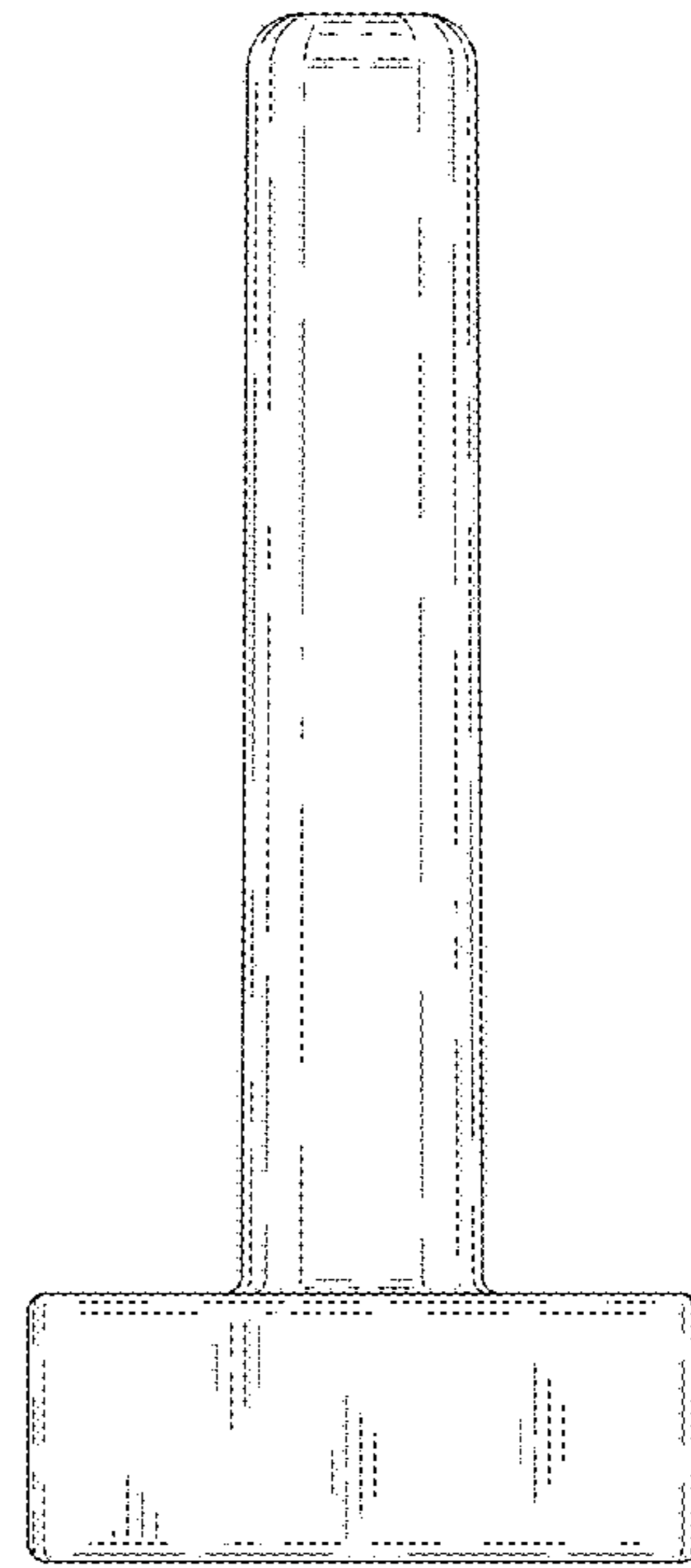


Fig. 6

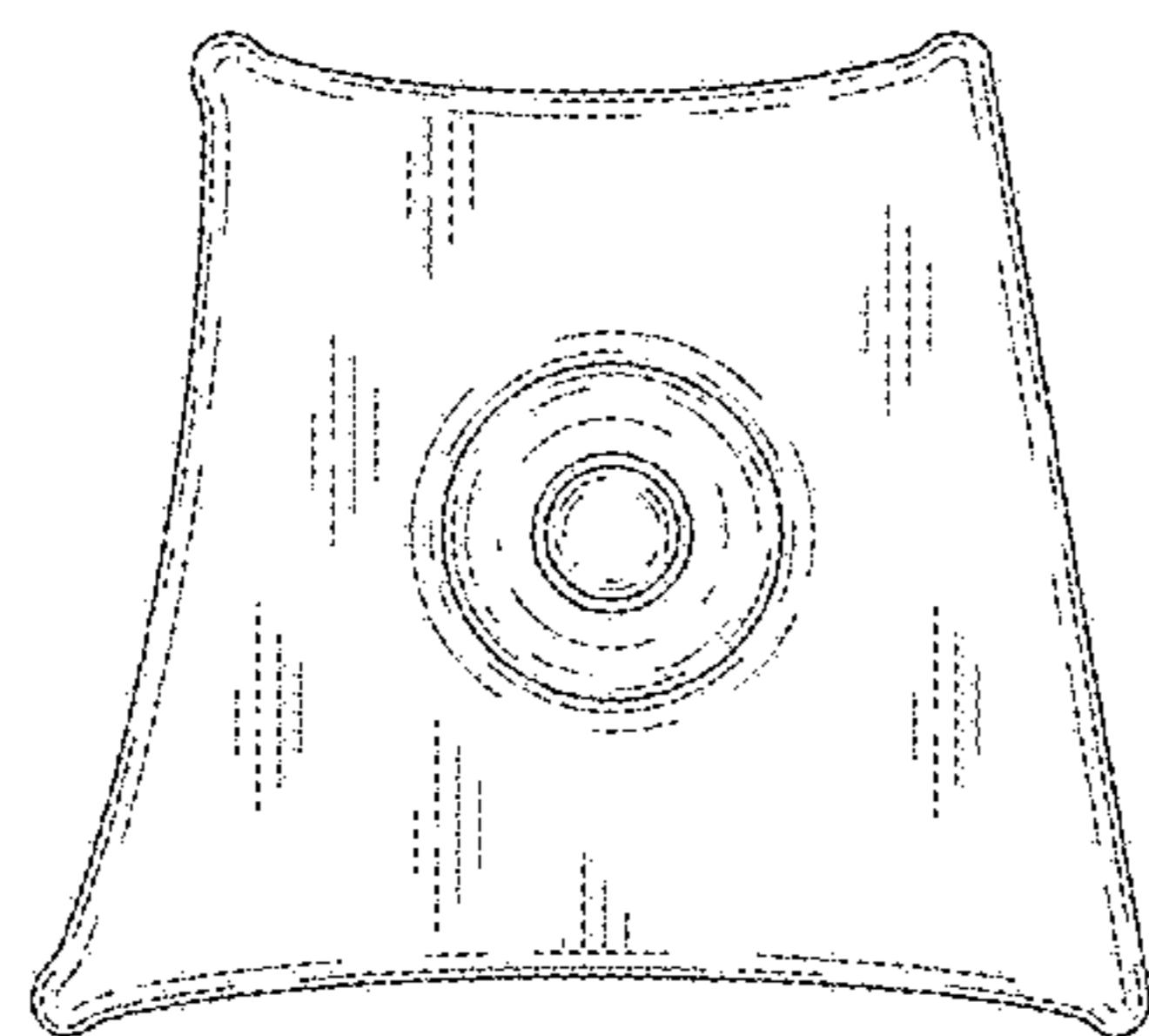


Fig. 7

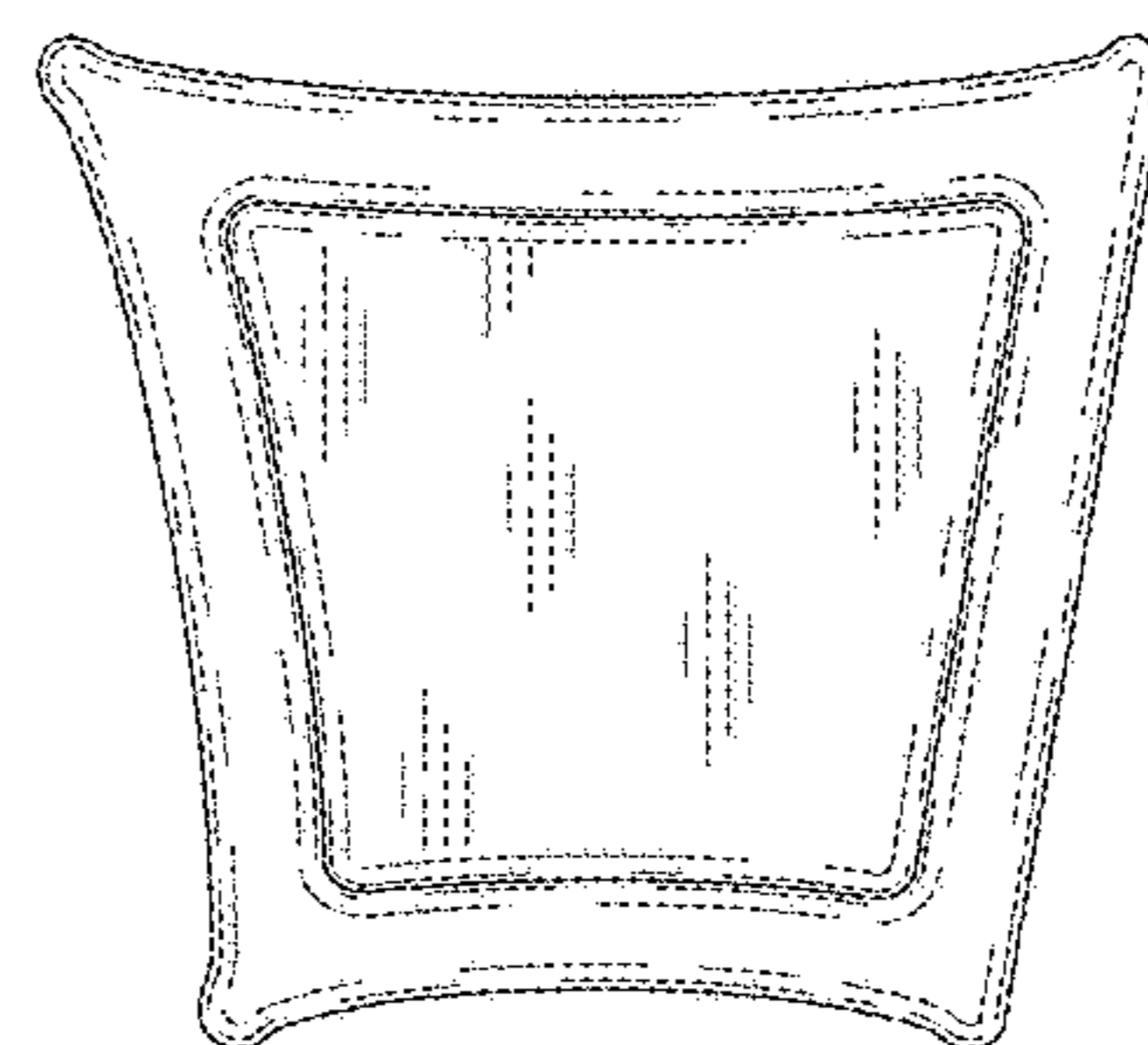


Fig. 8