



US00D861182S

(12) **United States Design Patent** (10) **Patent No.:** **US D861,182 S**  
**Wersland et al.** (45) **Date of Patent:** **\*\* Sep. 24, 2019**

(54) **MESSAGE ELEMENT**

(71) Applicant: **THERAGUN, LLC**, Santa Monica, CA (US)

(72) Inventors: **Jason Wersland**, Manhattan Beach, CA (US); **Michael Waldron**, Dunnington (GB); **Geert Ensing**, Shanghai (CN)

(73) Assignee: **THERAGUN, LLC**, Santa Monica, CA (US)

(\*\*) Term: **15 Years**

(21) Appl. No.: **29/690,359**

(22) Filed: **May 7, 2019**

**Related U.S. Application Data**

(63) Continuation of application No. 29/637,060, filed on Feb. 13, 2018, now Pat. No. Des. 849,261, which is a continuation-in-part of application No. 15/647,050, filed on Jul. 11, 2017.

(51) **LOC (12) Cl.** ..... **28-03**

(52) **U.S. Cl.**  
USPC ..... **D24/211**

(58) **Field of Classification Search**  
USPC ..... 52/574; 273/153 P, 153 R, 153 S, 157 R, 273/160; 434/211, 259; 600/38; 601/15, 601/18, 19, 27, 28, 29, 30, 31, 32, 46, 47, 601/48, 52, 72, 99, 112, 113, 118, 135, 601/137, DIG. 12, DIG. 14, DIG. 15, 601/DIG. 16, DIG. 17; D21/505; D24/200, 211, 212, 213, 214, 215; D9/434, 443, 454; D8/378; D11/181; D26/113, 154  
CPC ..... A61H 15/0085; A61H 23/0263; A61H 15/00; A61H 39/04; A61H 15/0092; A61H 7/001; A61H 7/003; A61H 23/006; A61H 19/34; A61H 7/007; A61H 7/004; A61H 7/005; F16G 13/16; A63B 19/00; A47C 16/025; A61F 5/41; F16B 7/042

See application file for complete search history.

(56) **References Cited**

**U.S. PATENT DOCUMENTS**

D192,758 S \* 5/1962 Rijnovan ..... D9/443  
D197,192 S \* 12/1963 Lorenzen ..... D9/443  
4,628,915 A \* 12/1986 Chaney ..... A61F 5/41  
600/41  
D347,282 S \* 5/1994 Yoo ..... D24/200  
D356,035 S \* 3/1995 Kim ..... D9/454  
5,470,303 A \* 11/1995 Leonard ..... A61H 19/34  
600/38  
D417,008 S \* 11/1999 Chien ..... D24/211

(Continued)

**OTHER PUBLICATIONS**

Amazon, "TheraGun G2PRO Professional Massager", Nov. 18, 2017. [https://www.amazon.com/TheraGun-G2PRO-Professional-Massager/dp/B07578H2GX/ref=sr\\_1\\_8?keywords=TheraGun+G2PRO+Professional+Massager&qid=1560873514&s=gateway&sr=8-8](https://www.amazon.com/TheraGun-G2PRO-Professional-Massager/dp/B07578H2GX/ref=sr_1_8?keywords=TheraGun+G2PRO+Professional+Massager&qid=1560873514&s=gateway&sr=8-8). Shown on p. 1. (Year: 2017).\*

*Primary Examiner* — Cynthia Ramirez

*Assistant Examiner* — Michael A Maharajh

(74) *Attorney, Agent, or Firm* — Jeffer Mangels Butler & Mitchell LLP; Brennan C. Swain, Esq.

(57) **CLAIM**

The ornamental design for a message element, as shown and described.

**DESCRIPTION**

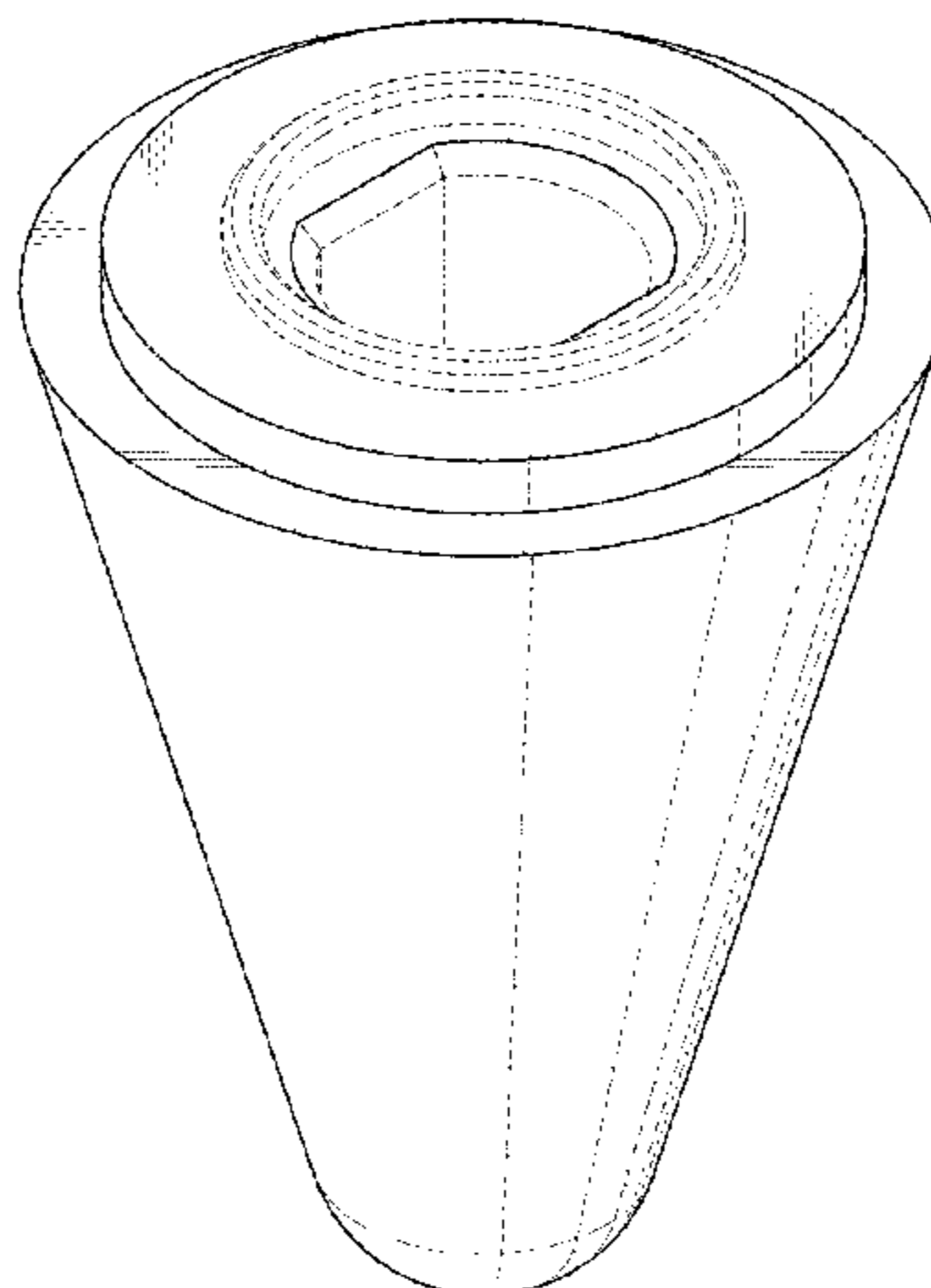
FIG. 1 is a perspective view of a message element showing our new design;

FIG. 2 is a front elevational view of the present invention shown in FIG. 1, the rear, right and left side elevational views being mirror images thereof;

FIG. 3 is a top plan view of the present invention shown in FIG. 1; and,

FIG. 4 is a bottom plan view of the present invention shown in FIG. 1.

**1 Claim, 4 Drawing Sheets**



(56)

**References Cited**

U.S. PATENT DOCUMENTS

7,306,570 B1 \* 12/2007 Julian ..... A61H 7/007  
601/134  
D639,430 S \* 6/2011 Yoo ..... D24/146  
D639,431 S \* 6/2011 Yoo ..... D24/146  
8,105,253 B2 \* 1/2012 Chen ..... A61H 7/004  
601/112  
8,518,001 B2 \* 8/2013 Hasenoehrl ..... A45D 34/04  
601/112  
8,864,690 B2 \* 10/2014 Fuster ..... A61H 7/005  
601/103  
D728,382 S \* 5/2015 Goswell ..... D9/504  
D849,261 S \* 5/2019 Wersland ..... D24/211  
2019/0015294 A1 \* 1/2019 Nazarian ..... A61H 23/006  
2019/0017528 A1 \* 1/2019 Wersland ..... F16B 7/042

\* cited by examiner

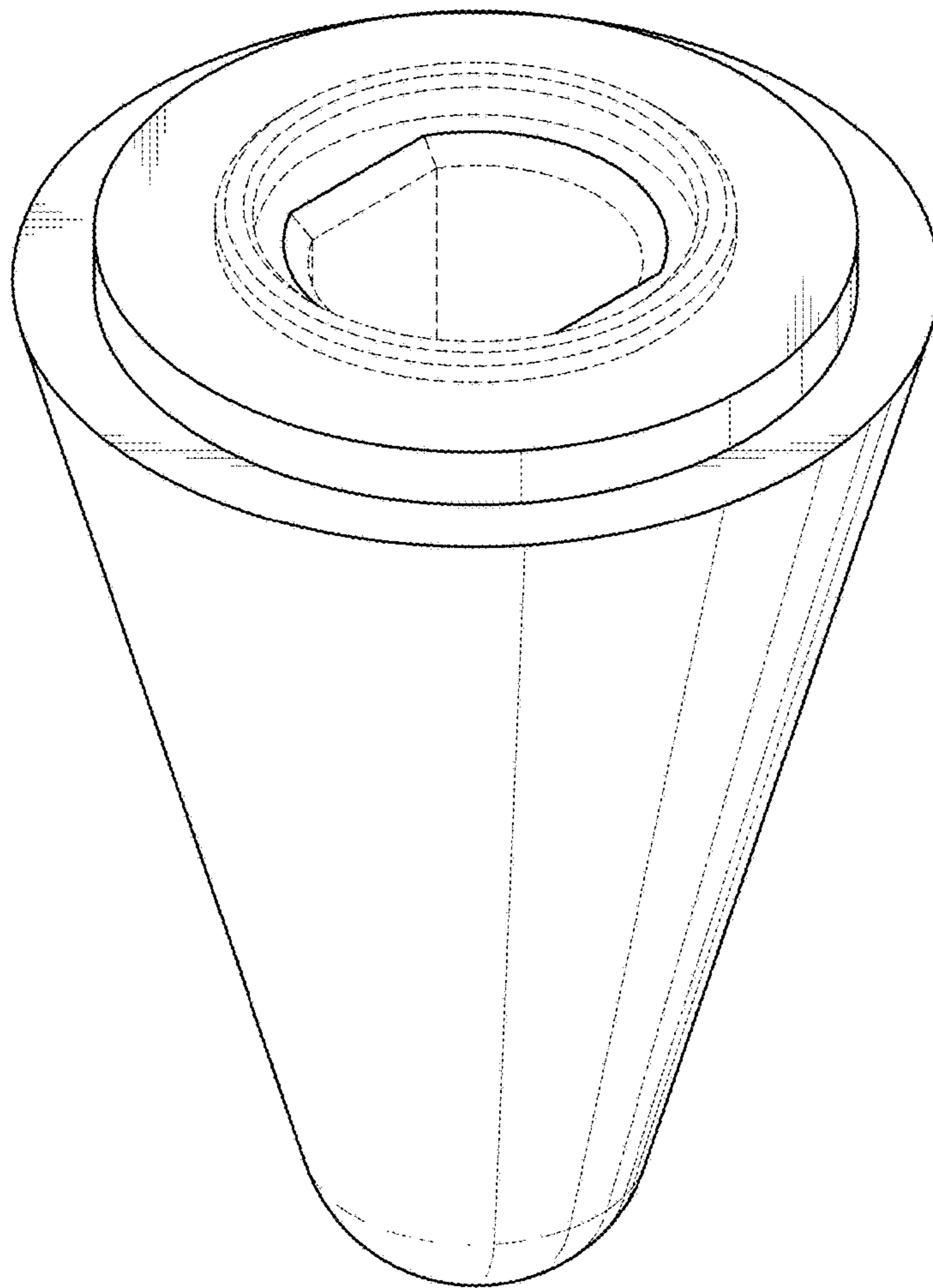


FIG. 1

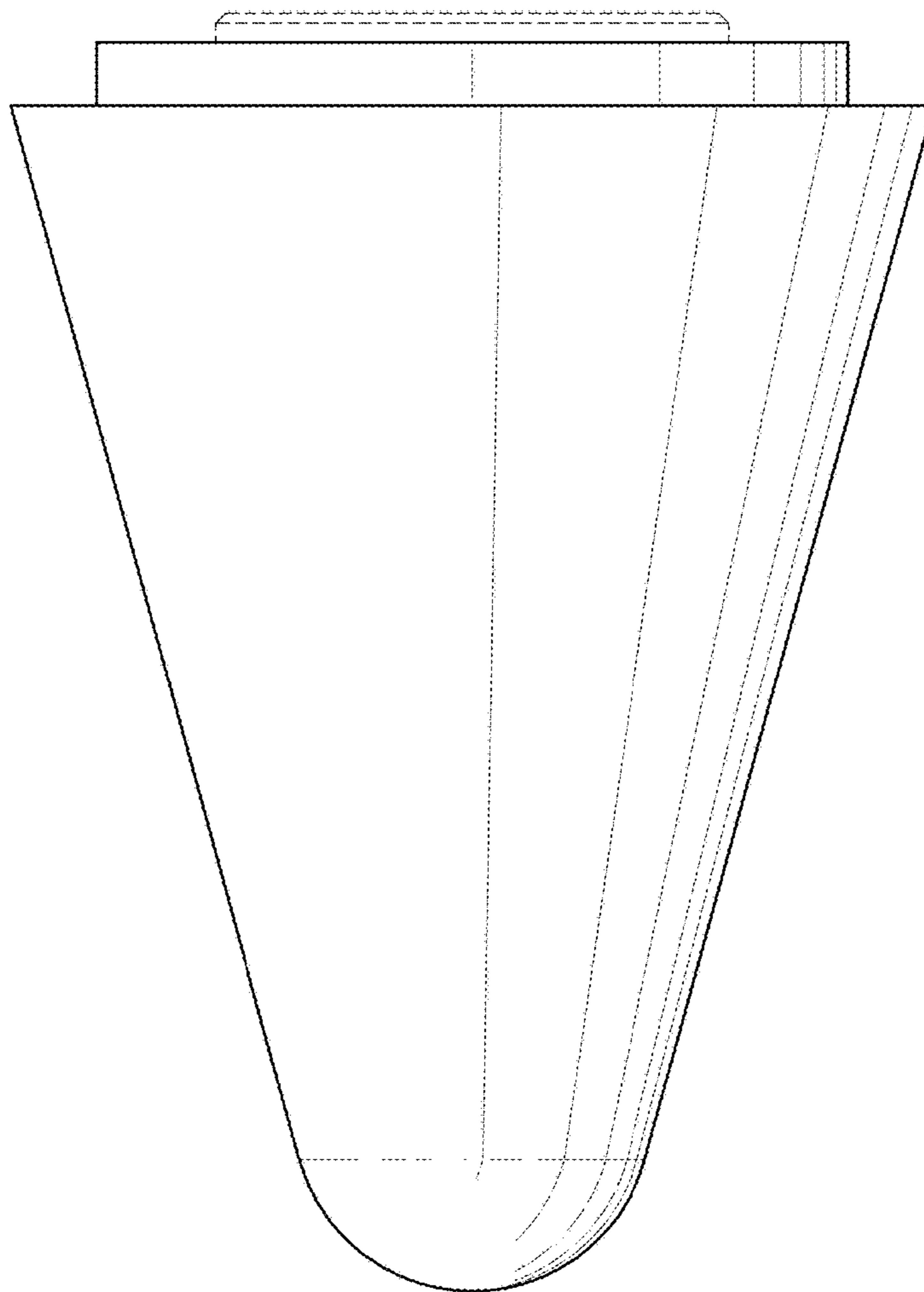
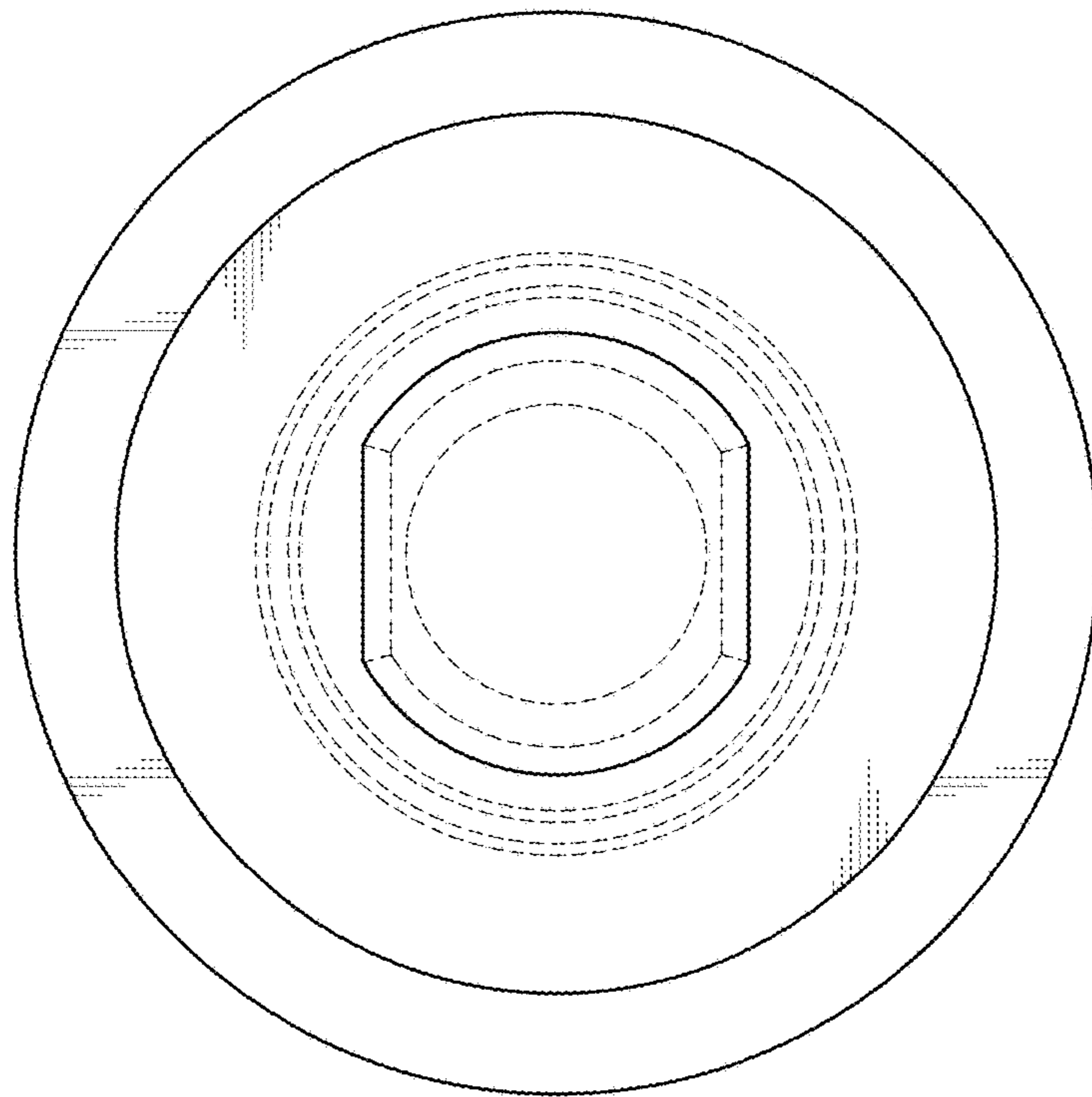


FIG. 2



*FIG. 3*

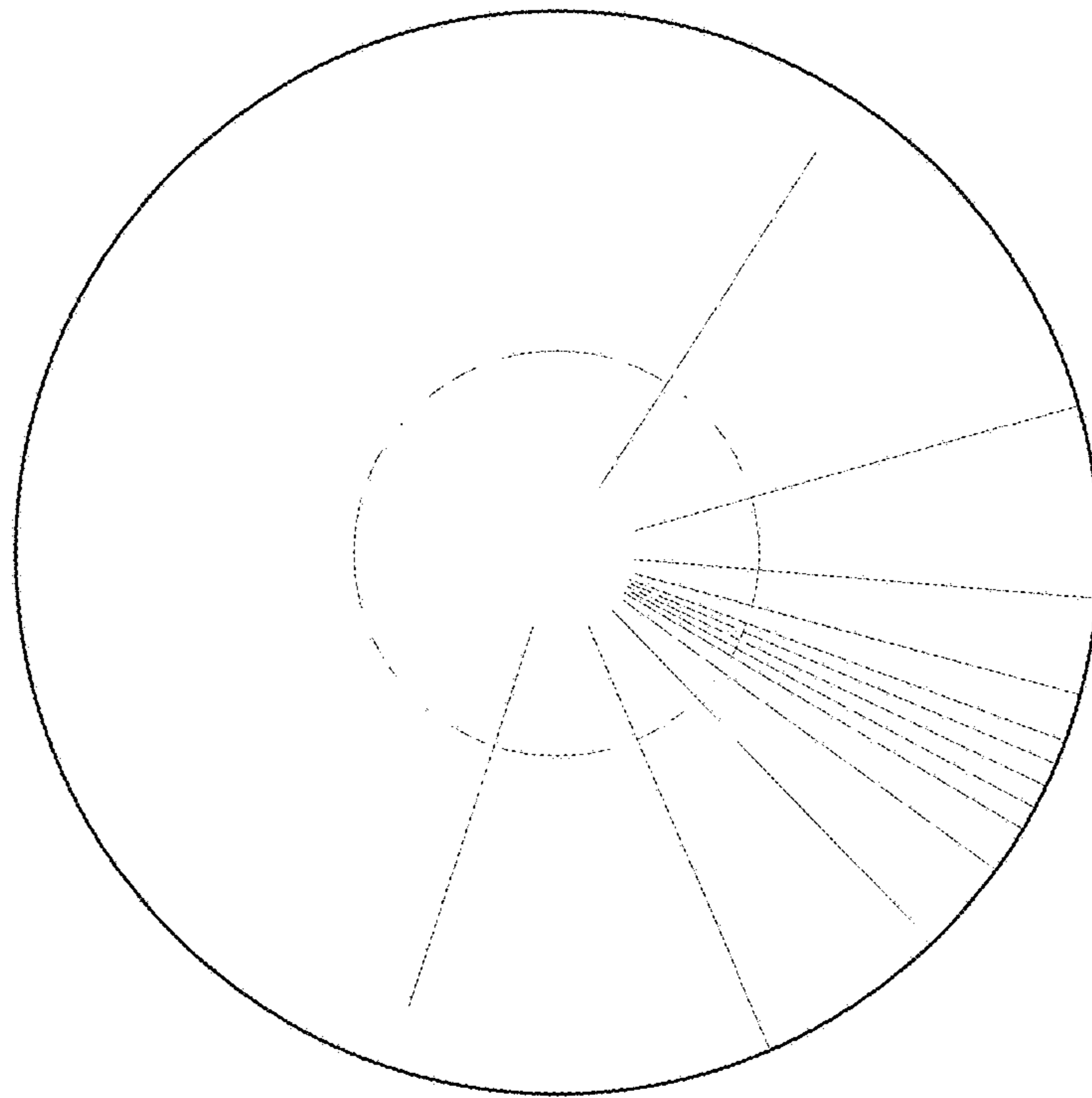


FIG. 4