



US00D861178S

(12) **United States Design Patent**
Emery et al.

(10) **Patent No.:** **US D861,178 S**

(45) **Date of Patent:** **** Sep. 24, 2019**

(54) **ULTRASOUND THERAPEUTIC TREATMENT
TRANSDUCER**

(71) Applicant: **Ulthera, Inc.**, Mesa, AZ (US)

(72) Inventors: **Charles D. Emery**, Gilbert, AZ (US);
Brian Lee Prout, Gilbert, AZ (US);
Dwayne E. Quatier, Chandler, AZ
(US); **Alexander Michael Diener**,
Seattle, WA (US); **Spencer Michael
Denton**, Seattle, WA (US); **Kristin
Marie Will**, Seattle, WA (US); **Luke
David Springer**, Seattle, WA (US);
Trent R. Wetherbee, Spokane Valley,
WA (US); **Jered L. Singleton**,
Bainbridge Island, WA (US); **Peter J.
Heinrich**, Auburn, WA (US); **Cameron
Andrew Harder**, San Francisco, CA
(US); **John R. Murkowski**, Seattle,
WA (US)

(73) Assignee: **Ulthera, Inc.**, Mesa, AZ (US)

(**) Term: **15 Years**

(21) Appl. No.: **29/636,009**

(22) Filed: **Feb. 5, 2018**

(51) **LOC (12) Cl.** **24-02**

(52) **U.S. Cl.**
USPC **D24/187**

(58) **Field of Classification Search**
USPC D24/110, 137, 144, 147, 133, 186, 187,
D24/227, 231; D28/7; D10/60, 78, 80
(Continued)

(56) **References Cited**

U.S. PATENT DOCUMENTS

D506,260 S * 6/2005 Ryan D14/218
D566,284 S * 4/2008 Kitayama D10/60
(Continued)

Primary Examiner — Susan Bennett Hattan

Assistant Examiner — Omeed Agilee

(74) *Attorney, Agent, or Firm* — Knobbe Martens Olson
& Bear LLP

(57) **CLAIM**

The ornamental design for an ultrasound therapeutic treat-
ment transducer, as shown and described.

DESCRIPTION

FIG. 1 is a top left rear perspective view of a first embodi-
ment of an ultrasound therapeutic treatment transducer
embodying the new design.

FIG. 2 is a bottom right front perspective view thereof.

FIG. 3 is a top view thereof.

FIG. 4 is a bottom view.

FIG. 5 is a rear view.

FIG. 6 is a front view.

FIG. 7 is a left view.

FIG. 8 is a right view.

FIG. 9 is a top left rear perspective view of a second
embodiment of an ultrasound therapeutic treatment trans-
ducer embodying the new design.

FIG. 10 is a bottom right front perspective view thereof.

FIG. 11 is a top view thereof.

FIG. 12 is a bottom view.

FIG. 13 is a rear view.

FIG. 14 is a front view.

FIG. 15 is a left view.

FIG. 16 is a right view.

FIG. 17 is a top left rear perspective view of a third
embodiment of an ultrasound therapeutic treatment trans-
ducer embodying the new design.

FIG. 18 is a bottom right front perspective view thereof.

FIG. 19 is a top view thereof.

FIG. 20 is a bottom view.

FIG. 21 is a rear view.

FIG. 22 is a front view.

FIG. 23 is a left view.

FIG. 24 is a right view.

FIG. 25 is a top left rear perspective view of a fourth
embodiment of an ultrasound therapeutic treatment trans-
ducer embodying the new design.

FIG. 26 is a bottom right front perspective view thereof.

FIG. 27 is a top view thereof.

(Continued)

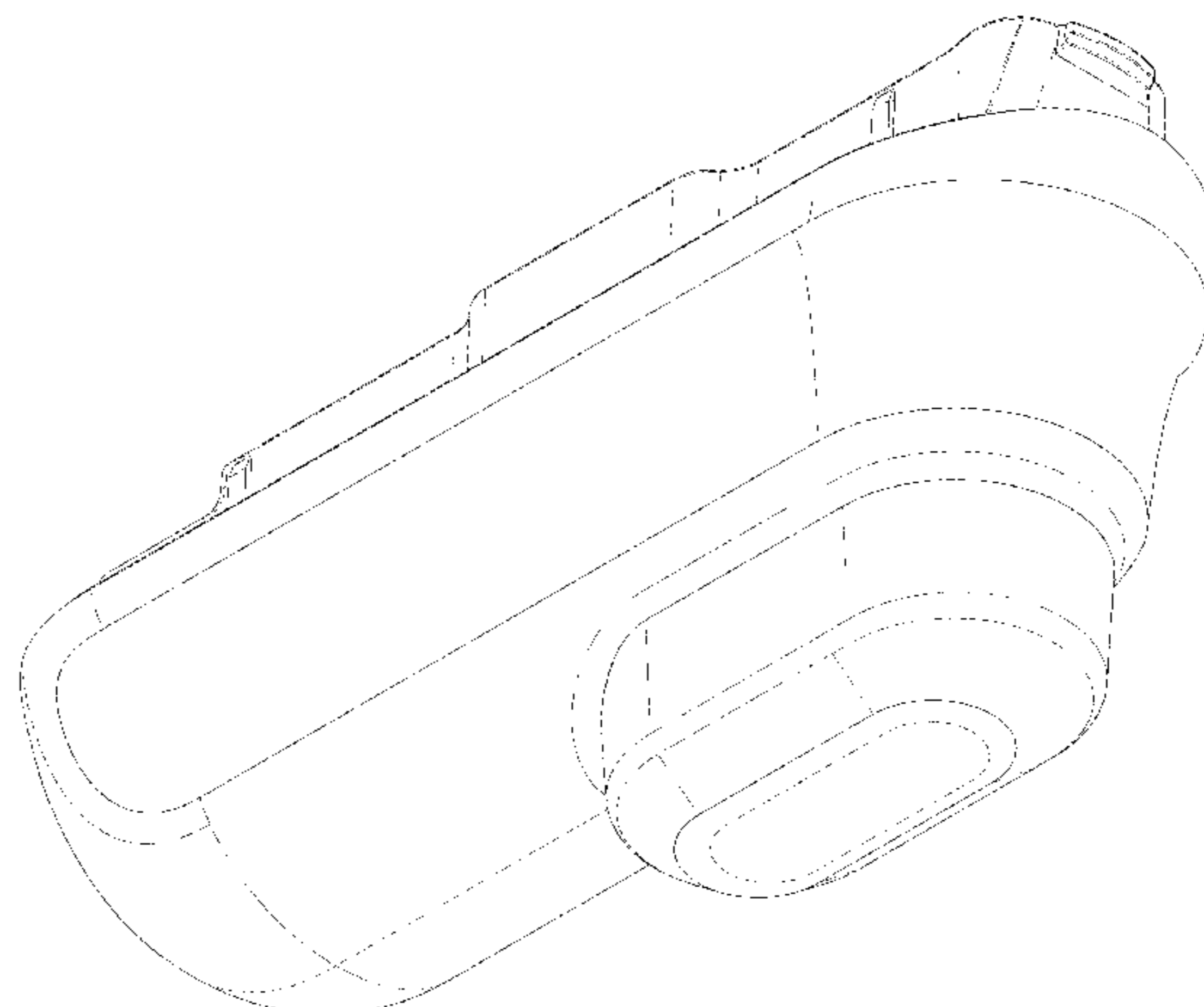
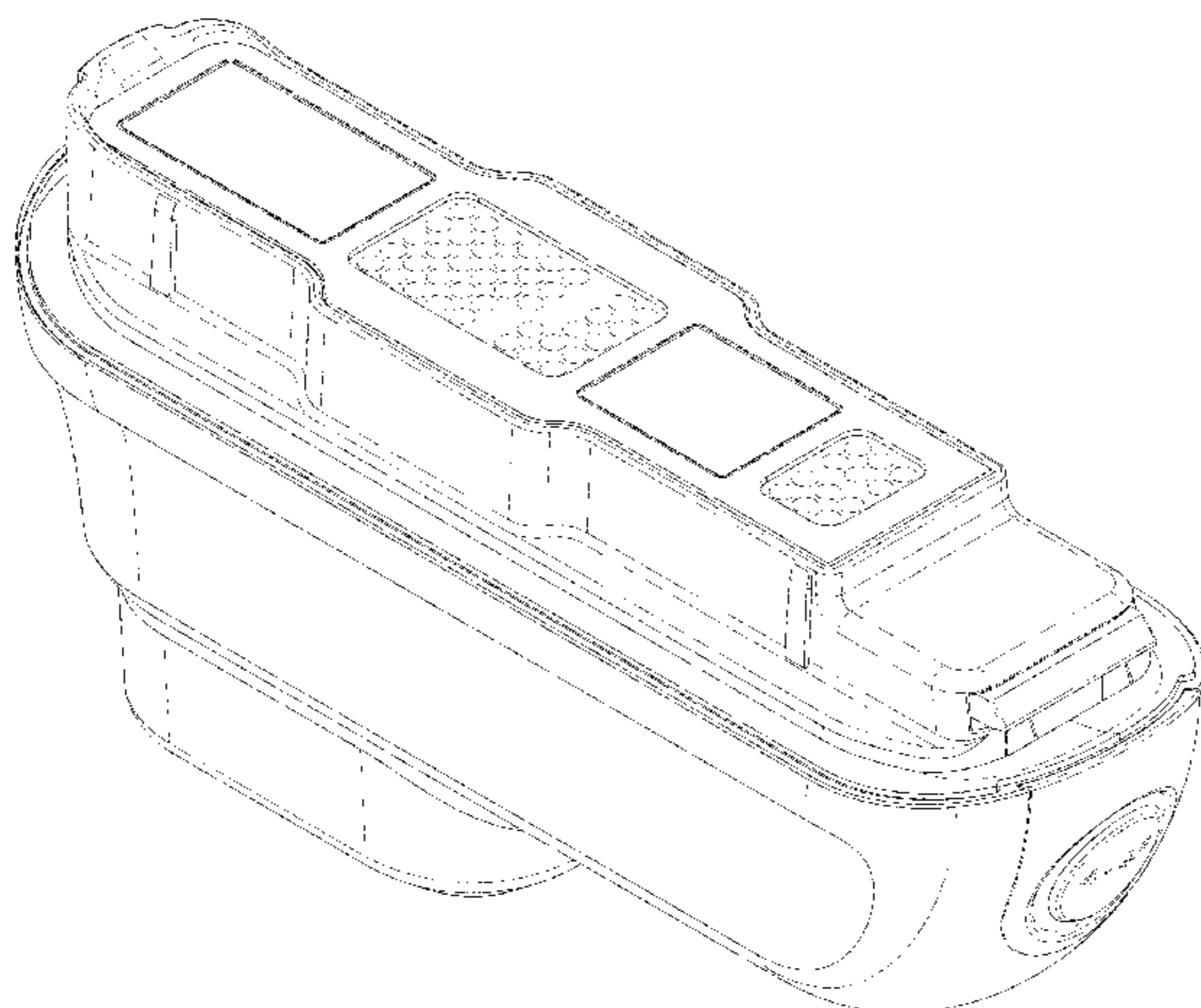


FIG. 28 is a bottom view.

FIG. 29 is a rear view.

FIG. 30 is a front view.

FIG. 31 is a left view; and,

FIG. 32 is a right view.

Broken lines are used to illustrate features of the ultrasound therapeutic treatment transducer which form no part of the claimed design.

1 Claim, 32 Drawing Sheets

(58) **Field of Classification Search**

CPC ... A61B 8/4236; A61B 8/4281; A61B 6/4441;
A61B 6/114447; A61N 7/02

See application file for complete search history.

(56) **References Cited**

U.S. PATENT DOCUMENTS

D603,520 S *	11/2009	Ninomiya	D24/187
D609,814 S *	2/2010	Banryu	D24/187
D630,757 S *	1/2011	Kitayama	D24/187
D684,265 S *	6/2013	Cadera	D24/187
D700,969 S *	3/2014	Kim	D24/187
D729,166 S *	5/2015	Baba	D13/133
D778,440 S *	2/2017	Ben-Moshe	D24/137
D809,142 S *	1/2018	Lim	D24/160
D811,605 S *	2/2018	Chang	D24/187
D820,263 S *	6/2018	Rebello	D14/426
D829,329 S *	9/2018	Quam	D24/186
D835,285 S *	12/2018	Barker	D24/186
D836,244 S *	12/2018	Floyd	D28/7

* cited by examiner

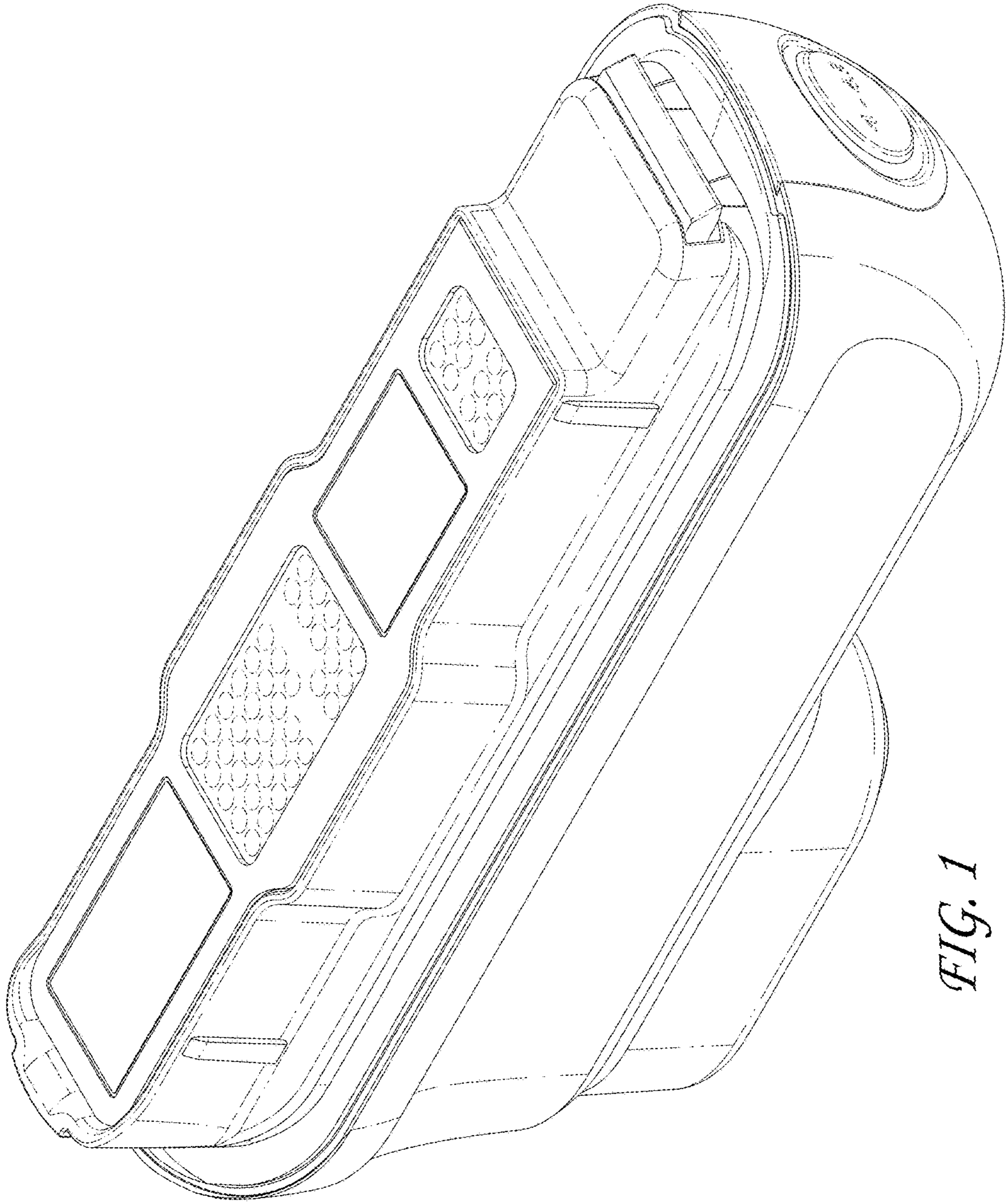


FIG. 1

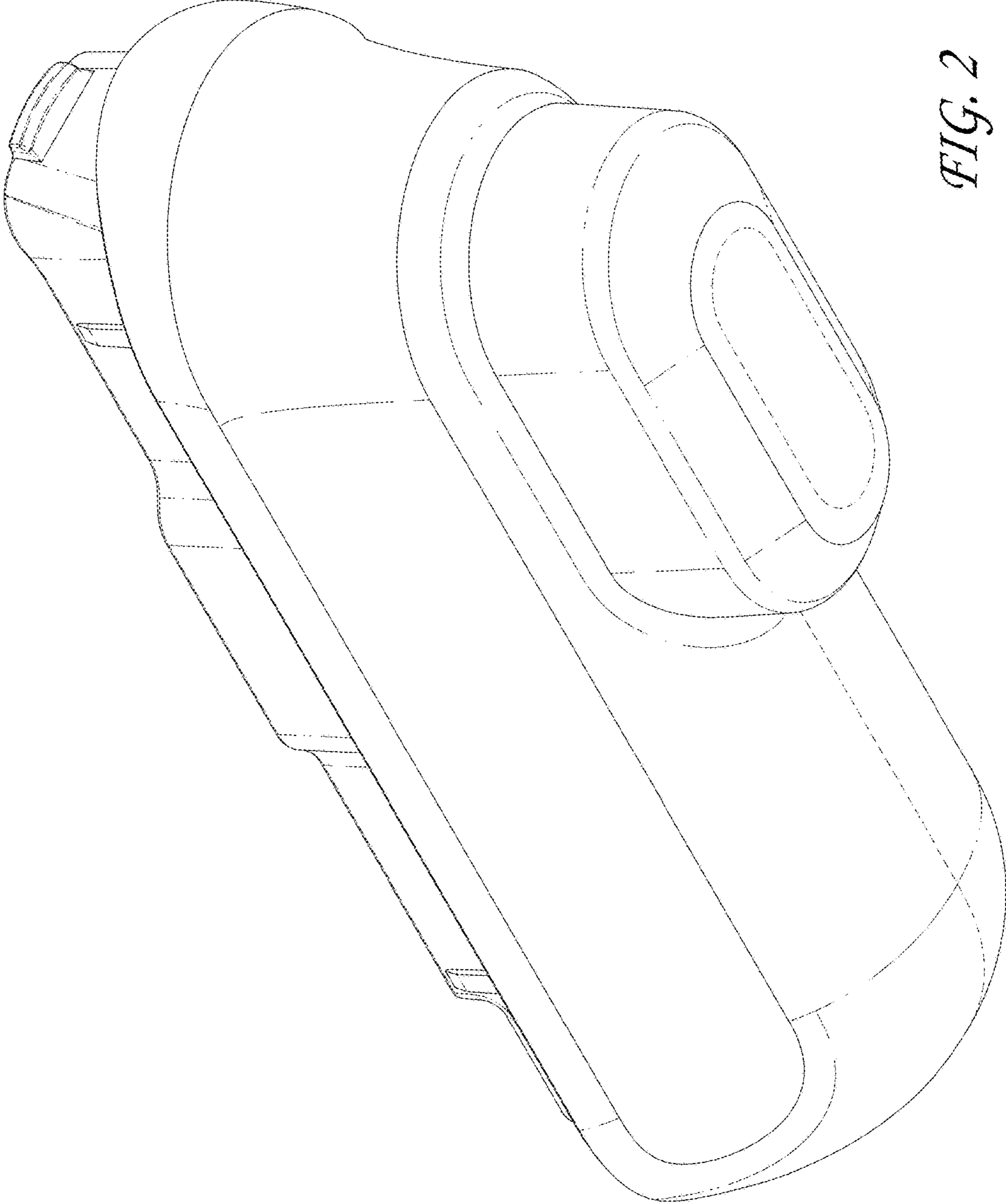


FIG. 2

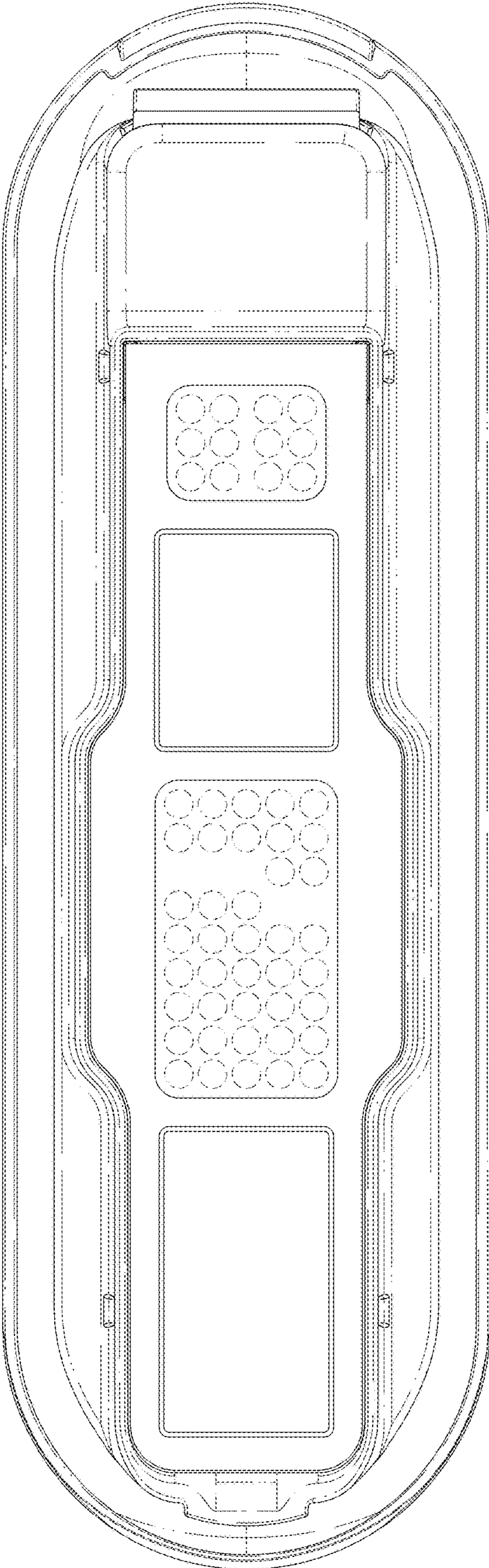


FIG. 3

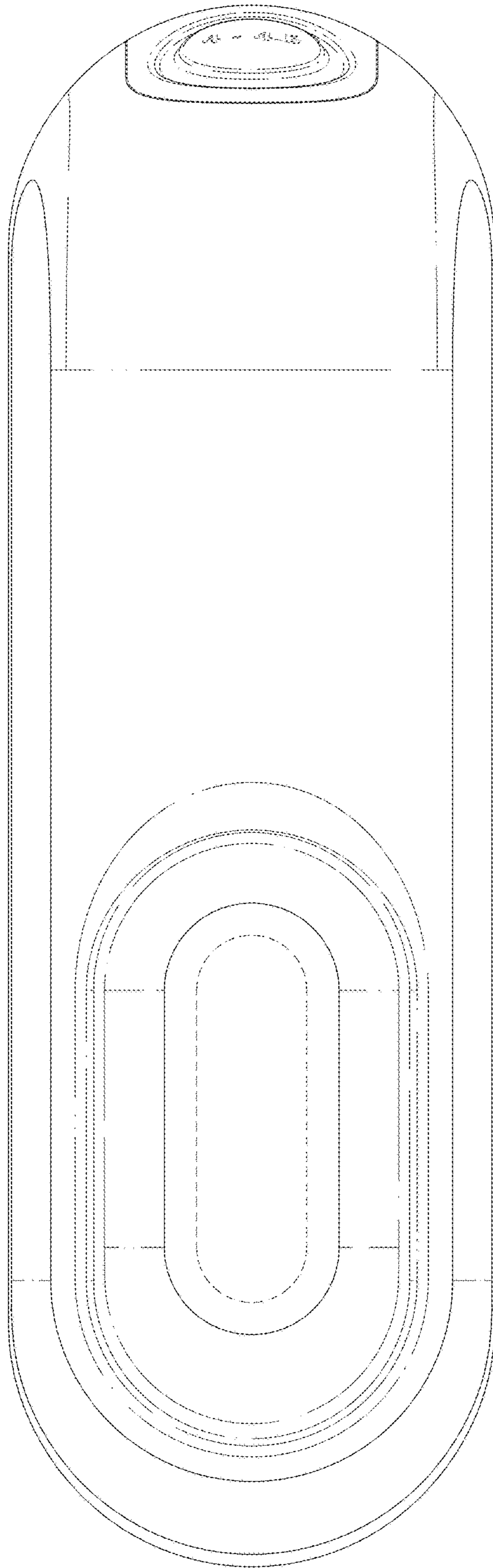


FIG. 4

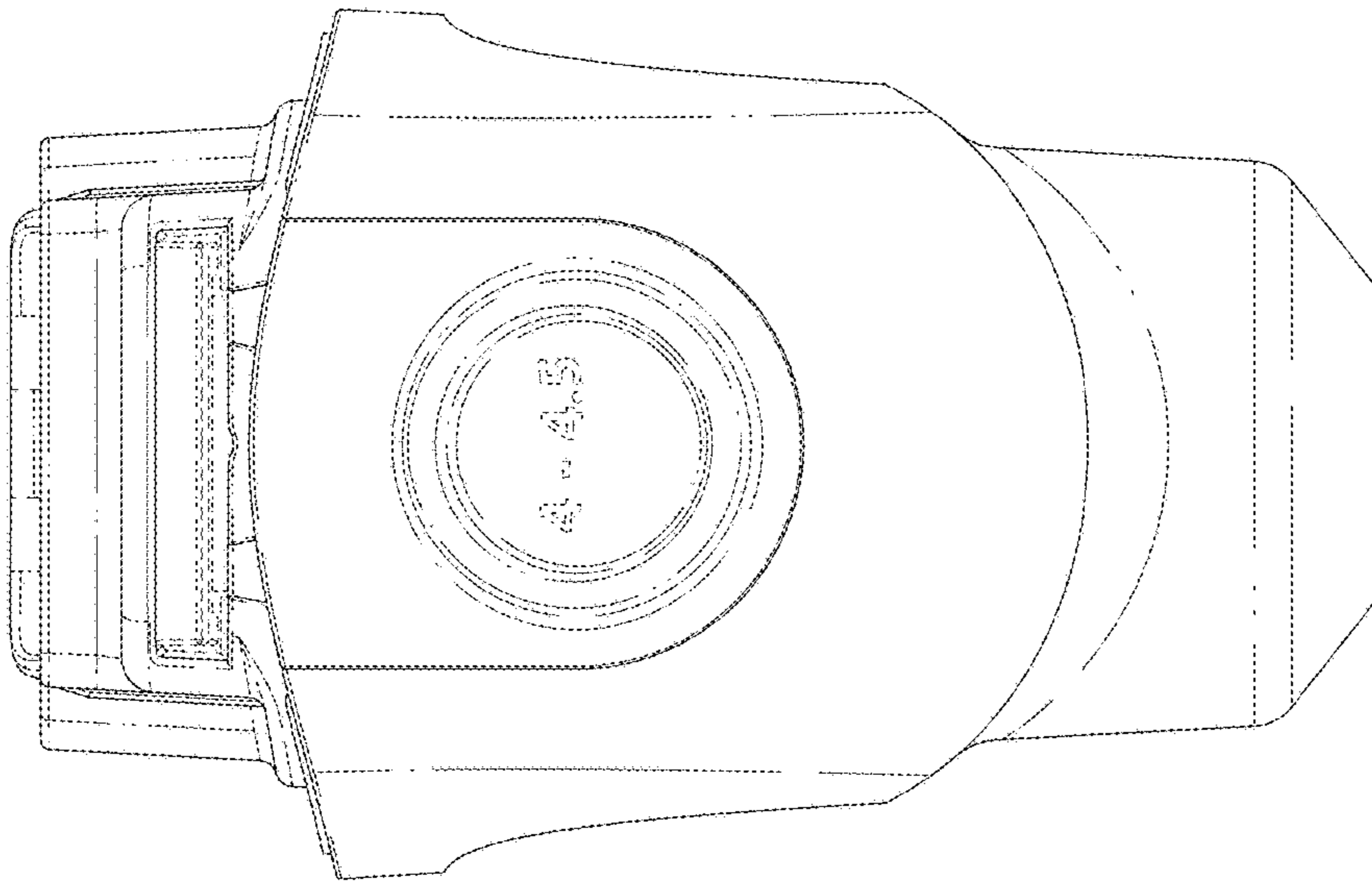


FIG. 5

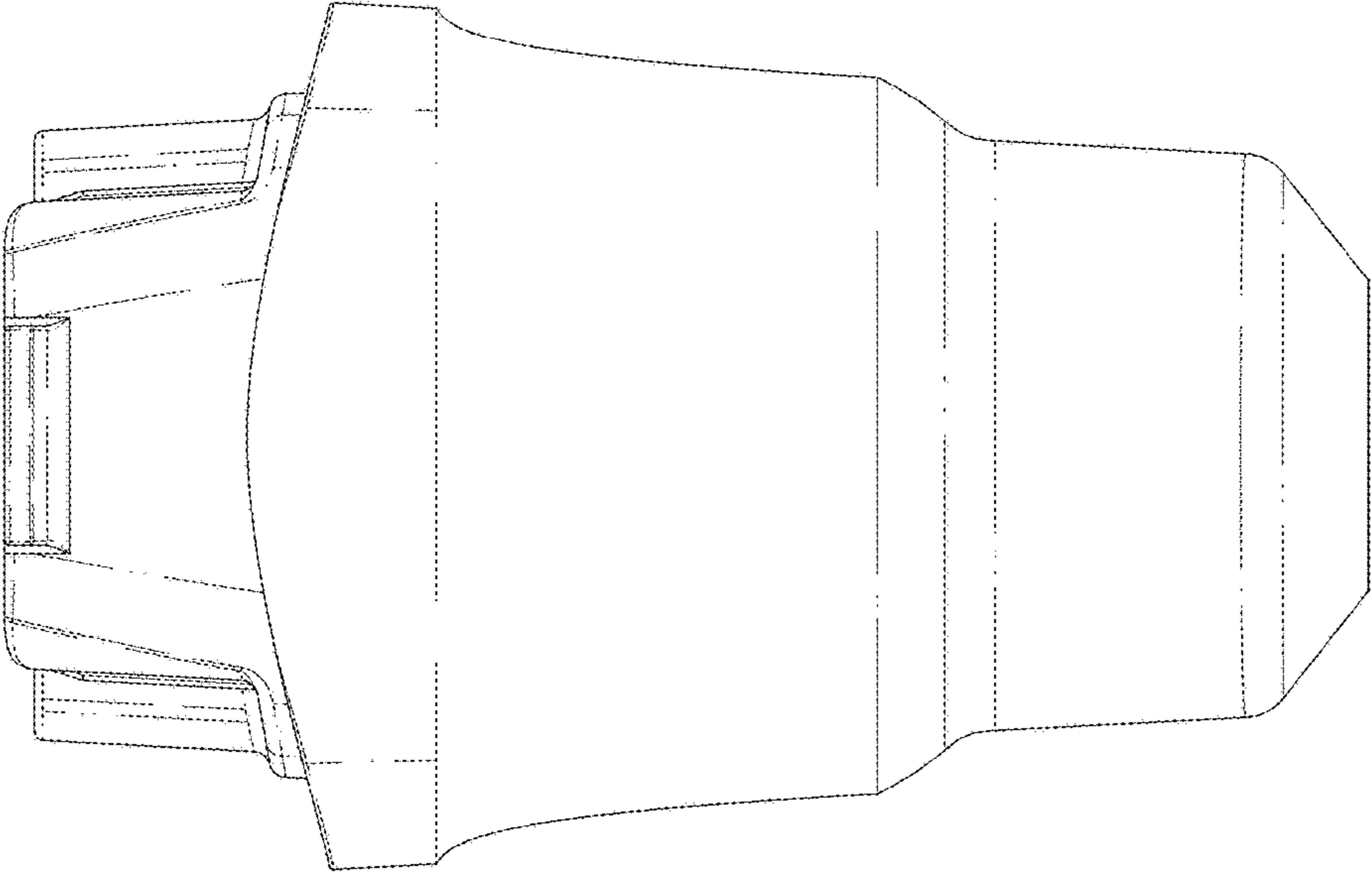


FIG. 6

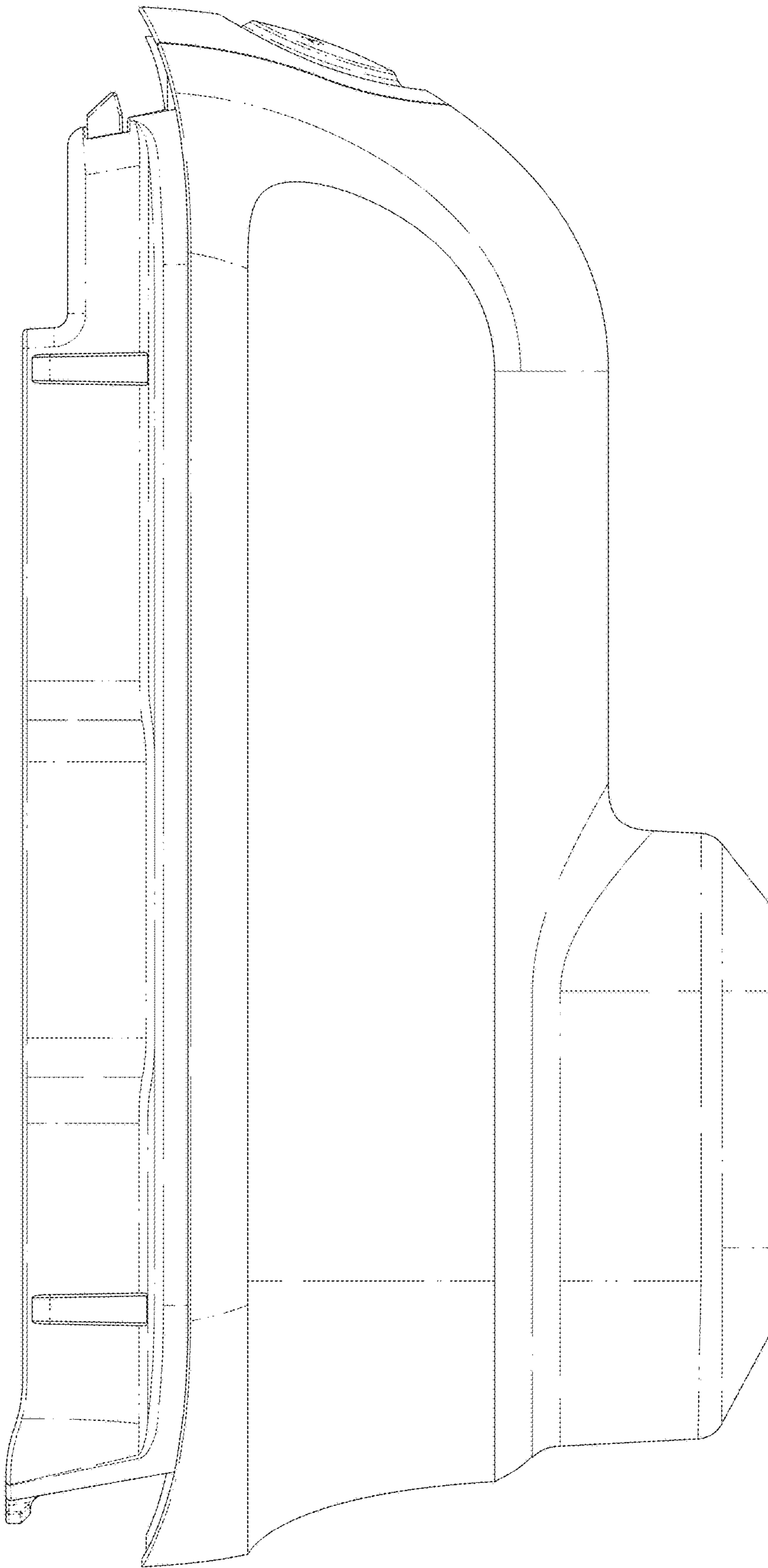


FIG. 7

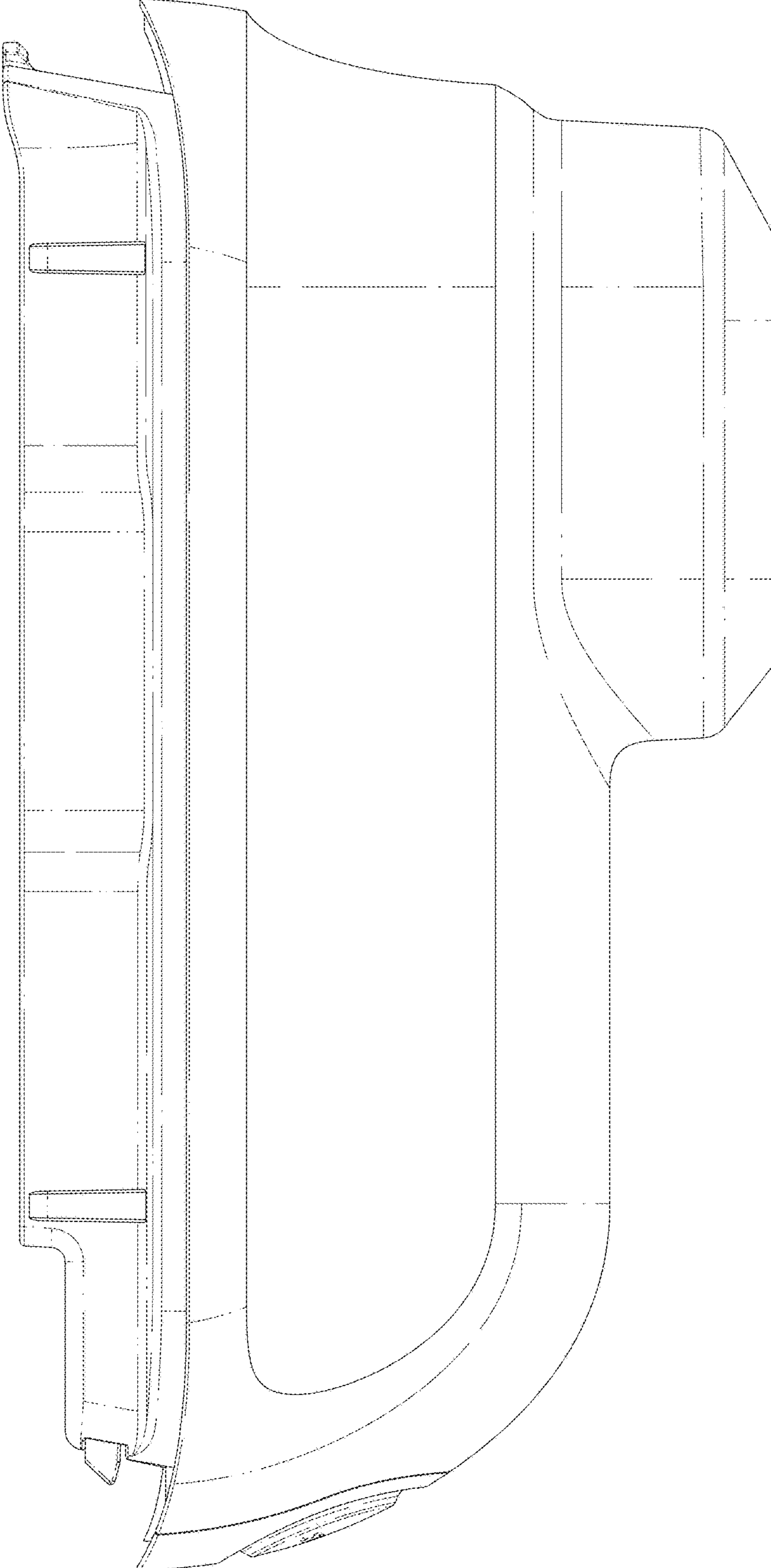


FIG. 8

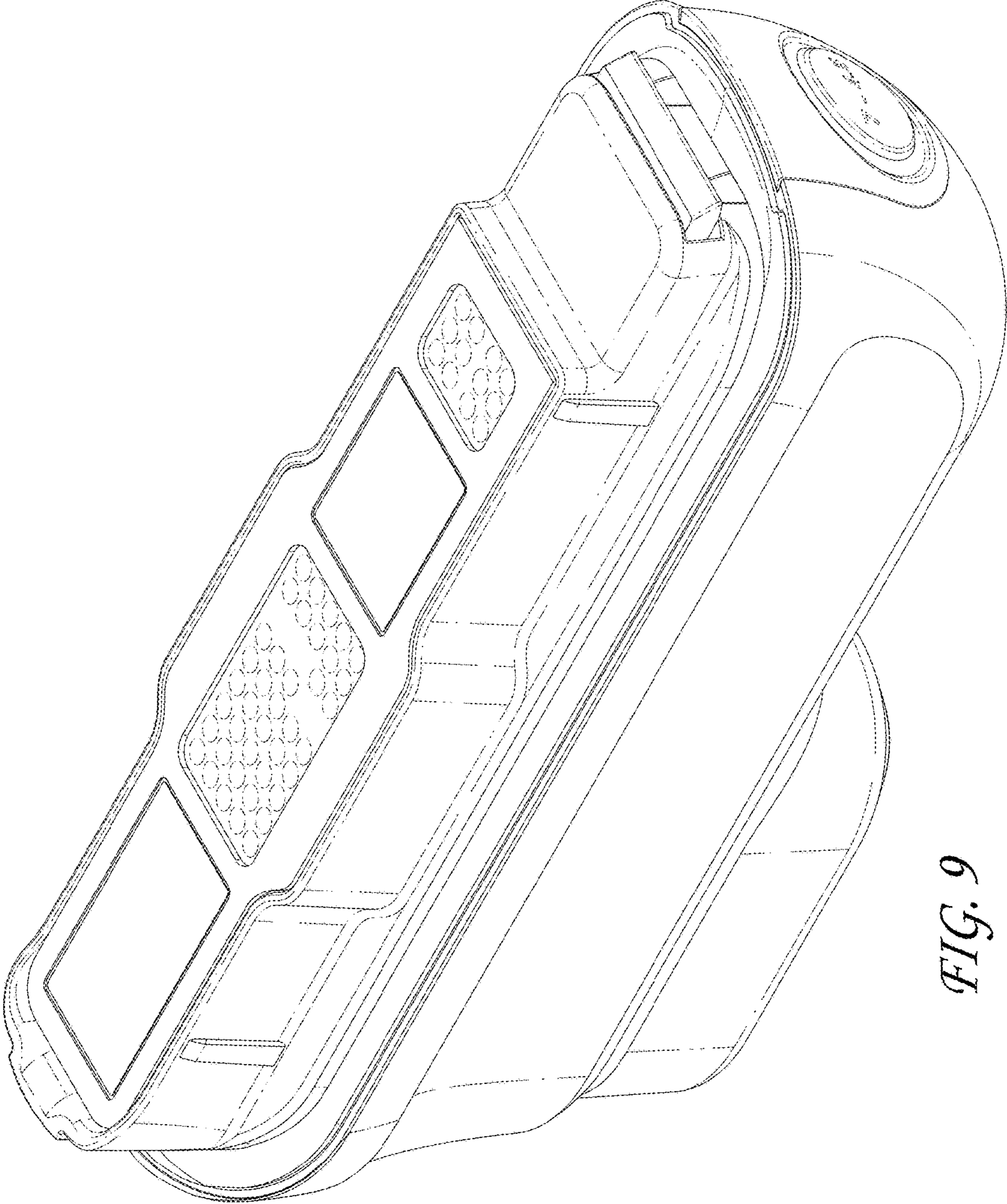


FIG. 9

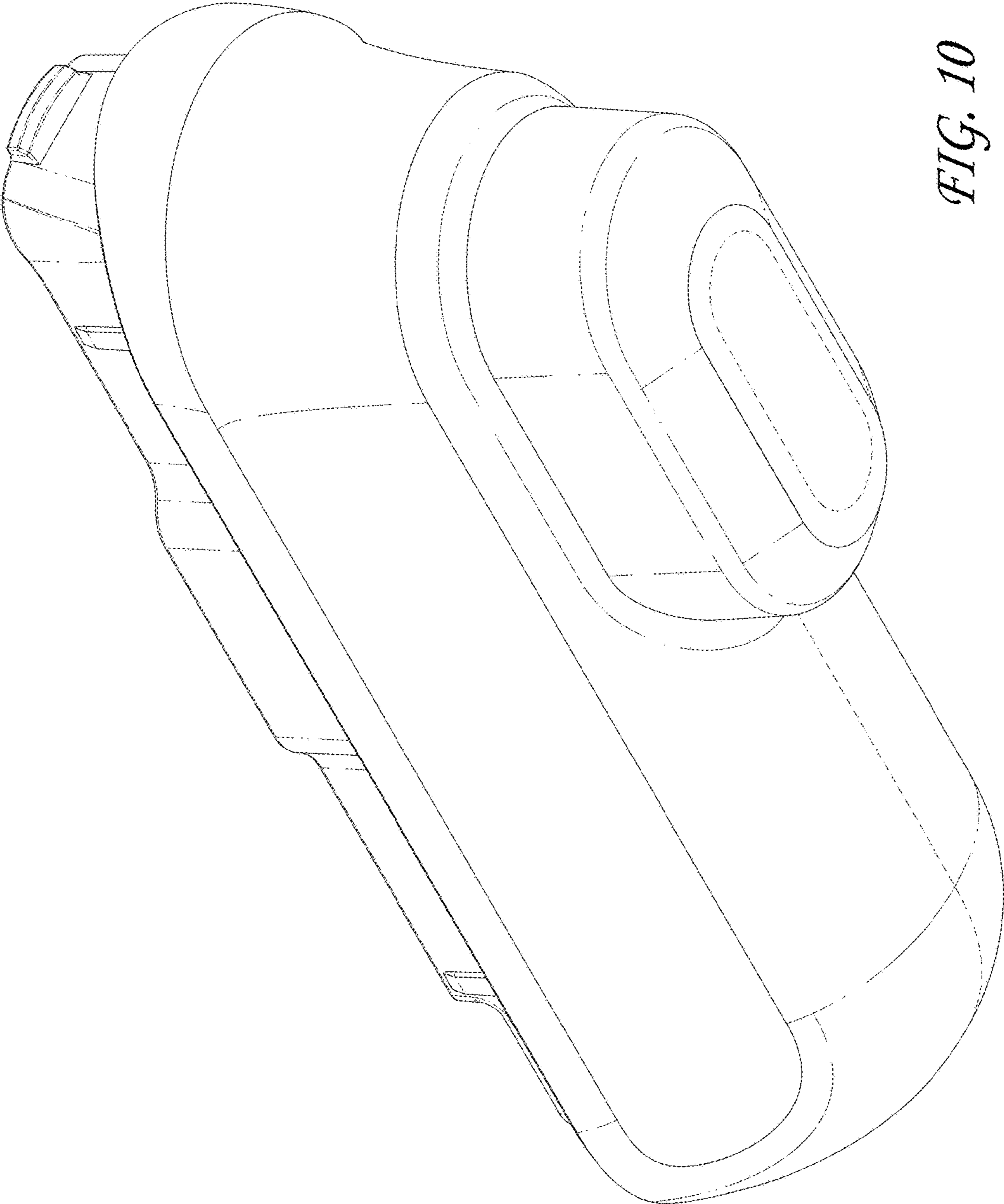


FIG. 10

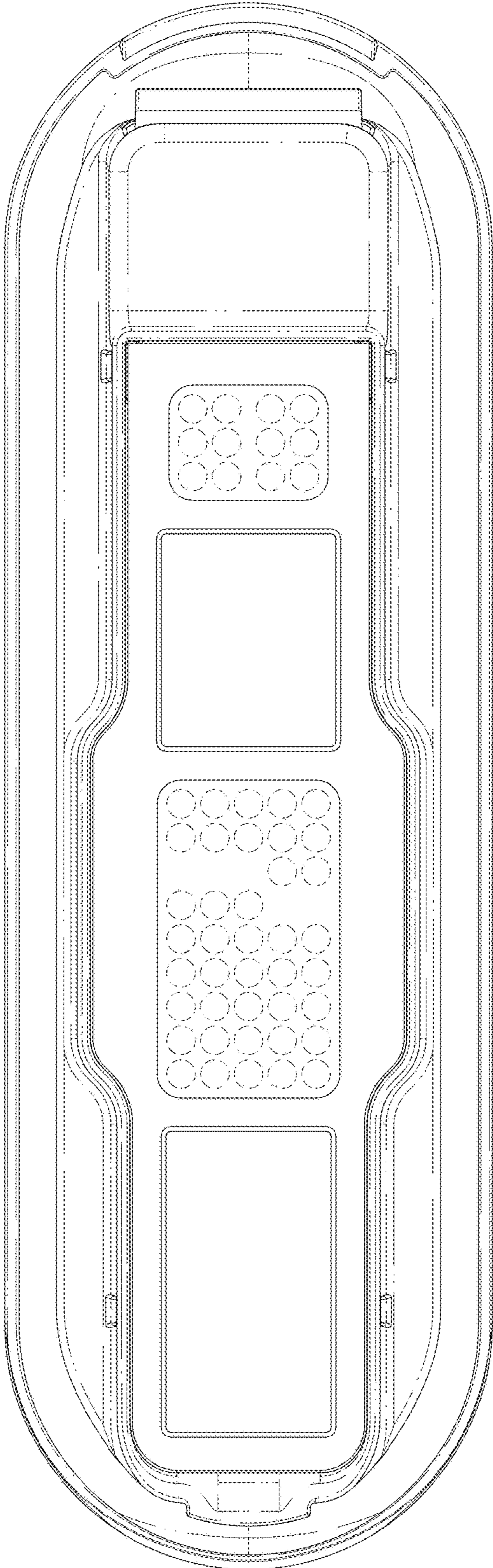


FIG. 11

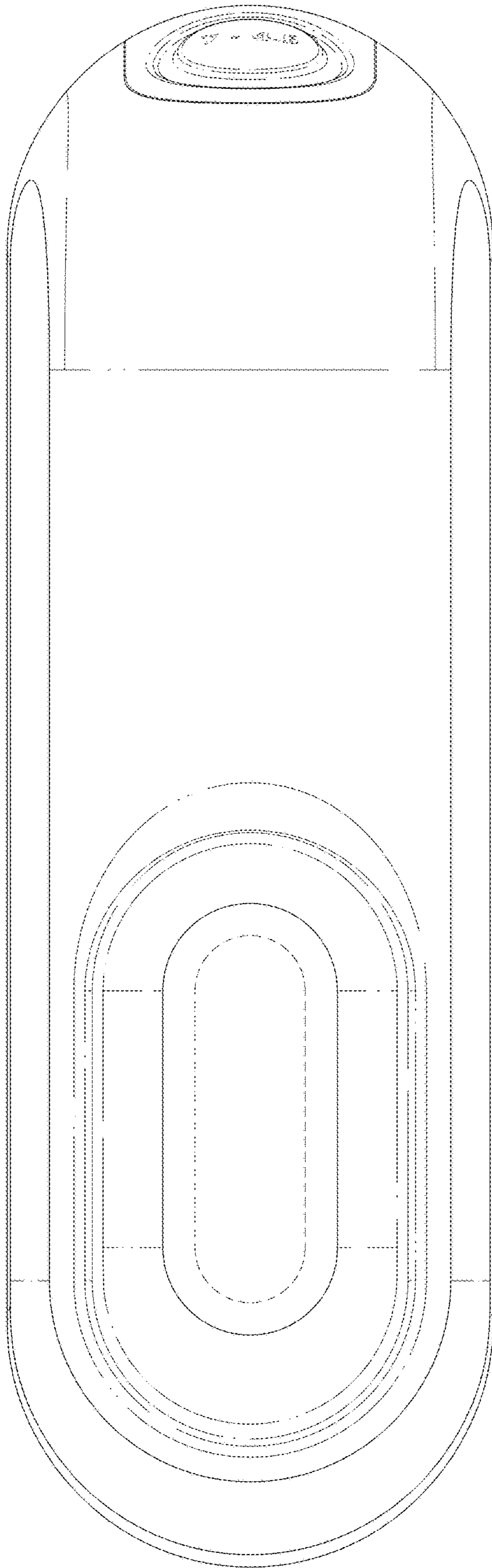


FIG. 12

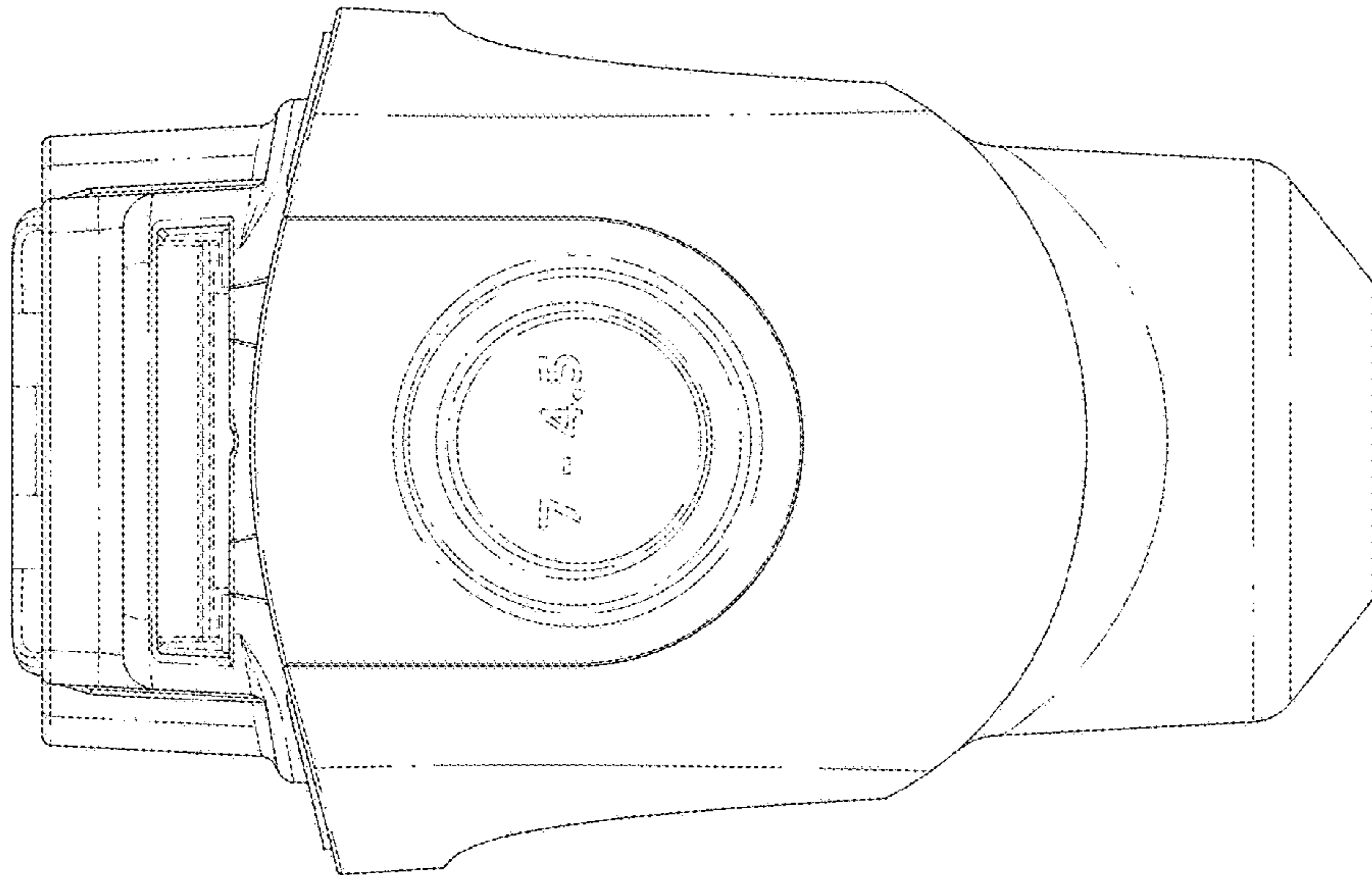


FIG. 13

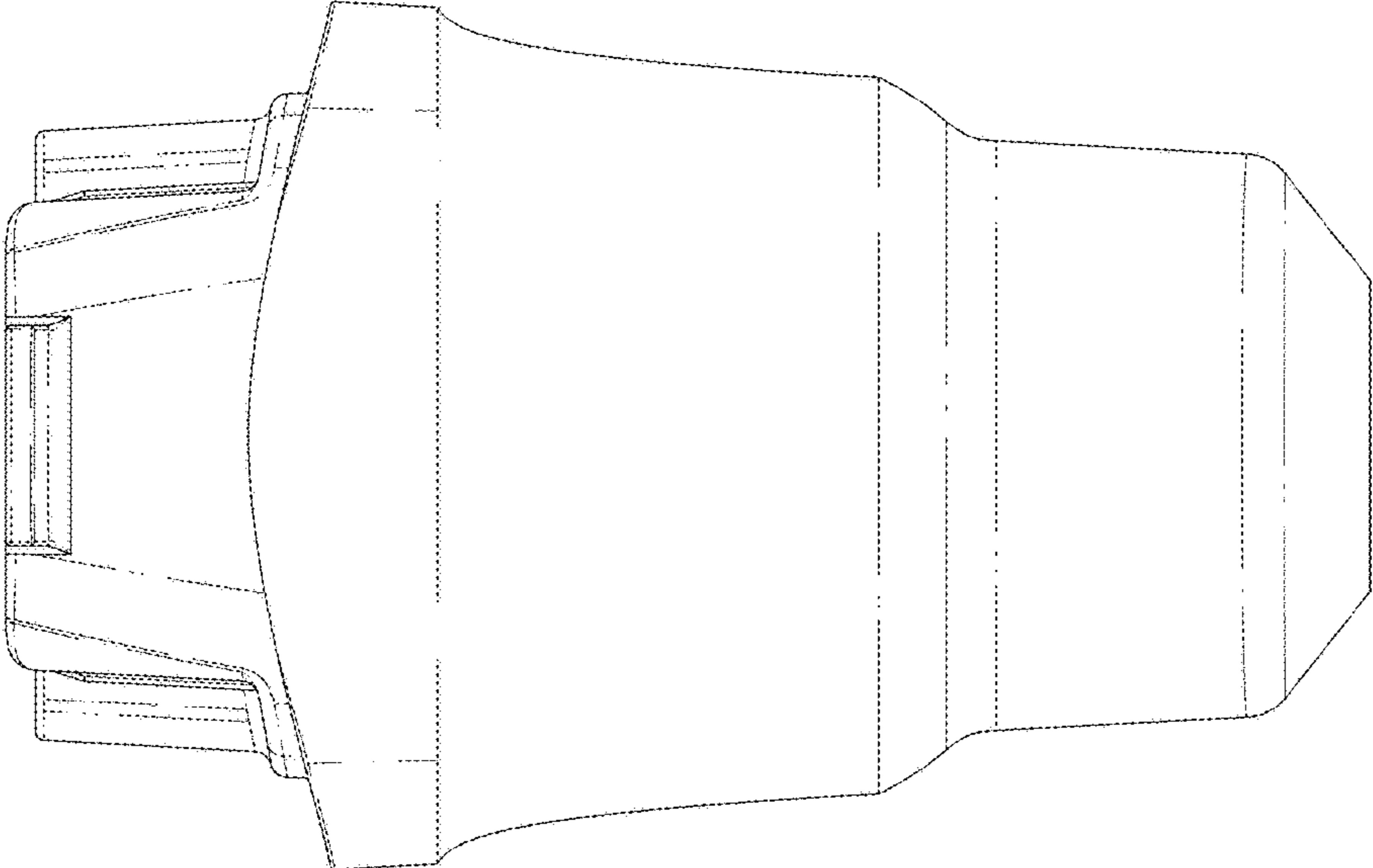


FIG. 14

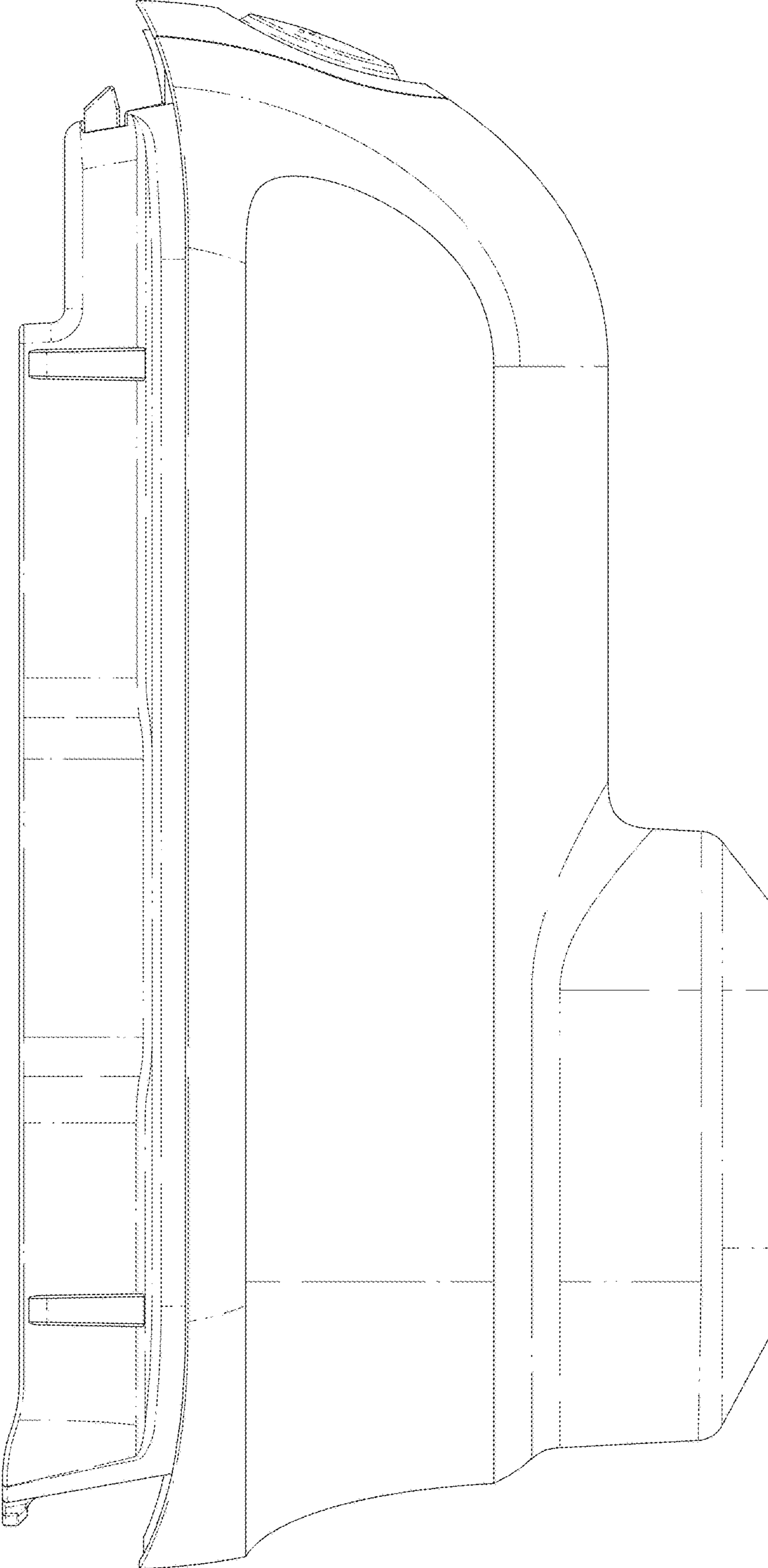


FIG. 15

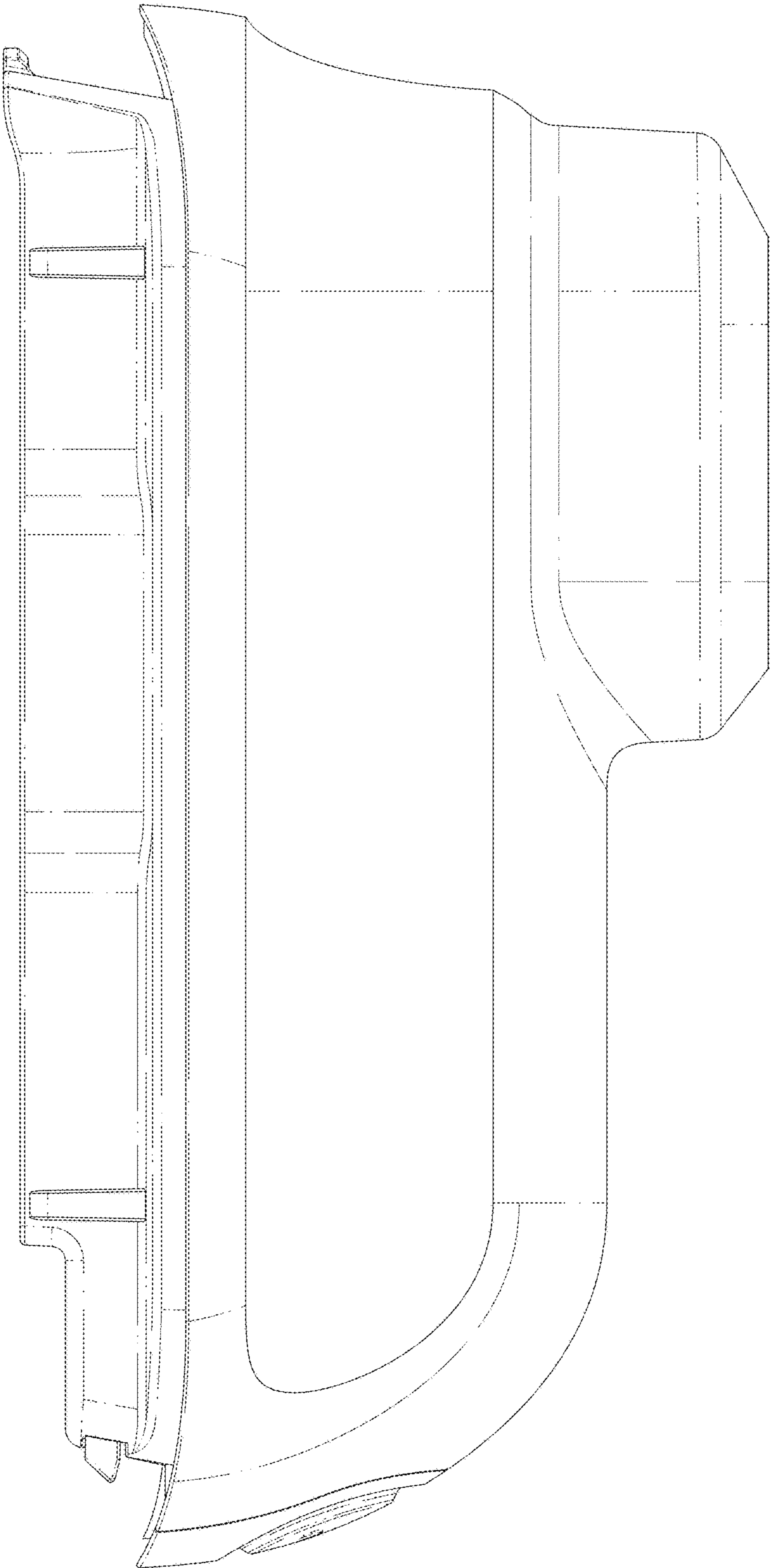


FIG. 16

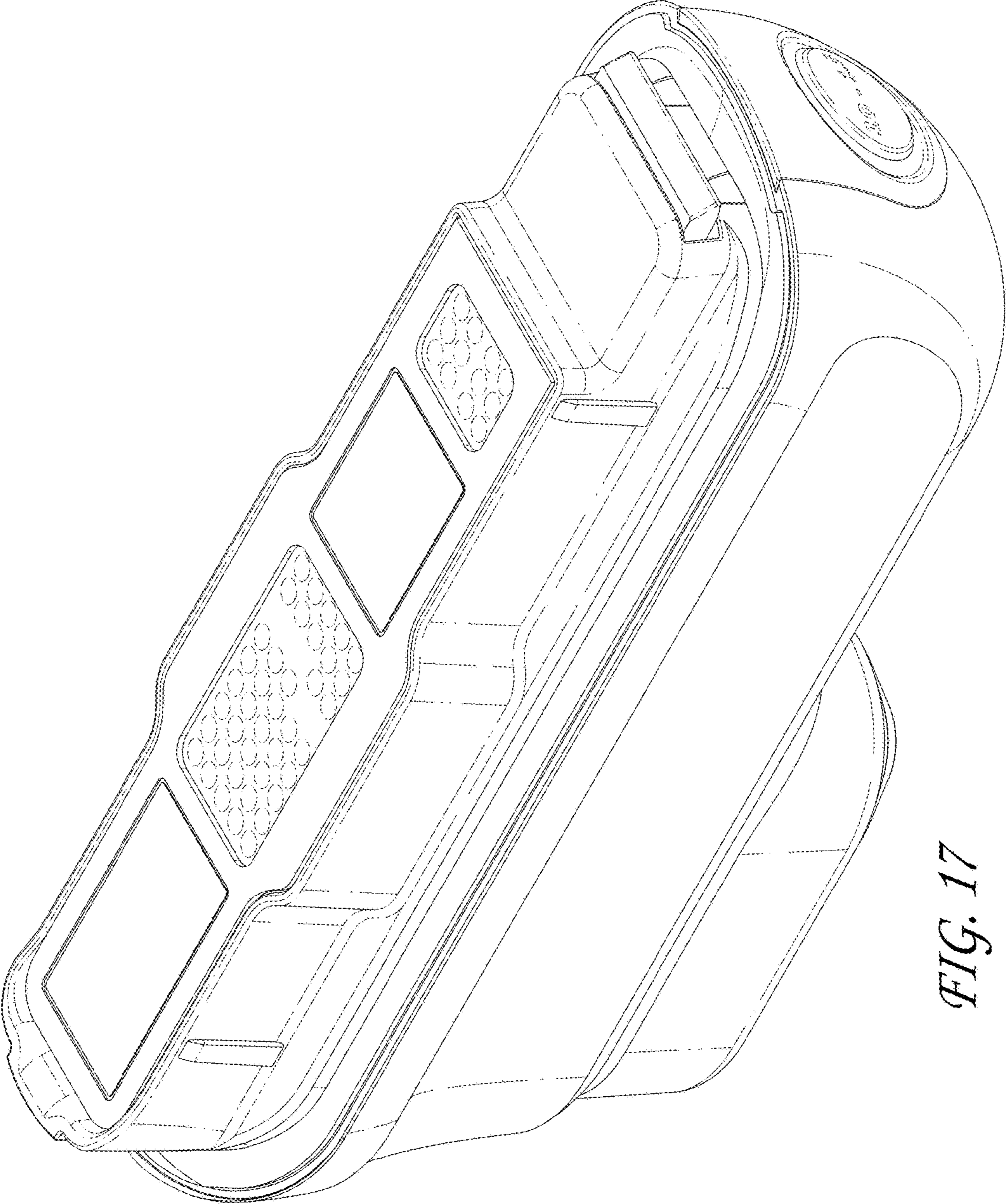


FIG. 17

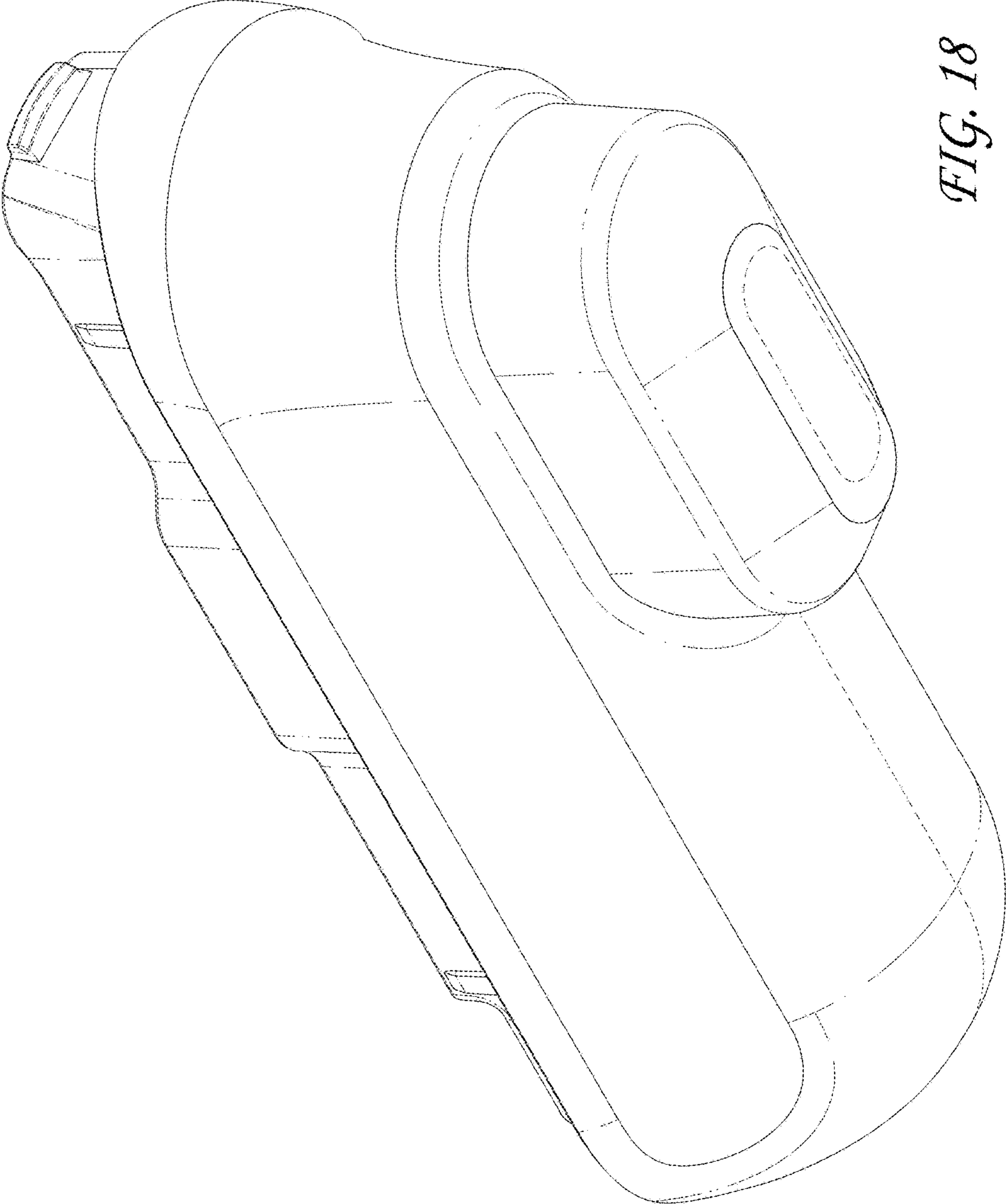


FIG. 18

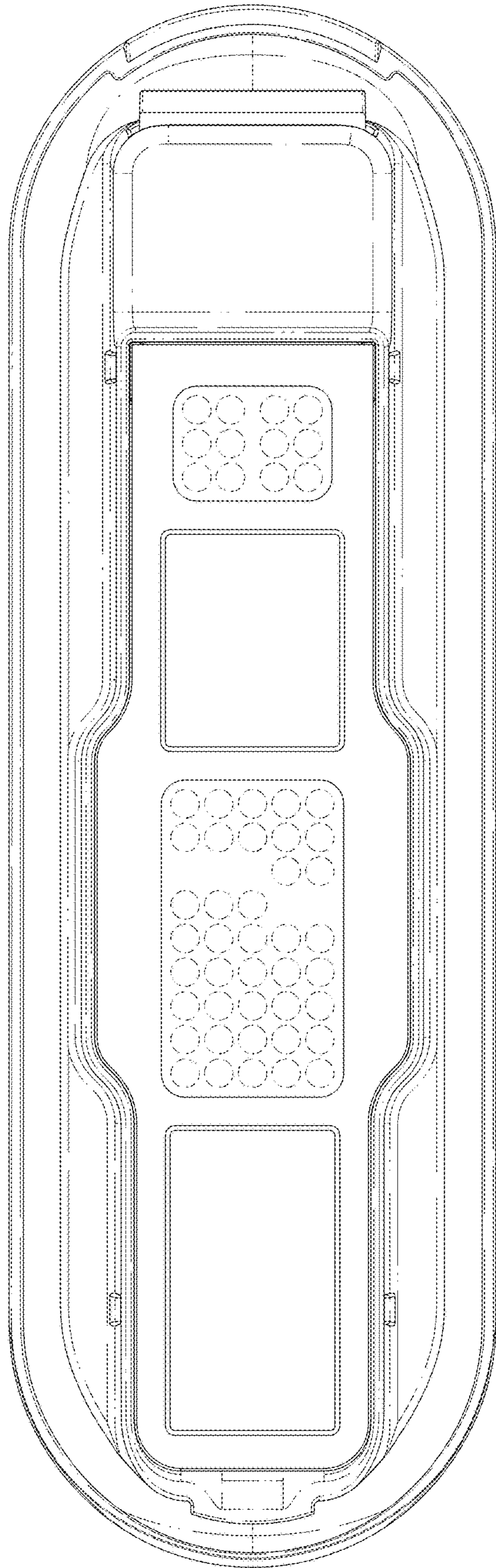


FIG. 19

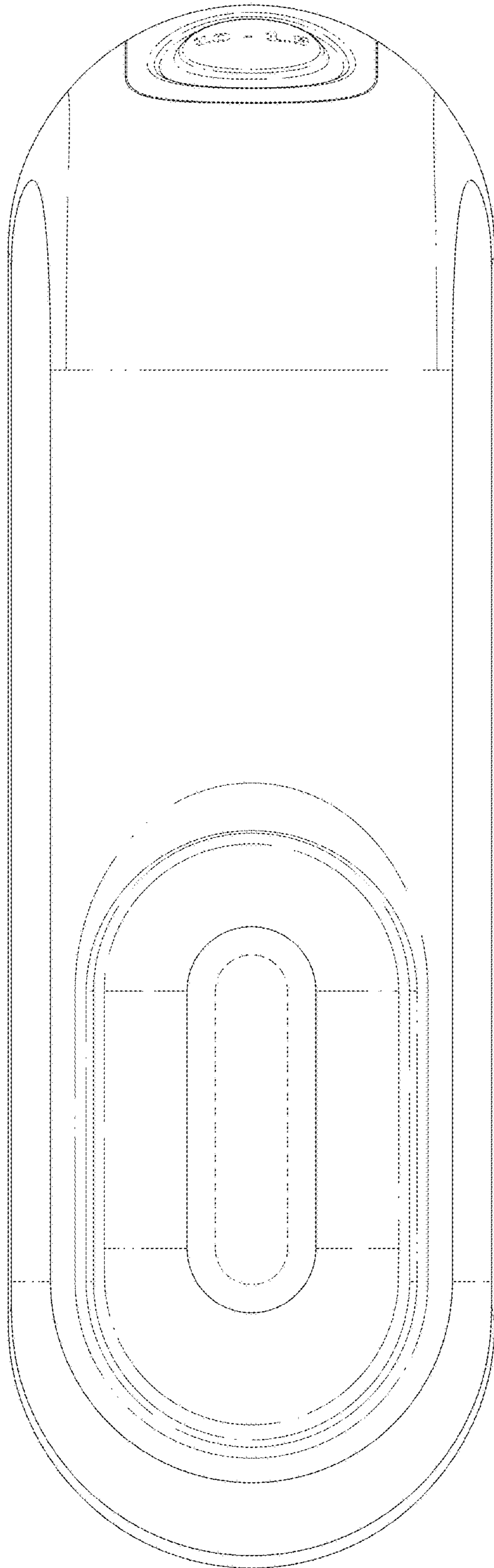


FIG. 20

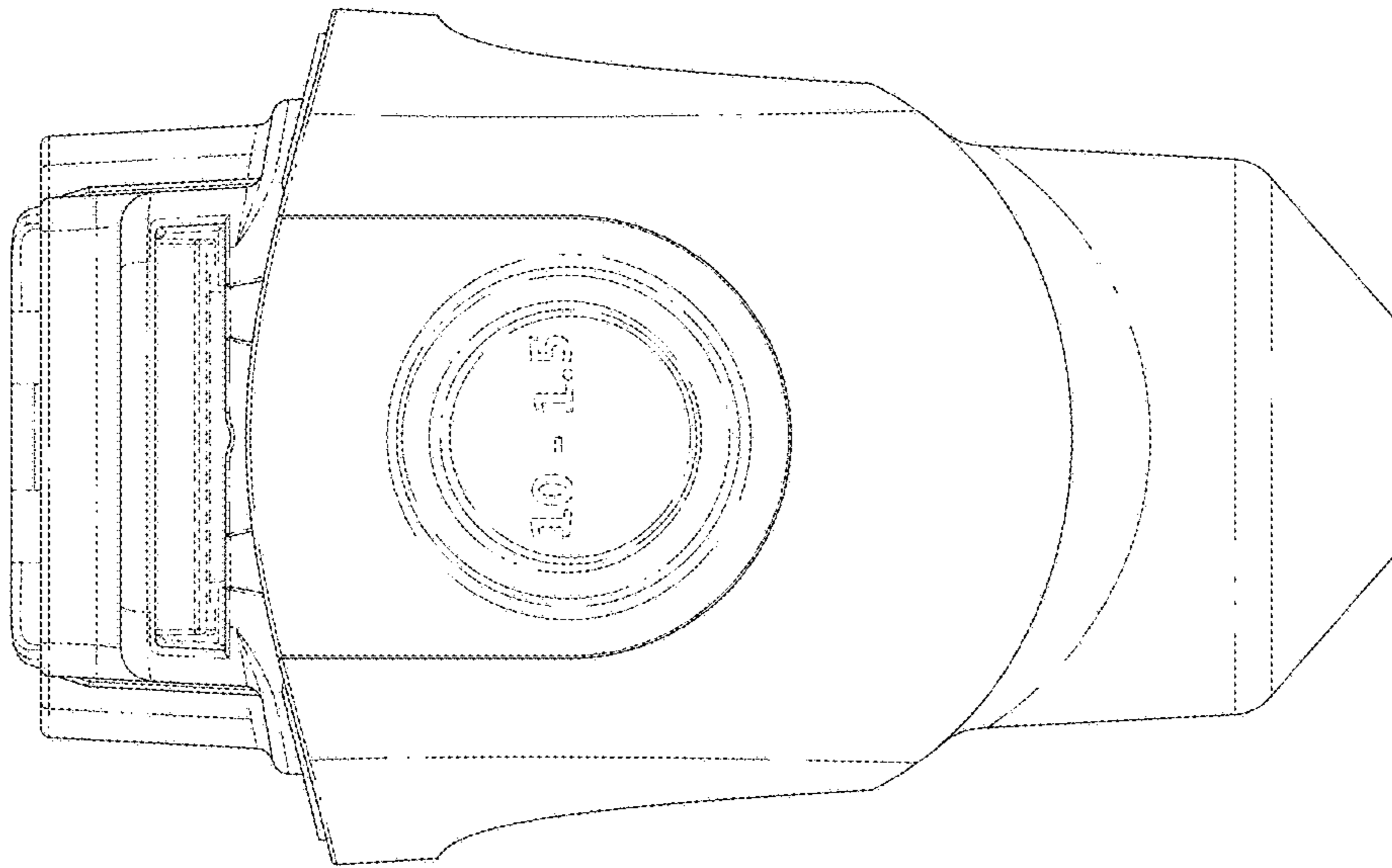


FIG. 21

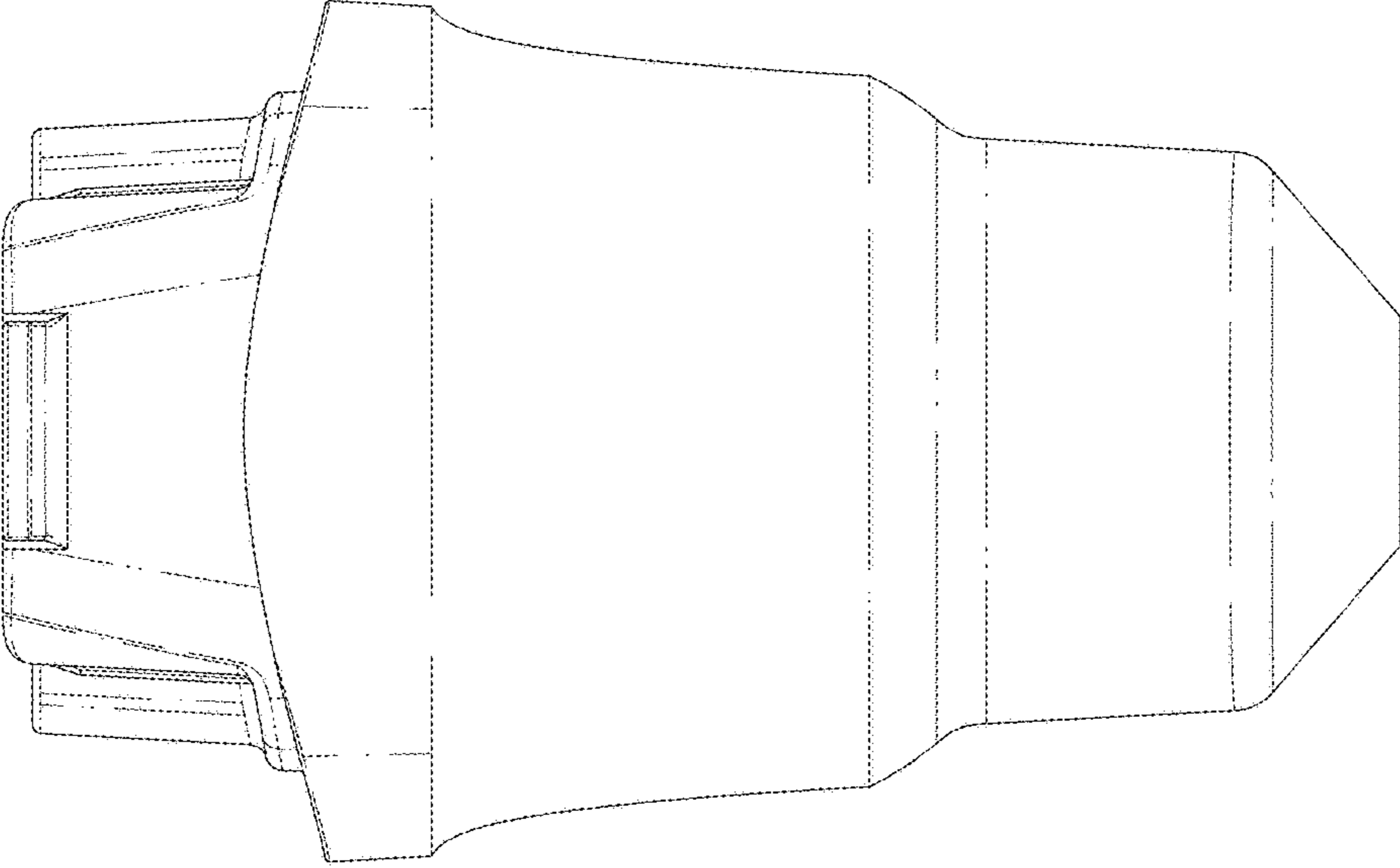


FIG. 22

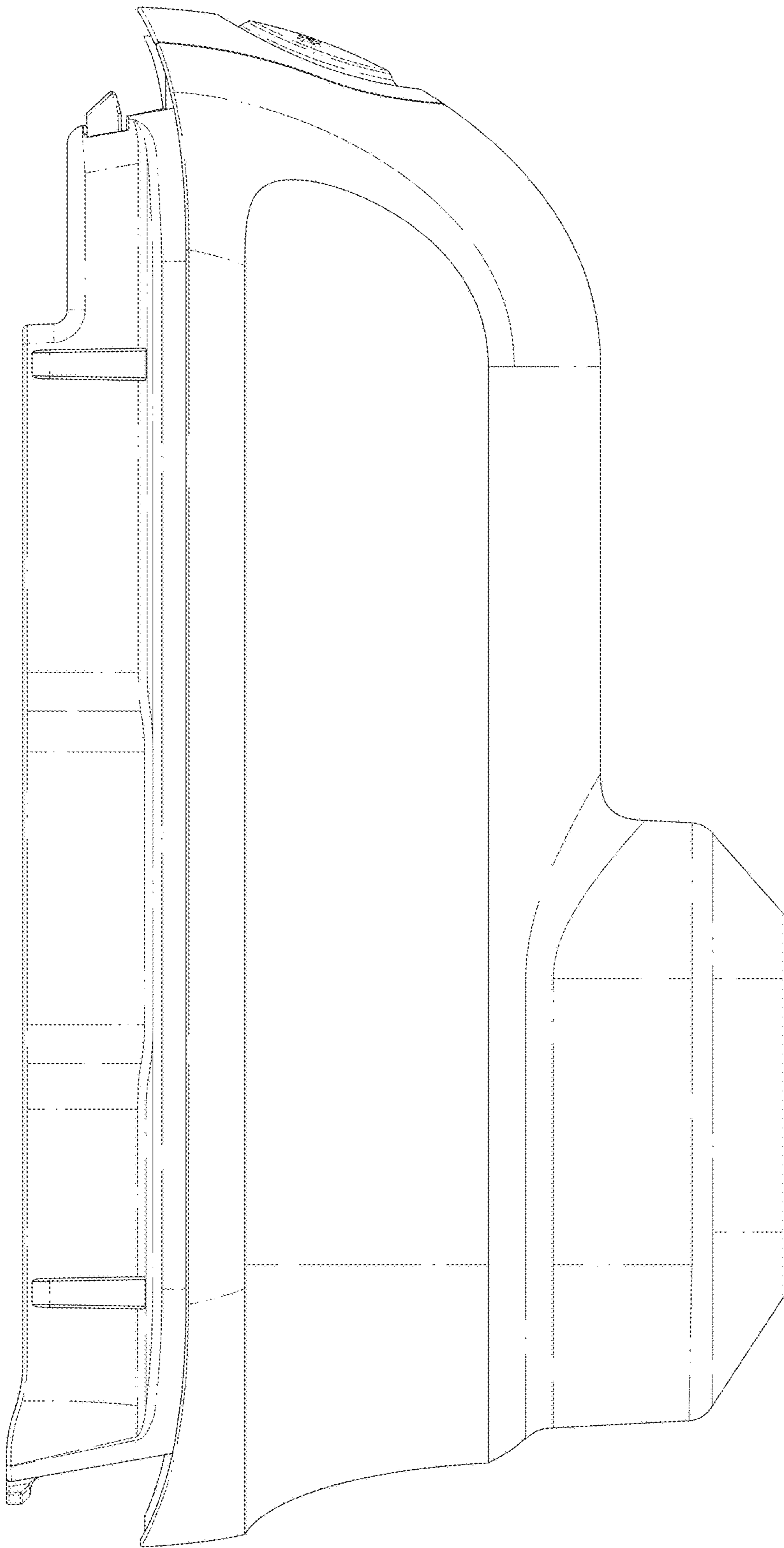


FIG. 23

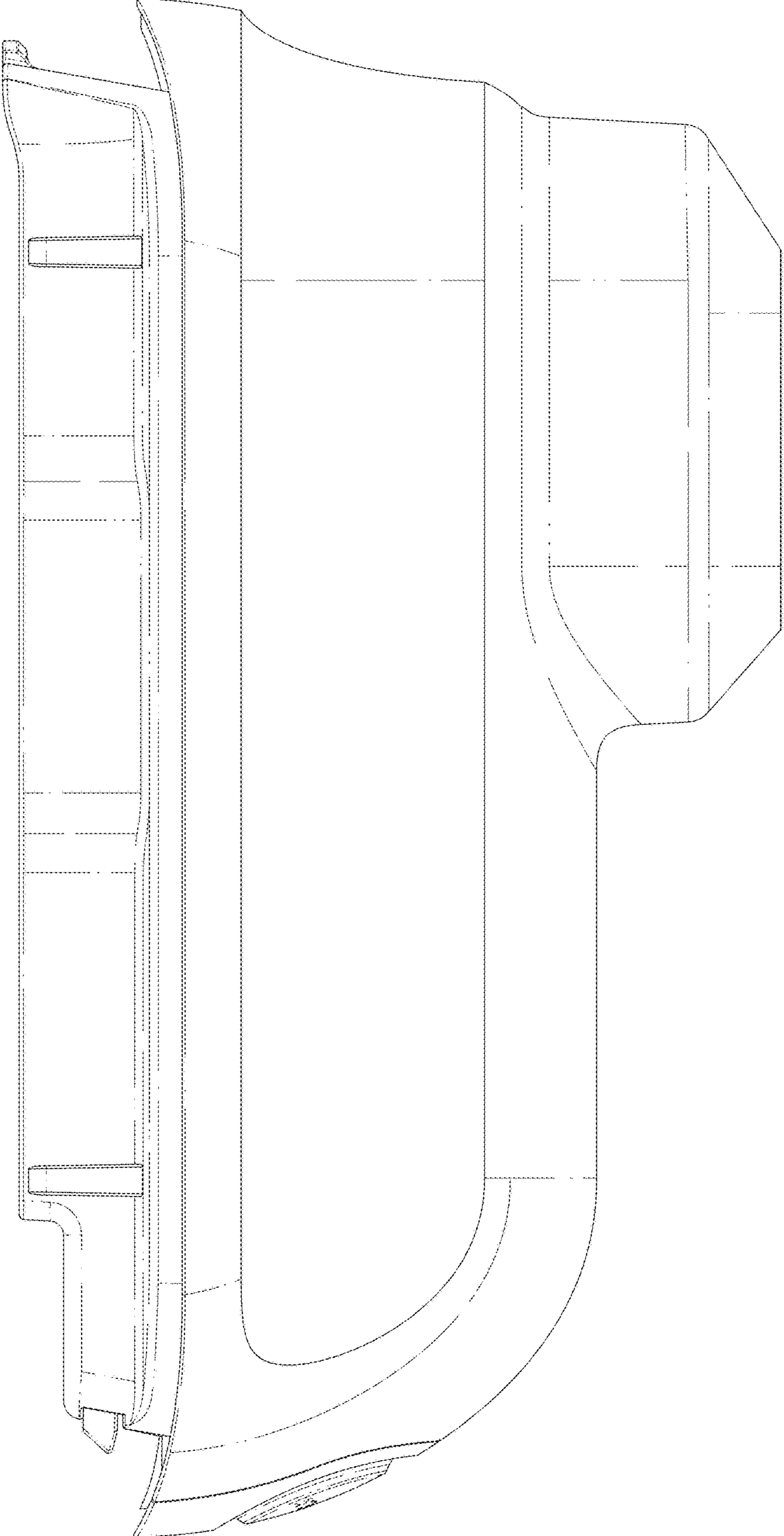


FIG. 24

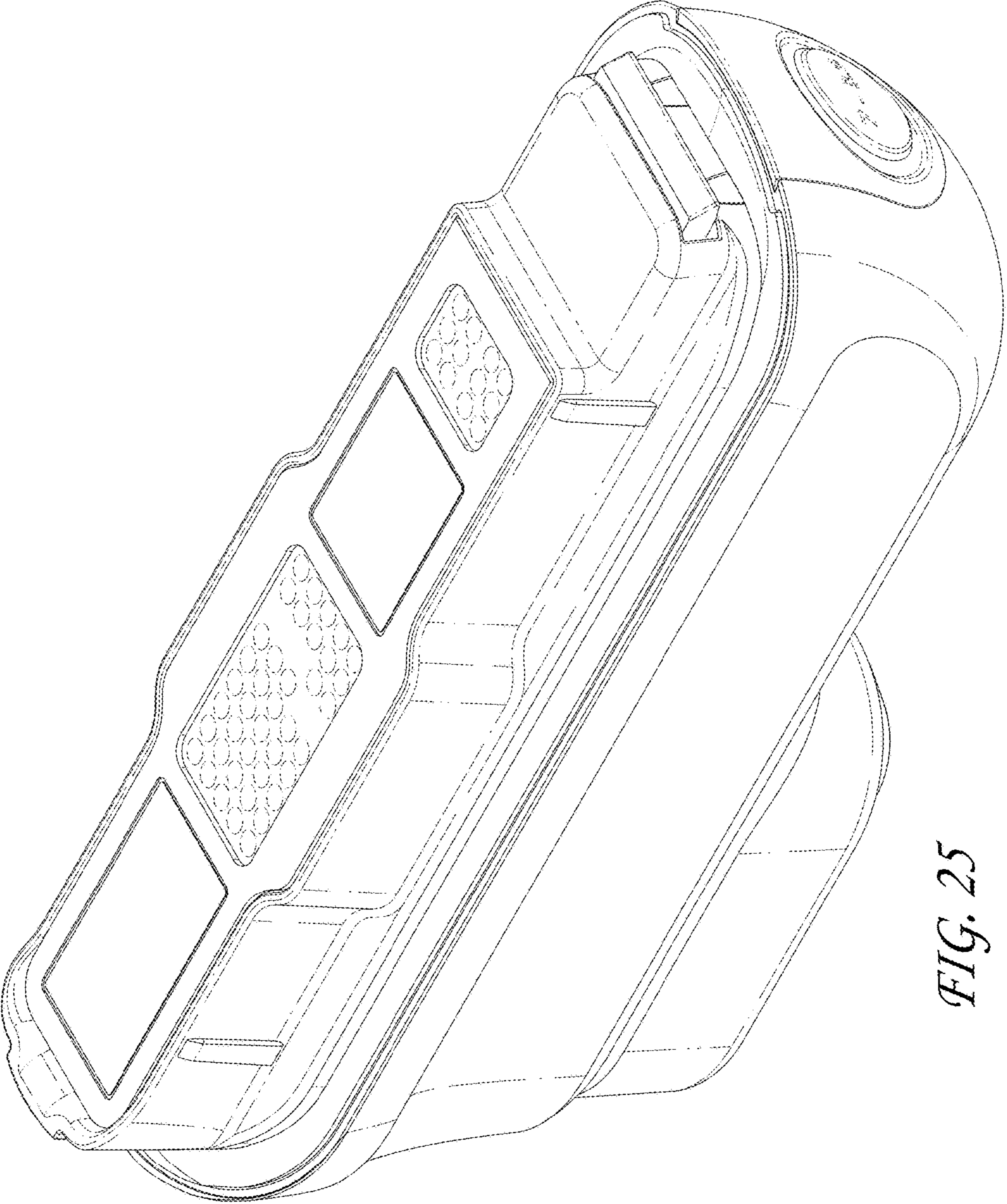


FIG. 25

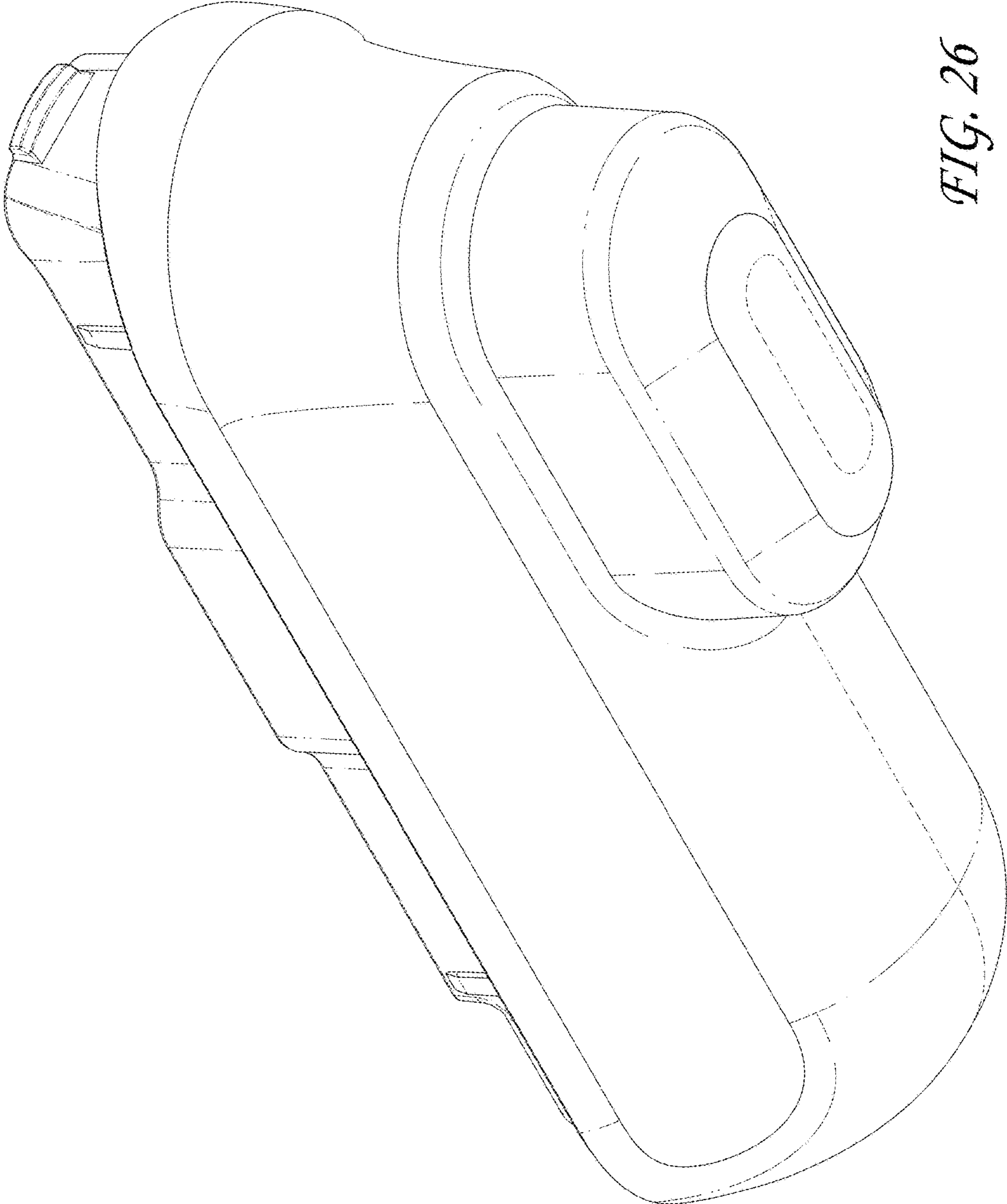


FIG. 26

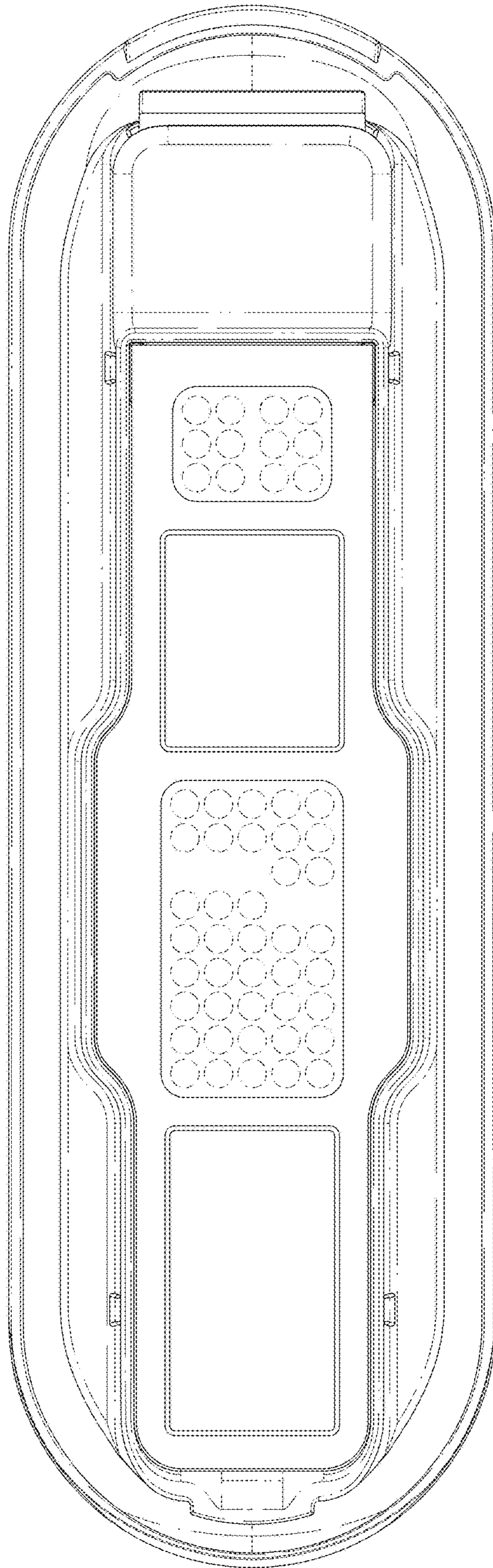


FIG. 27

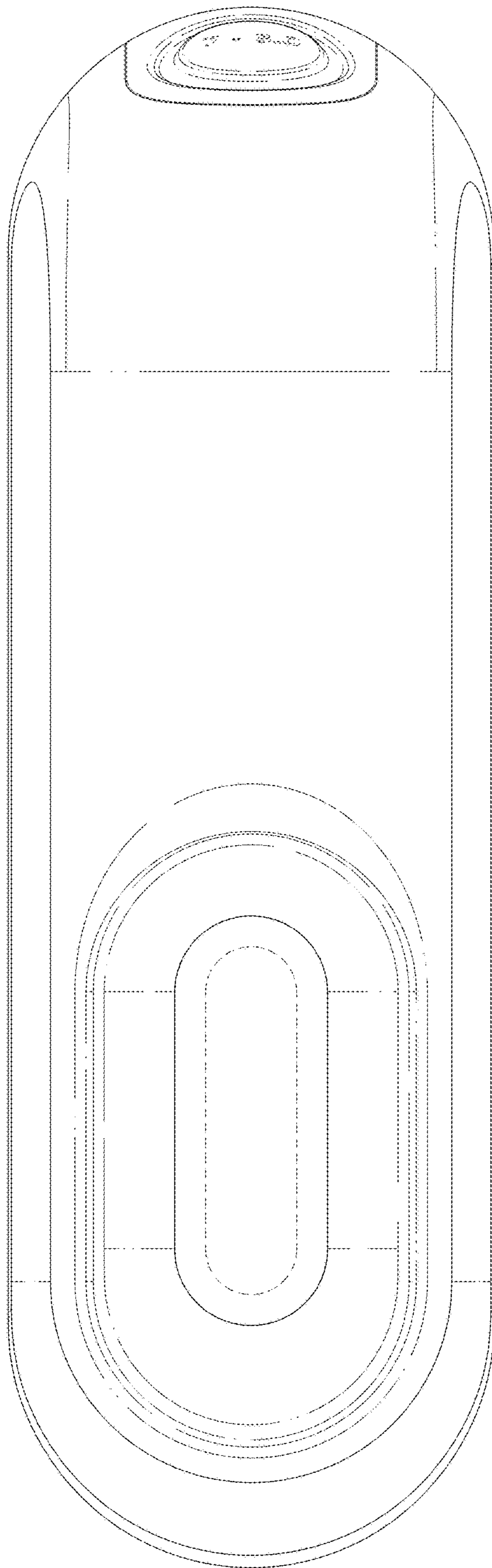


FIG. 28

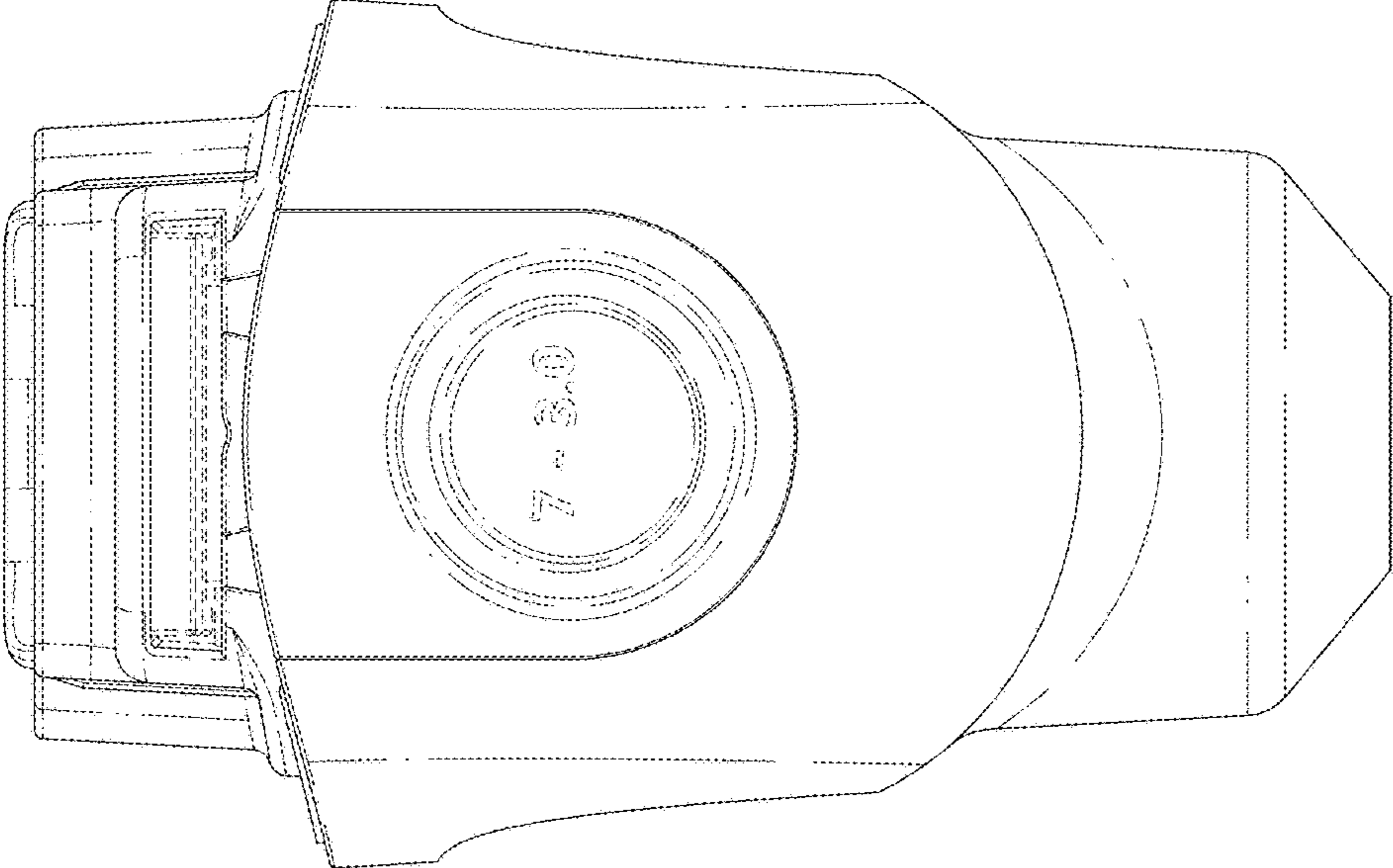


FIG. 29

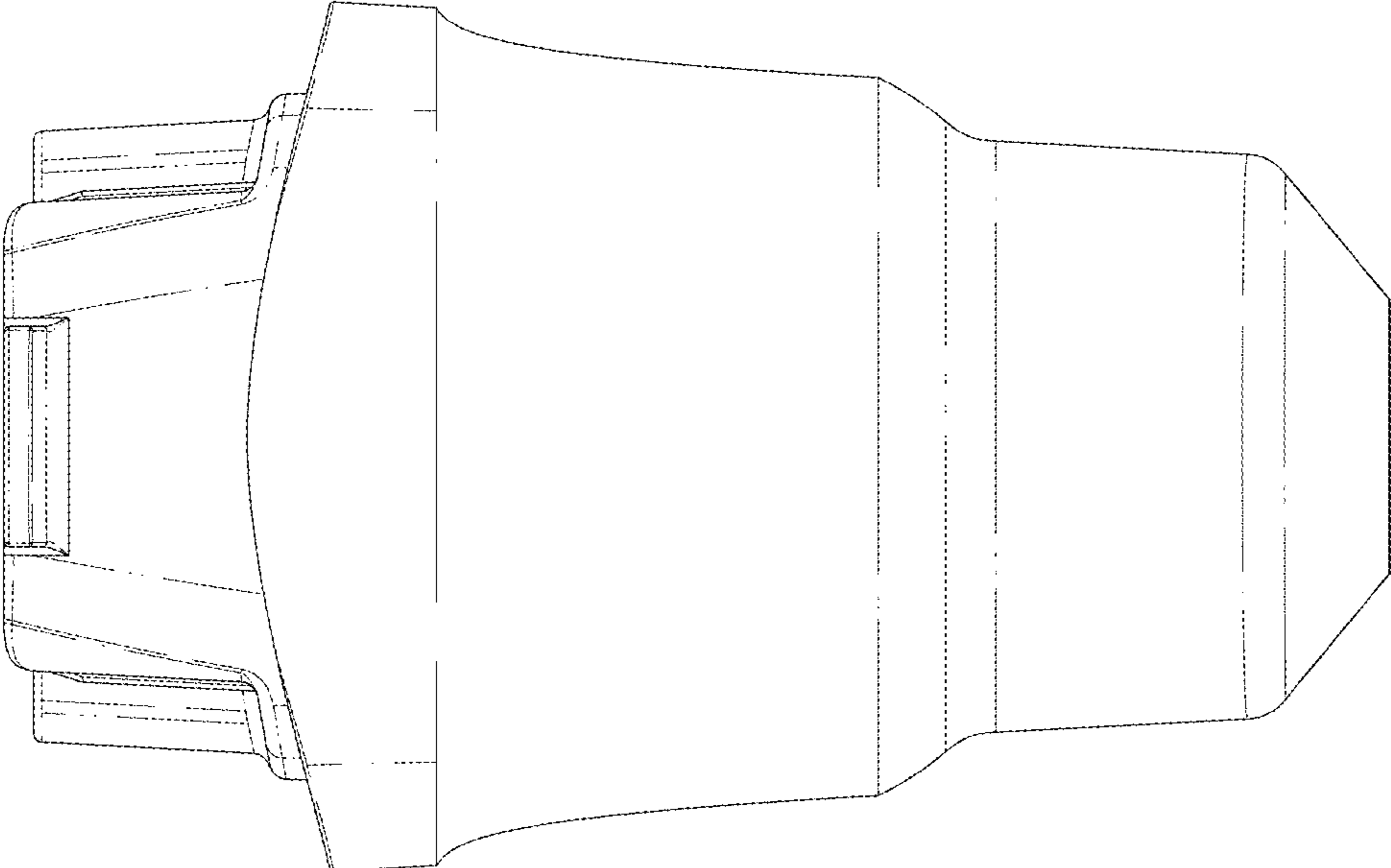


FIG. 30

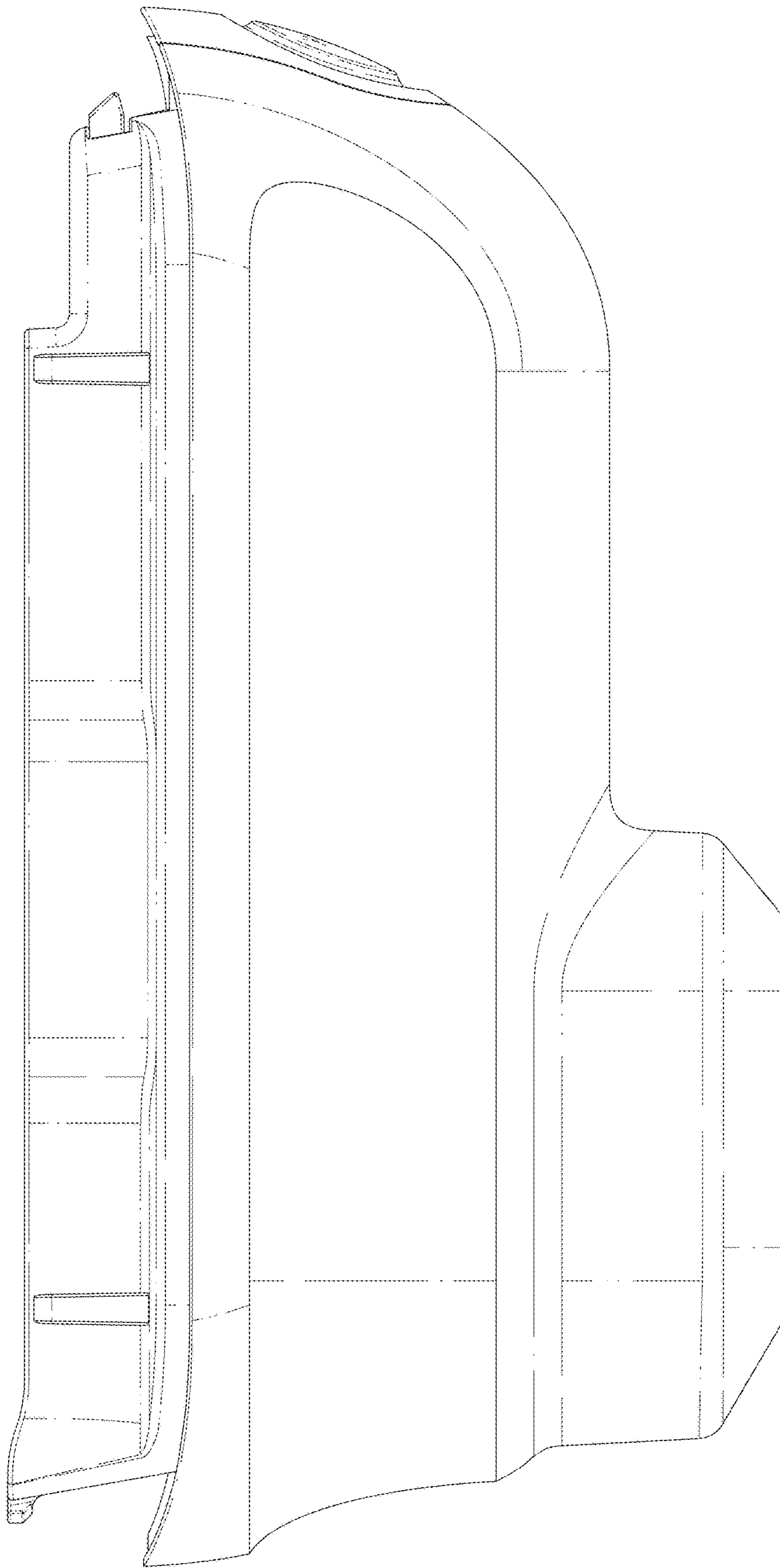


FIG. 31

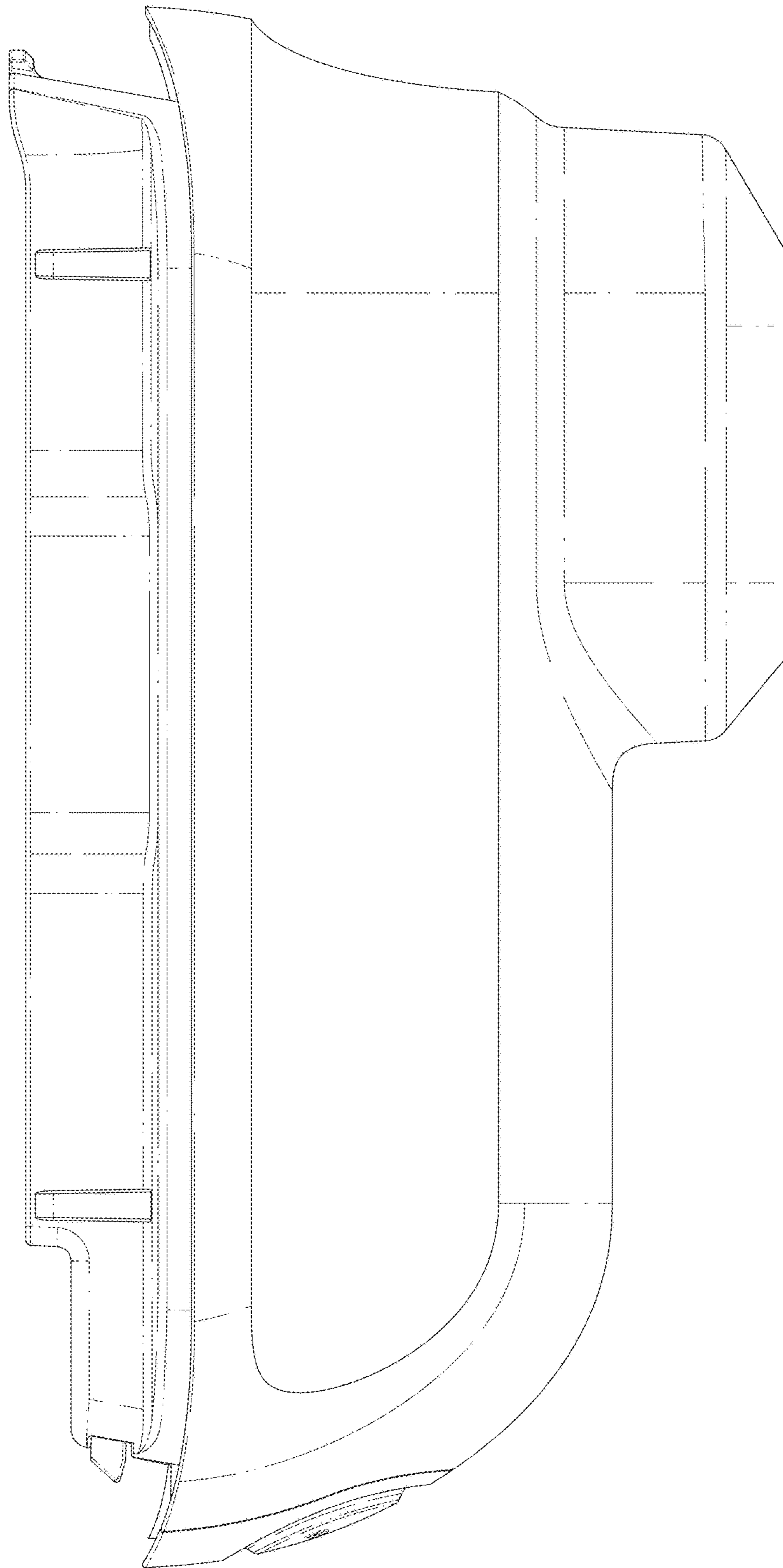


FIG. 32