

US00D861176S

(12) **United States Design Patent** (10) **Patent No.:** **US D861,176 S**  
**Yoon et al.** (45) **Date of Patent:** **\*\* Sep. 24, 2019**

(54) **SLEEP TRACKER**

(71) Applicant: **LG ELECTRONICS INC.**, Seoul (KR)

(72) Inventors: **Hyunjin Yoon**, Seoul (KR); **Seungil Lee**, Seoul (KR); **Hophil Lee**, Seoul (KR)

(73) Assignee: **LG Electronics Inc.**, Seoul (KR)

(\*\*) Term: **15 Years**

(21) Appl. No.: **35/504,771**

(22) Filed: **Oct. 16, 2017**

(80) **Hague Agreement Data**

Int. Filing Date: **Oct. 16, 2017**  
Int. Reg. No.: **DM/098465**  
Int. Reg. Date: **Oct. 16, 2017**  
Int. Reg. Pub. Date: **Apr. 20, 2018**

(30) **Foreign Application Priority Data**

Sep. 29, 2017 (KR) ..... 30-2017-0046424

(51) **LOC (12) Cl.** ..... **24-02**

(52) **U.S. Cl.**  
USPC ..... **D24/186**

(58) **Field of Classification Search**  
USPC ..... D24/107, 180, 186; D14/203.6, 216,  
D14/496, 509; D10/70  
See application file for complete search history.

(56) **References Cited**

**U.S. PATENT DOCUMENTS**

D245,368 S \* 8/1977 Mueller ..... D11/143  
D354,750 S \* 1/1995 Lewis ..... D14/211  
D496,349 S \* 9/2004 Allen ..... D14/211  
D658,298 S \* 4/2012 Prpa ..... D24/186  
D691,117 S \* 10/2013 Silvera ..... D14/213  
D697,496 S \* 1/2014 Ashcraft ..... D14/216  
D702,244 S \* 4/2014 Seo ..... D14/451

D707,827 S \* 6/2014 Tseng ..... D24/186  
D725,077 S \* 3/2015 Wong ..... D14/216  
D752,553 S \* 3/2016 Lee ..... D14/216  
D786,829 S \* 5/2017 Wang ..... A61B 5/1118  
D14/204  
D813,213 S \* 3/2018 Honda ..... D14/240  
2013/0310662 A1 \* 11/2013 Tsutsumi ..... A61B 5/4812  
600/301  
2014/0276245 A1 \* 9/2014 Tsutsumi ..... A61B 5/1118  
600/595

**OTHER PUBLICATIONS**

Faucetol.com, Chrome finish solid brass robe hook with round base cylinder bolt, 2016, online product page retrieved Dec. 24, 2018 from <URL:http://www.faucetol.com/chrome-finish-solid-brass-robe-hook-with-round-base-cylinder-bolt-best-bathroom-accessories.html> (Year: 2016).\*

\* cited by examiner

*Primary Examiner* — Sheryl Lane

*Assistant Examiner* — Calvin E Vansant

(74) *Attorney, Agent, or Firm* — Birch, Stewart, Kolasch & Birch, LLP

(57) **CLAIM**

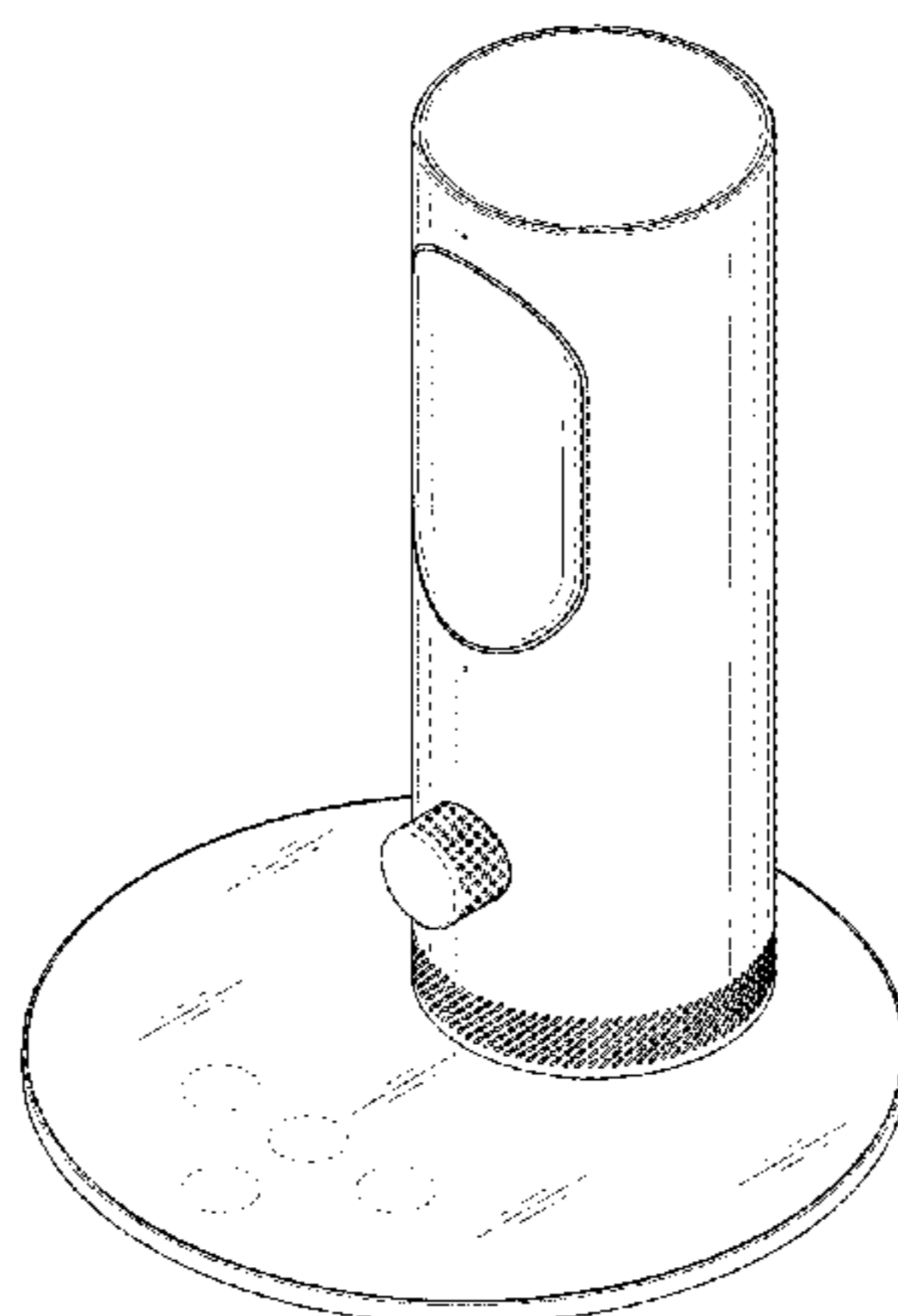
The ornamental design for a sleep tracker, as shown and described.

**DESCRIPTION**

- 1. Sleep tracker
- 1.1 : Perspective
- 1.2 : Front
- 1.3 : Back
- 1.4 : Left
- 1.5 : Right
- 1.6 : Top
- 1.7 : Bottom

The broken lines shown in the figures depict portions of the sleep tracker that form no part of the claimed design. The

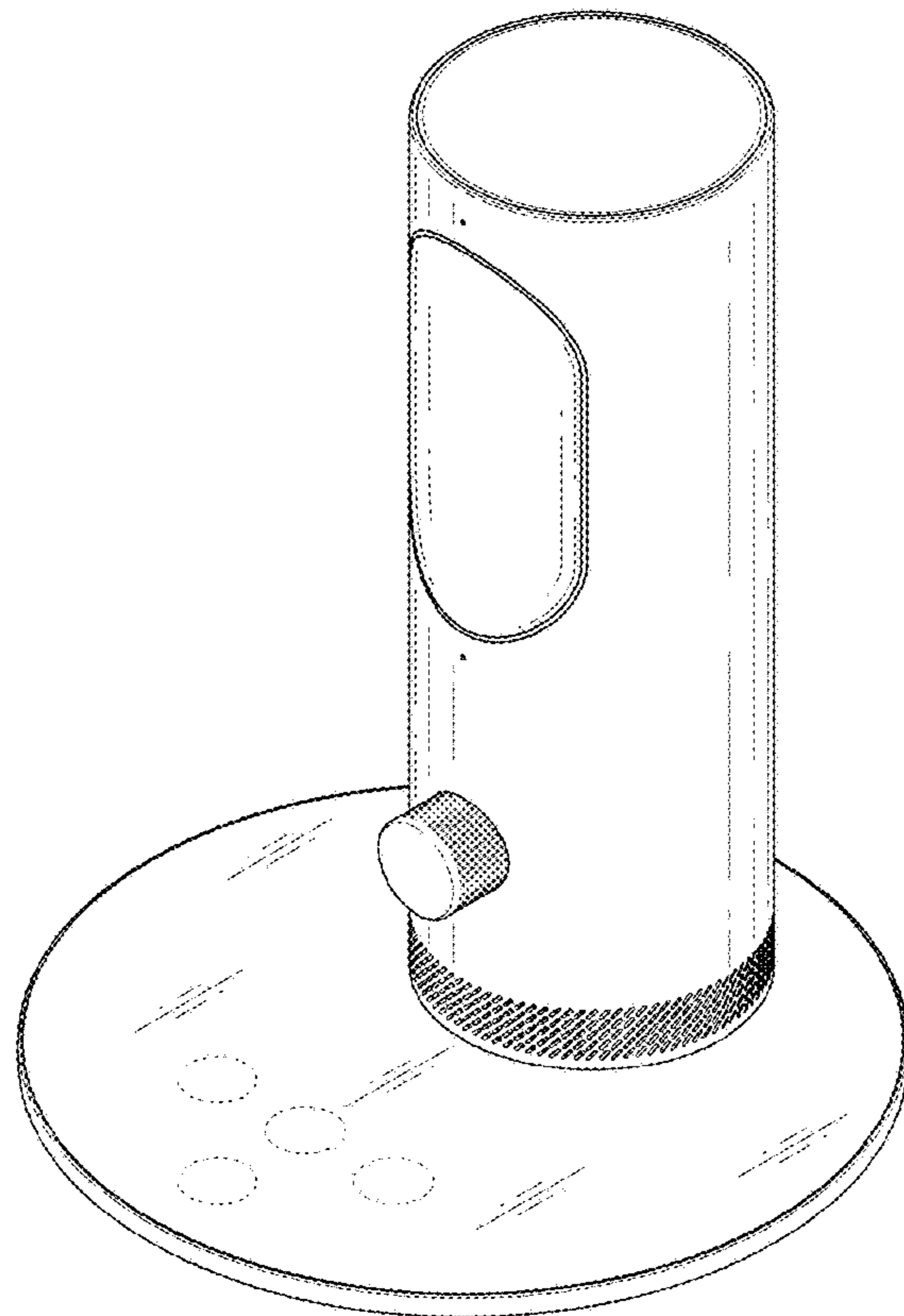
(Continued)



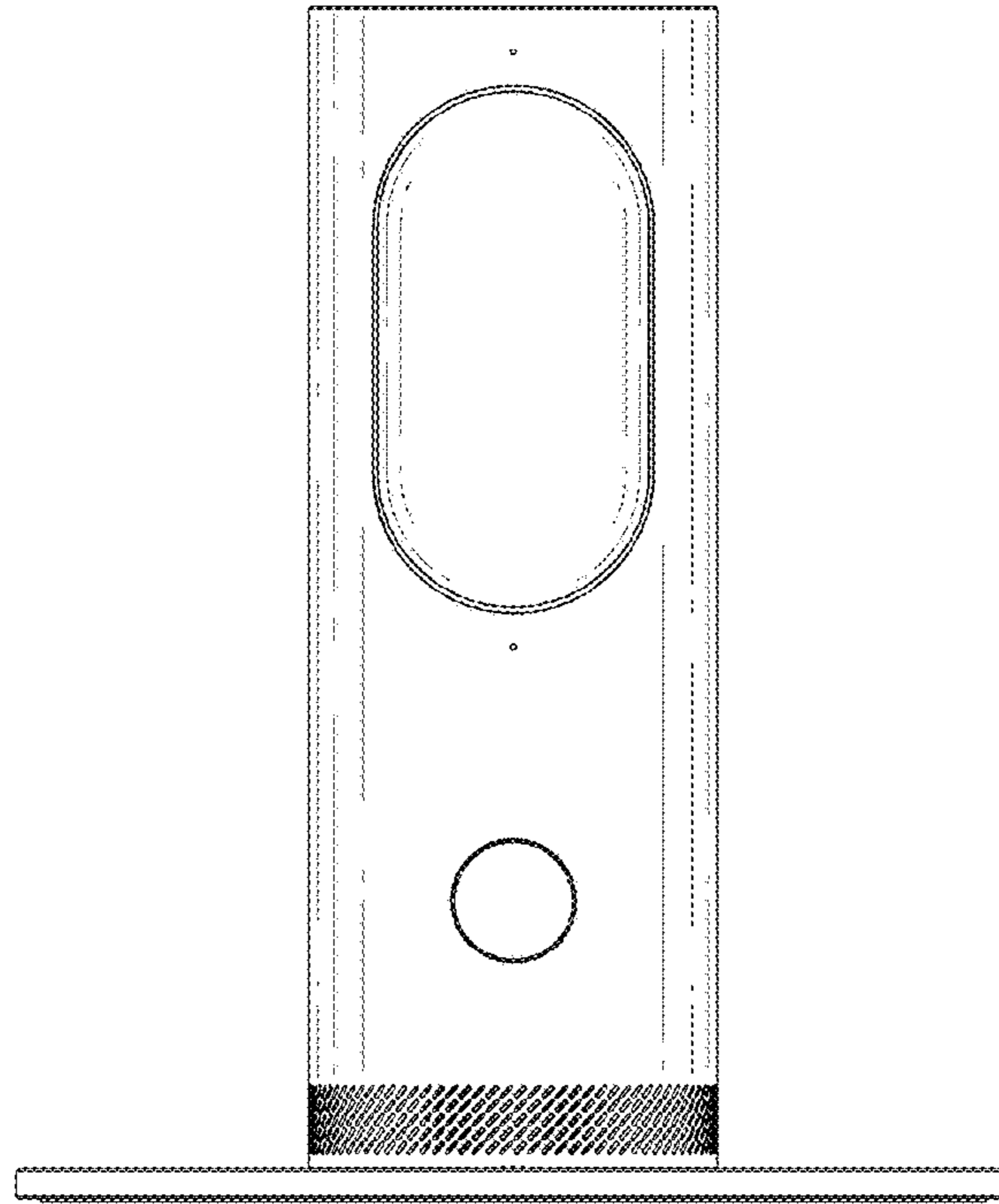
parallel fine lines and curves shown in all the drawings indicate the relief of surface of the product.

**1 Claim, 7 Drawing Sheets**

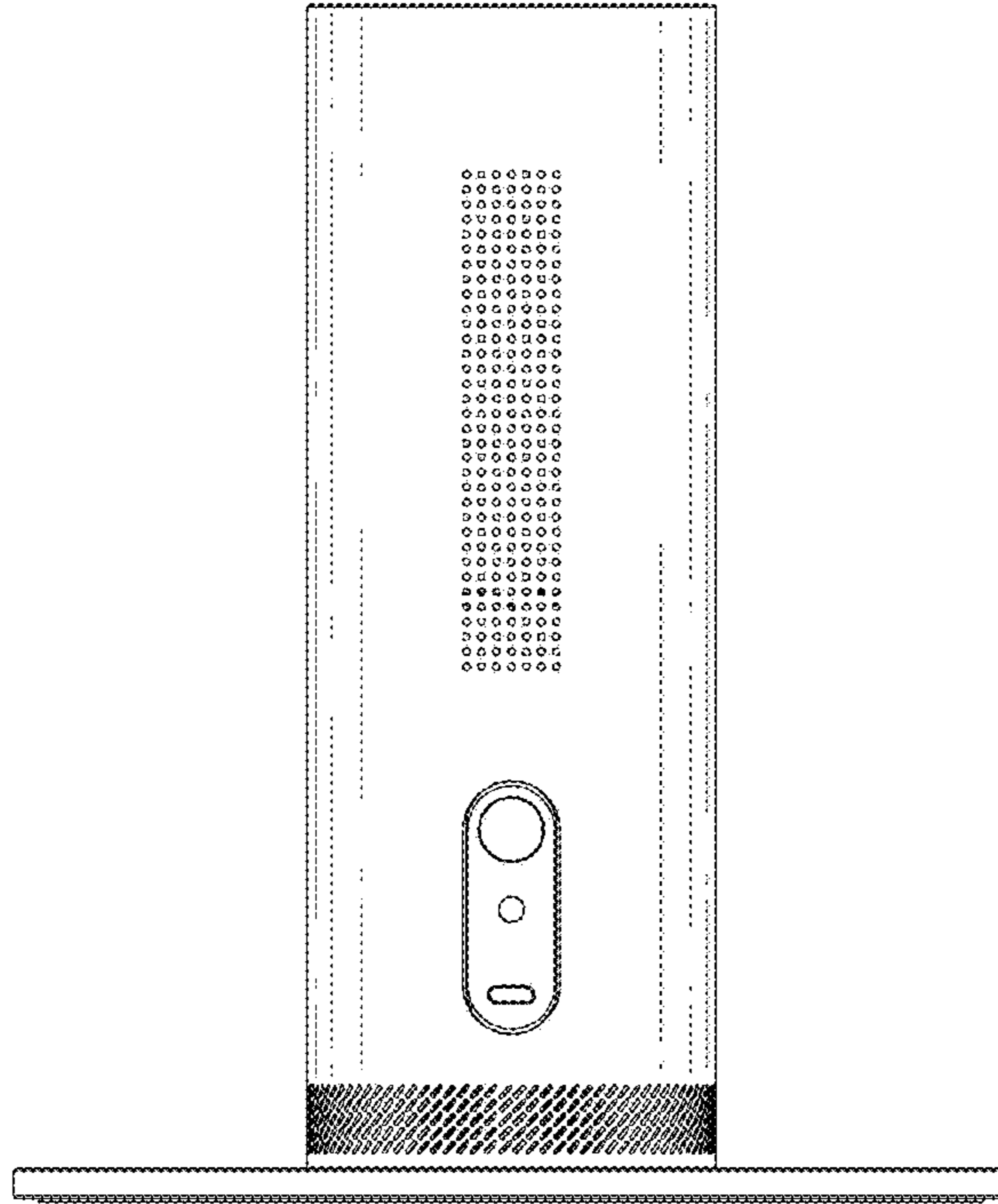
1.1



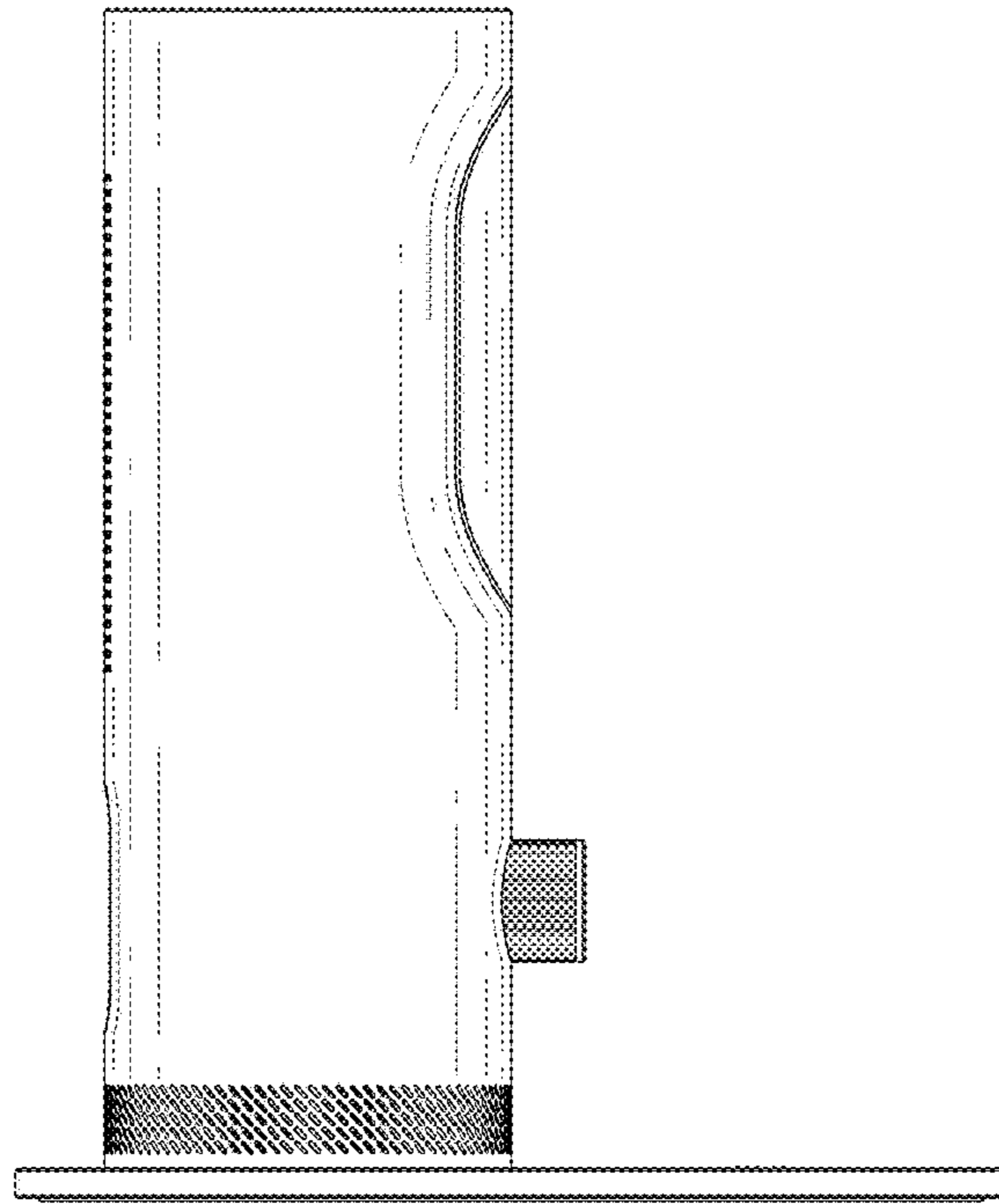
1.2



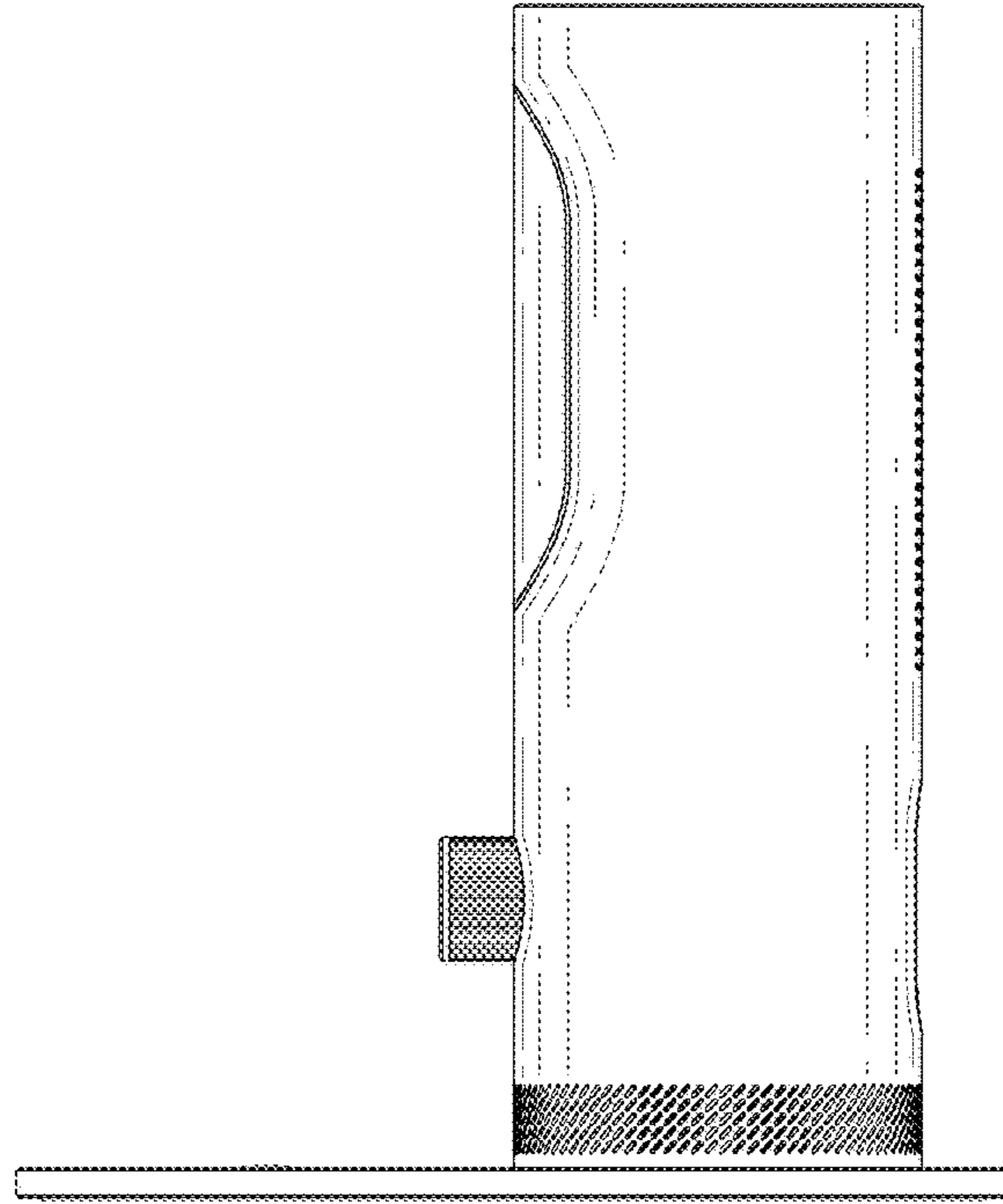
1.3



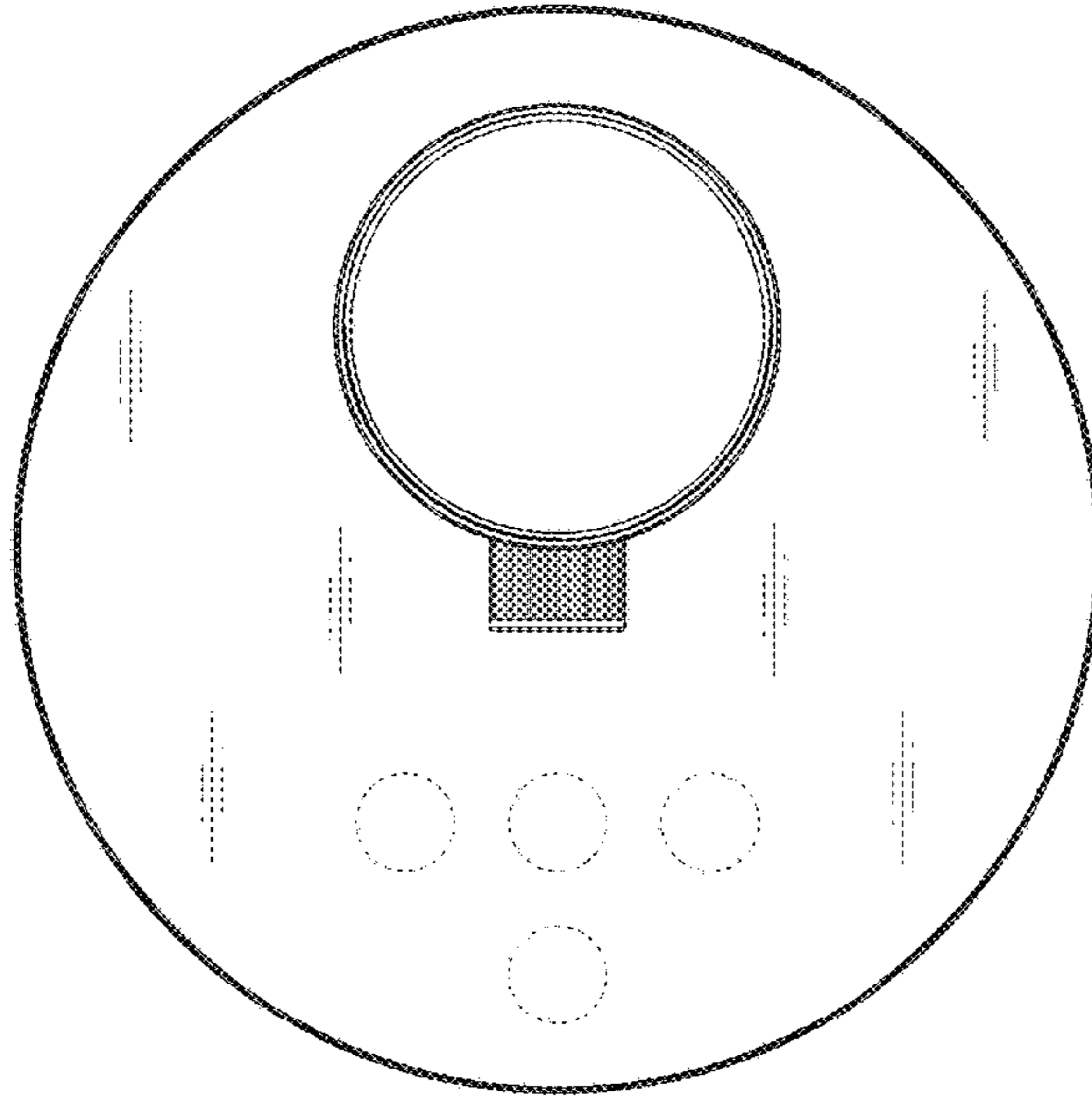
1.4



1.5



1.6





1.7

