

US00D861174S

(12) **United States Design Patent**
Webster et al.

(10) **Patent No.:** **US D861,174 S**
(45) **Date of Patent:** **** Sep. 24, 2019**

(54) DENTAL MATRIX DEVICE	6,074,210 A *	6/2000	Garrison	A61C 5/88 433/149
(71) Applicant: ULTRADENT PRODUCTS, INC. , South Jordan, UT (US)	6,234,793 B1	5/2001	Brattesani et al.	
	6,589,053 B2 *	7/2003	Bills	A61C 5/85 433/139
(72) Inventors: Thomas John Webster , Riverton, UT (US); Bruce S. McLean , Sandy, UT (US); Wade Robert Michael Smith , Pleasant Grove, UT (US)	8,517,732 B2 *	8/2013	Segal	A61C 5/85 433/155
	9,517,110 B2 *	12/2016	McDonald	A61C 5/85
	9,687,970 B2	6/2017	Chen	
	D792,594 S *	7/2017	Nicholson	D24/176
(73) Assignee: ULTRADENT PRODUCTS, INC. , South Jordan, UT (US)	2011/0244421 A1	10/2011	Segal et al.	

(Continued)

FOREIGN PATENT DOCUMENTS

WO 2010061161 A1 6/2010

Primary Examiner — Wan Laymon

(74) *Attorney, Agent, or Firm* — Maschoff Brennan

(57) **CLAIM**

The ornamental design for a dental matrix device, as shown and described.

DESCRIPTION

FIG. 1 is an upper perspective view of an embodiment of a dental matrix device;

FIG. 2 is a lower perspective view of the dental matrix device of FIG. 1;

FIG. 3 is a rear view of the dental matrix device of FIG. 1;

FIG. 4 is a front view of the dental matrix device of FIG. 1;

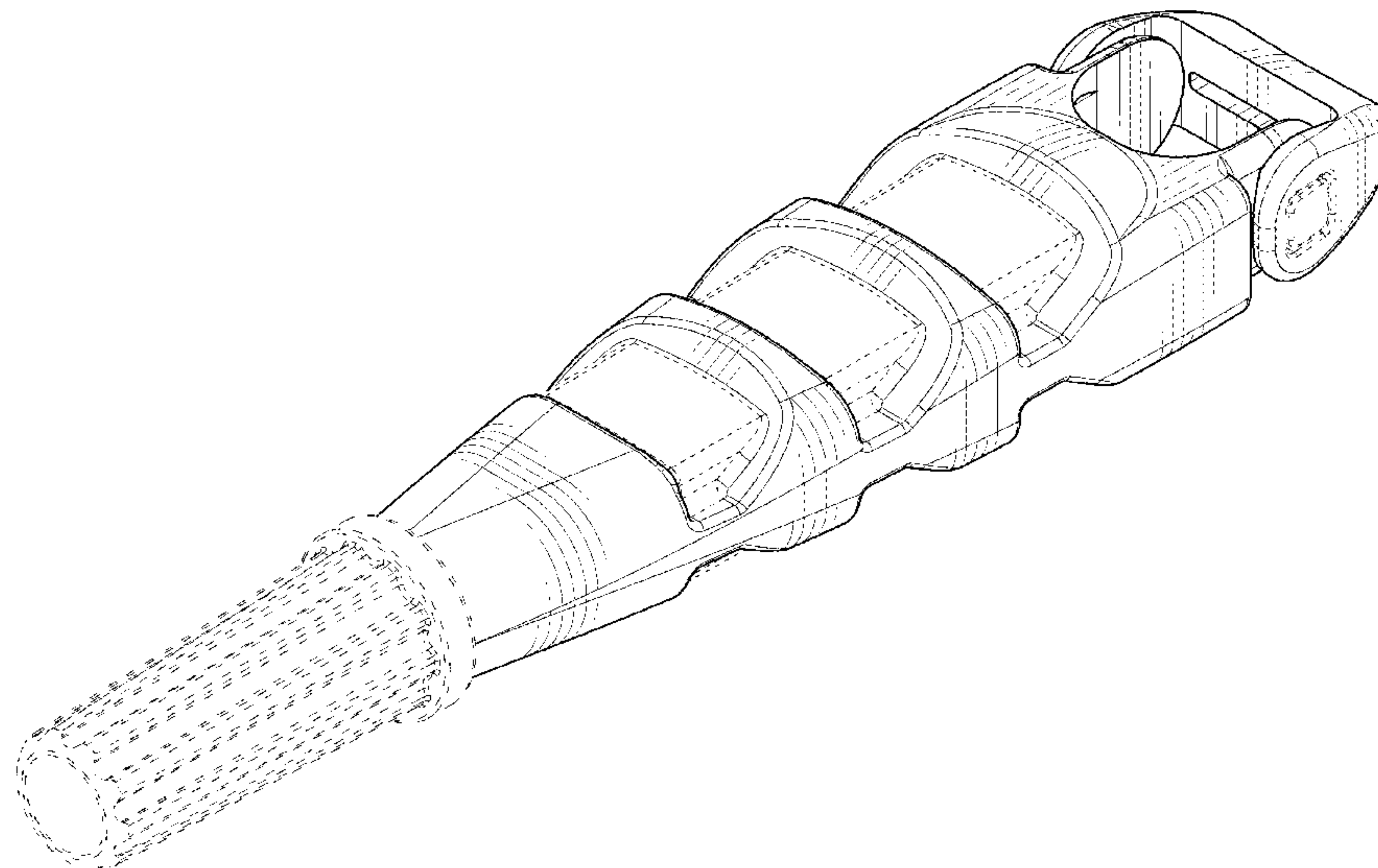
FIG. 5 is a right side view of the dental matrix device of FIG. 1;

FIG. 6 is a left side view of the dental matrix device of FIG. 1; and,

FIG. 7 is a top view of the dental matrix device of FIG. 1, which is identical to a bottom view of the dental matrix device of FIG. 1.

In the drawings, the broken lines depict environmental subject matter only and form no part of the claimed design.

1 Claim, 6 Drawing Sheets



Related U.S. Application Data

(62) Division of application No. 29/615,173, filed on Aug. 25, 2017.

(51) **LOC (12) Cl.** **24-02**

(52) **U.S. Cl.**
USPC **D24/181**

(58) **Field of Classification Search**
USPC D24/176-182, 152; 433/39, 139, 223
CPC A61C 5/85; A61C 5/88
See application file for complete search history.

(56) **References Cited**

U.S. PATENT DOCUMENTS

2,286,021 A	6/1942	Stanford	
2,439,703 A	6/1946	Tofflemire	
3,462,841 A *	8/1969	Ainsworth	A61C 5/85 433/161
5,055,045 A	10/1991	Dickie et al.	
5,342,197 A	8/1994	Stein et al.	
5,460,525 A	10/1995	Rashid	

(56)

References Cited

U.S. PATENT DOCUMENTS

2018/0008375 A1* 1/2018 Nicholson A61C 5/85
2019/0060032 A1* 2/2019 Webster A61C 5/85

* cited by examiner

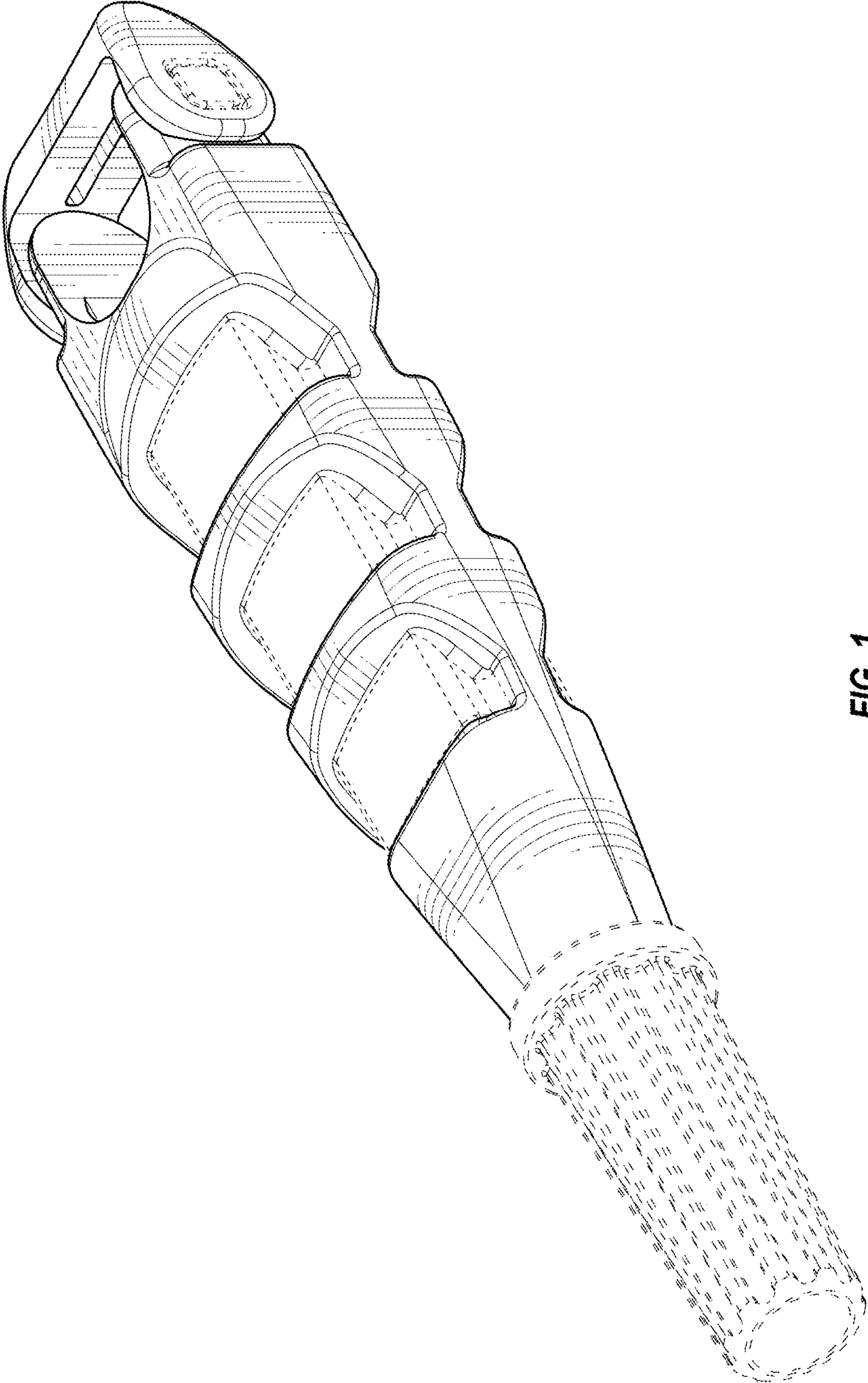


FIG. 1

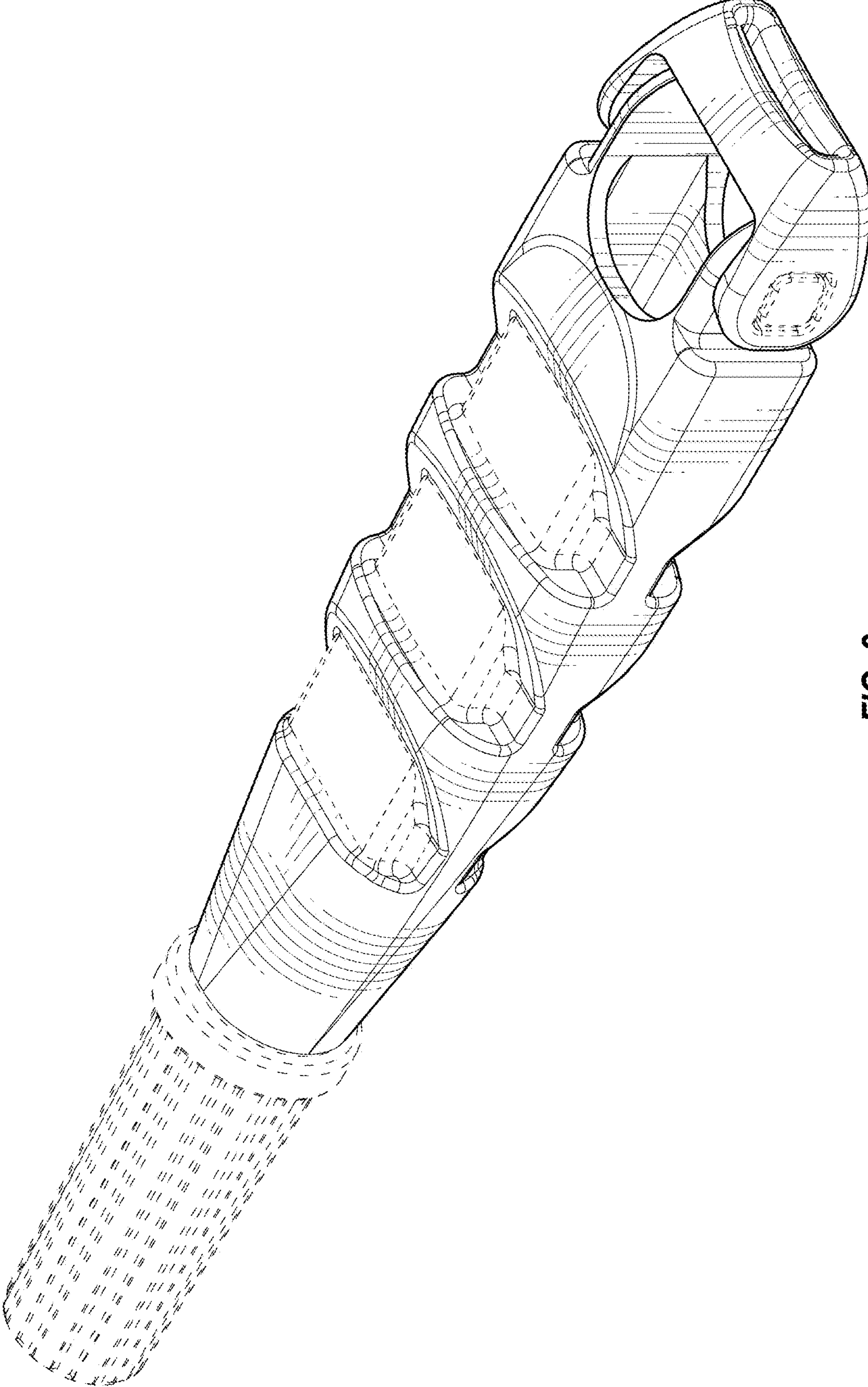


FIG. 2

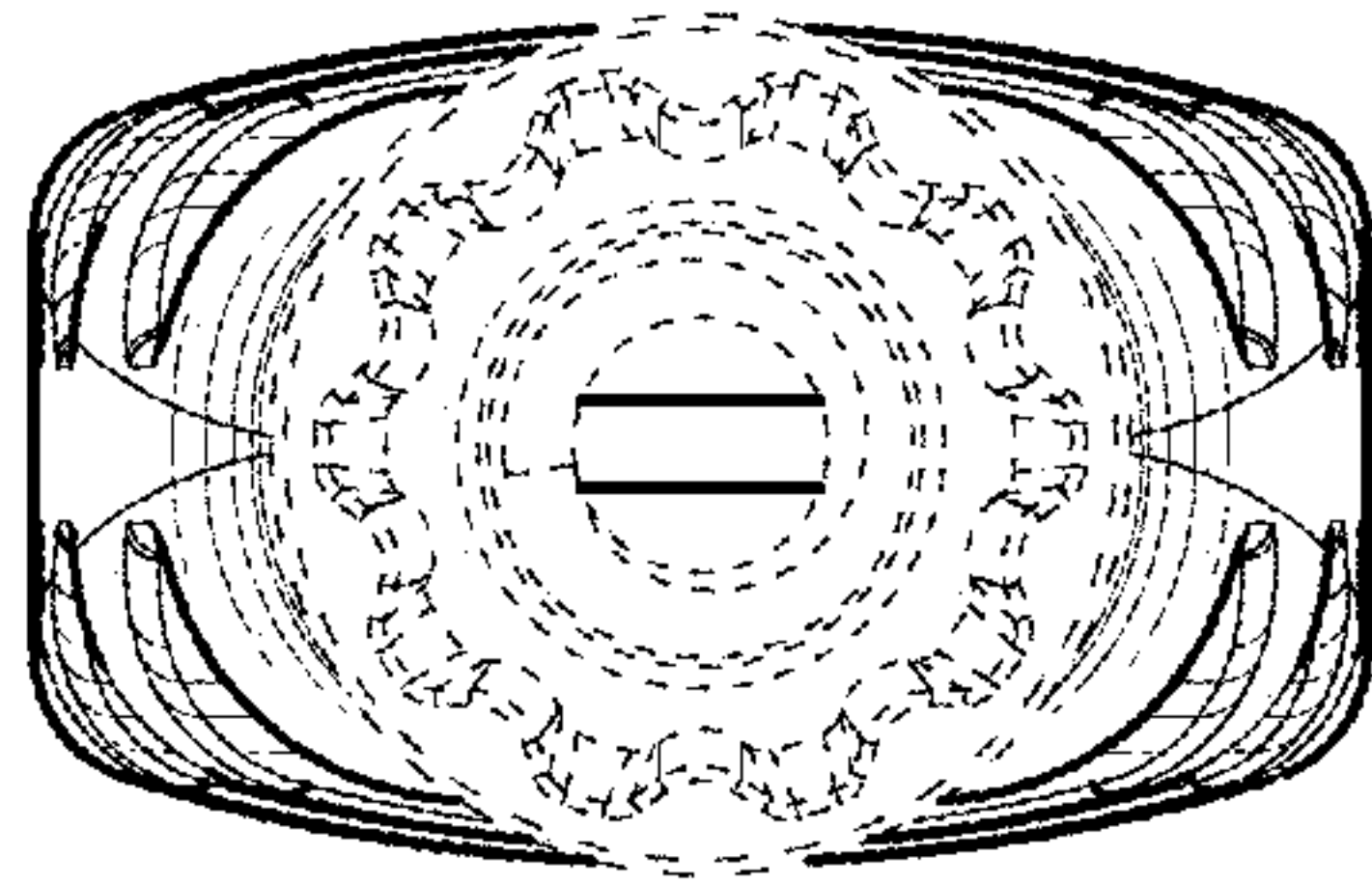


FIG. 3

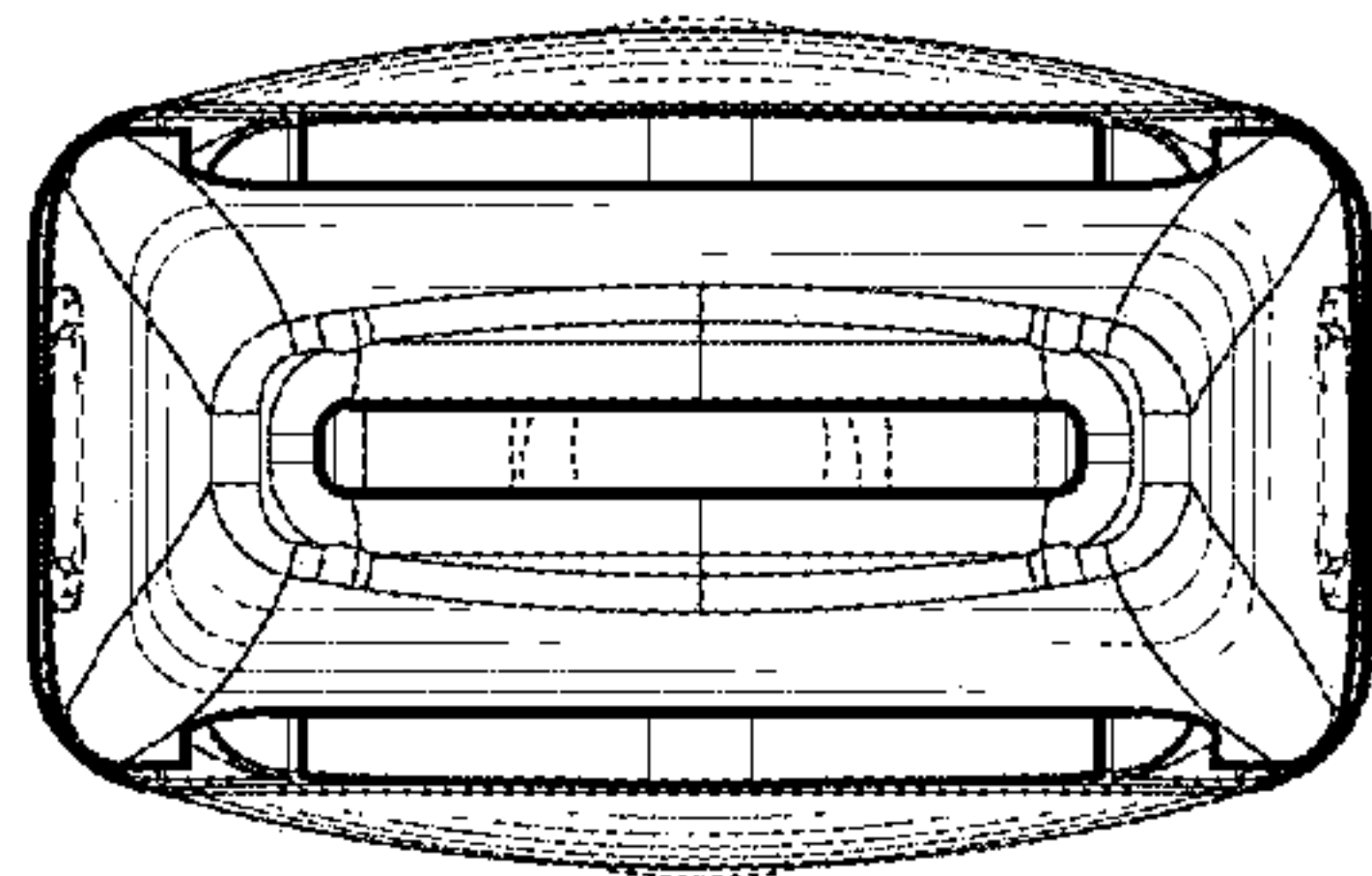


FIG. 4

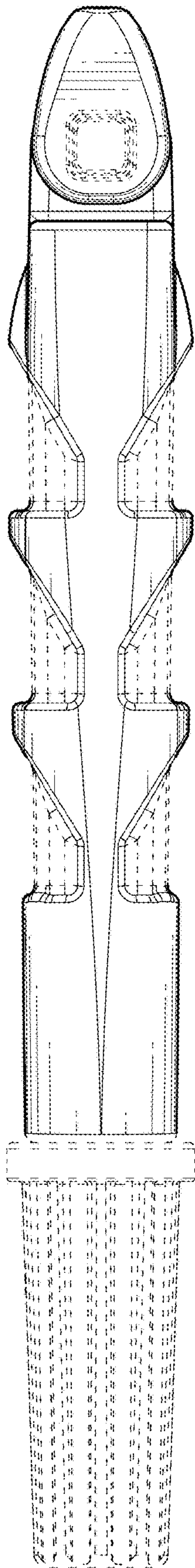


FIG. 5

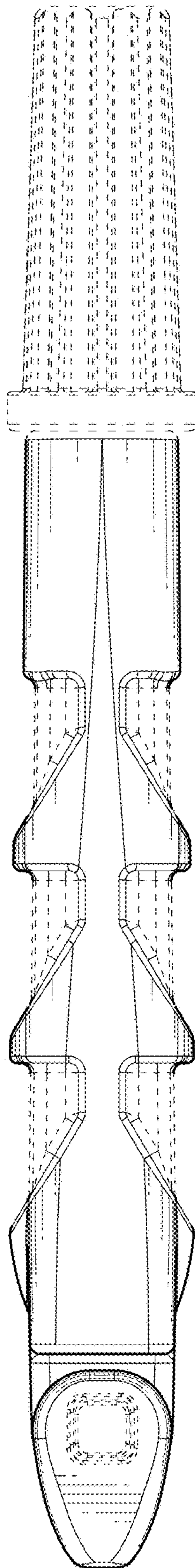


FIG. 6

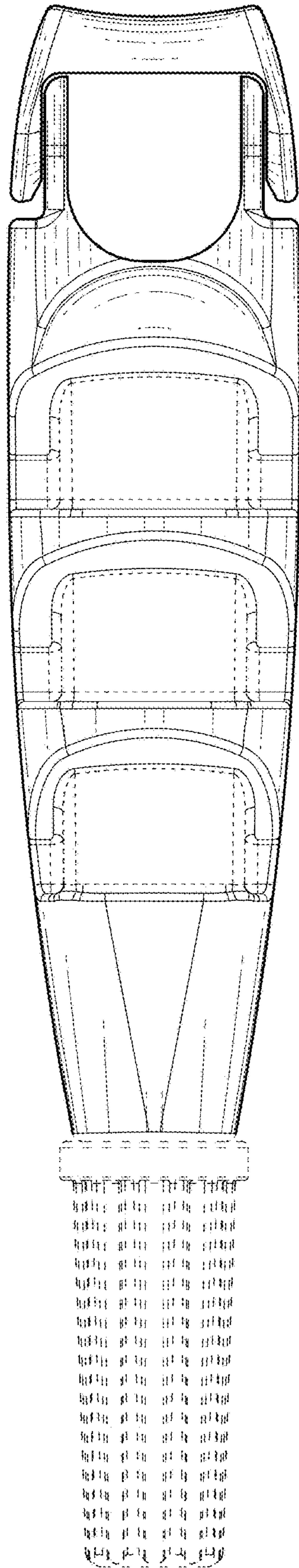


FIG. 7