



US00D861173S

(12) **United States Design Patent** (10) **Patent No.:** **US D861,173 S**  
**Webster et al.** (45) **Date of Patent:** **\*\* Sep. 24, 2019**

- (54) **DENTAL MATRIX DEVICE** 6,074,210 A \* 6/2000 Garrison ..... A61C 5/88  
433/149
- (71) Applicant: **ULTRADENT PRODUCTS, INC.**, 6,234,793 B1 5/2001 Brattesani et al.  
South Jordan, UT (US) 6,589,053 B2 \* 7/2003 Bills ..... A61C 5/85  
433/139
- (72) Inventors: **Thomas John Webster**, Riverton, UT 8,517,732 B2 \* 8/2013 Segal ..... A61C 5/85  
(US); **Bruce S. McLean**, Sandy, UT 9,517,110 B2 \* 12/2016 McDonald ..... A61C 5/85  
(US); **Wade Robert Michael Smith**, 9,687,970 B2 6/2017 Chen  
Pleasant Grove, UT (US) D792,594 S \* 7/2017 Nicholson ..... D24/176  
2011/0244421 A1 10/2011 Segal et al.  
(Continued)
- (73) Assignee: **ULTRADENT PRODUCTS, INC.**,  
South Jordan, UT (US)

- (\*\*) Term: **15 Years**
- (21) Appl. No.: **29/674,373**
- (22) Filed: **Dec. 20, 2018**

**Related U.S. Application Data**

- (62) Division of application No. 29/615,173, filed on Aug.  
25, 2017.
- (51) **LOC (12) Cl.** ..... **24-02**
- (52) **U.S. Cl.**  
USPC ..... **D24/181**
- (58) **Field of Classification Search**  
USPC ..... D24/176-182, 152; 433/39, 139, 223  
CPC ..... A61C 5/85; A61C 5/88  
See application file for complete search history.

(56) **References Cited**

**U.S. PATENT DOCUMENTS**

- 2,286,021 A 6/1942 Stanford  
2,439,703 A 6/1946 Tofflemire  
3,462,841 A \* 8/1969 Ainsworth ..... A61C 5/85  
433/161
- 5,055,045 A 10/1991 Dickie et al.  
5,342,197 A 8/1994 Stein et al.  
5,460,525 A 10/1995 Rashid

**FOREIGN PATENT DOCUMENTS**

WO 2010061161 A1 6/2010

*Primary Examiner* — Wan Laymon

(74) *Attorney, Agent, or Firm* — Maschoff Brennan

(57) **CLAIM**

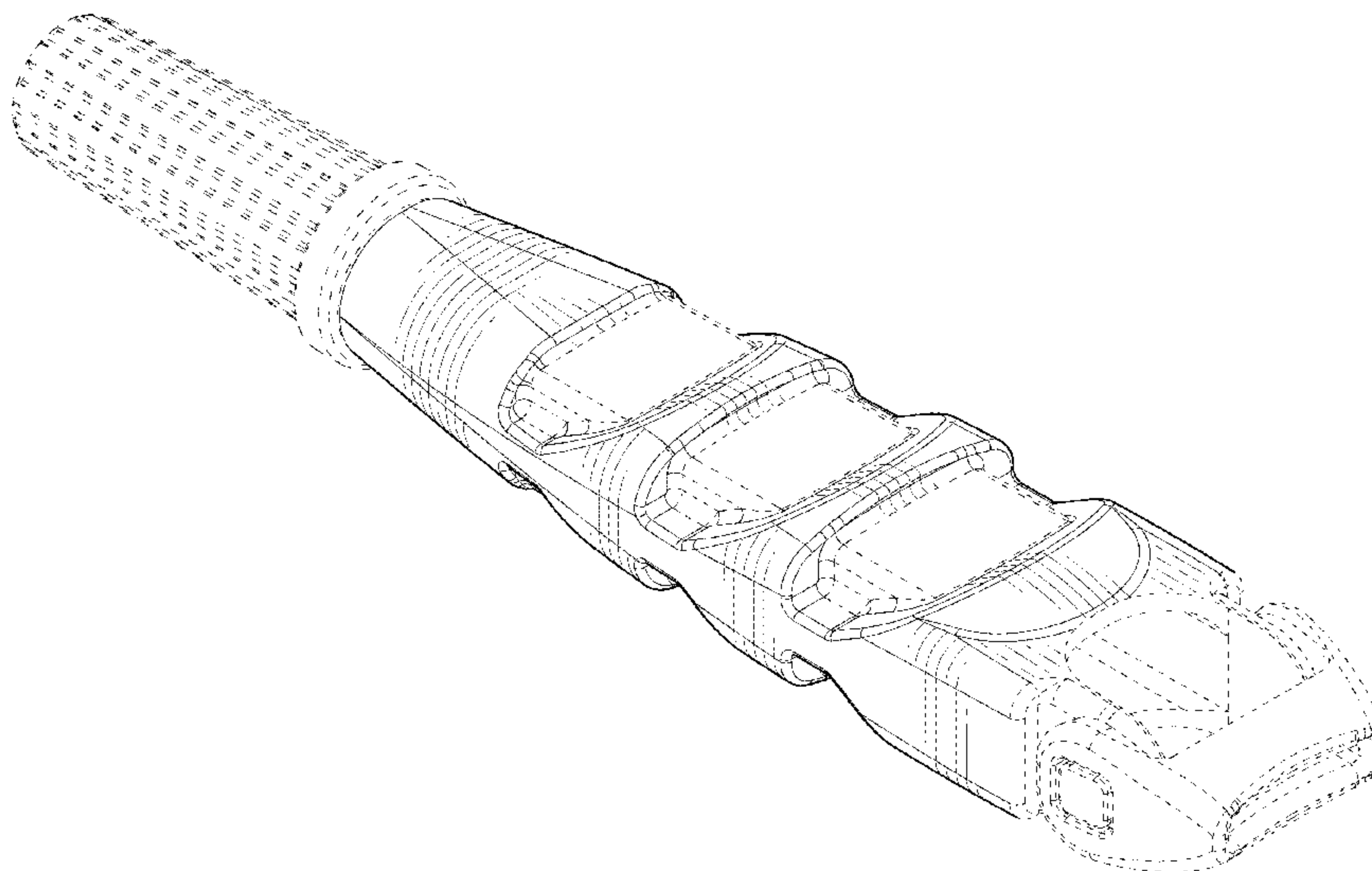
The ornamental design for a dental matrix device, as shown and described.

**DESCRIPTION**

FIG. 1 is an upper perspective view of an embodiment of a dental matrix device;  
FIG. 2 is a lower perspective view of the dental matrix device of FIG. 1;  
FIG. 3 is a rear view of the dental matrix device of FIG. 1;  
FIG. 4 is a front view of the dental matrix device of FIG. 1;  
FIG. 5 is a right side view of the dental matrix device of FIG. 1;  
FIG. 6 is a left side view of the dental matrix device of FIG. 1; and,  
FIG. 7 is a top view of the dental matrix device of FIG. 1, which is identical to a bottom view of the dental matrix device of FIG. 1.

In the drawings, the broken lines depict environmental subject matter only and form no part of the claimed design.

**1 Claim, 6 Drawing Sheets**



(56)

**References Cited**

U.S. PATENT DOCUMENTS

2018/0008375 A1\* 1/2018 Nicholson ..... A61C 5/85  
2019/0060032 A1\* 2/2019 Webster ..... A61C 5/85

\* cited by examiner

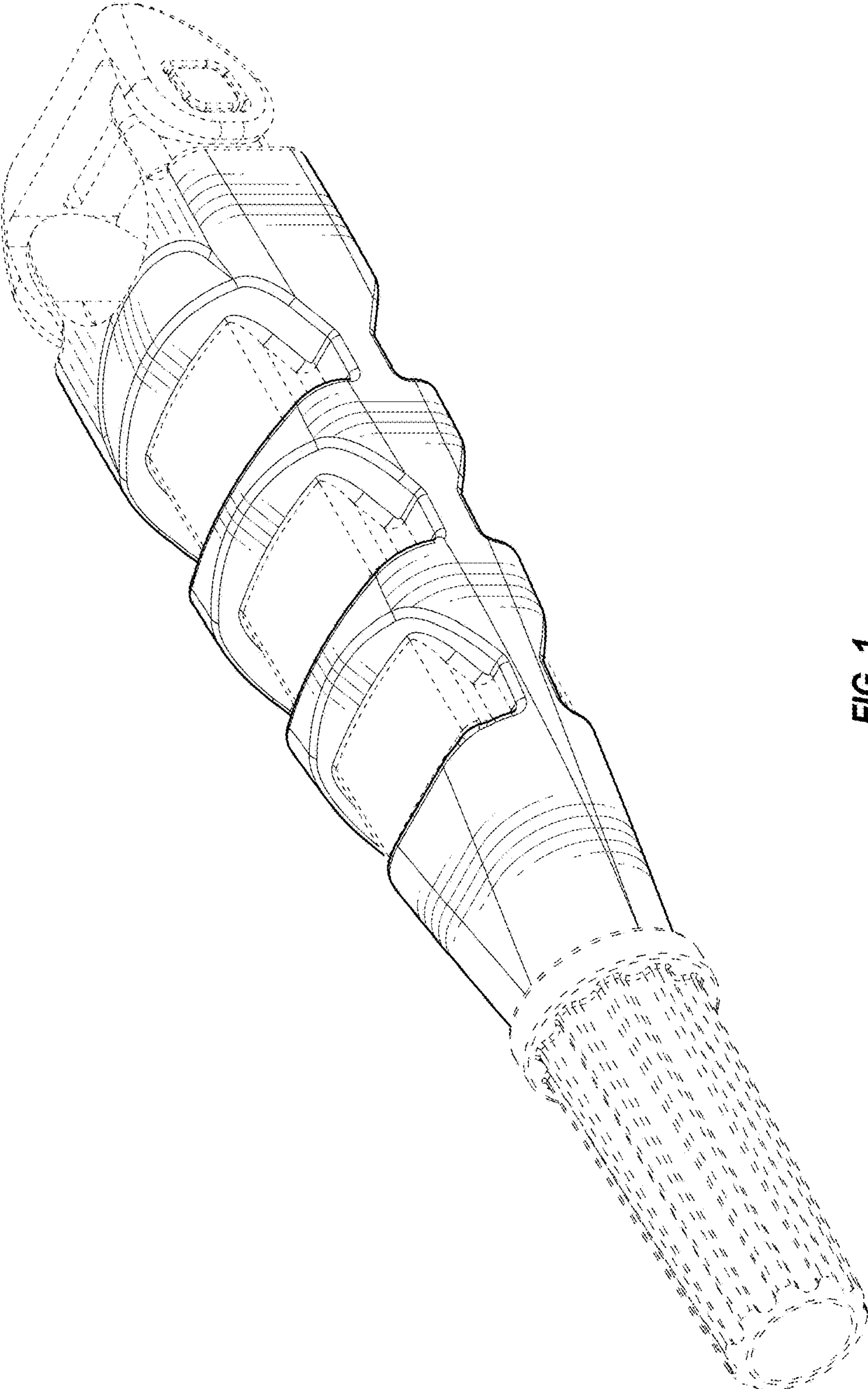


FIG. 1

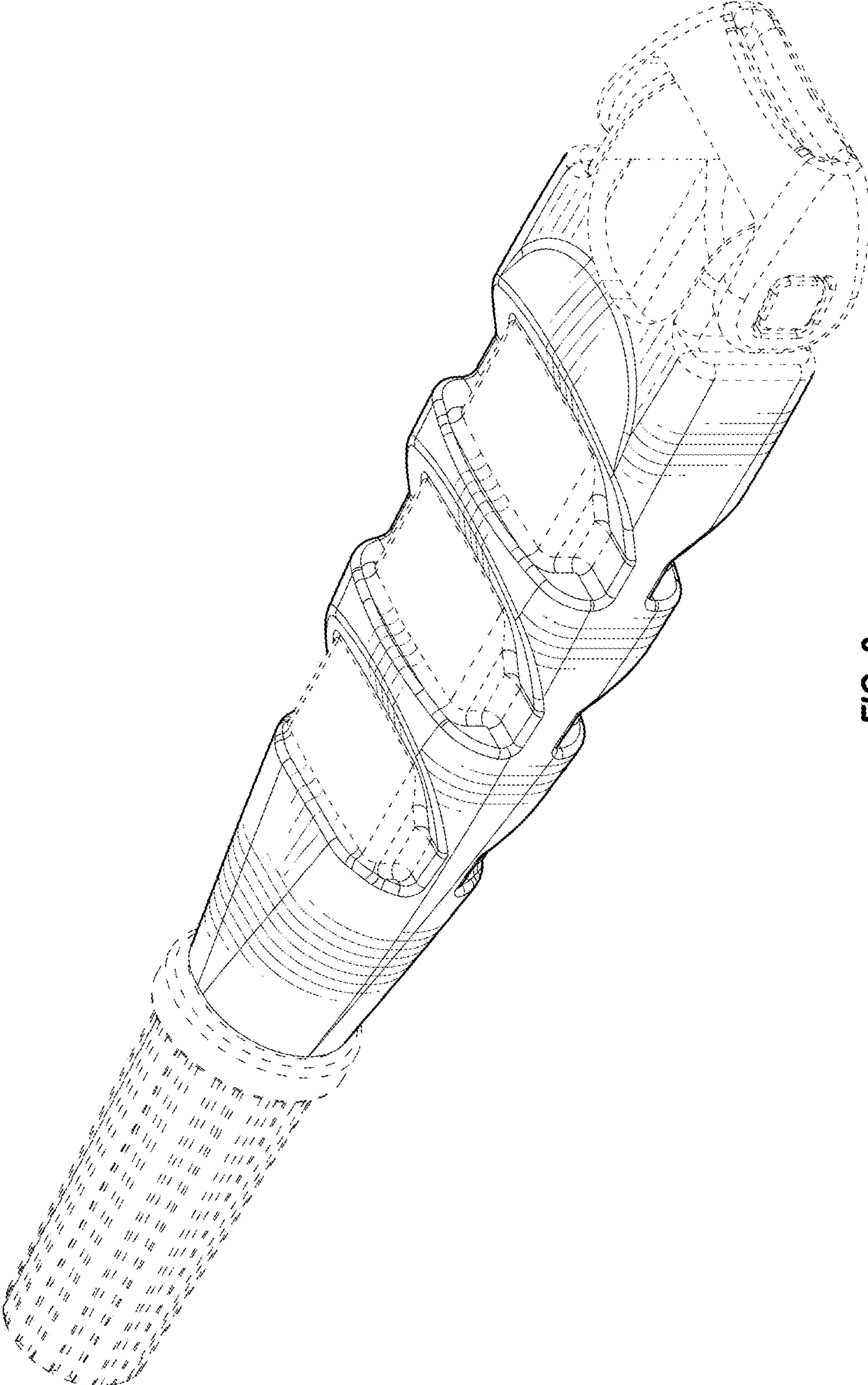
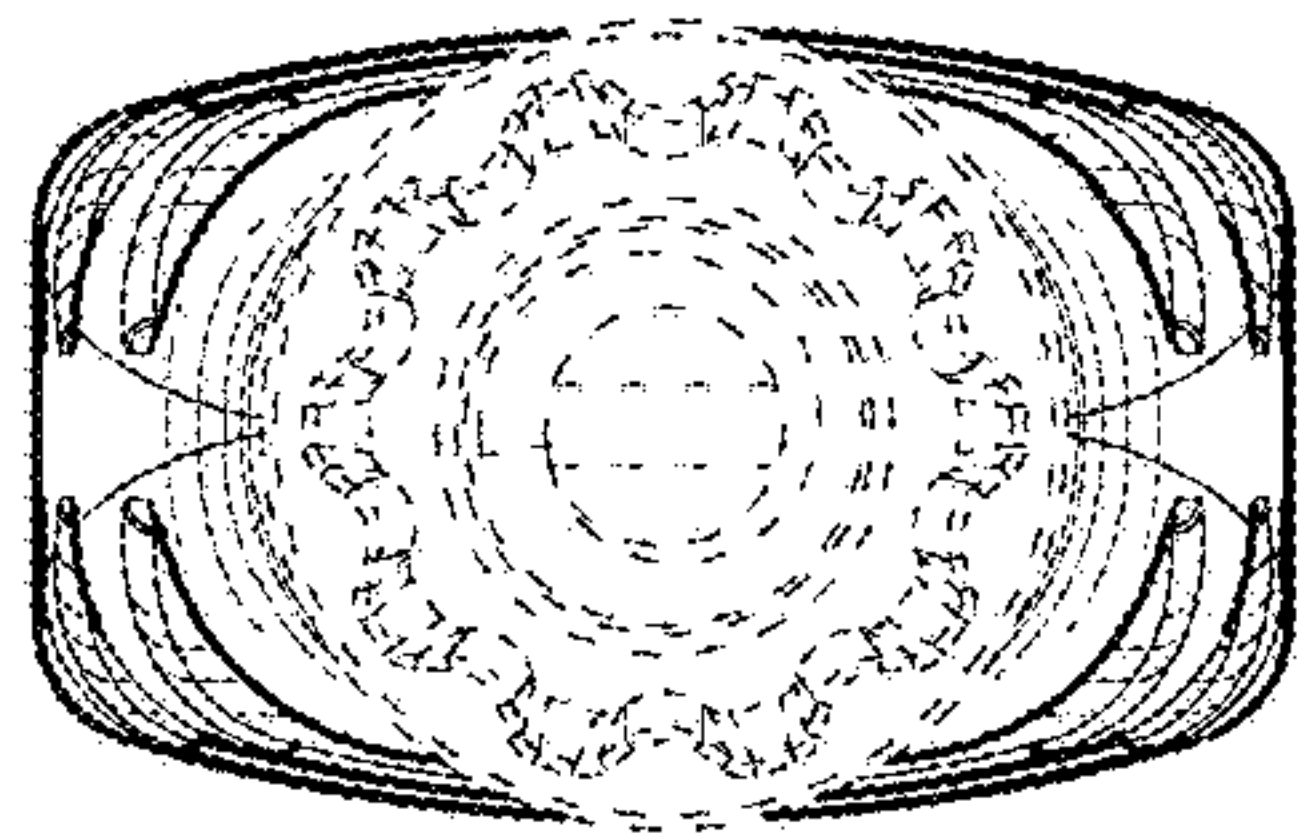
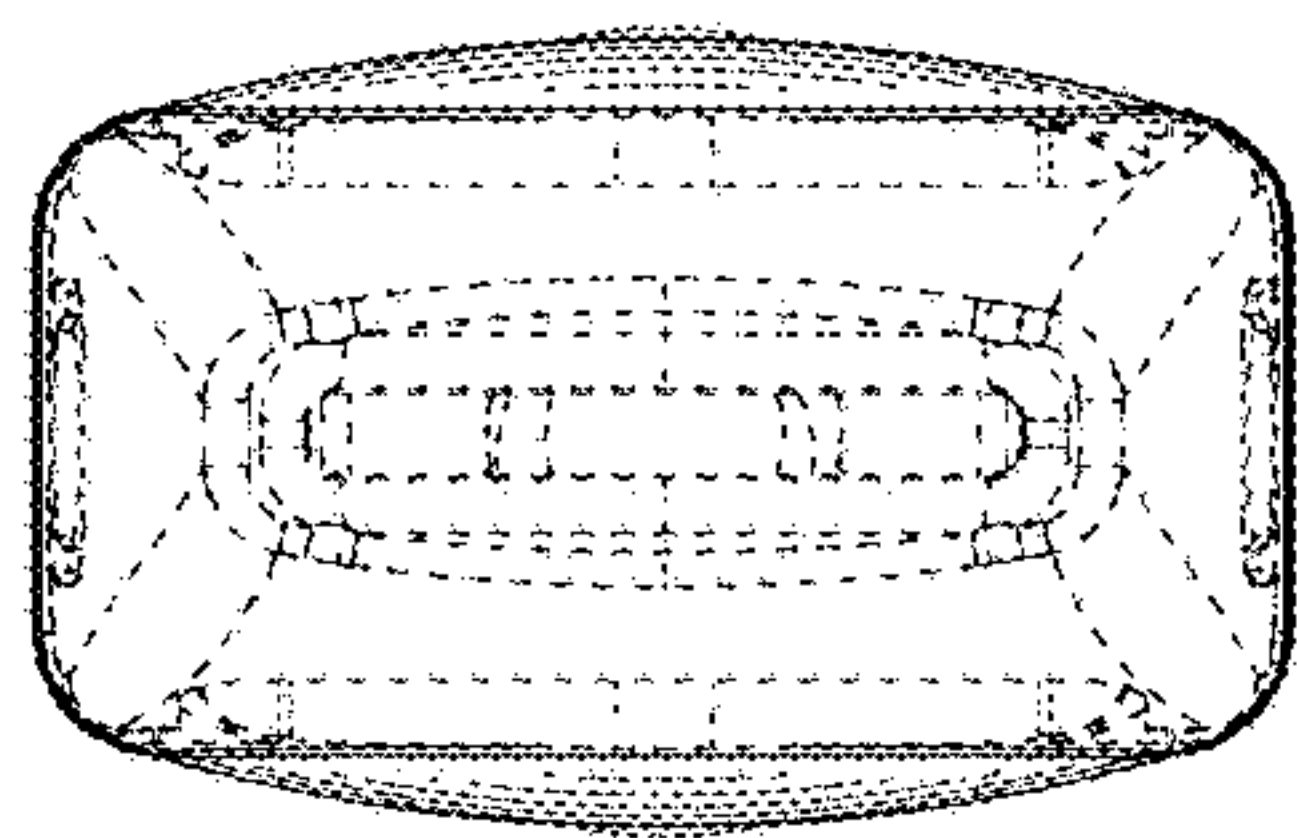


FIG. 2





**FIG. 3**



**FIG. 4**

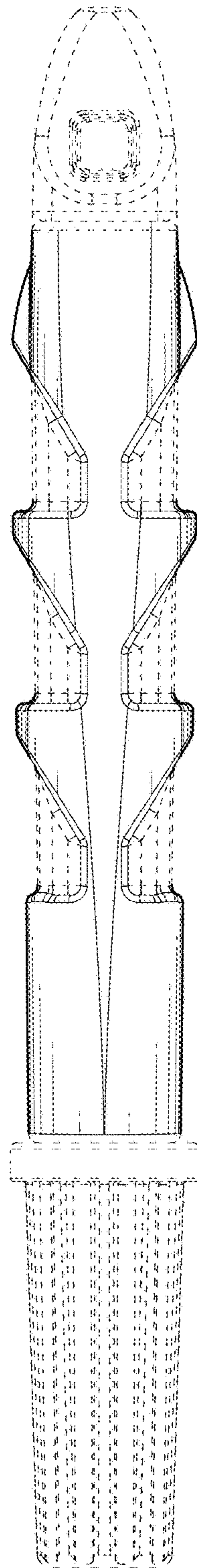


FIG. 5

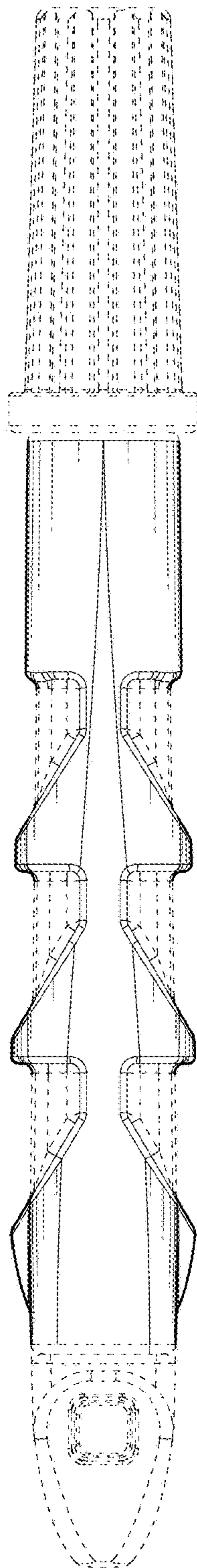


FIG. 6

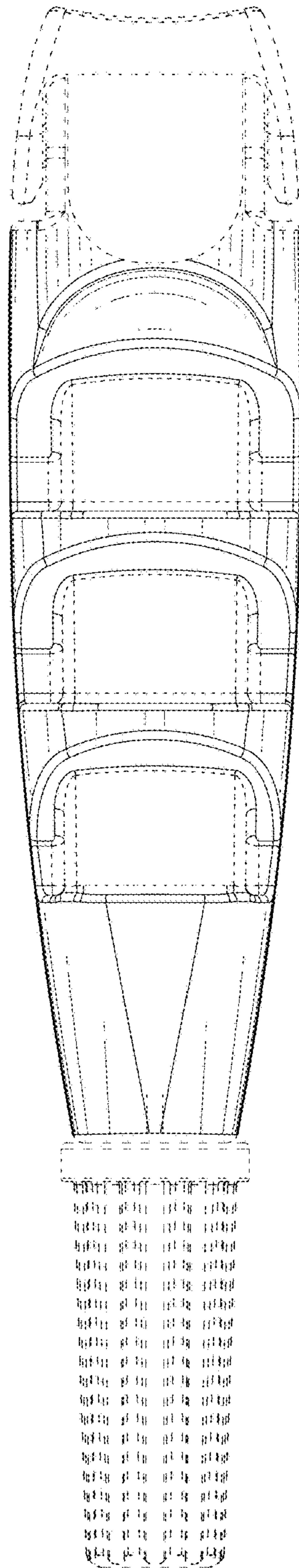


FIG. 7