



US00D861171S

(12) **United States Design Patent** (10) **Patent No.:** **US D861,171 S**  
**Christiansen** (45) **Date of Patent:** **\*\* Sep. 24, 2019**

(54) **HEARING AID FOR THE DEAF**  
 (71) Applicant: **GN HEARING A/S**, Ballerup (DK)  
 (72) Inventor: **Henrik Hetz Christiansen**,  
 Copenhagen (DK)  
 (\*\*) Term: **15 Years**  
 (21) Appl. No.: **35/505,590**

D705,936 S \* 5/2014 Lockenwitz ..... D24/174  
 D722,168 S \* 2/2015 Darkes ..... D24/174  
 D734,855 S \* 7/2015 Meinertz ..... D24/174  
 D735,339 S \* 7/2015 Meinertz ..... D24/174  
 D762,305 S \* 7/2016 Gabathuler ..... D24/174  
 D804,035 S \* 11/2017 Gabathuler ..... D24/174  
 D805,203 S \* 12/2017 Meinertz ..... D24/174  
 D806,251 S \* 12/2017 Lockenwitz ..... D24/174  
 D806,252 S \* 12/2017 Lockenwitz ..... D24/174  
 D844,146 S \* 3/2019 Beedham ..... D24/174

\* cited by examiner

(22) Filed: **Jul. 2, 2018**

*Primary Examiner* — George D. Kirschbaum  
*Assistant Examiner* — Samantha Q Lawrence

(80) **Hague Agreement Data**

Int. Filing Date: **Jul. 2, 2018**  
 Int. Reg. No.: **DM/102518**  
 Int. Reg. Date: **Jul. 2, 2018**  
 Int. Reg. Pub. Date: **Sep. 7, 2018**

(57) **CLAIM**

The ornamental design for a hearing aid for the deaf, as shown and described.

(51) **LOC (12) Cl.** ..... **24-99**

(52) **U.S. Cl.**  
USPC ..... **D24/174**

**DESCRIPTION**

(58) **Field of Classification Search**  
 USPC ..... D24/173, 174, 175; D14/205, 223, 224,  
 D14/225, 226, 249  
 CPC .. H04R 2225/025; H04R 25/60; H04R 25/63;  
 H04R 25/67; H04R 25/602; H04R  
 25/604; H04R 25/608; H04R 25/65;  
 H04R 25/652  
 See application file for complete search history.

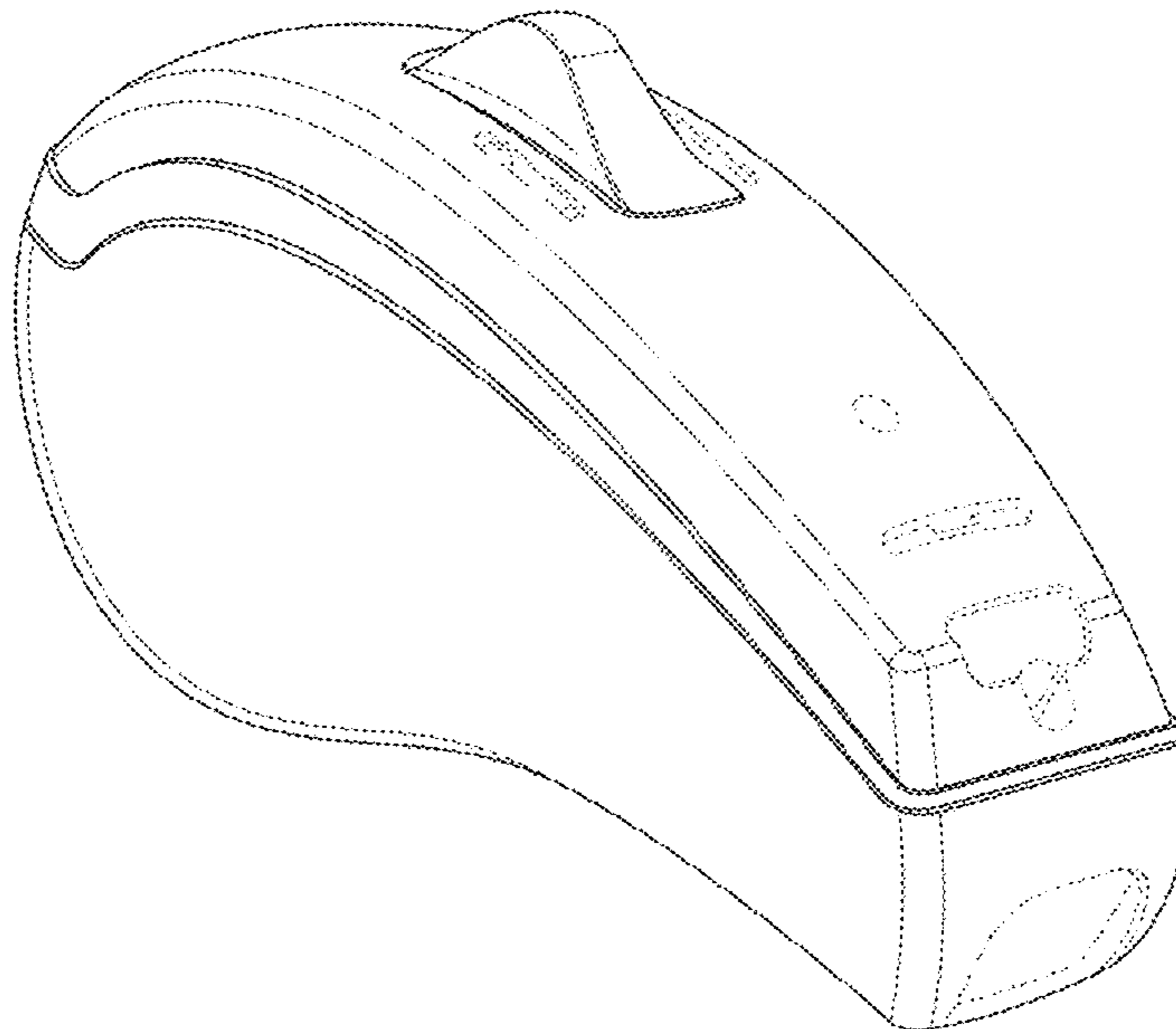
1. Hearing aid for the deaf  
 Figure 1.1 is a perspective view of a hearing aid for the deaf;  
 Figure 1.2 is a right view thereof;  
 Figure 1.3 is a left view thereof;  
 Figure 1.4 is a front view thereof;  
 Figure 1.5 is a back view thereof;  
 Figure 1.6 is a top view thereof; and,  
 Figure 1.7 is a bottom view thereof.  
 The broken lines shown in Figures 1.1-1.7 illustrate portions  
 of the hearing aid for the deaf which form no part of the  
 claimed design.

(56) **References Cited**

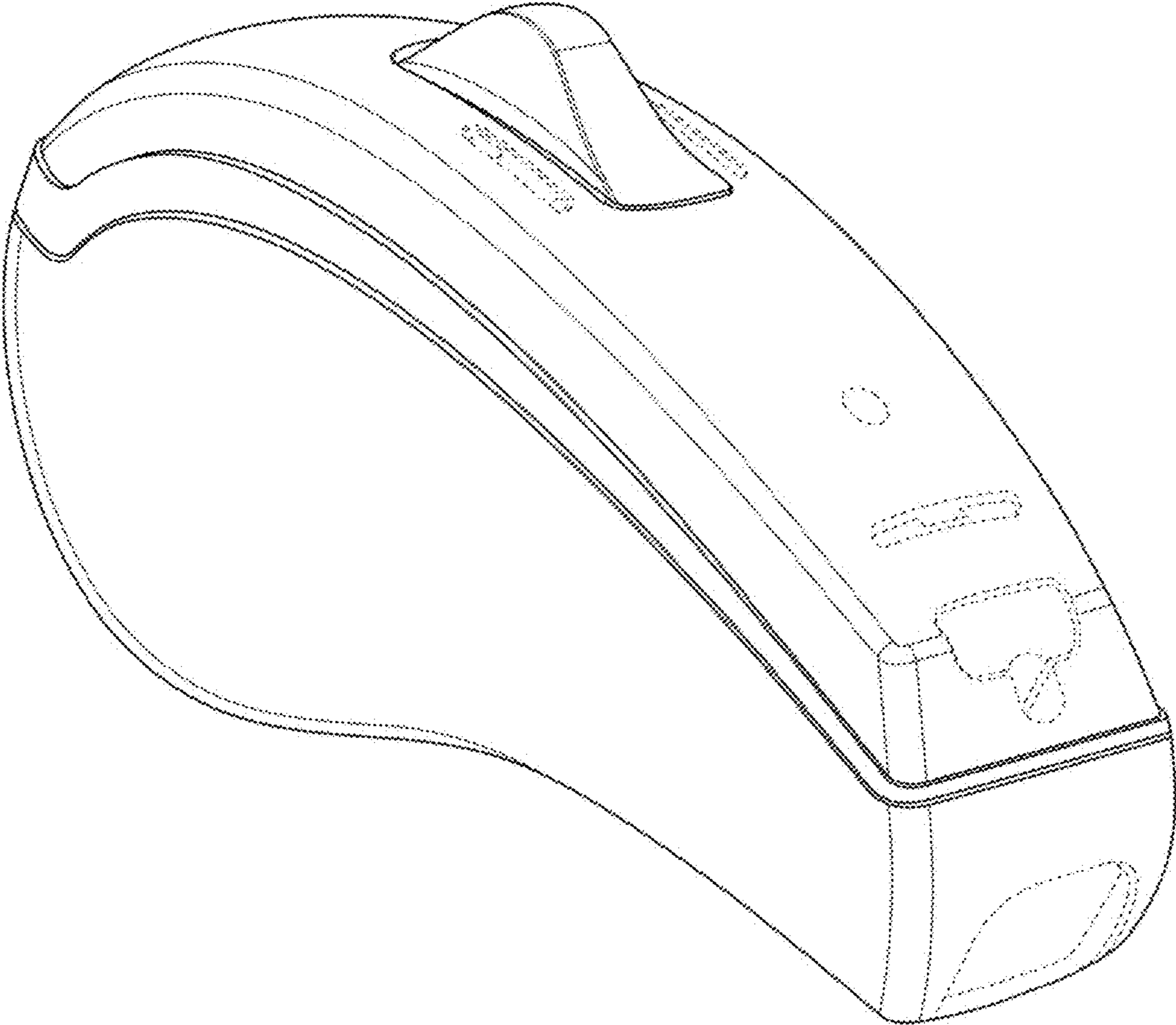
**U.S. PATENT DOCUMENTS**

D698,024 S \* 1/2014 Meinertz ..... D24/174  
 D701,604 S \* 3/2014 Dubs ..... D24/174

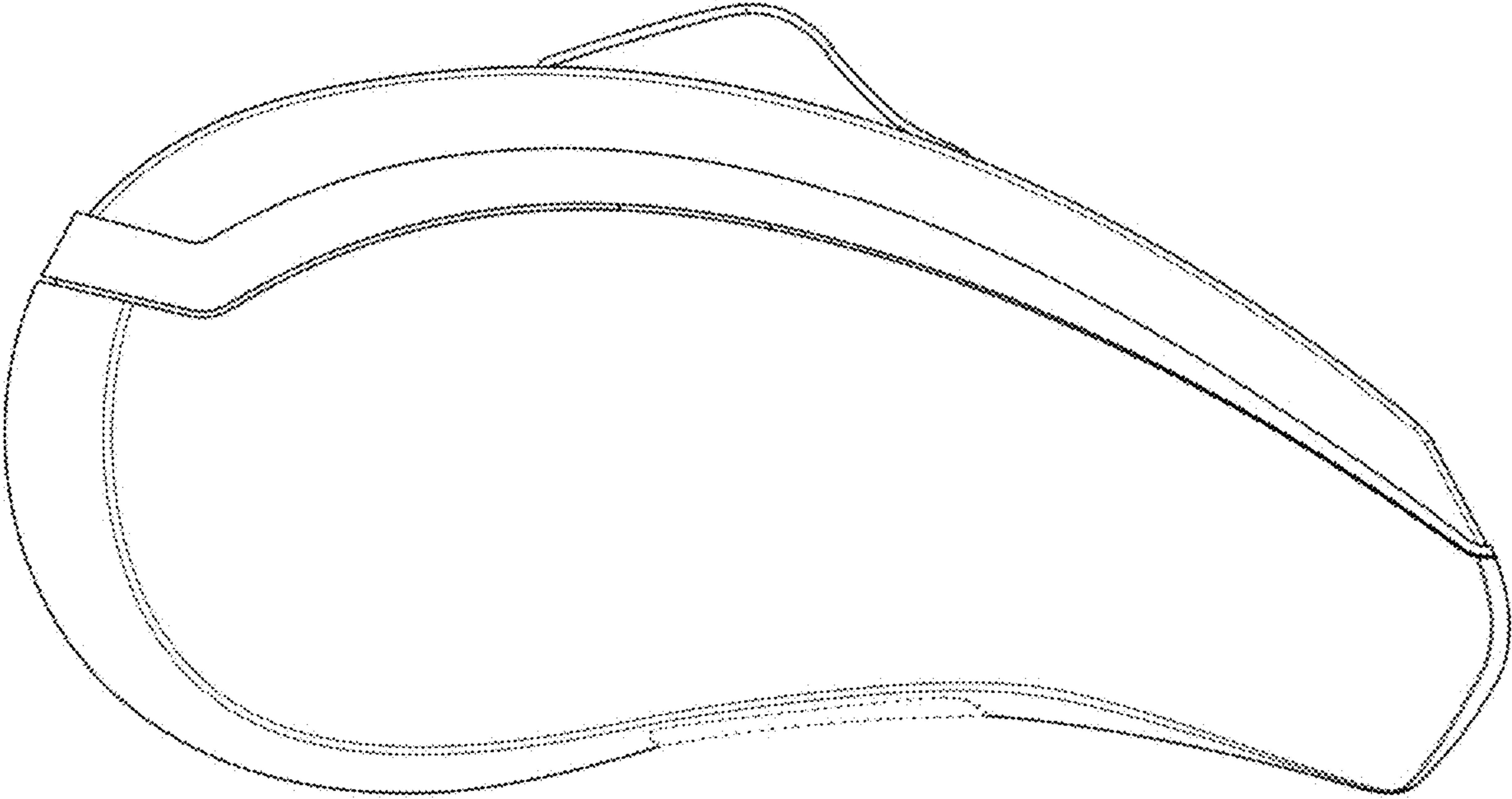
**1 Claim, 7 Drawing Sheets**



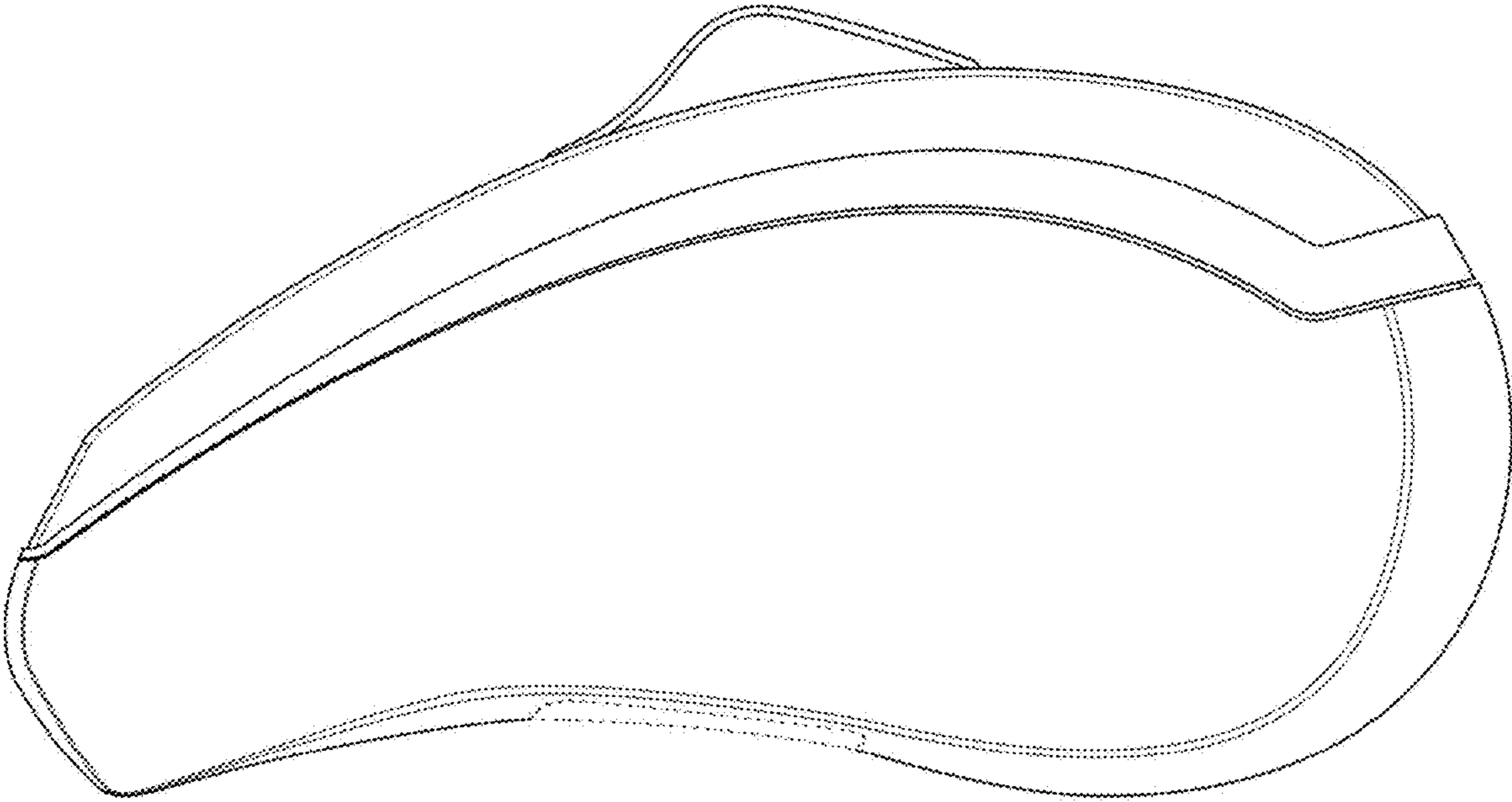
1.1



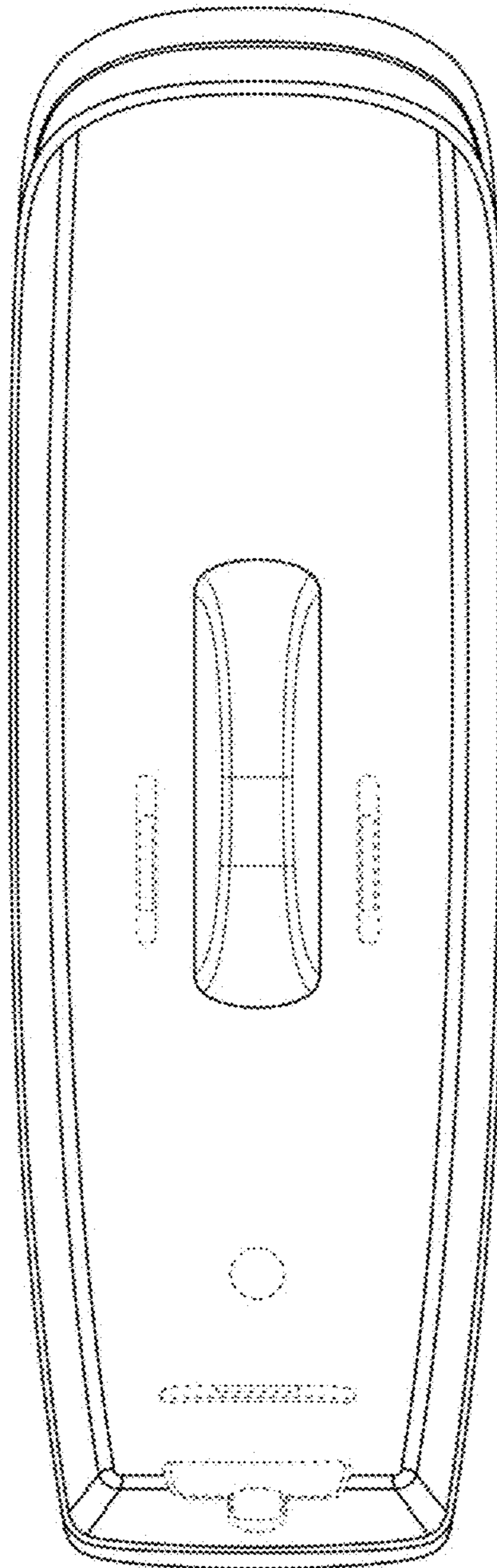
1.2



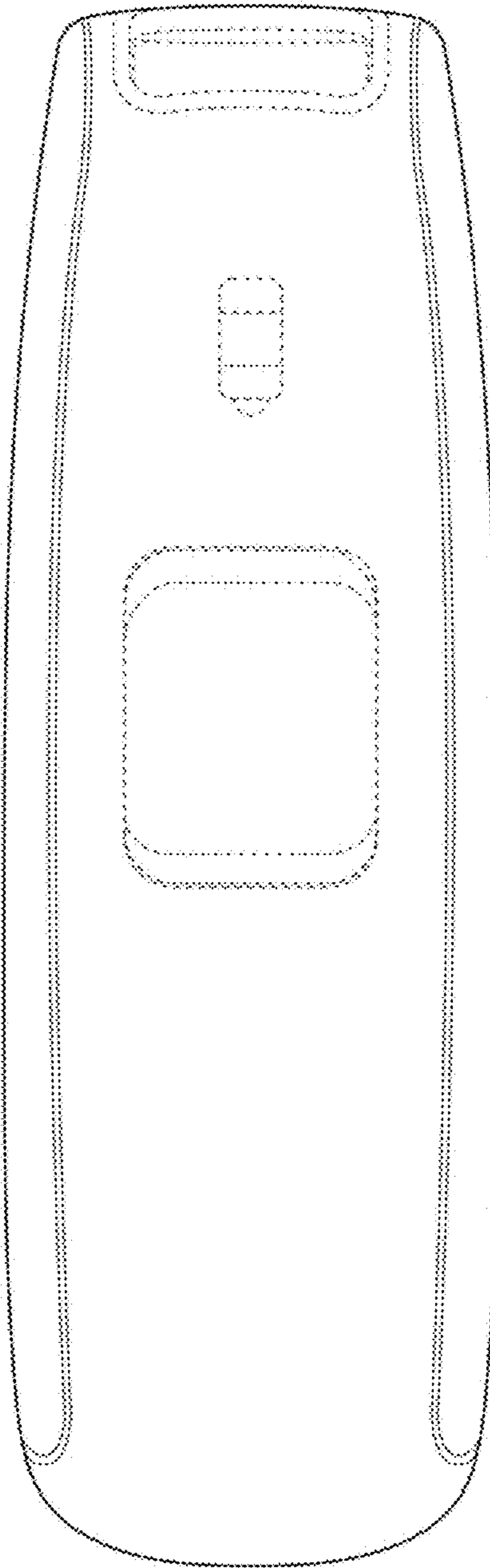
1.3



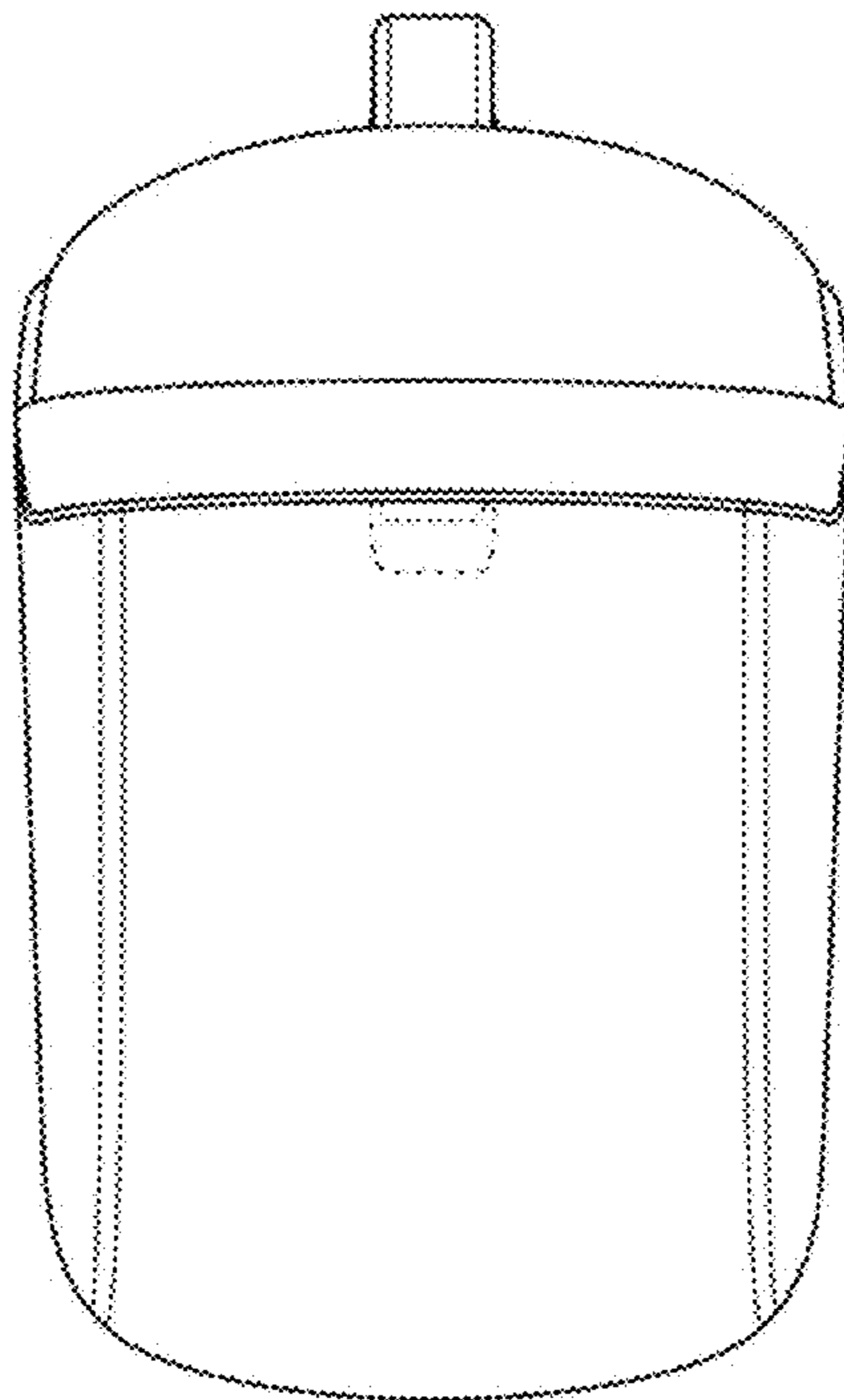
1.4



1.5



1.6



1.7

