



US00D861167S

(12) **United States Design Patent** (10) **Patent No.:** **US D861,167 S**
Emery et al. (45) **Date of Patent:** **** Sep. 24, 2019**

(54) **ULTRASOUND THERAPEUTIC TREATMENT CONSOLE**

(56) **References Cited**

U.S. PATENT DOCUMENTS

(71) Applicant: **Ulthera, Inc.**, Mesa, AZ (US)
(72) Inventors: **Charles D. Emery**, Gilbert, AZ (US); **Brian Lee Prout**, Gilbert, AZ (US); **Jessica A. Newhard**, Scottsdale, AZ (US); **Alexander Michael Diener**, Seattle, WA (US); **Spencer Michael Denton**, Seattle, WA (US); **Kristin Marie Will**, Seattle, WA (US); **Luke David Springer**, Seattle, WA (US); **Cameron Andrew Harder**, San Francisco, CA (US); **Byron A. Meseroll**, Woodinville, WA (US); **Daniel S. Davidson**, Mill Creek, WA (US); **Michael M. Itano**, Seattle, WA (US); **Andrew Nelson Wood**, Issaquah, WA (US)

D508,998	S	*	8/2005	Ryan	D24/200
D567,381	S	*	4/2008	Olivera	D24/185
D614,774	S	*	4/2010	Gausmann	D24/160
D712,539	S	*	9/2014	Hansen	D24/158
D724,737	S	*	3/2015	Kawamura	D24/158
D785,183	S	*	4/2017	Ogura	D24/158
D828,568	S	*	9/2018	Kohler	D24/186
2009/0069725	A1	*	3/2009	Diener	A61B 8/00601/2
2014/0257145	A1	*	9/2014	Emery	A61B 8/4209601/2

* cited by examiner

Primary Examiner — Anhdao Doan

(74) *Attorney, Agent, or Firm* — Knobbe Martens Olson & Bear LLP

(57) **CLAIM**

The ornamental design for an ultrasound therapeutic treatment console, as shown and described.

DESCRIPTION

FIG. 1 is a left front perspective view of an embodiment of an ultrasound therapeutic treatment console embodying the new design.

FIG. 2 is a right rear perspective view thereof.

FIG. 3 is a right view thereof.

FIG. 4 is a left view thereof.

FIG. 5 is a top view thereof.

FIG. 6 is a bottom view thereof.

FIG. 7 is a front view thereof; and,

FIG. 8 is a rear view thereof.

Broken lines are used to illustrate features of the ultrasound therapeutic treatment console which form no part of the claimed design.

(73) Assignee: **Ulthera, Inc.**, Mesa, AZ (US)

(**) Term: **15 Years**

(21) Appl. No.: **29/636,011**

(22) Filed: **Feb. 5, 2018**

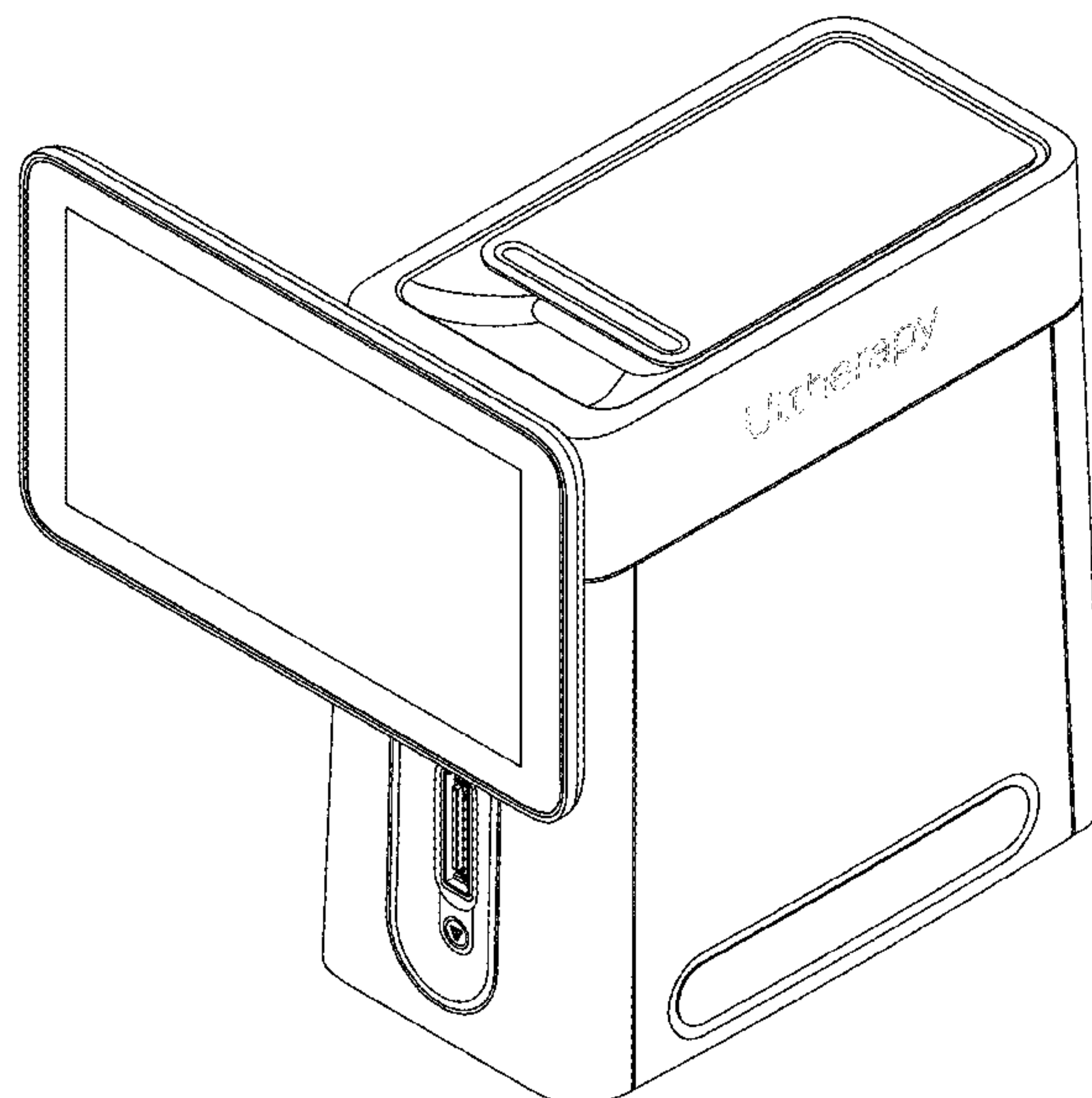
(51) **LOC (12) Cl.** **24-01**

(52) **U.S. Cl.**
USPC **D24/158**

(58) **Field of Classification Search**
USPC D24/107, 158-161, 185, 186, 187, 231, D24/144, 170, 200
CPC B60N 2/753; B60N 2/757; A47C 1/03; A61B 8/4411; A61B 8/4427; A61B 8/461; A61B 8/467

See application file for complete search history.

1 Claim, 8 Drawing Sheets



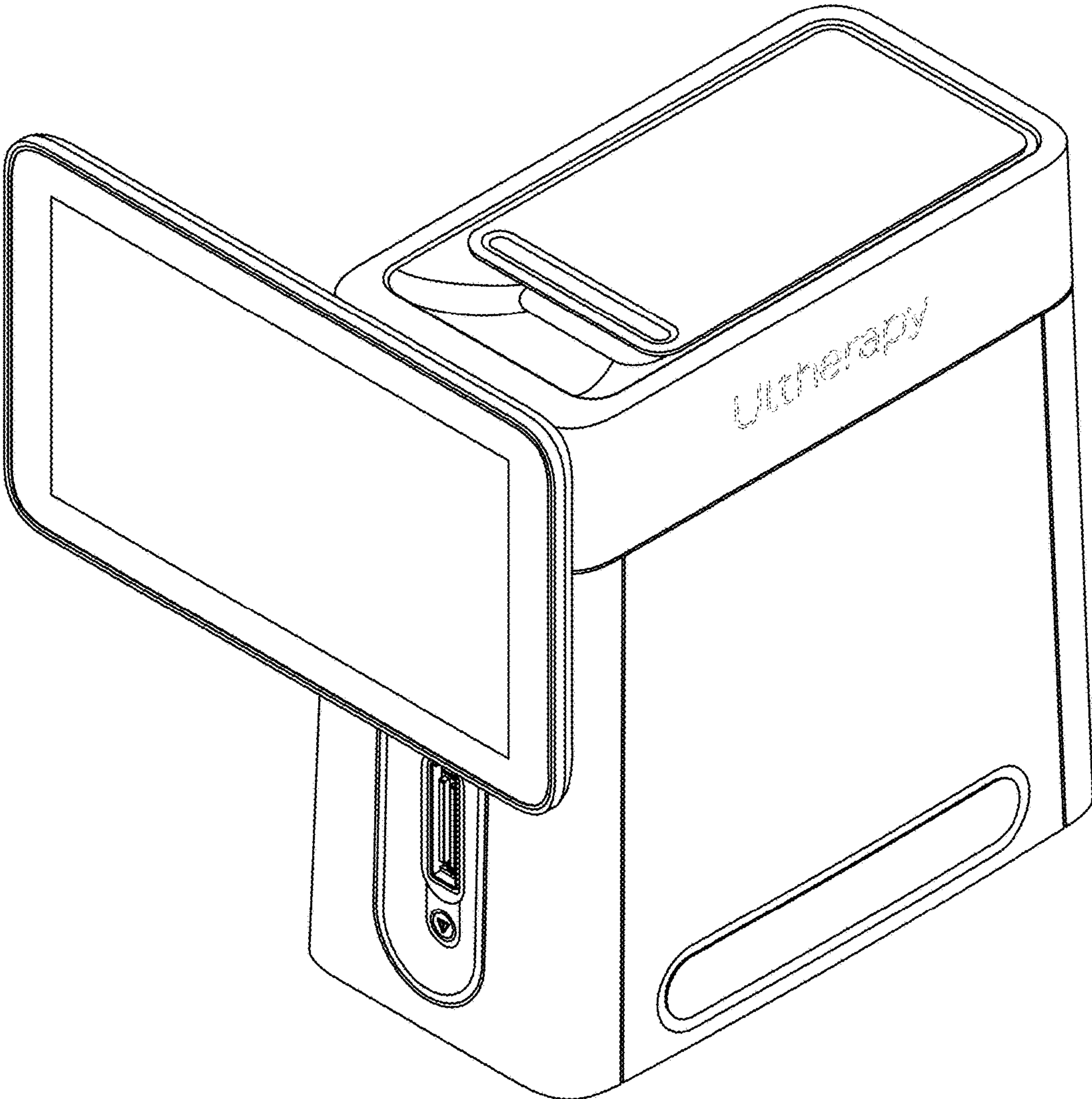


FIG. 1

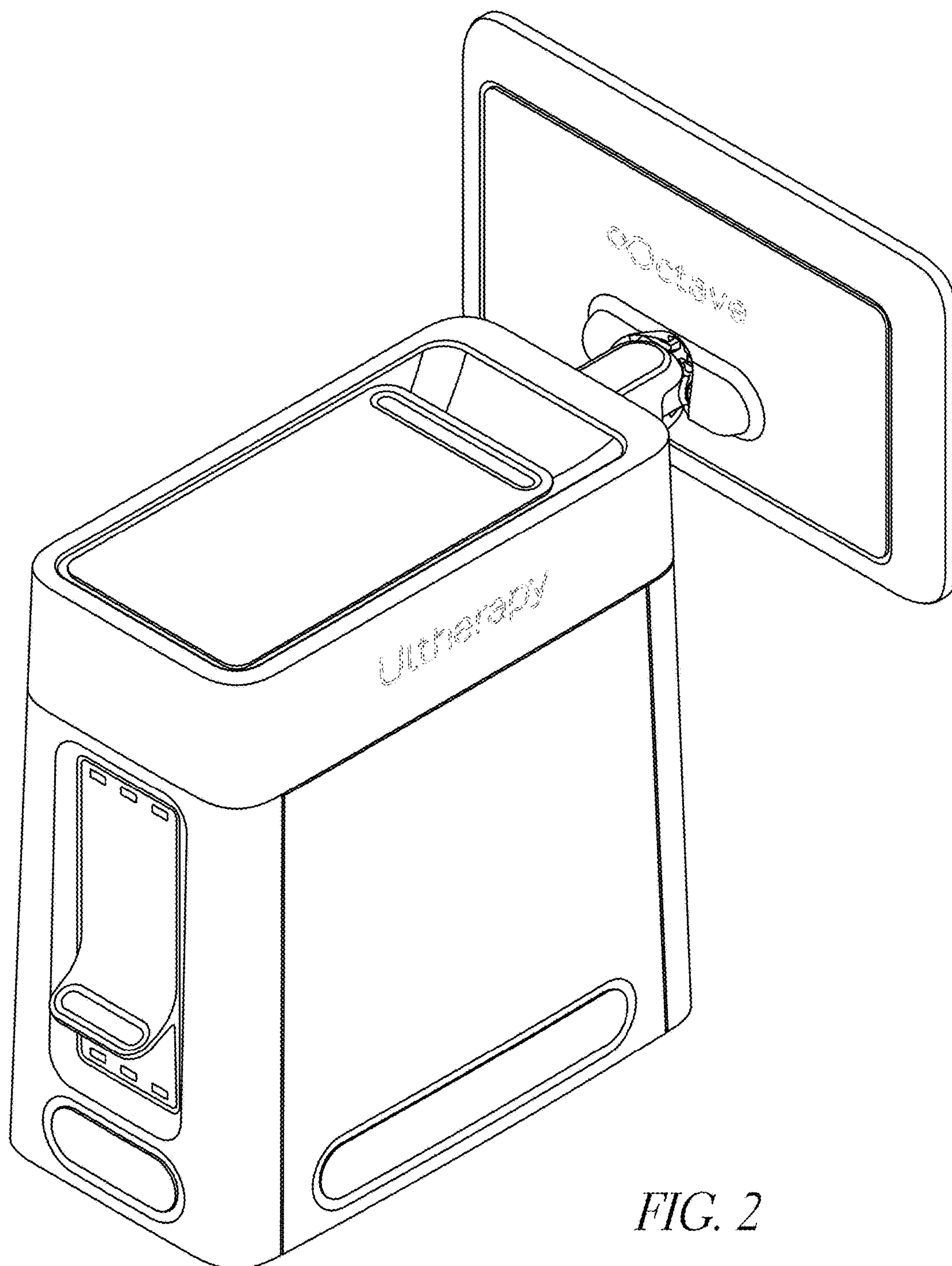


FIG. 2

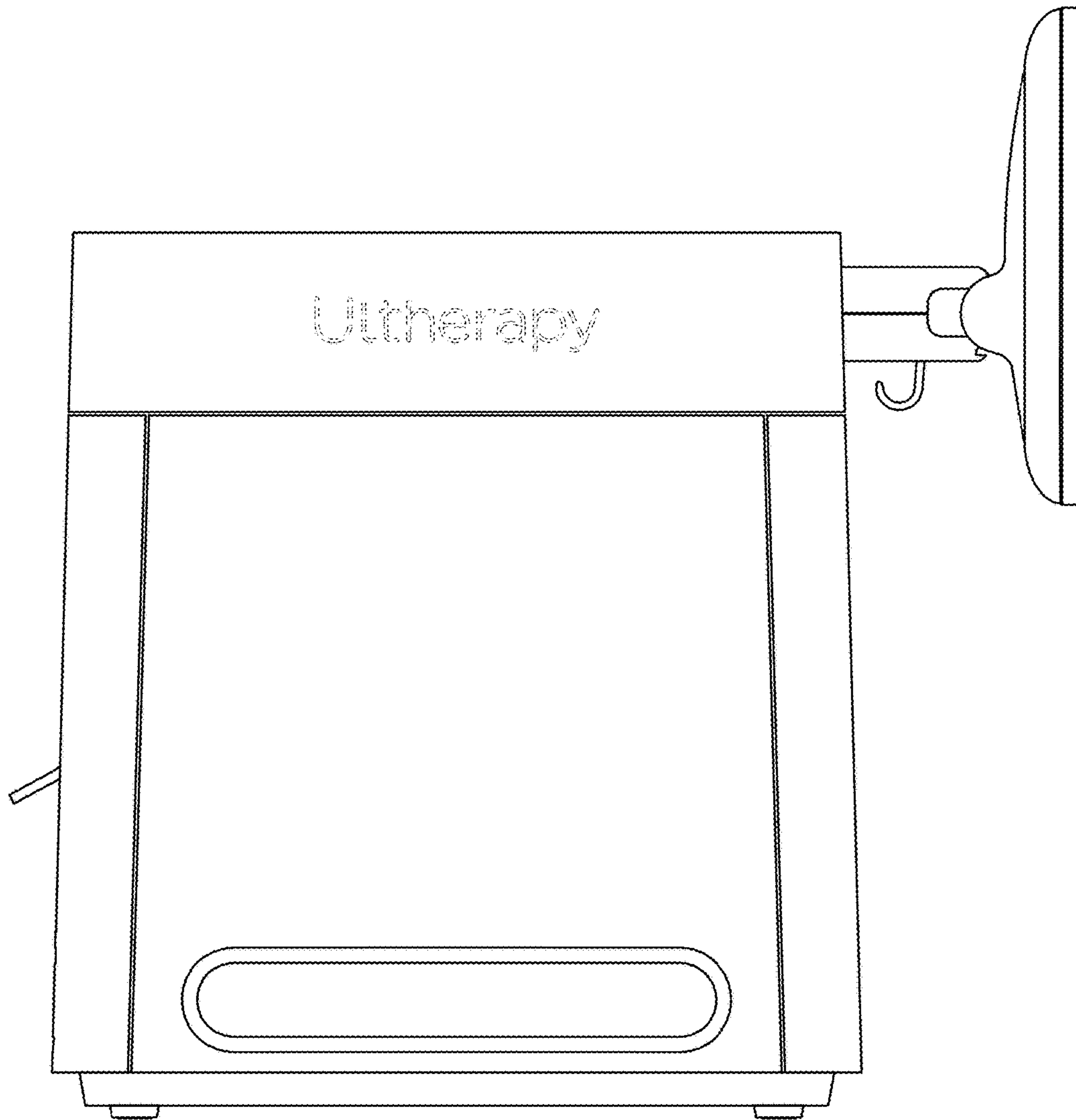


FIG. 3

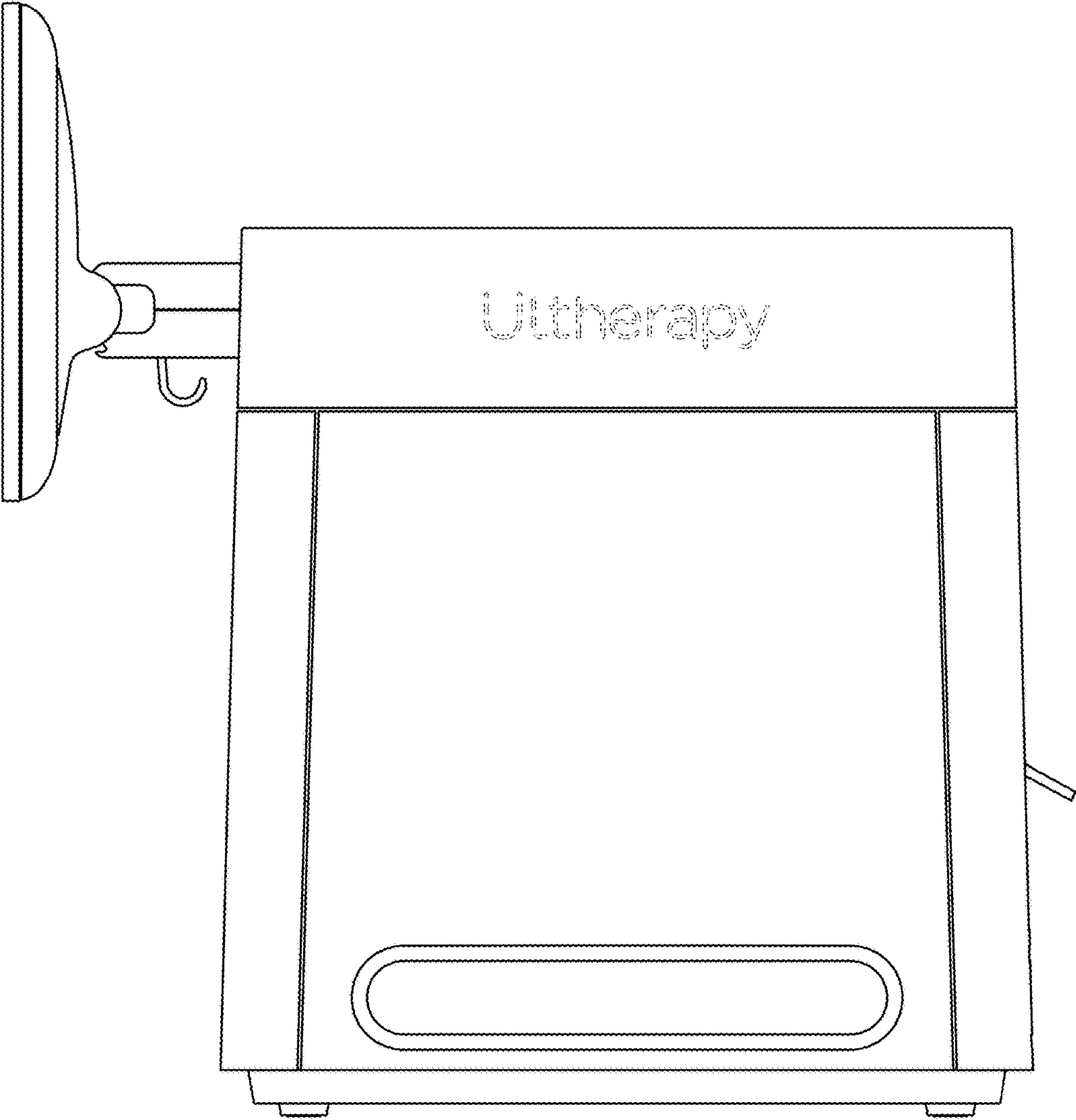


FIG. 4

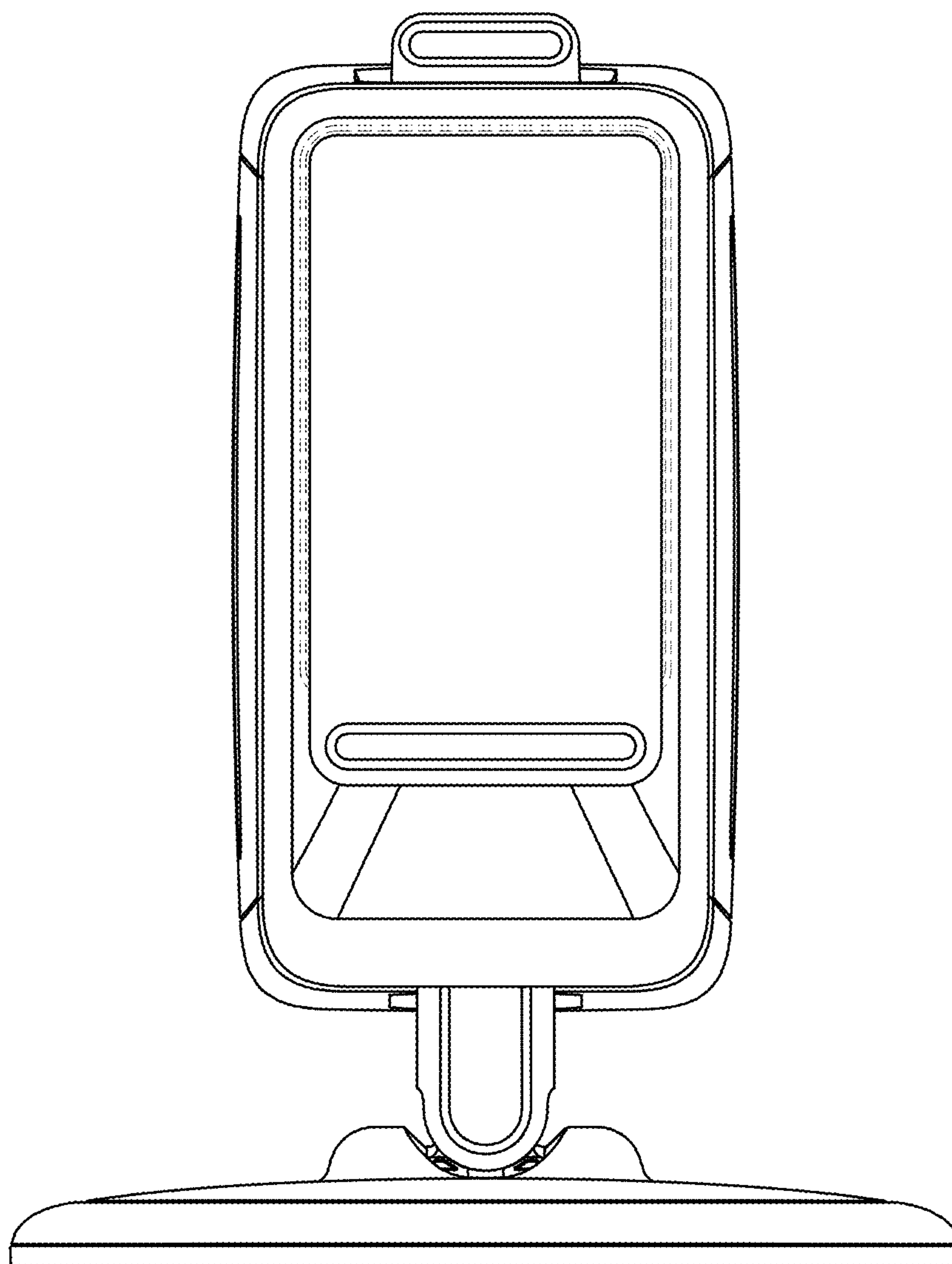


FIG. 5

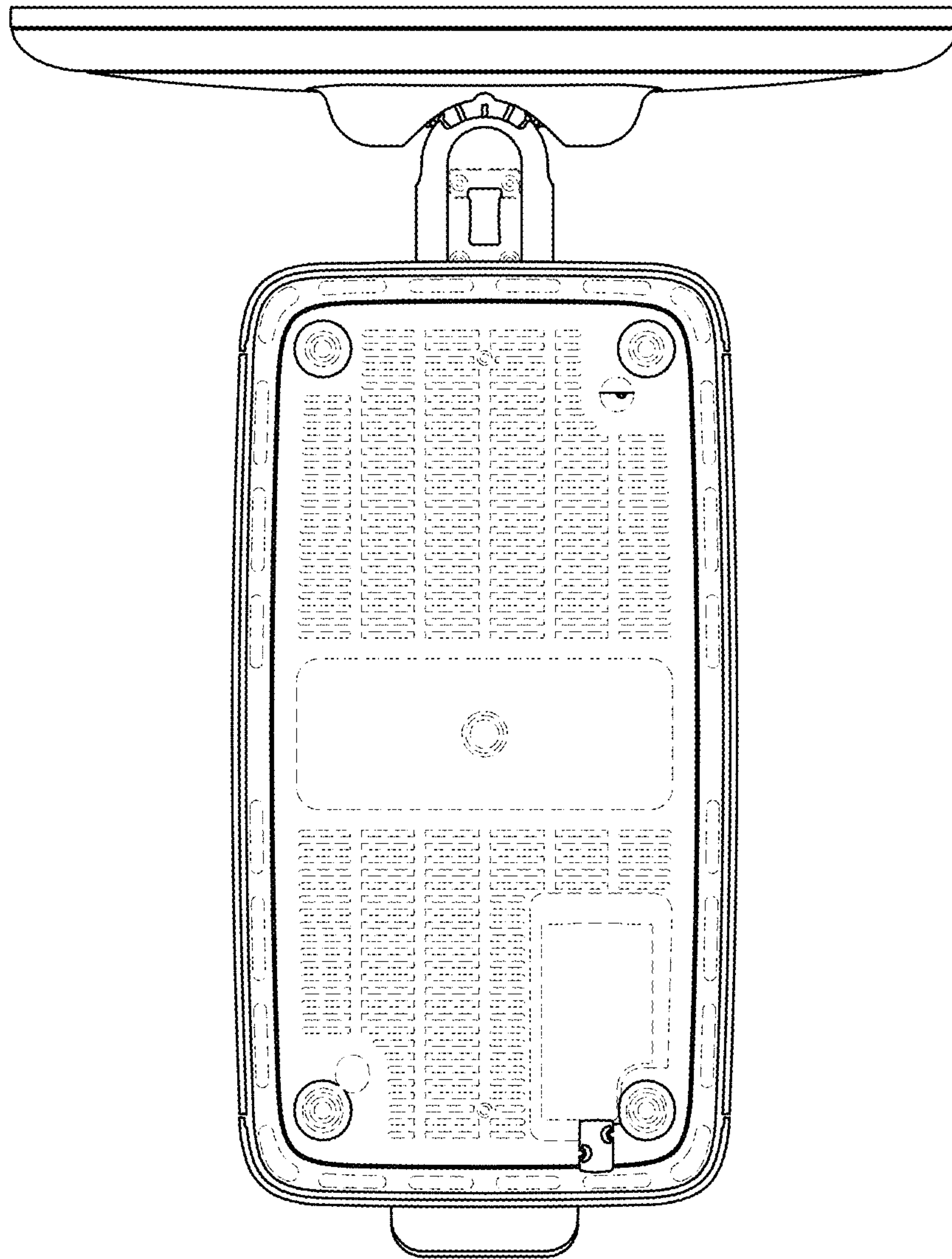


FIG. 6

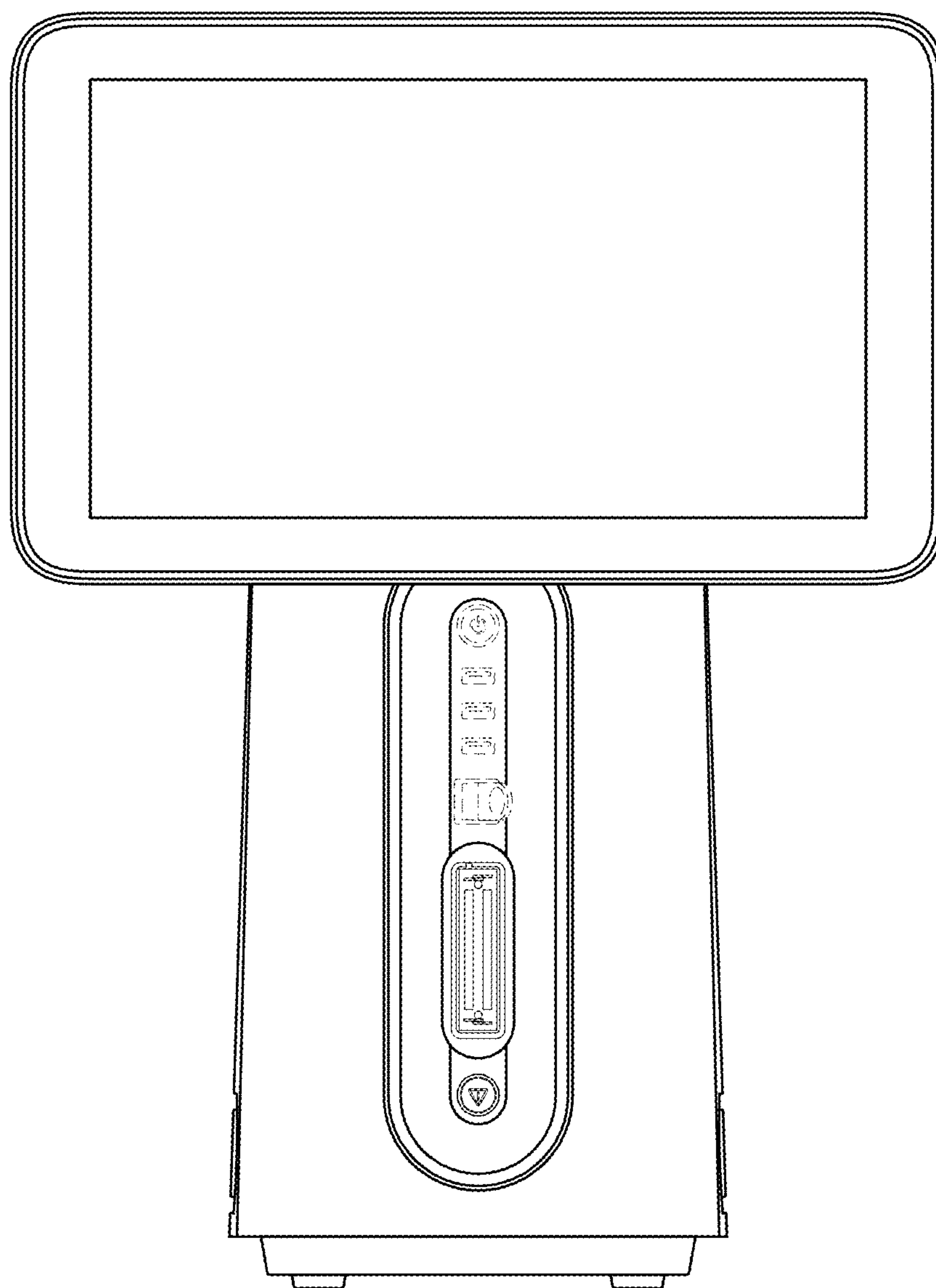


FIG. 7

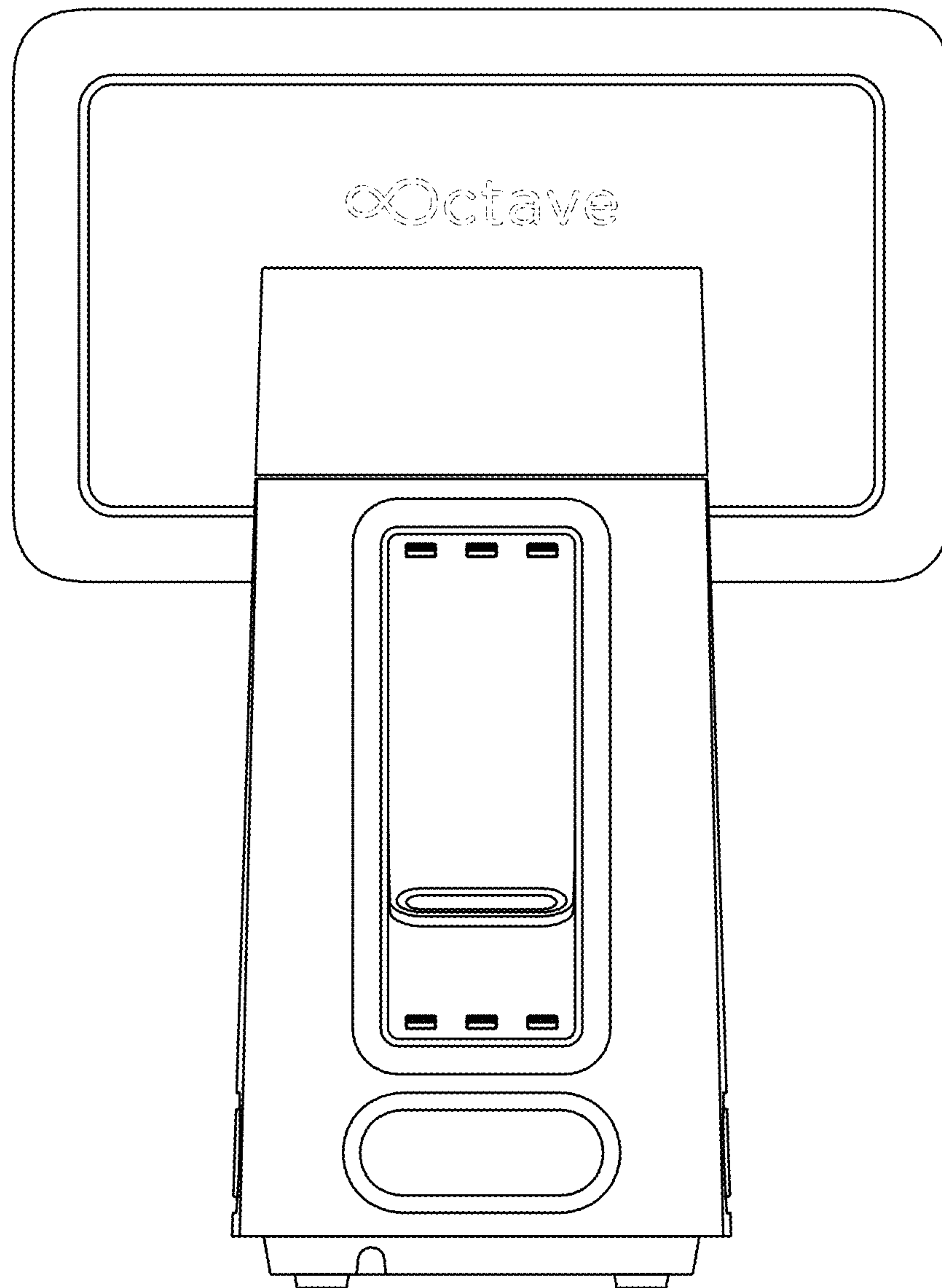


FIG. 8