



US00D861165S

(12) **United States Design Patent** (10) **Patent No.:** **US D861,165 S**
Pyun et al. (45) **Date of Patent:** **** Sep. 24, 2019**

(54) **TIP FOR LASER HANDPIECE**
(71) Applicant: **Speclipse, Inc.**, Seoul (KR)
(72) Inventors: **Sung Hyun Pyun**, Seoul (KR); **Wanki Min**, Gyeonggi-do (KR); **Jin Woo Lee**, Seoul (KR)

(73) Assignee: **SPECLIPSE, INC.**, Seoul (KR)

(**) Term: **15 Years**

(21) Appl. No.: **29/611,431**

(22) Filed: **Jul. 21, 2017**

(30) **Foreign Application Priority Data**

Jun. 21, 2017 (KR) 30-2017-0028574

(51) **LOC (12) Cl.** **24-02**

(52) **U.S. Cl.**
USPC **D24/144**

(58) **Field of Classification Search**
USPC D24/144, 133, 107, 127-128, 209-210, D24/176; 600/108; 606/13, 27-28, 131
CPC A61B 2018/1807; A61B 2018/202
See application file for complete search history.

(56) **References Cited**

U.S. PATENT DOCUMENTS

4,633,870 A * 1/1987 Sauer A61B 18/22
219/121.63
5,125,923 A * 6/1992 Tanner A61B 18/201
607/89
D372,086 S * 7/1996 Grasso 606/28
D426,883 S * 6/2000 Berman D24/144

6,193,712 B1 * 2/2001 Asami A61B 18/22
604/35
D724,726 S * 3/2015 Prokop D24/133
D781,419 S * 3/2017 Bojanowski D24/144
2014/0343574 A1 * 11/2014 Ignon A61B 17/545
606/131
2017/0325886 A1 * 11/2017 Graham A61B 18/18
2019/0029520 A1 * 1/2019 Pyun A61B 5/441

* cited by examiner

Primary Examiner — Wan Laymon

(74) *Attorney, Agent, or Firm* — Harness, Dickey & Pierce, P.L.C.

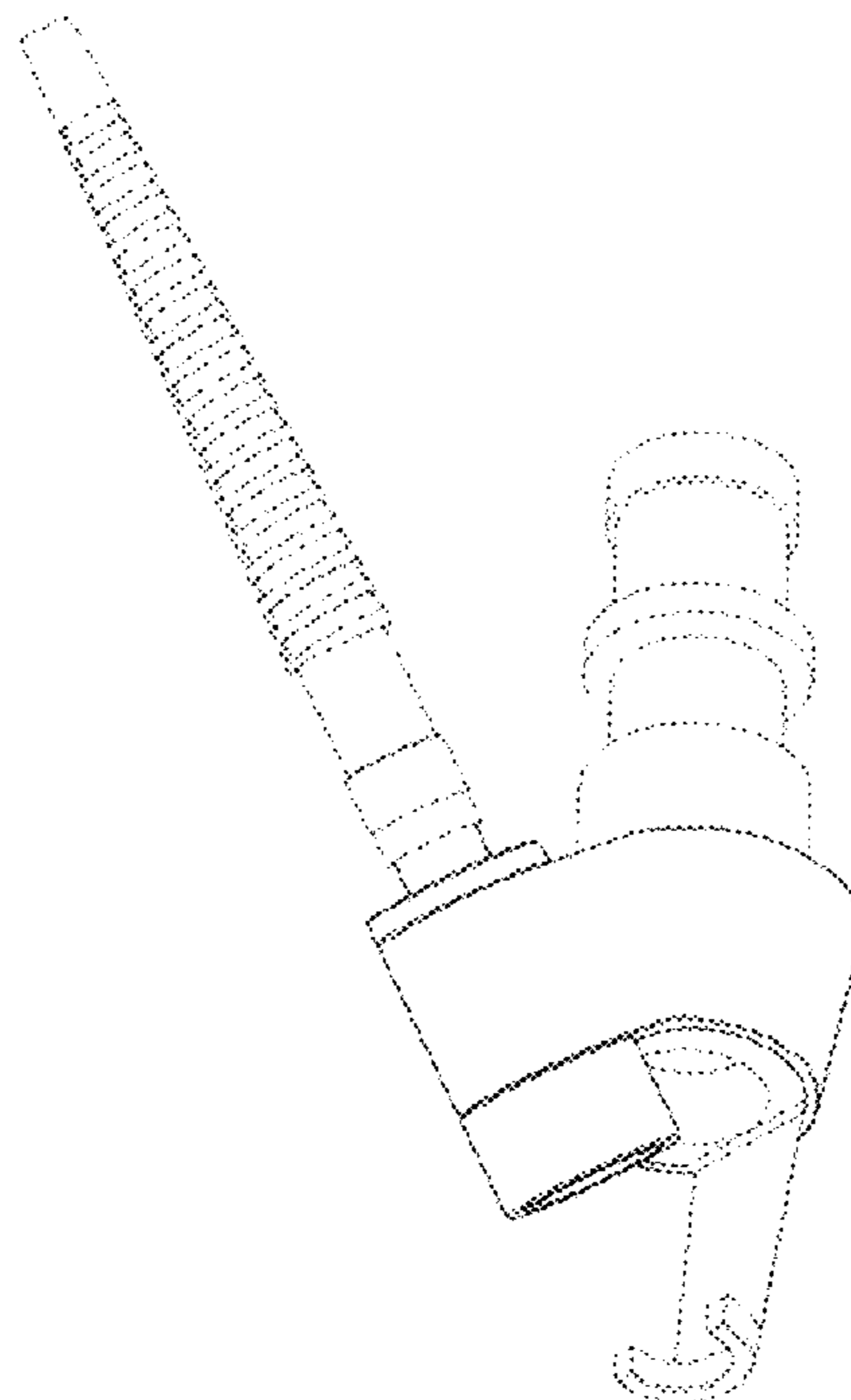
(57) **CLAIM**

The ornamental design for a tip for laser handpiece, as shown and described.

DESCRIPTION

FIG. 1 is a perspective view of the tip for laser handpiece; FIG. 2 is a front view of the tip for laser handpiece shown in FIG. 1; FIG. 3 is a rear view of the tip for laser handpiece shown in FIG. 1; FIG. 4 is a left view of the tip for laser handpiece shown in FIG. 1; FIG. 5 is a right view of the tip for laser handpiece shown in FIG. 1; FIG. 6 is a top view of the tip for laser handpiece shown in FIG. 1; and, FIG. 7 is a bottom view of the tip for laser handpiece shown in FIG. 1. In the drawings, the broken lines depict environmental subject matter only and form no part of the claimed design.

1 Claim, 7 Drawing Sheets



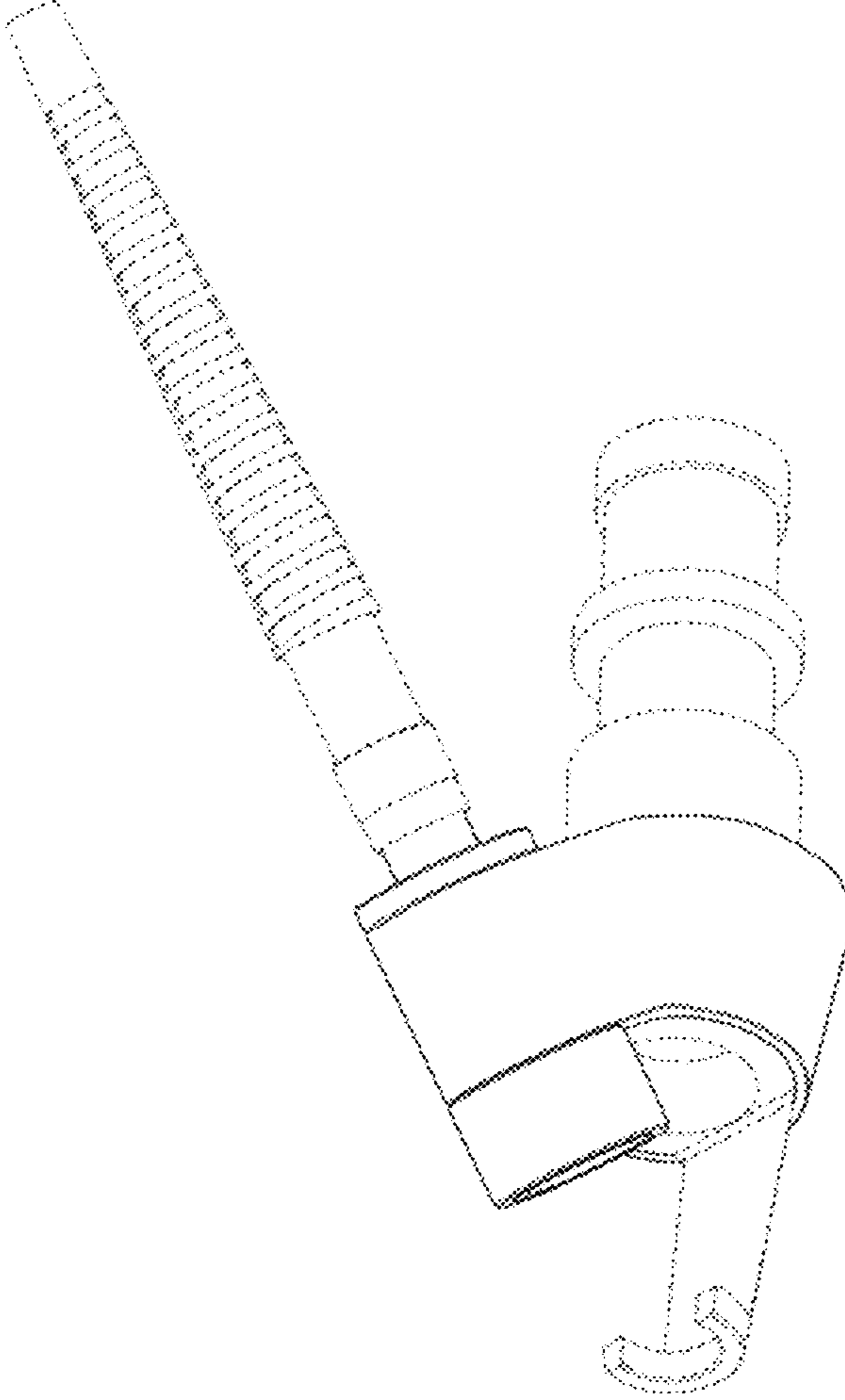


FIG. 1

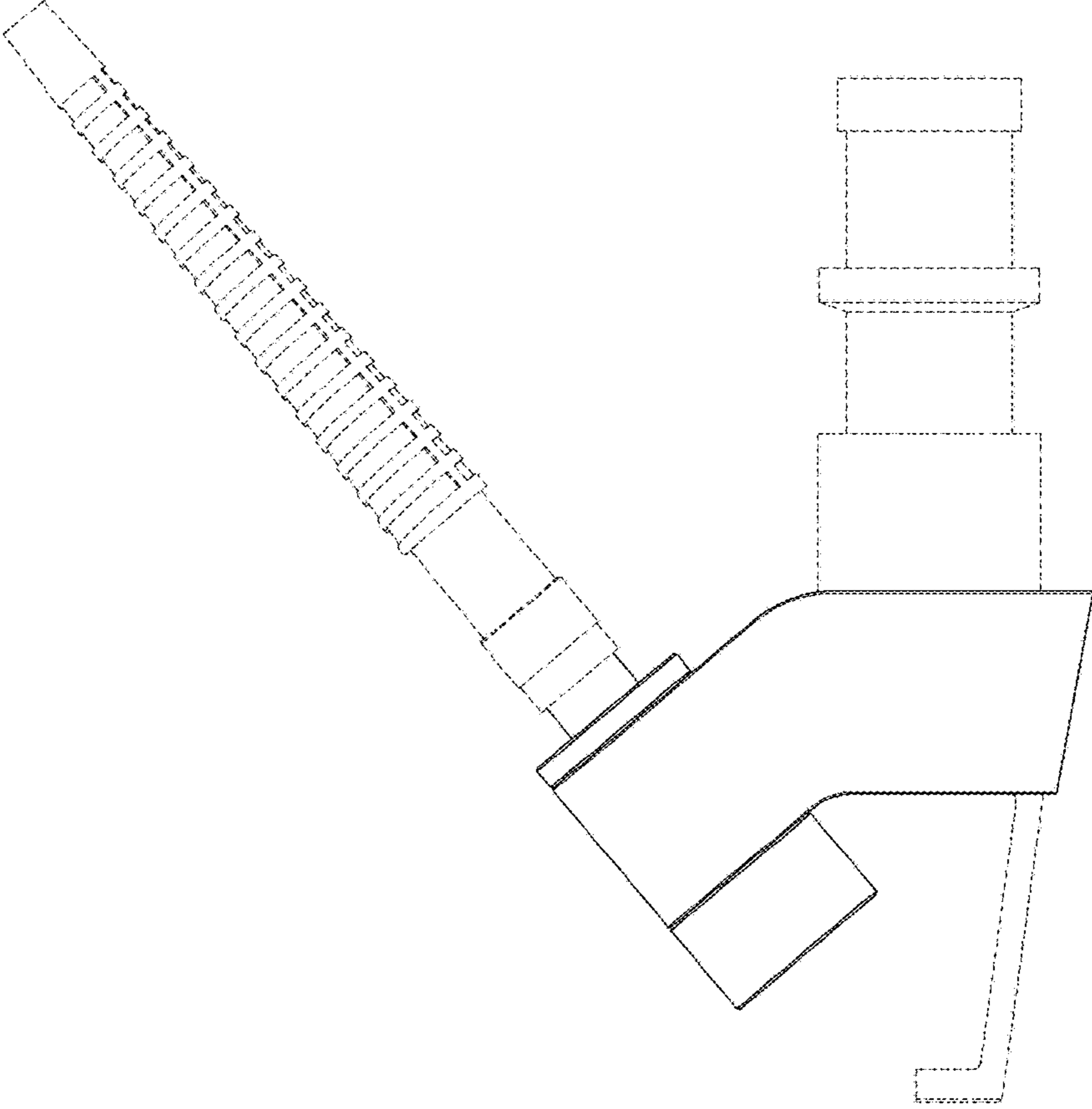


FIG. 2

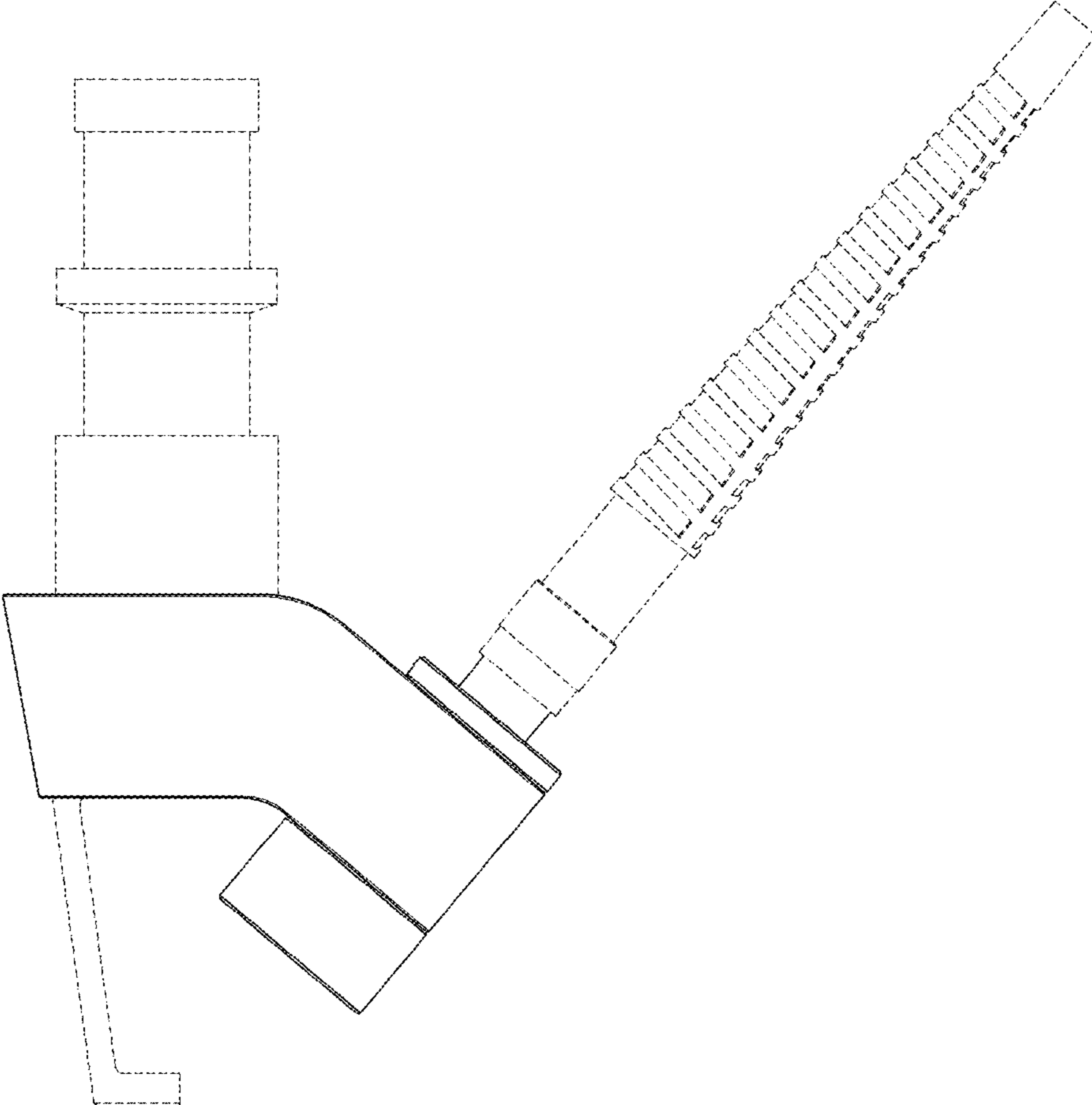


FIG. 3

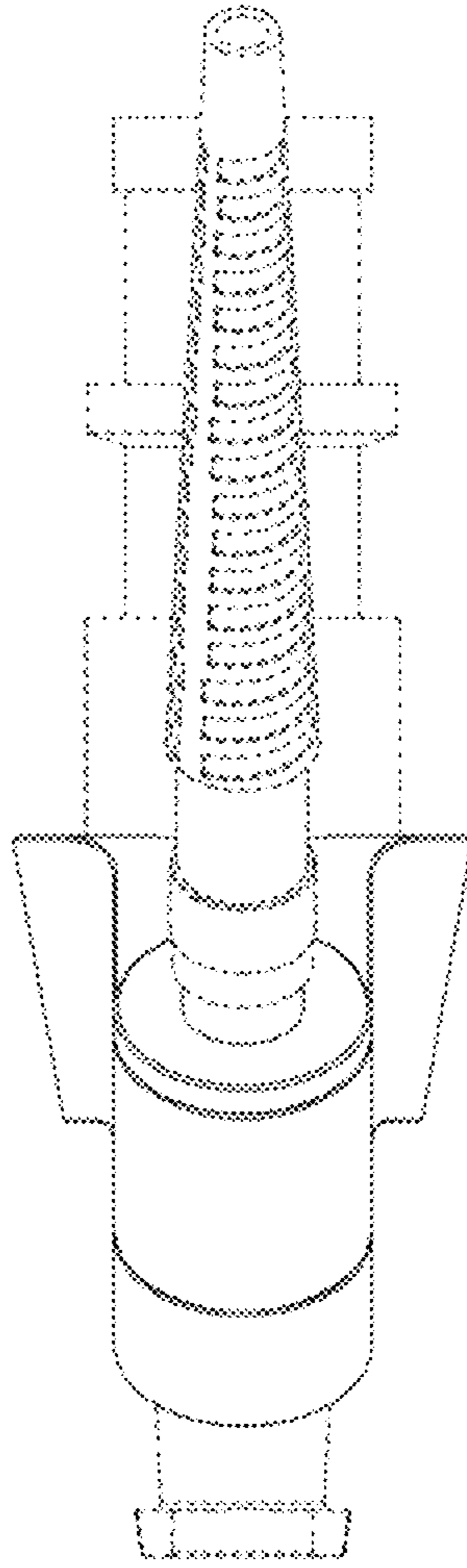


FIG. 4

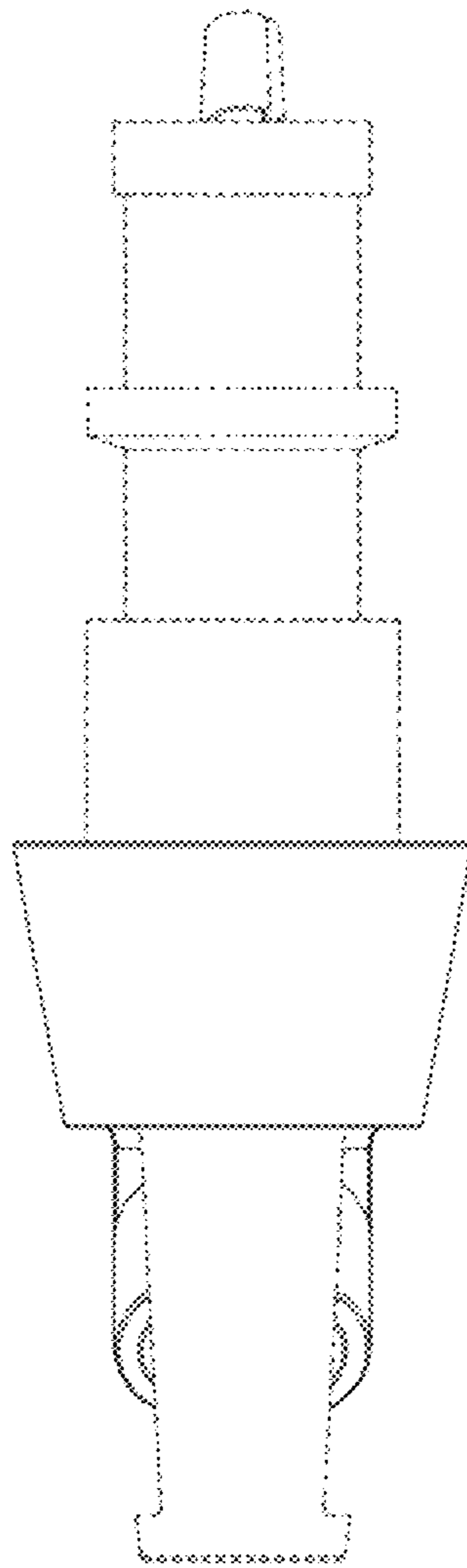


FIG. 5

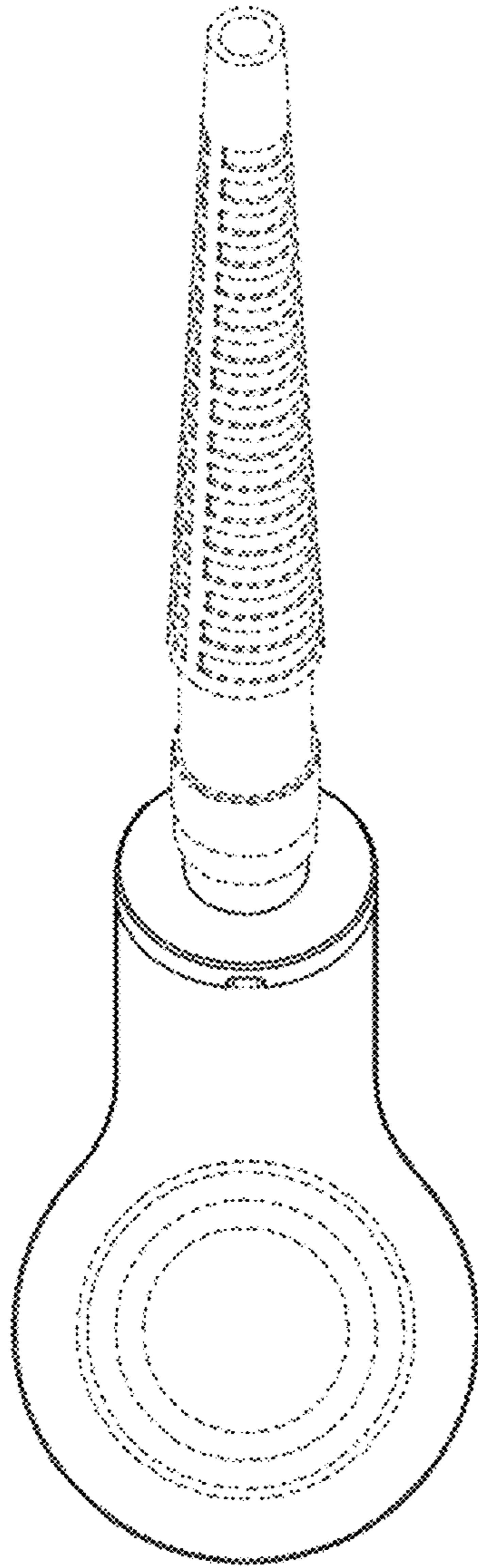


FIG. 6

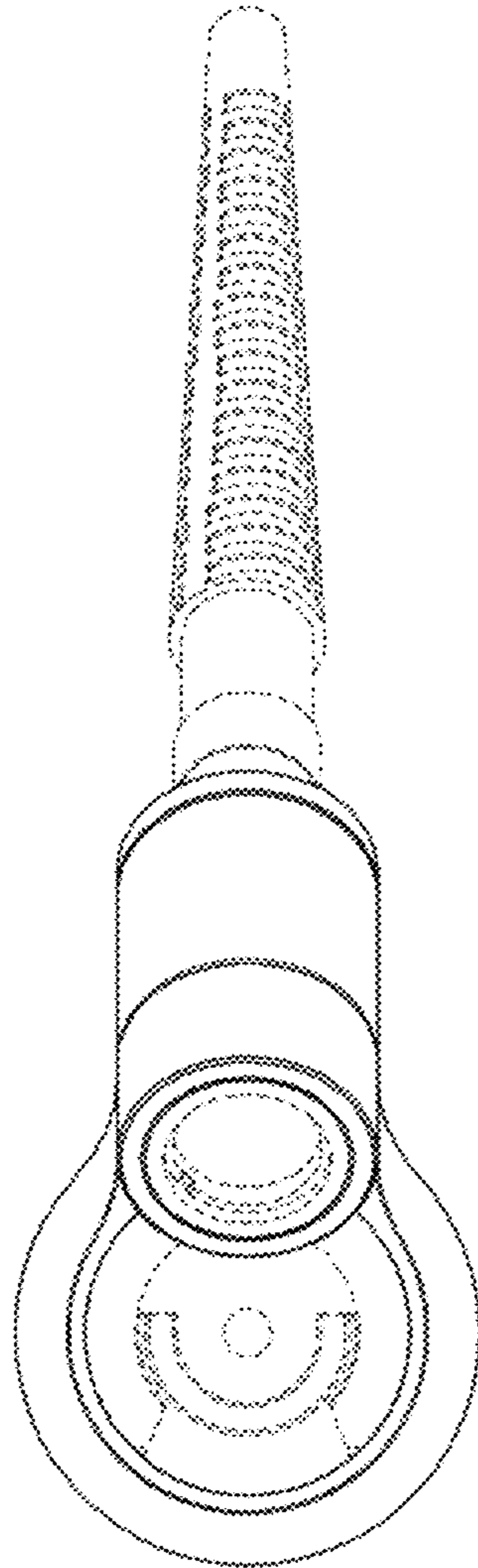


FIG. 7