



US00D861164S

(12) **United States Design Patent** (10) **Patent No.:** **US D861,164 S**
Pyun et al. (45) **Date of Patent:** **** Sep. 24, 2019**

(54) **TIP FOR LASER HANDPIECE**
(71) Applicant: **Speclipse, Inc.**, Seoul (KR)
(72) Inventors: **Sung Hyun Pyun**, Seoul (KR); **Wanki Min**, Gyeonggi-do (KR); **Jin Woo Lee**, Seoul (KR)

D372,086 S * 7/1996 Grasso 606/28
D426,883 S * 6/2000 Berman D24/144
6,193,712 B1 * 2/2001 Asami A61B 18/22
604/35
D724,726 S * 3/2015 Prokop D24/133
D781,419 S * 3/2017 Bojanowski D24/144
2014/0343574 A1 * 11/2014 Ignon A61B 17/545
606/131
2017/0325886 A1 * 11/2017 Graham A61B 18/18

(73) Assignee: **Speclipse, Inc.**, Seoul (KR)

* cited by examiner

(**) Term: **15 Years**

Primary Examiner — Wan Laymon

(21) Appl. No.: **29/611,429**

(74) Attorney, Agent, or Firm — Harness, Dickey & Pierce, PLC

(22) Filed: **Jul. 21, 2017**

(30) **Foreign Application Priority Data**

Jun. 21, 2017 (KR) 30-2017-0028572

(51) **LOC (12) Cl.** **24-02**

(52) **U.S. Cl.**
USPC **D24/144**

(58) **Field of Classification Search**
USPC D24/144, 133, 107, 127–128, 209–210, D24/176; 600/108; 606/13, 27–28, 131; 607/88–89
CPC A61B 18/18; A61B 18/20; A61B 18/203; A61B 18/22; A61B 2018/00452; A61B 2018/0047; A61B 2018/1807; A61B 2018/202

See application file for complete search history.

(56) **References Cited**

U.S. PATENT DOCUMENTS

4,633,870 A * 1/1987 Sauer A61B 18/22
219/121.63
5,125,923 A * 6/1992 Tanner A61B 18/201
607/89

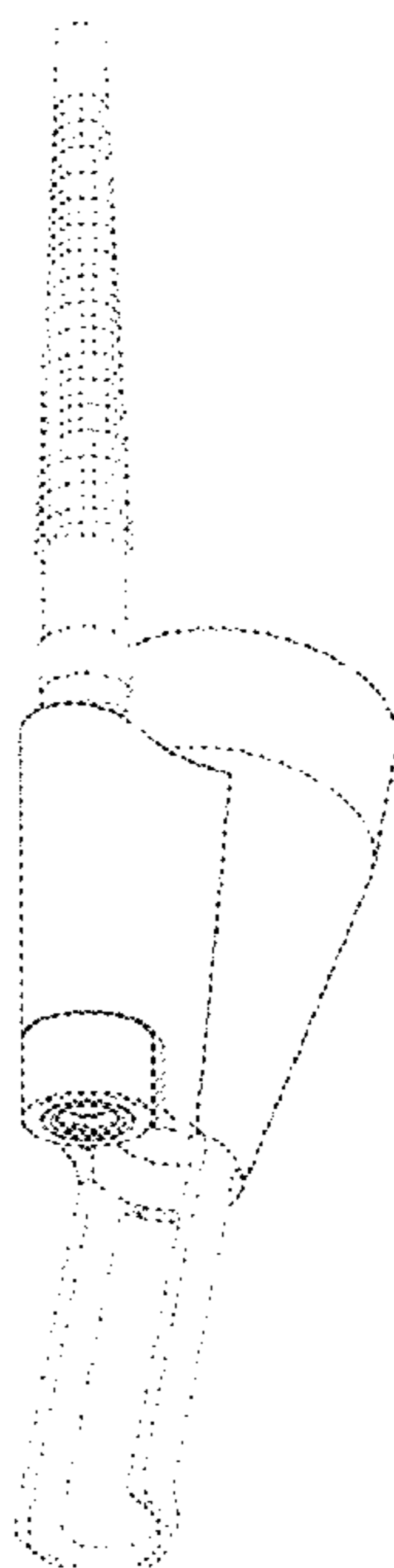
(57) **CLAIM**

The ornamental design for a tip for laser handpiece, as shown and described.

DESCRIPTION

FIG. 1 is a perspective view of the tip for laser handpiece; FIG. 2 is a front view of the tip for laser handpiece shown in FIG. 1; FIG. 3 is a rear view of the tip for laser handpiece shown in FIG. 1; FIG. 4 is a left view of the tip for laser handpiece shown in FIG. 1; FIG. 5 is a right view of the tip for laser handpiece shown in FIG. 1; FIG. 6 is an enlarged top view of the tip for laser handpiece shown in FIG. 1; and, FIG. 7 is an enlarged bottom view of the tip for laser handpiece shown in FIG. 1. In the drawings, the broken lines depict environmental subject matter only and form no part of the claimed design.

1 Claim, 6 Drawing Sheets



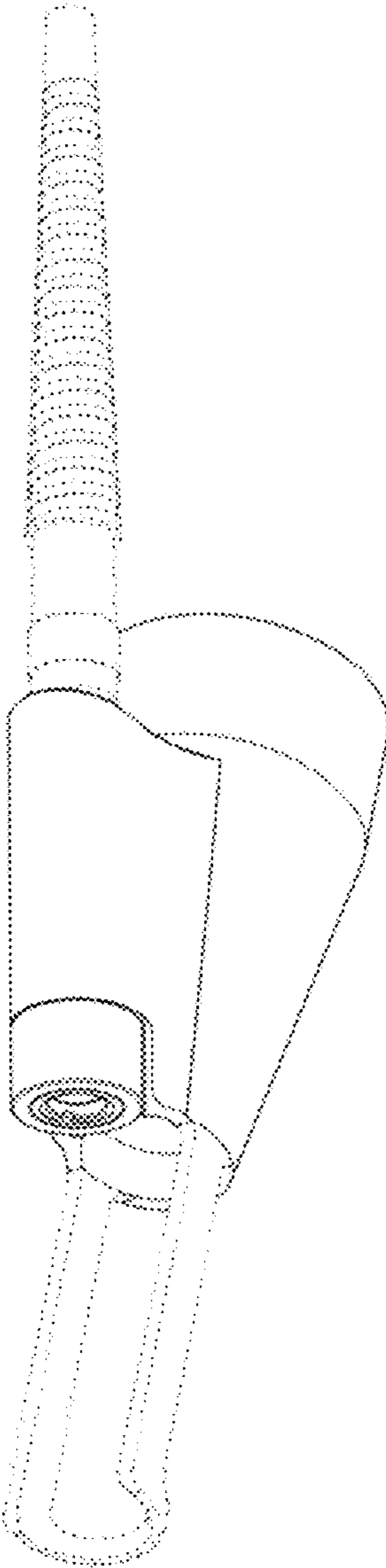


FIG. 1

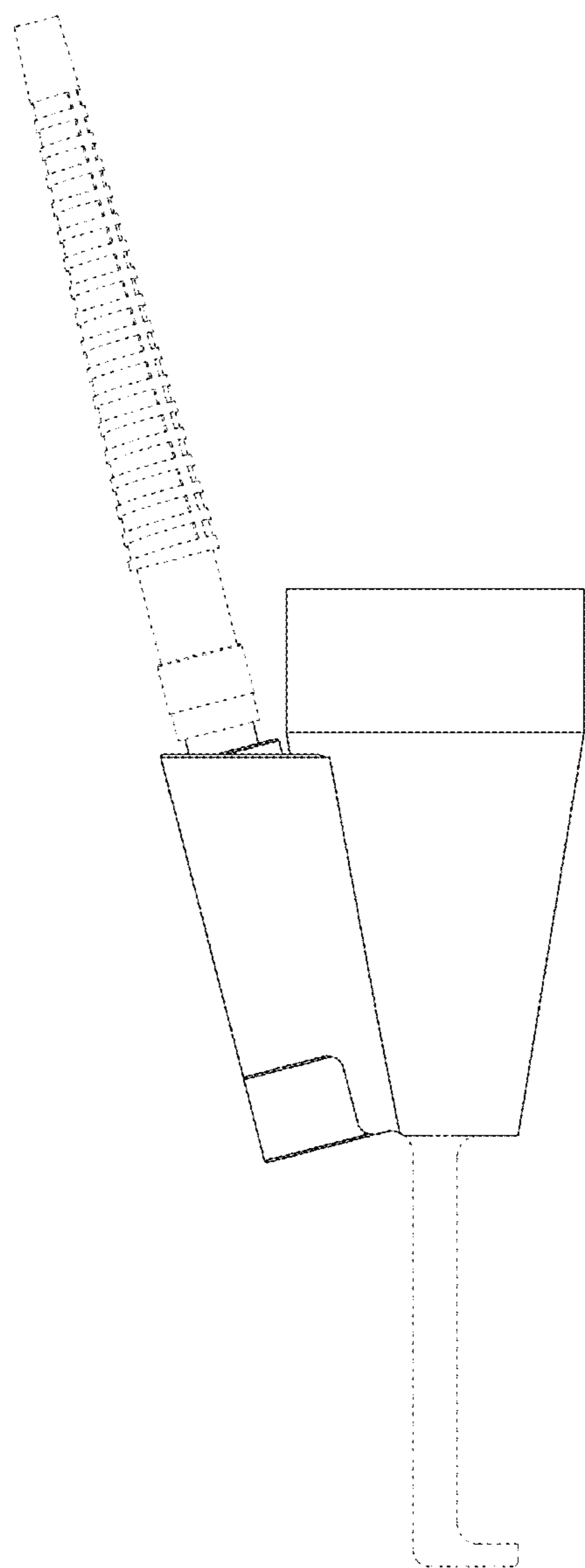


FIG. 2

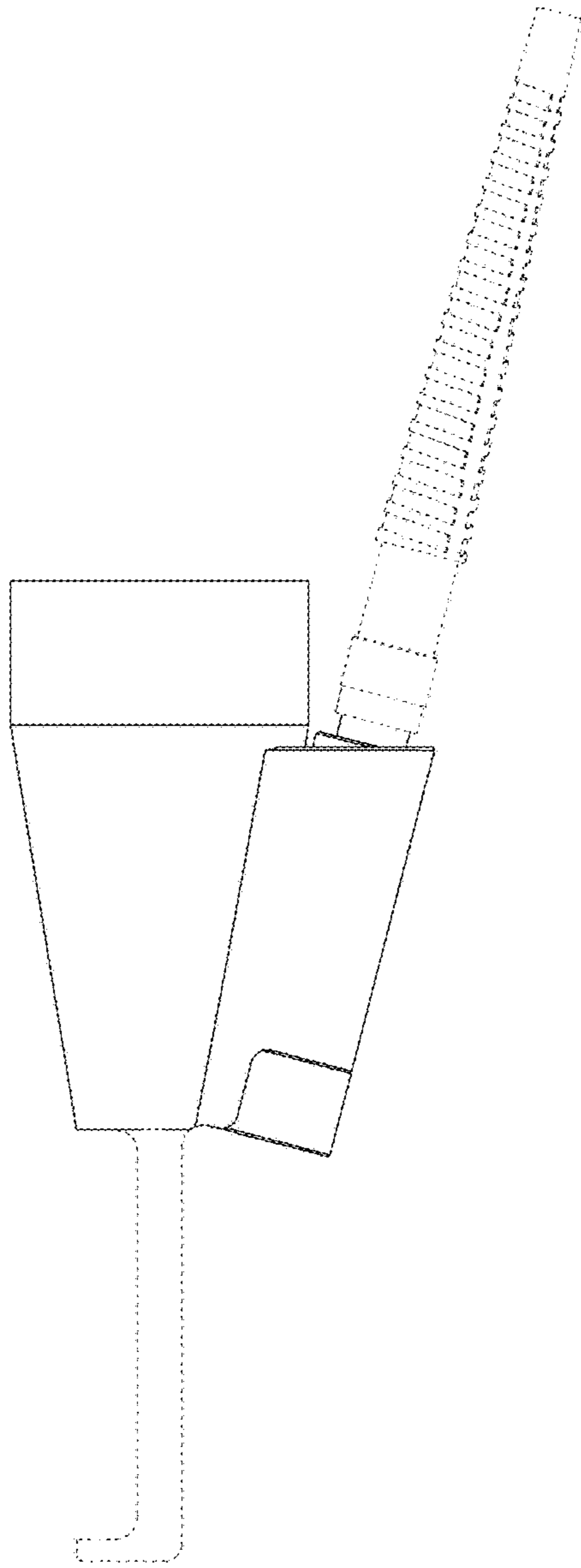


FIG. 3

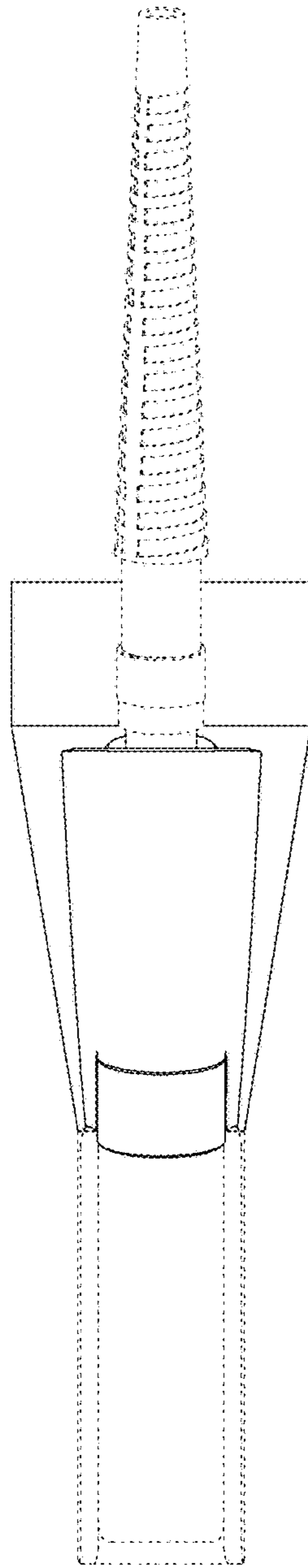


FIG. 4

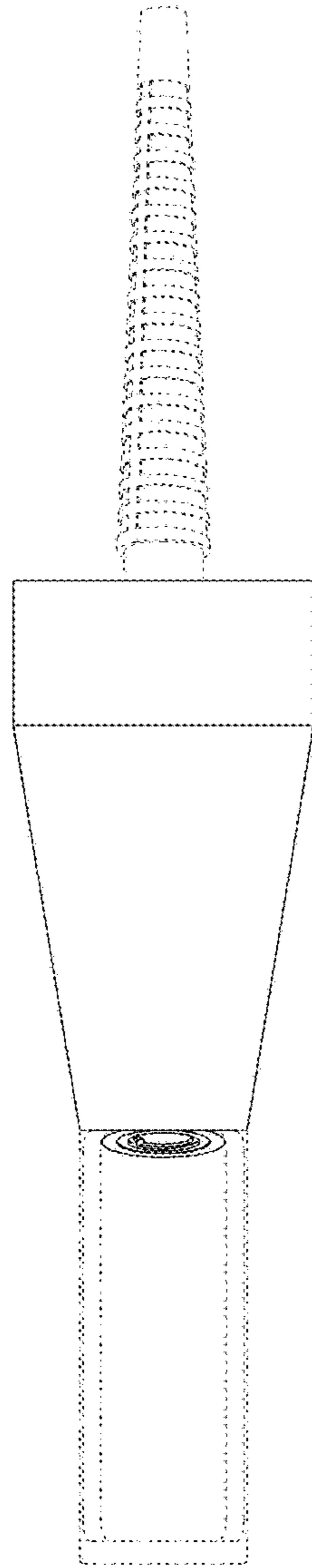


FIG. 5

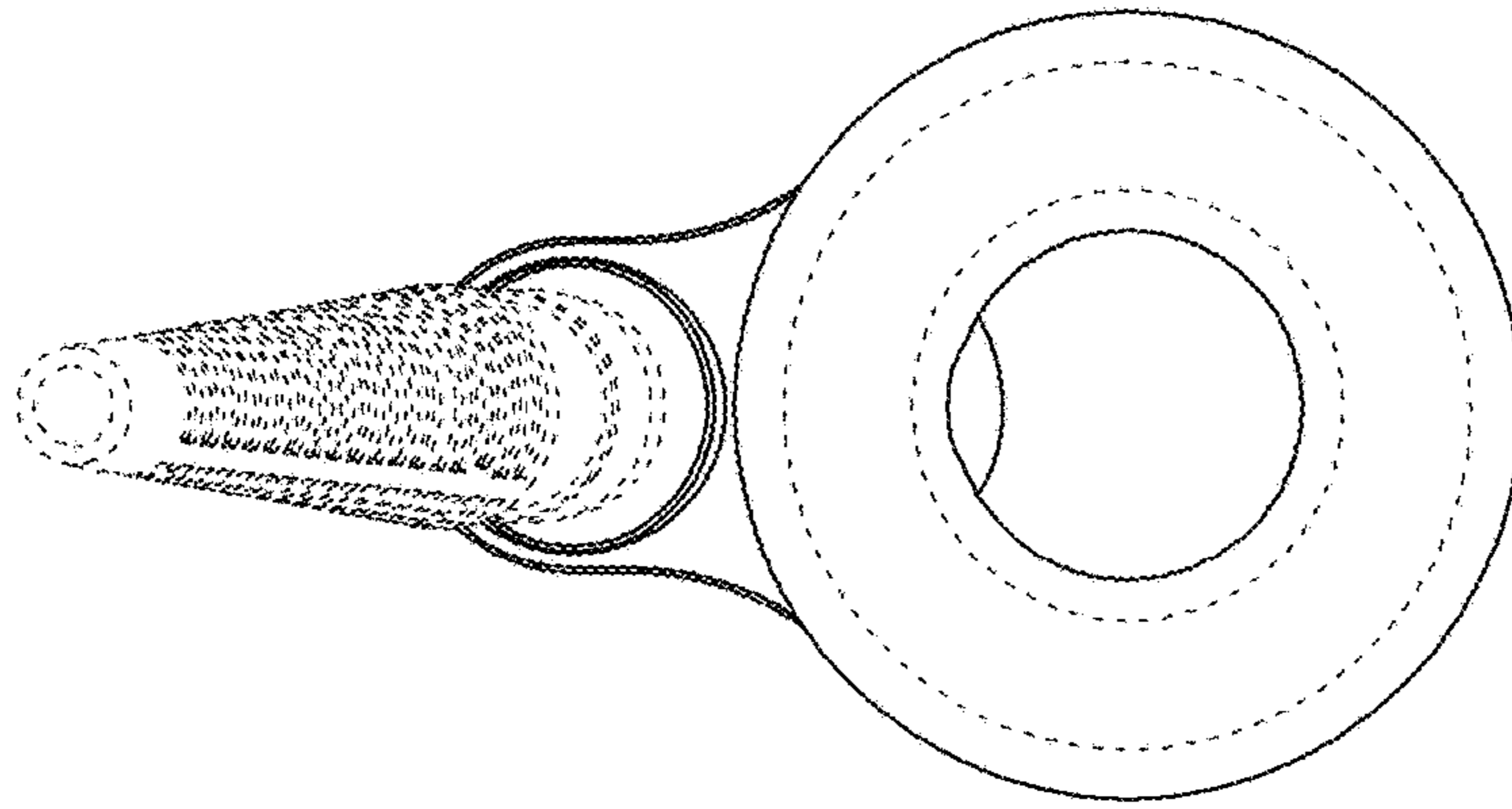


FIG. 6

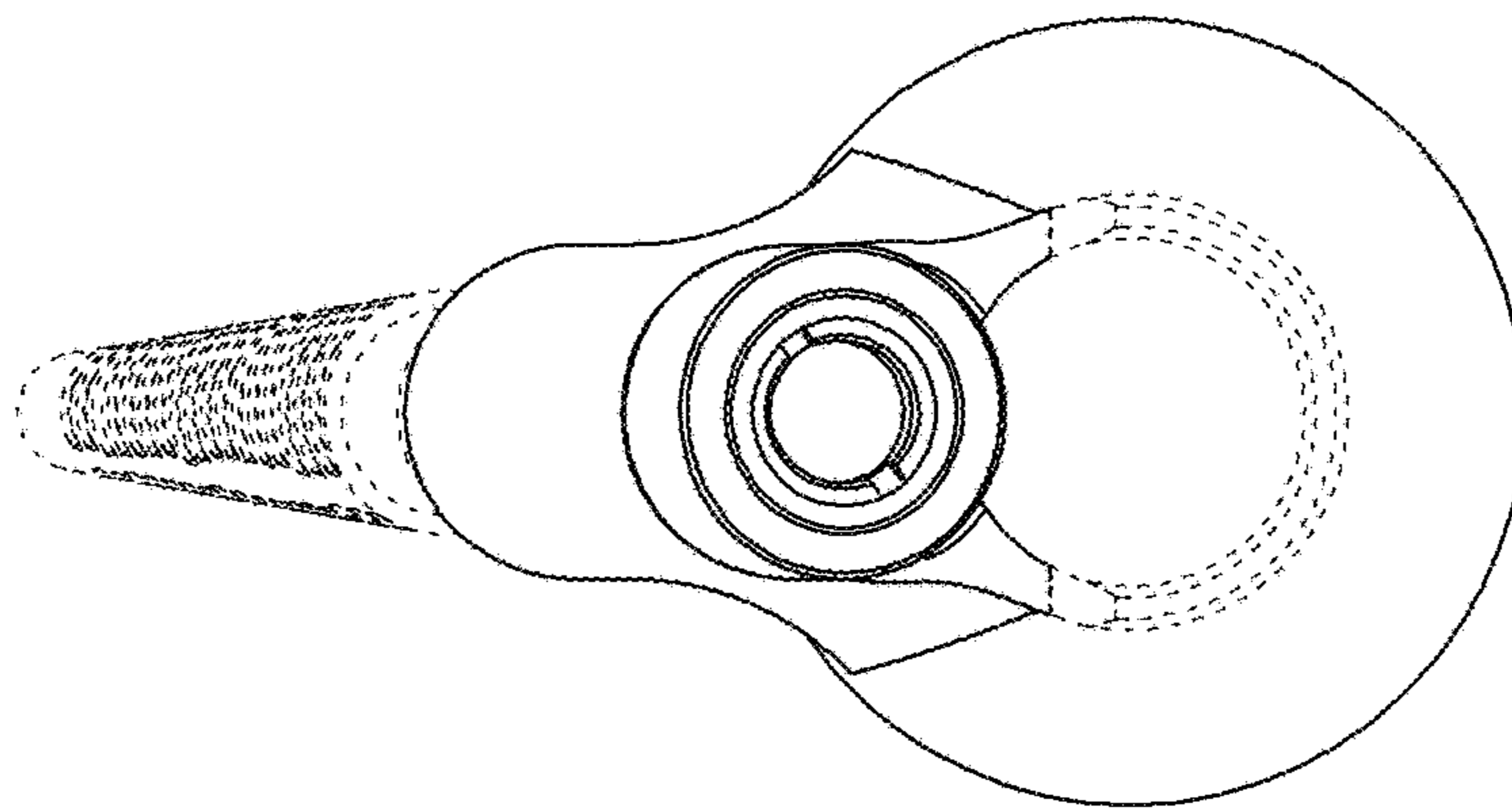


FIG. 7