



US00D861163S

(12) **United States Design Patent** (10) **Patent No.:** **US D861,163 S**
Brockmann et al. (45) **Date of Patent:** **** Sep. 24, 2019**

(54) **PART OF MEDICAL INSTRUMENT**
(71) Applicant: **OLYMPUS WINTER & IBE GMBH**,
Hamburg (DE)
(72) Inventors: **Christian Brockmann**, Hollenstedt
(DE); **Jun Miki**, Tokyo (JP)
(73) Assignee: **OLYMPUS WINTER & IBE GMBH**,
Hamburg (DE)

(**) Term: **15 Years**
(21) Appl. No.: **35/504,572**
(22) Filed: **Feb. 1, 2018**

(80) **Hague Agreement Data**
Int. Filing Date: **Feb. 1, 2018**
Int. Reg. No.: **DM/099874**
Int. Reg. Date: **Feb. 1, 2018**
Int. Reg. Pub. Date: **Mar. 9, 2018**

(30) **Foreign Application Priority Data**
Aug. 4, 2017 (EM) 004134138-0001
(51) **LOC (12) Cl.** **24-02**
(52) **U.S. Cl.**
USPC **D24/138**
(58) **Field of Classification Search**
USPC D24/133, 137, 138, 143-145
See application file for complete search history.

(56) **References Cited**
U.S. PATENT DOCUMENTS
D820,444 S * 6/2018 Pansadoro D24/133
D820,450 S * 6/2018 Magni, Jr. D24/143

D822,206 S * 7/2018 Shelton, IV D24/145
2007/0066976 A1* 3/2007 Hayashida A61B 18/149
606/46
2009/0270896 A1* 10/2009 Sullivan A61B 17/32002
606/170
2012/0059219 A1* 3/2012 St. George A61B 18/149
600/105
2013/0046316 A1* 2/2013 Sullivan A61B 10/0275
606/115
2015/0066018 A1* 3/2015 Doll A61B 18/1206
606/39

* cited by examiner

Primary Examiner — Michael A. Pratt
(74) *Attorney, Agent, or Firm* — Oliff PLC

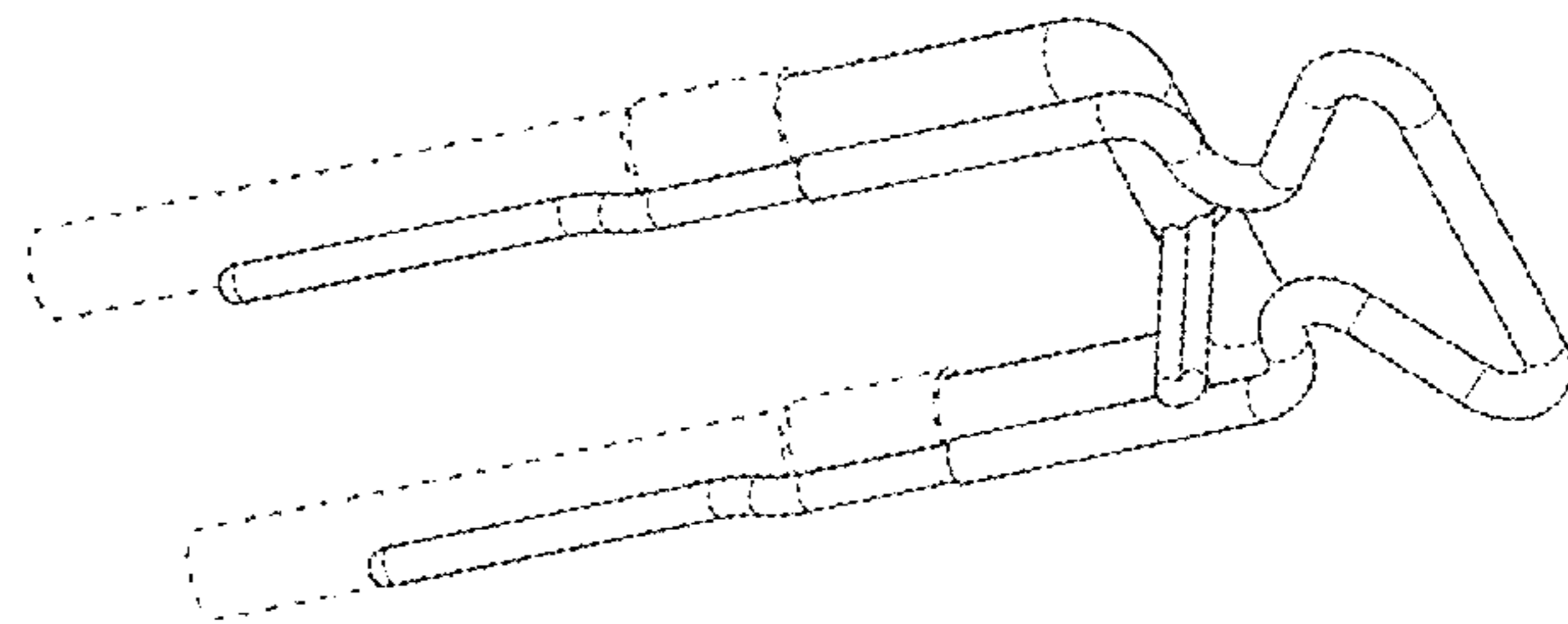
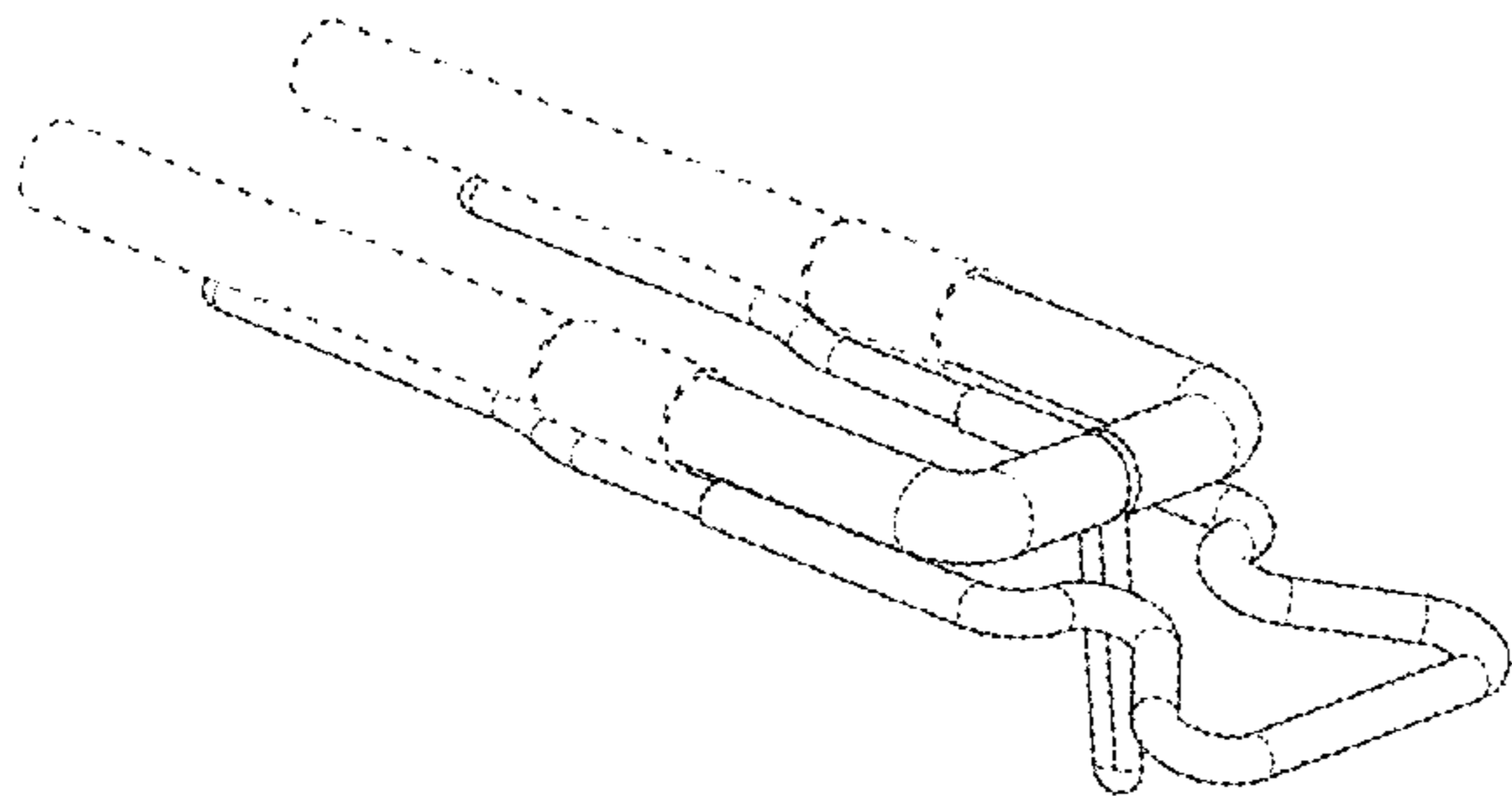
(57) **CLAIM**

The ornamental design for a part of medical instrument, as shown and described.

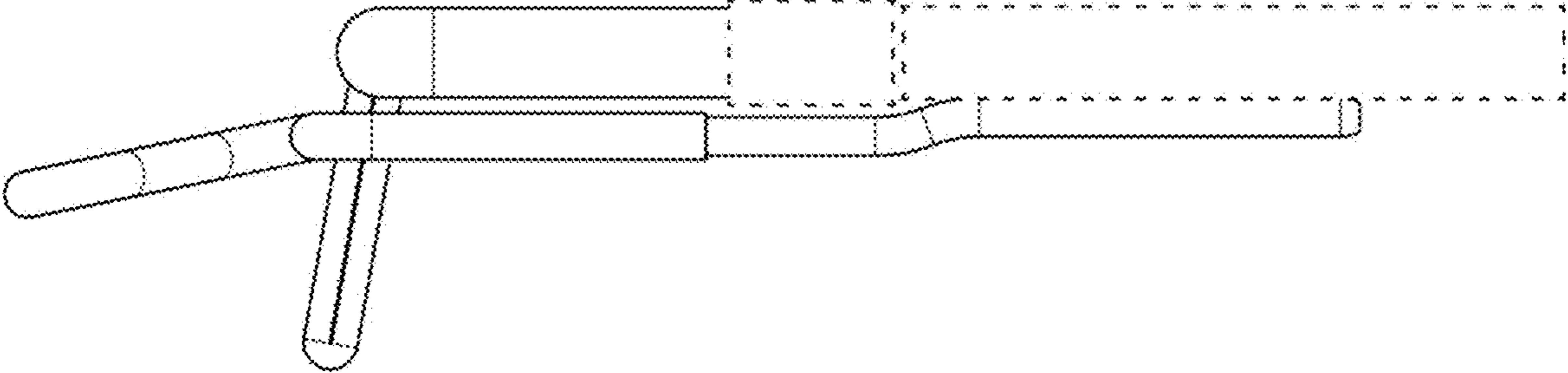
DESCRIPTION

1. Part of medical instrument
1.1 : Right
1.2 : Front
1.3 : Bottom
1.4 : Left
1.5 : Top left
1.6 : Top
1.7 : Bottom left
1.8 : Back
The broken line showing in FIGS. **1.1-1.8** is for the purpose of illustrating portions of the part of medical instrument that form no part of the claimed design.

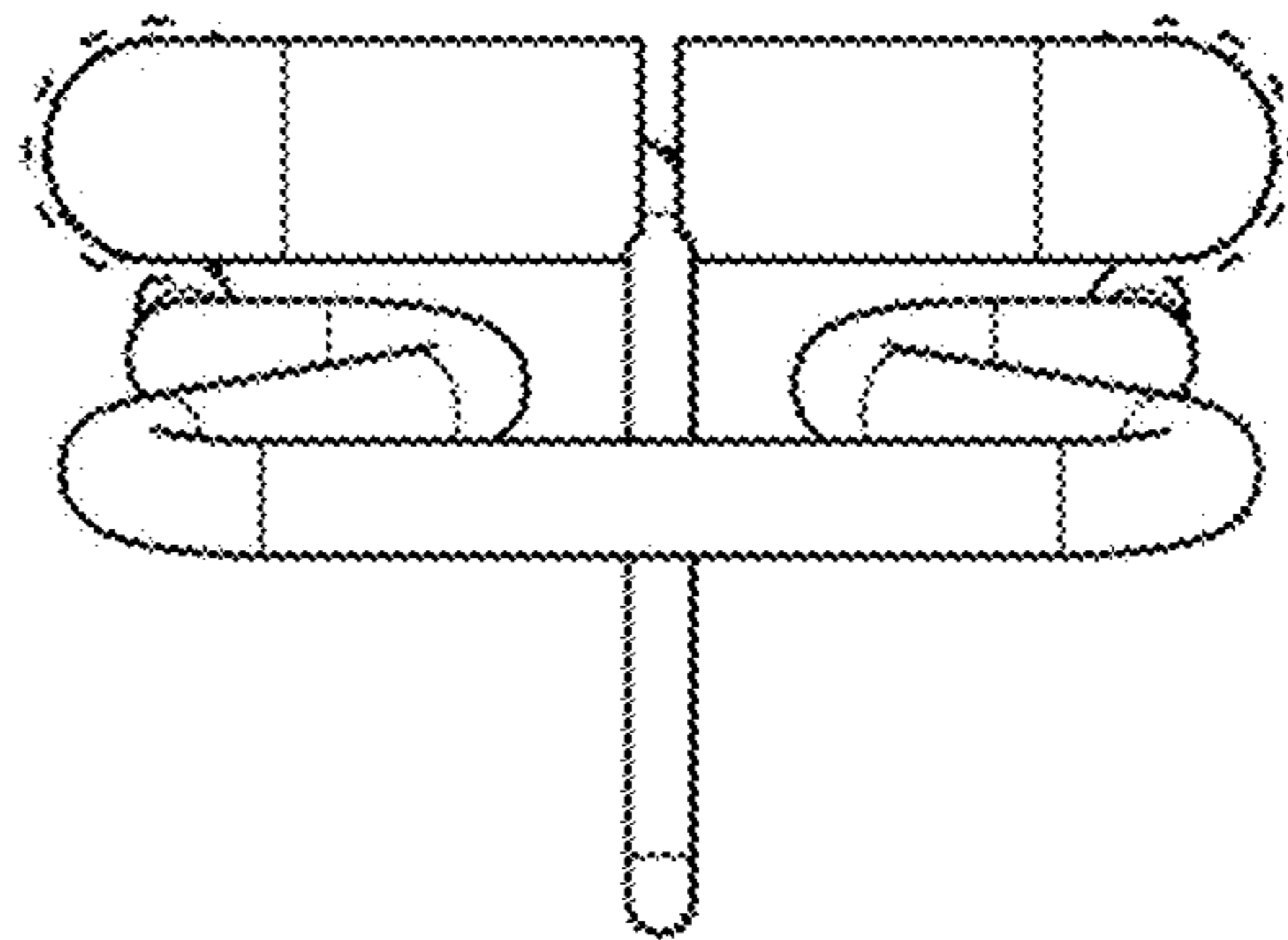
1 Claim, 8 Drawing Sheets



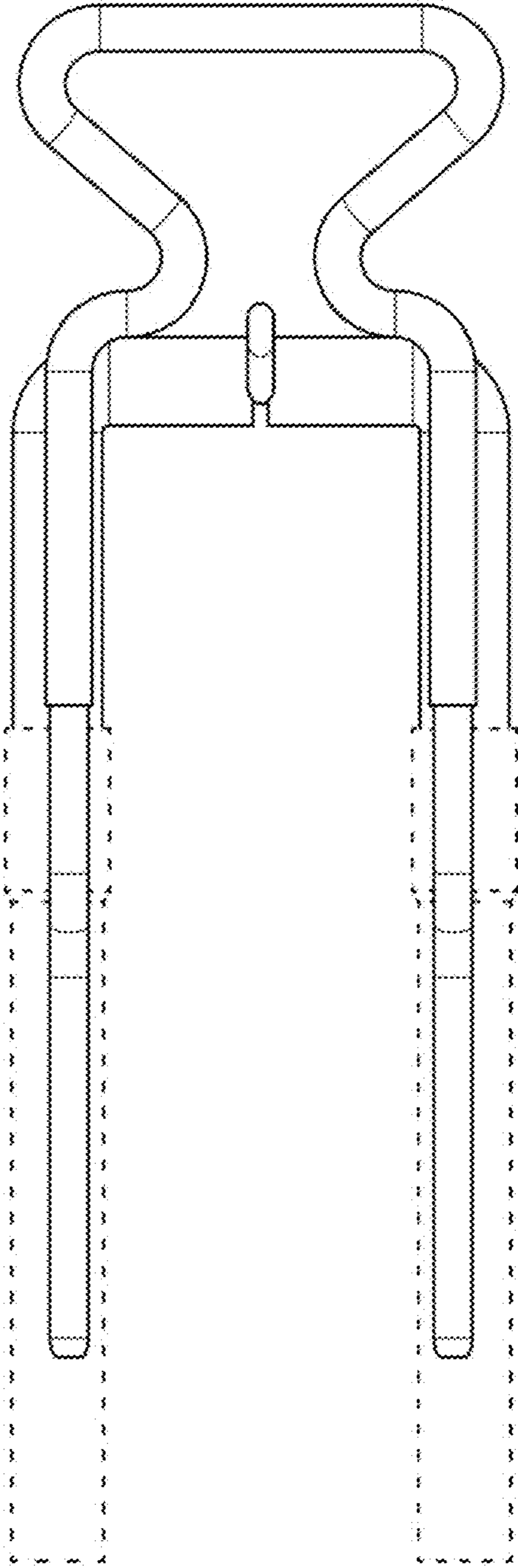
1.1



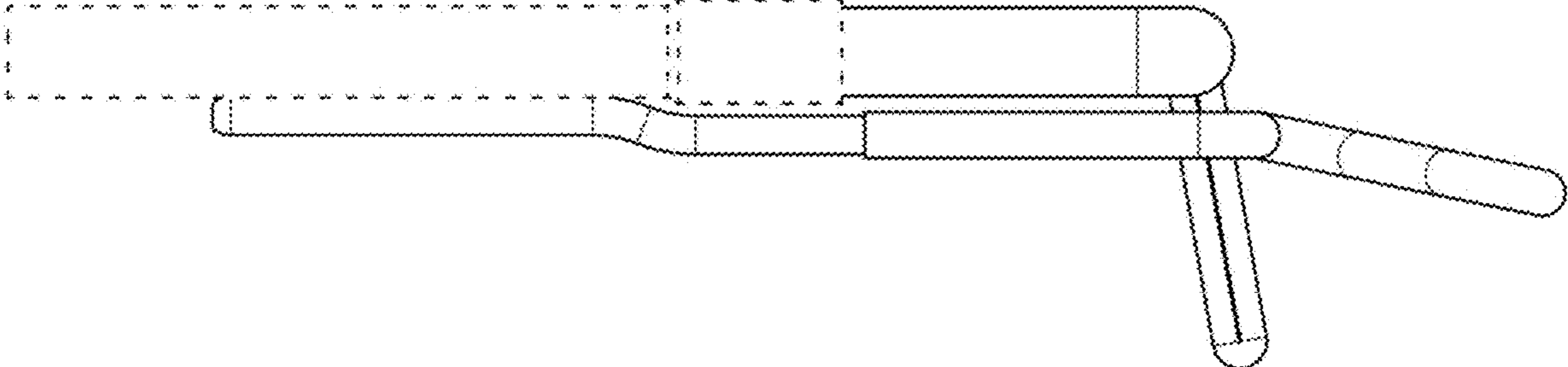
1.2



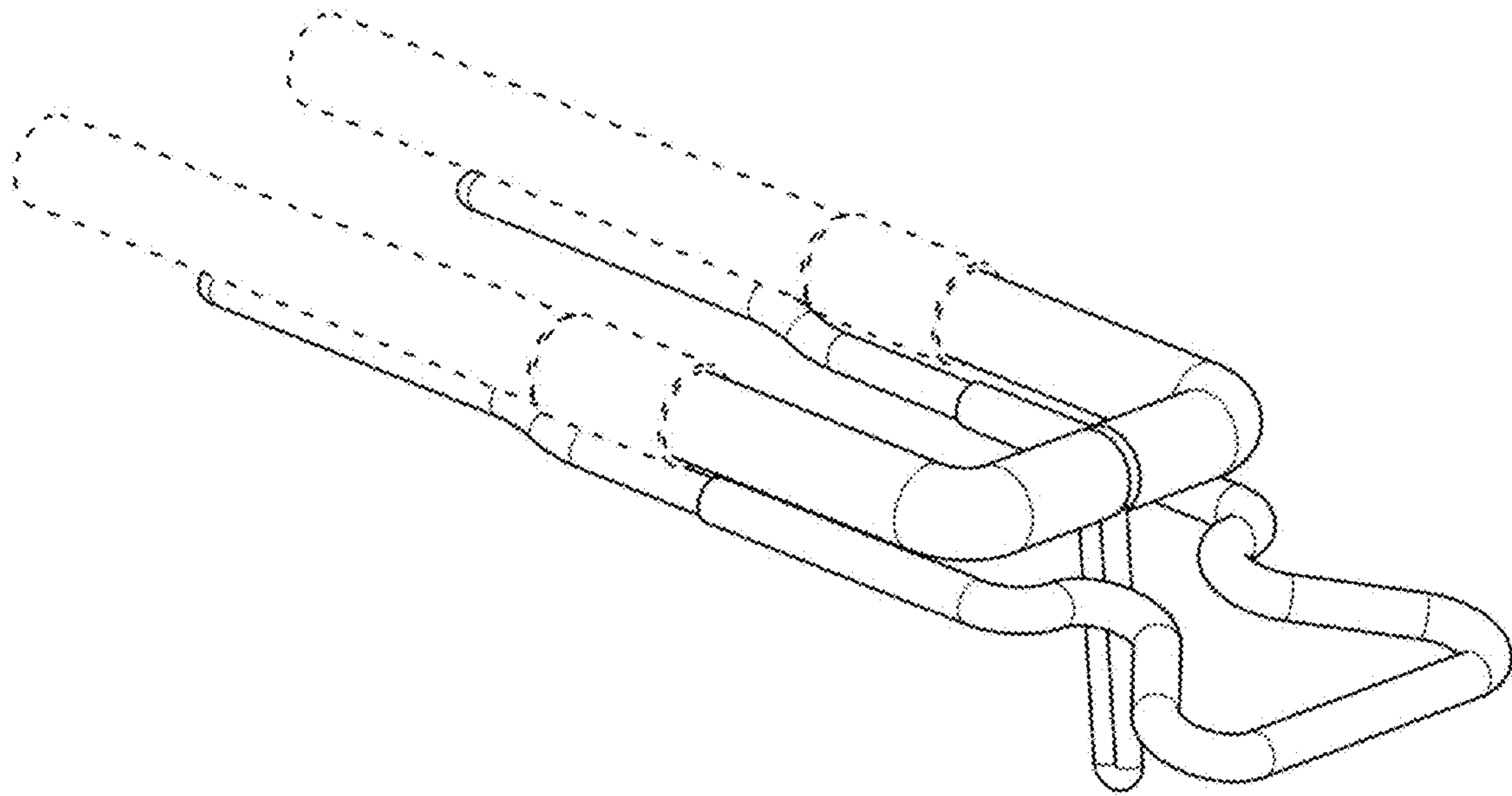
1.3



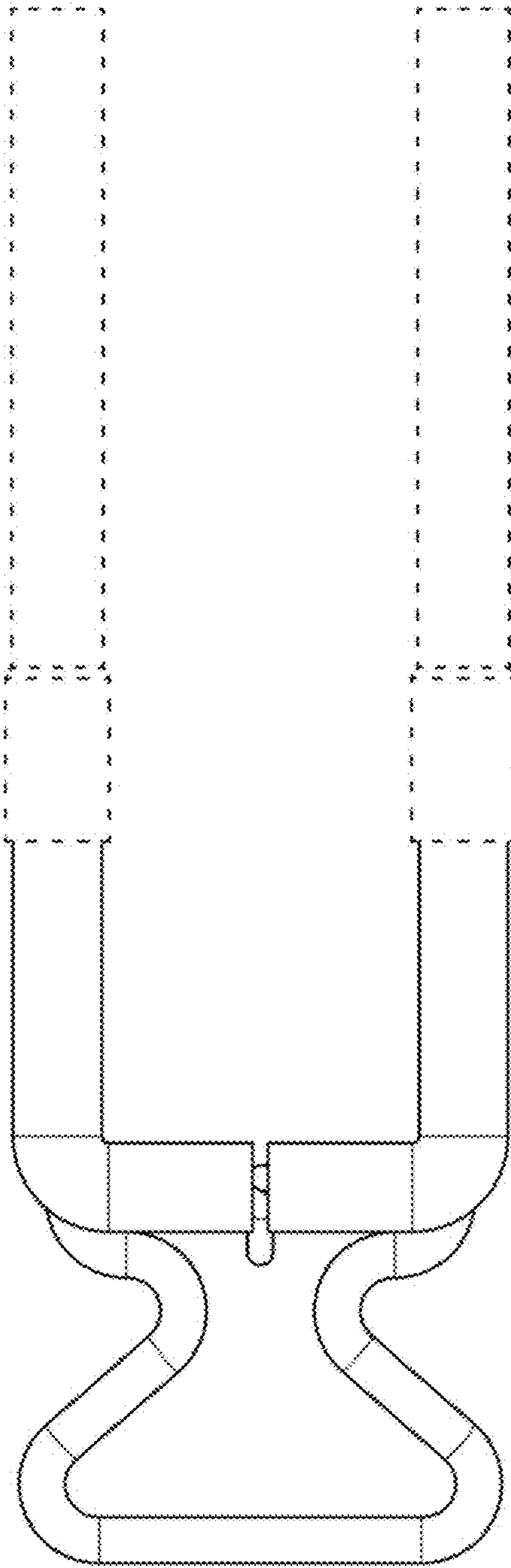
1.4



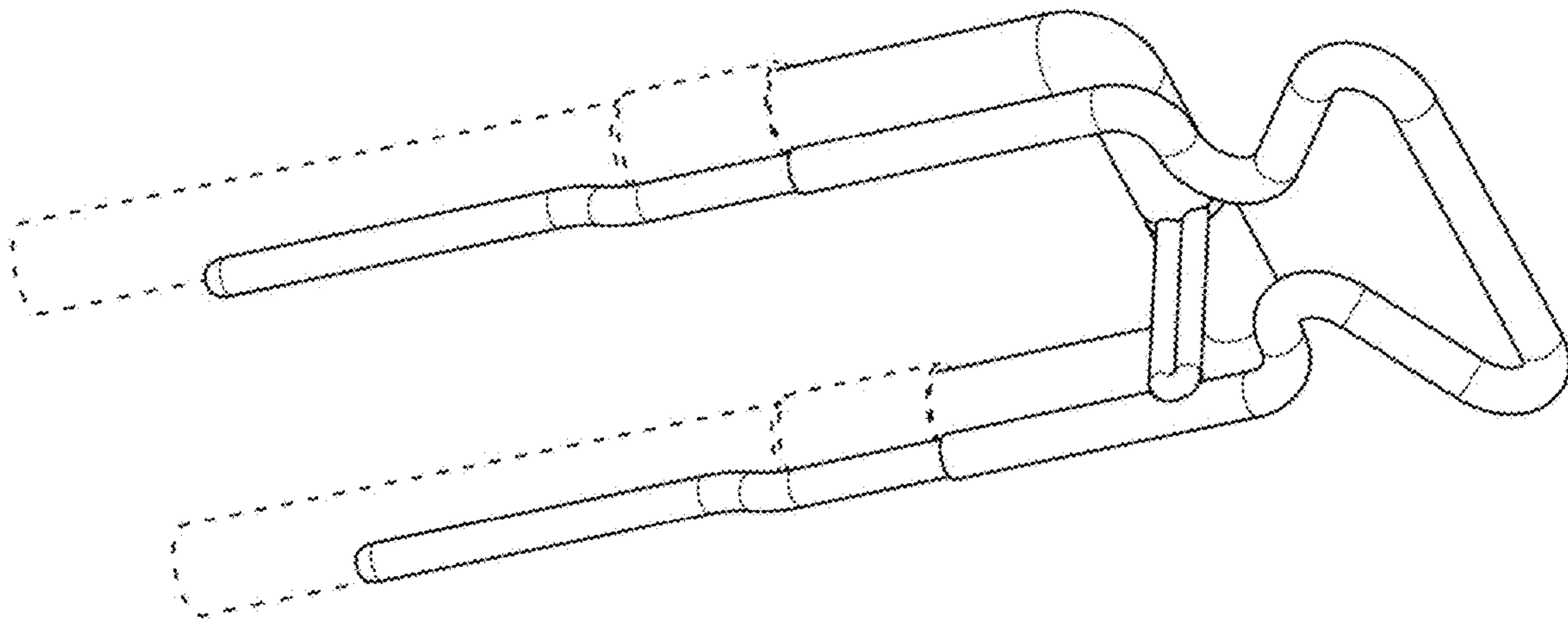
1.5



1.6



1.7



1.8

