



US00D861162S

(12) **United States Design Patent** (10) **Patent No.:** **US D861,162 S**
Gulliver et al. (45) **Date of Patent:** **** Sep. 24, 2019**

(54) **CONNECTOR**

(56) **References Cited**

(71) Applicant: **Fisher & Paykel Healthcare Limited,**
Auckland (NZ)

U.S. PATENT DOCUMENTS

(72) Inventors: **Laurence Gulliver,** Auckland (NZ);
Michael Paul Ronayne, Auckland
(NZ); **Charles William Douglas**
Irving, Auckland (NZ); **Mark Thomas**
O'Connor, Auckland (NZ)

3,513,844 A 5/1970 Smith
4,446,869 A 5/1984 Knodle
4,584,997 A 4/1986 Delong
4,589,684 A 5/1986 Nowacki et al.
4,601,495 A 7/1986 Webb

(Continued)

FOREIGN PATENT DOCUMENTS

(73) Assignee: **Fisher & Paykel Healthcare Limited,**
Auckland (NZ)

DE 37 09 122 A1 9/1988
DE 10 2007 063 556 A1 7/2009

(Continued)

(**) Term: **15 Years**

OTHER PUBLICATIONS

(21) Appl. No.: **29/664,553**

Combined Search and Examination Report in co-pending Applica-
tion No. GB 1810896.9, dated Nov. 20, 2018 in 5 pages.

(22) Filed: **Sep. 26, 2018**

(Continued)

Related U.S. Application Data

Primary Examiner — Sandra S Snapp

Assistant Examiner — Ieisha N Price

(60) Continuation of application No. 29/534,250, filed on
Jul. 27, 2015, now Pat. No. Des. 834,712, which is a
division of application No. 29/433,930, filed on Oct.
5, 2012, now Pat. No. Des. 735,326, which is a
continuation of application No. 29/429,467, filed on
Aug. 10, 2012, now Pat. No. Des. 747,471.

(74) *Attorney, Agent, or Firm* — Knobbe Martens Olson
& Bear, LLP

(51) **LOC (12) Cl.** **24-01**

(57) **CLAIM**

The ornamental design for a connector, as shown and
described.

(52) **U.S. Cl.**

USPC **D24/129**

DESCRIPTION

(58) **Field of Classification Search**

USPC ... D24/110, 110.1, 110.4, 110.5, 110.6, 112,
D24/129, 164, 165; D23/262, 264
CPC A61M 16/0816; A61M 6/0875; A61M
16/0833; A61M 39/1011; A61M
2039/1044; A61M 2039/1027; A61B
5/082

FIG. 1 is a front, top, and side perspective view of an
embodiment of a connector.

FIG. 2 is a back, top, and side perspective view thereof.

FIG. 3 is a top view thereof, the bottom being a mirror
image.

FIG. 4 is a side view thereof, the opposite side being a mirror
image.

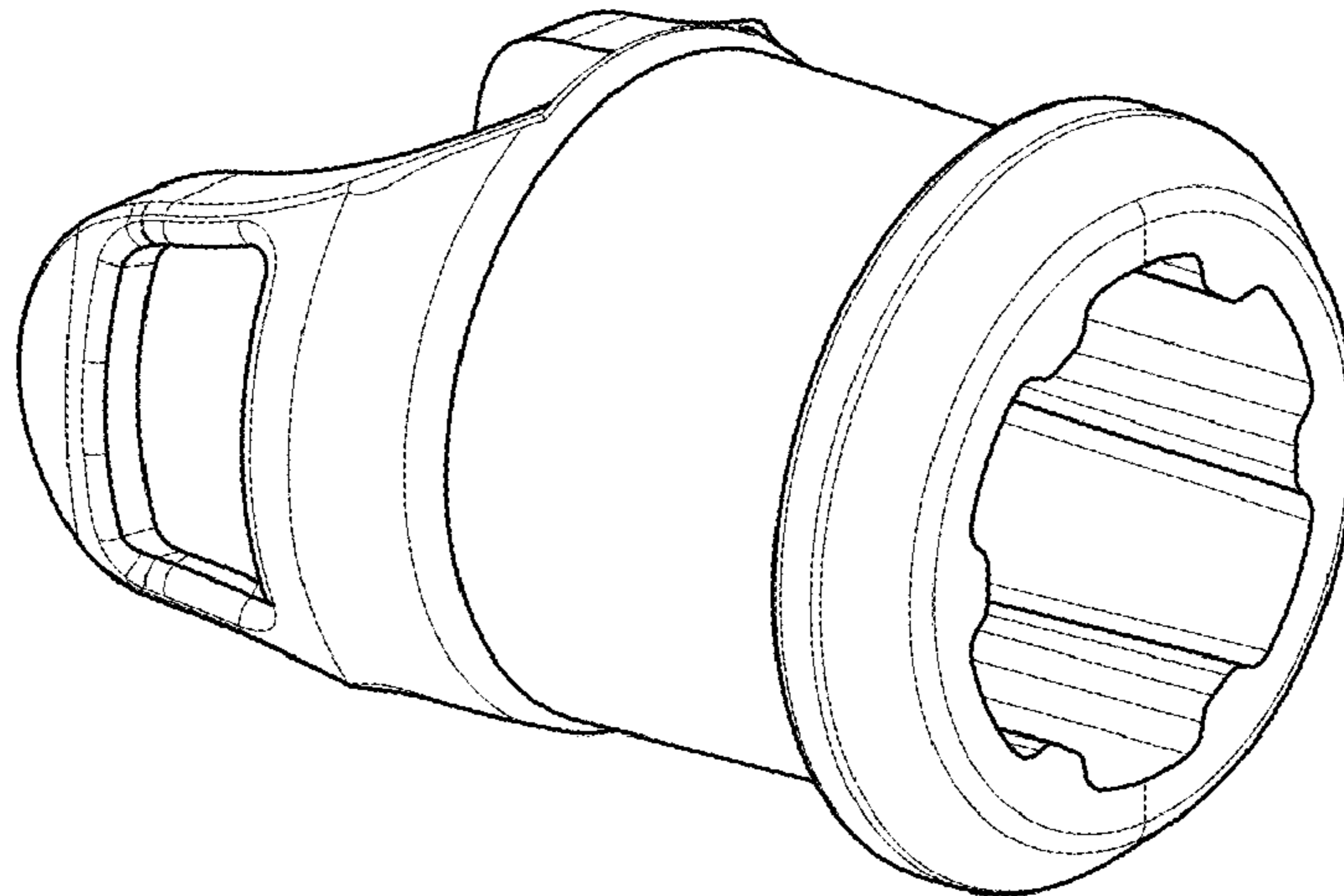
FIG. 5 is a front view thereof; and,

FIG. 6 is a back view thereof.

The broken lines in the drawings illustrate portions of the
connector that form no part of the claimed design.

See application file for complete search history.

1 Claim, 3 Drawing Sheets



(56)

References Cited

U.S. PATENT DOCUMENTS

D300,271 S 3/1989 Rudolph
 D300,272 S 3/1989 Rudolph
 5,040,527 A 8/1991 Larson et al.
 D328,033 S * 7/1992 DiGuseppi D9/435
 5,335,656 A 8/1994 Bowe et al.
 D363,541 S 10/1995 Cottone, Sr. et al.
 5,529,284 A 6/1996 Berger et al.
 D431,634 S 10/2000 Mantz
 6,439,234 B1 8/2002 Curti et al.
 D468,015 S 12/2002 Horppu
 D472,316 S 3/2003 Douglas et al.
 D472,630 S 4/2003 Douglas et al.
 6,893,055 B2 5/2005 Thomas
 6,915,705 B1 7/2005 Truitt
 D543,620 S * 5/2007 Chu D24/110.1
 D551,340 S 9/2007 Wood et al.
 D612,481 S * 3/2010 Reid D24/110.1
 D627,059 S 11/2010 Wood et al.
 D637,713 S * 5/2011 Nord D24/129
 D645,547 S 9/2011 Lombardi
 D654,573 S 2/2012 Lombardi
 D661,785 S 6/2012 Johnson
 8,317,203 B2 11/2012 Hermle et al.
 D672,037 S 12/2012 Miller
 8,376,412 B2 * 2/2013 Johnson F16L 37/0985
 285/336
 8,485,193 B2 7/2013 Worley
 8,534,278 B2 9/2013 Colman et al.
 D691,717 S 10/2013 McLean et al.
 D692,555 S 10/2013 Maksym et al.
 D695,890 S 12/2013 Bowden et al.
 D697,200 S 1/2014 Mahaffy
 D724,720 S 3/2015 O'Connor et al.
 D726,287 S * 4/2015 Steele D23/262
 D735,326 S 7/2015 Gulliver
 D736,914 S 8/2015 Schultz
 D747,471 S 1/2016 Gulliver
 D768,285 S 10/2016 Reed
 D785,161 S * 4/2017 Dravitzki D24/110.4
 D791,939 S * 7/2017 Turturro D24/129
 D794,184 S 8/2017 Smith
 9,808,612 B2 11/2017 Gulliver et al.
 9,879,807 B2 * 1/2018 Brugger F16L 35/00
 D816,216 S * 4/2018 Gulliver D24/129
 D827,126 S * 8/2018 Nilsson D24/110.4
 D834,712 S * 11/2018 Gulliver D24/129
 2004/0090066 A1 5/2004 Hoffman
 2004/0103686 A1 6/2004 Fehr et al.
 2005/0028822 A1 2/2005 Sleeper et al.
 2006/0107958 A1 5/2006 Sleeper
 2006/0107960 A1 5/2006 Smart
 2007/0043334 A1 2/2007 Guala

2007/0088327 A1 4/2007 Guala
 2007/0175473 A1 8/2007 Lewis et al.
 2008/0093846 A1 4/2008 Sparks
 2008/0142019 A1 6/2008 Lewis et al.
 2008/0190436 A1 8/2008 Jaffe et al.
 2009/0101147 A1 4/2009 Landis et al.
 2009/0223523 A1 9/2009 Chang
 2009/0299158 A1 12/2009 Boatner et al.
 2010/0163051 A1 7/2010 Brewer et al.
 2010/0168600 A1 7/2010 Adriance et al.
 2010/0206310 A1 8/2010 Matsubara et al.
 2013/0037030 A1 2/2013 Matula
 2013/0104888 A1 5/2013 Landis et al.
 2014/0000626 A1 1/2014 O'Connor et al.
 2014/0014108 A1 1/2014 Dillard
 2014/0053846 A1 2/2014 Wood
 2014/0191501 A1 * 7/2014 Brugger F16L 35/00
 285/120.1
 2014/0200475 A1 7/2014 Rubin
 2014/0338669 A1 11/2014 Zhao
 2015/0021909 A1 1/2015 Gulliver
 2015/0320962 A1 11/2015 Baffle
 2016/0131292 A1 5/2016 Decker
 2017/0036007 A1 * 2/2017 Hallisey A61M 39/10
 2017/0065789 A1 3/2017 Reed
 2018/0078752 A1 * 3/2018 Gulliver A61M 16/0666
 2018/0140819 A1 * 5/2018 Yang A61M 39/1011
 2018/0200148 A1 * 7/2018 Sanders A61M 5/34

FOREIGN PATENT DOCUMENTS

EP 1 314 446 8/2002
 EP 1408313 A2 4/2004
 EP 1520599 A1 10/2004
 EP 1933074 A2 6/2008
 EP 3335756 6/2018
 GB 2328260 2/1999
 JP 2003-502116 1/2003
 WO WO 2003/082406 10/2003
 WO WO 2004/108218 12/2004
 WO WO 2005/079670 9/2005
 WO WO 2013/022356 2/2013

OTHER PUBLICATIONS

Combined Search and Examination Report in co-pending Application No. GB 1800268.3, dated Jan. 25, 2018 in 6 pages.
 Examination Report; JP2014524961A; dated Nov. 8, 2017; 2 pages.
 PCT Application No. PCT/NZ2012/000142 International Preliminary Report on Patentability dated Feb. 20, 2014 in 6 pages.
 PCT Application No. PCT/NZ2012/000142 International Search Report and Written Opinion dated Jan. 22, 2013, in 14 pages.

* cited by examiner

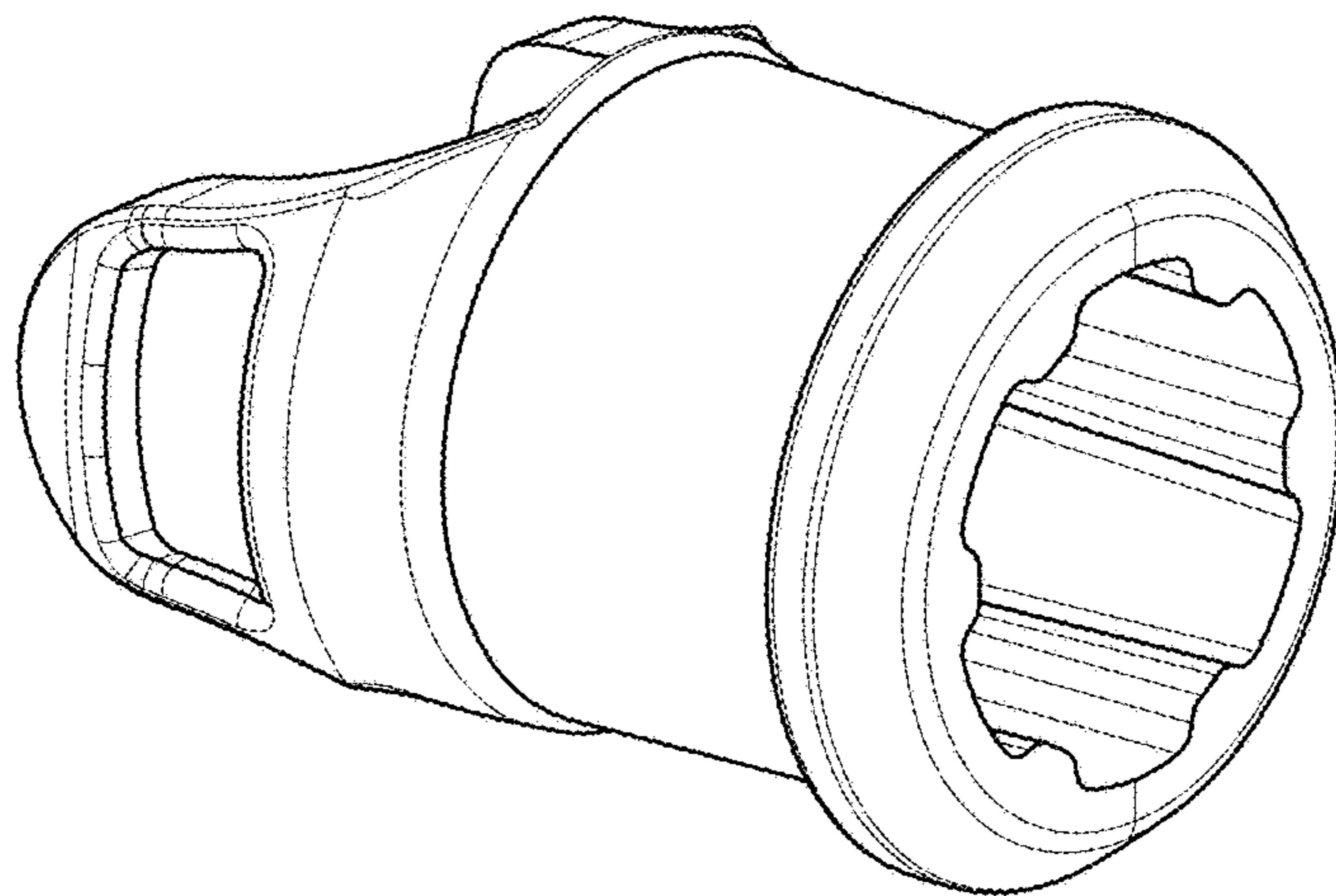


FIG. 1

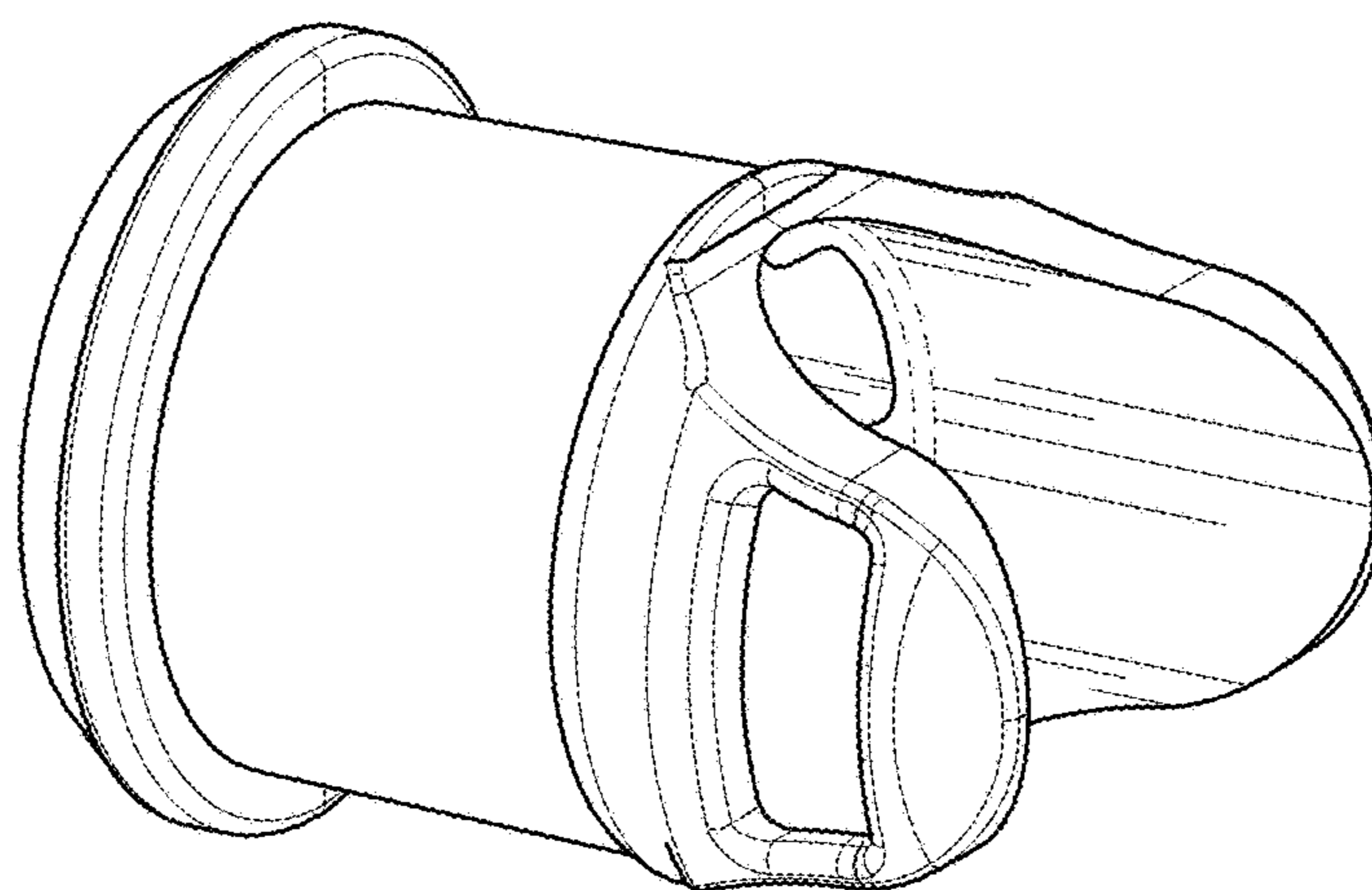


FIG. 2

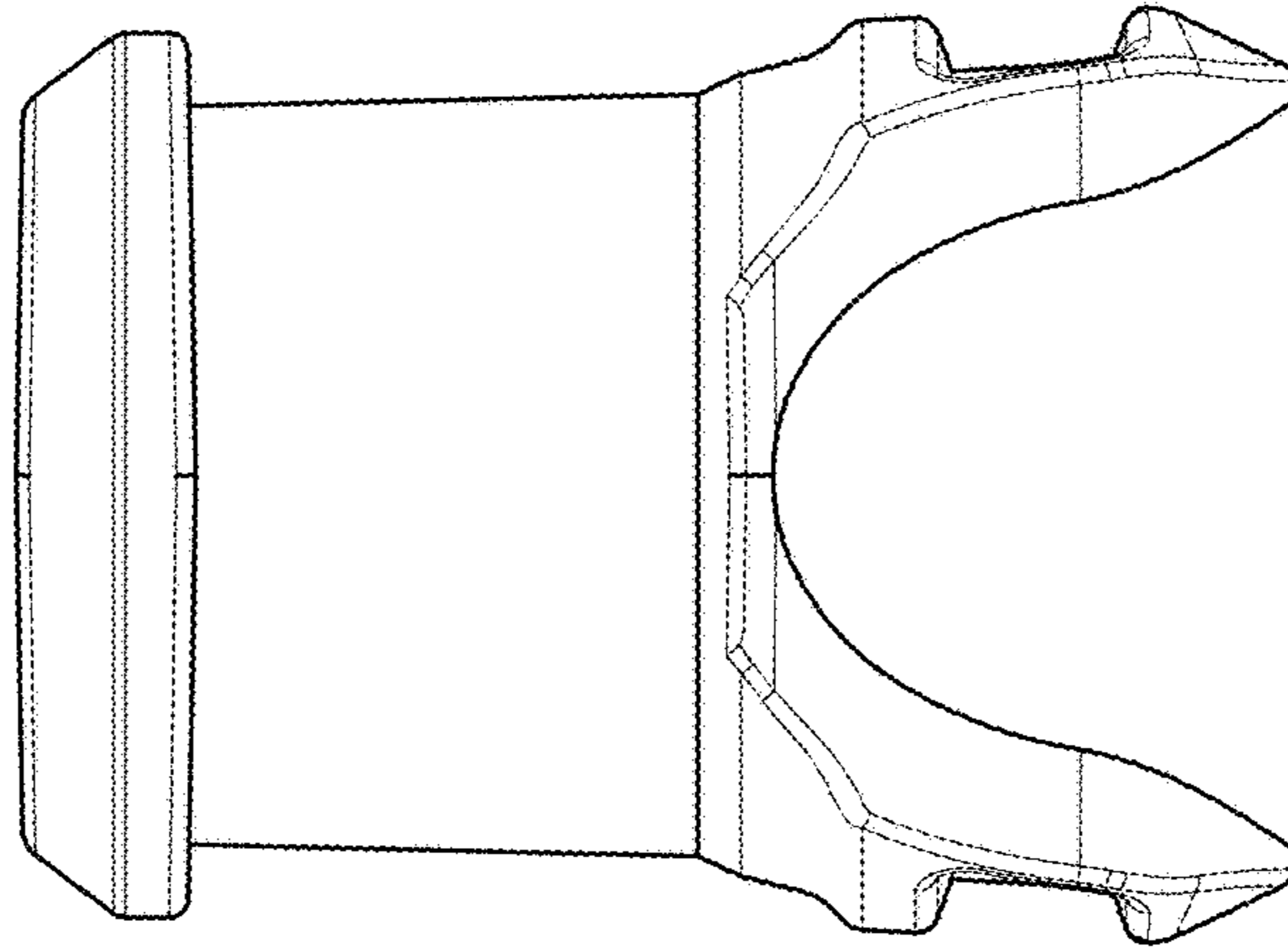


FIG. 3

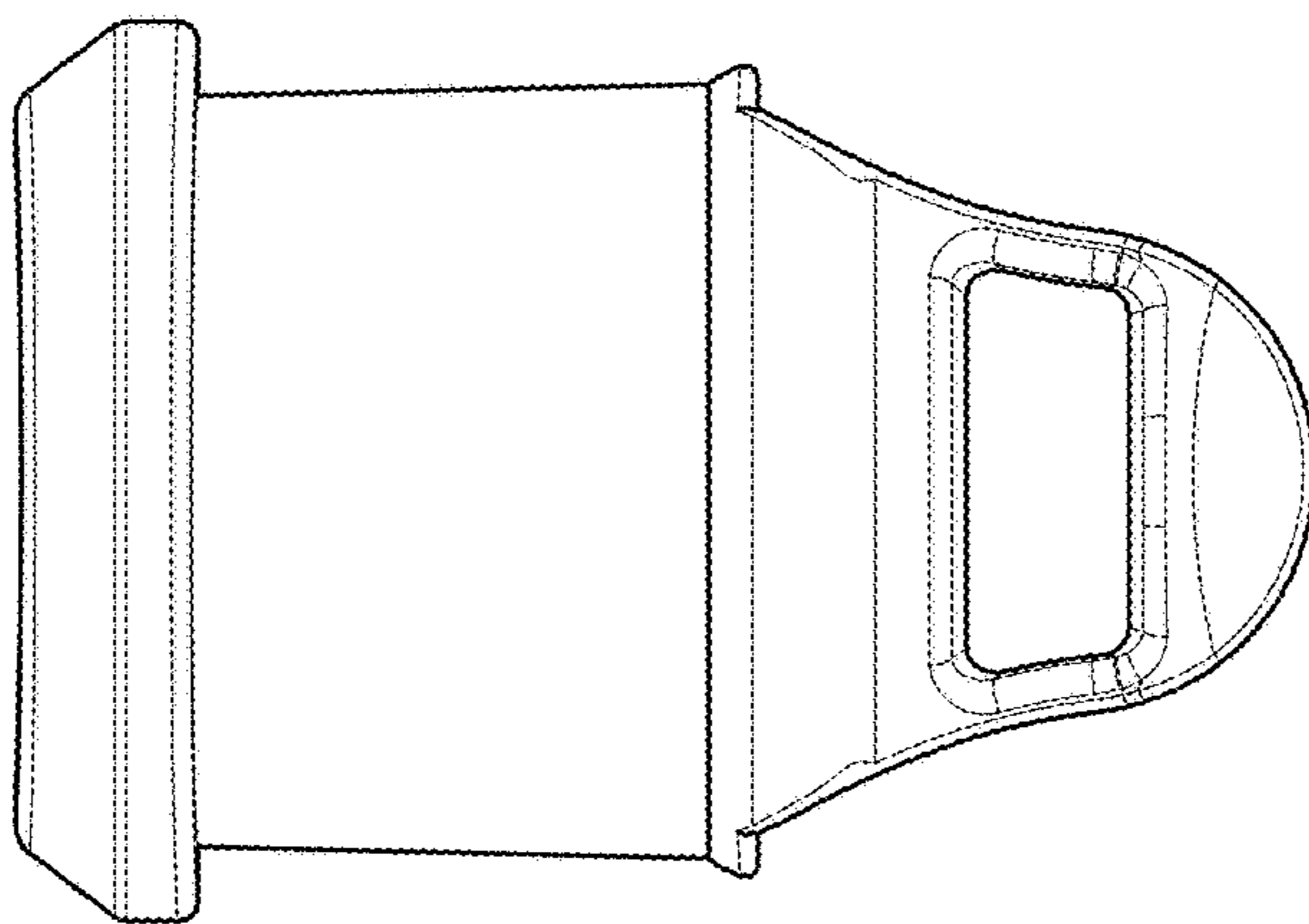


FIG. 4

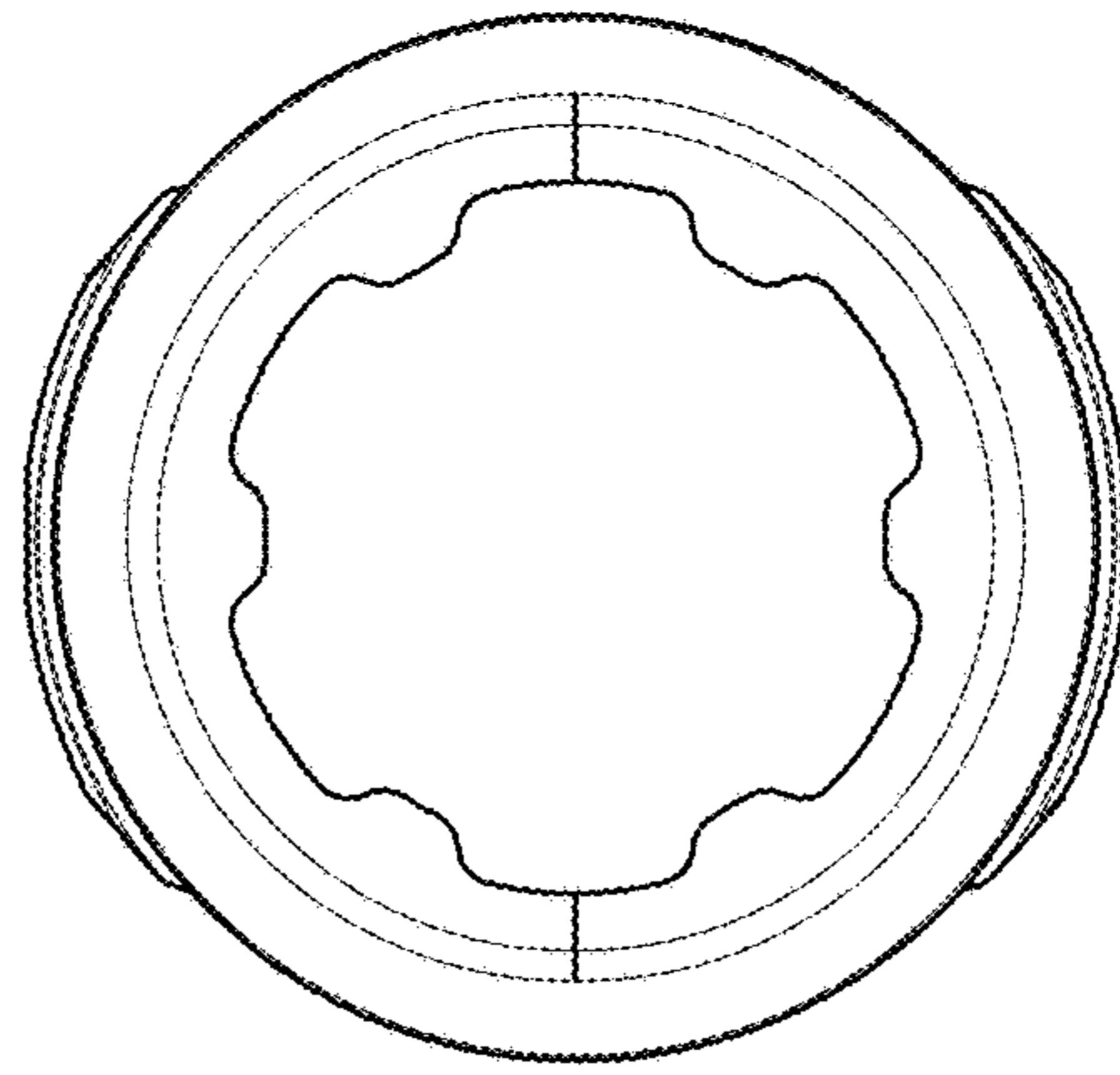


FIG. 5

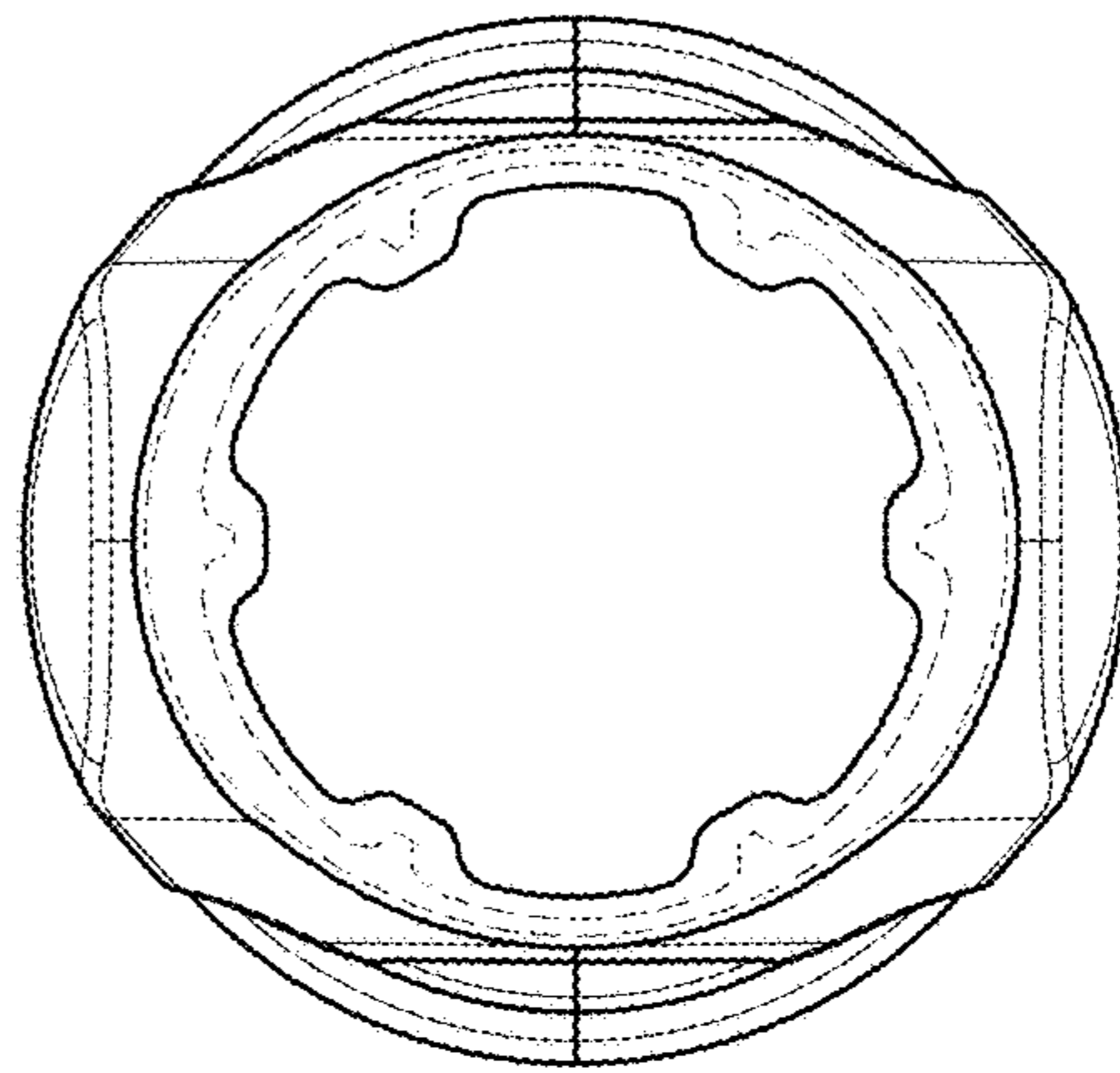


FIG. 6