

US00D861161S

(12) **United States Design Patent** (10) **Patent No.:** **US D861,161 S**  
**Schuessler** (45) **Date of Patent:** **\*\* \*Sep. 24, 2019**

(54) **CONNECTOR**  
(71) Applicant: **KPR U.S., LLC**, Mansfield, MA (US)  
(72) Inventor: **Wayne Schuessler**, St. Louis, MO (US)  
(73) Assignee: **KPR U.S., LLC**, Mansfield, MA (US)  
(\* ) Notice: This patent is subject to a terminal disclaimer.

D382,639 S \* 8/1997 Musgrave ..... D24/108  
D423,670 S \* 4/2000 Scheuble ..... D24/130  
6,066,117 A \* 5/2000 Fox ..... A61B 17/3462  
137/847  
D432,230 S \* 10/2000 Utas ..... D24/112  
6,158,095 A 12/2000 Lassiter  
D445,895 S \* 7/2001 Svendsen ..... D24/112  
6,273,404 B1 \* 8/2001 Holman ..... A61M 25/0009  
264/259  
D451,196 S \* 11/2001 Block ..... D24/112  
(Continued)

(\*\*) Term: **15 Years**

**FOREIGN PATENT DOCUMENTS**

(21) Appl. No.: **29/608,556**  
(22) Filed: **Jun. 22, 2017**  
(51) **LOC (12) Cl.** ..... **24-02**  
(52) **U.S. Cl.**  
USPC ..... **D24/129**  
(58) **Field of Classification Search**  
USPC ..... D24/129, 112-114, 130, 127, 104, 133,  
D24/186, 108; 606/181, 185; 604/264,  
604/272, 115, 164.01-164.09, 533, 232,  
604/187, 168.01, 192, 19, 48, 93.01, 523,  
604/524, 526; 600/101, 139, 143;  
128/200.24, 207.14, 207.15; 601/67  
CPC ..... A61M 25/00; A61M 25/0014; A61M  
25/0097; A61M 25/0026  
See application file for complete search history.

EP 2253350 A1 11/2010  
WO 9217150 A1 10/1992  
WO 2010029853 A1 3/2010

**OTHER PUBLICATIONS**

“Alternate Syringes: Low Displacement Option,” Rork Swisher, ISO 80369 Series Meeting, Berlin, Germany, Mar. 19, 2014, 11 pages.

*Primary Examiner* — David G Muller  
*Assistant Examiner* — Nathan M Johnston  
(74) *Attorney, Agent, or Firm* — Adnan H. Bohri

(57) **CLAIM**

The ornamental design for an connector, as shown and described.

(56) **References Cited**

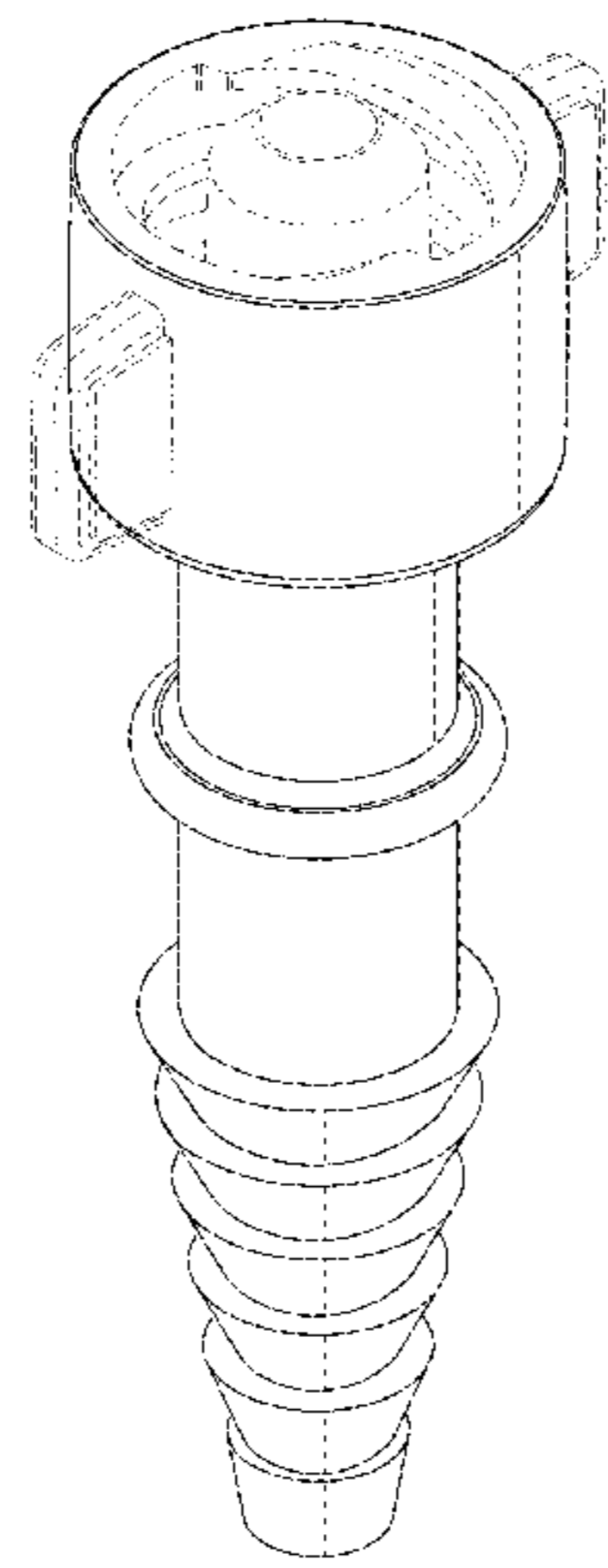
**DESCRIPTION**

**U.S. PATENT DOCUMENTS**

4,707,906 A 11/1987 Posey  
4,735,607 A 4/1988 Keith, Jr.  
D307,052 S \* 4/1990 Baxter ..... D24/224  
5,079,802 A 1/1992 Blase et al.  
D326,321 S \* 5/1992 Schneider ..... D24/112  
D337,157 S \* 7/1993 Ortiz ..... D24/110  
5,309,604 A 5/1994 Poulsen  
5,413,561 A 5/1995 Fischell et al.  
5,489,275 A \* 2/1996 Thompson ..... A61M 25/00  
604/111  
5,507,460 A 4/1996 Schneider  
D381,075 S \* 7/1997 Manosalva ..... D24/112

FIG. 1 is a perspective view of the connector showing my new design;  
FIG. 2 is a front elevation view thereof, the rear elevation view being identical to the front elevation view;  
FIG. 3 is a right side elevation view thereof, the left side elevation view being identical to the right side elevation view;  
FIG. 4 is a top plan view thereof; and,  
FIG. 5 is a bottom plan view thereof.

**1 Claim, 5 Drawing Sheets**



(56)

References Cited

U.S. PATENT DOCUMENTS

6,367,118 B1 4/2002 Berfield  
 D468,015 S 12/2002 Horppu  
 6,609,520 B1 8/2003 Carlsen et al.  
 D484,593 S \* 12/2003 Baillargeon ..... D24/129  
 D492,030 S 6/2004 Rani  
 7,125,411 B2 \* 10/2006 Guanche ..... A61B 17/22012  
 606/108  
 7,166,088 B2 1/2007 Heuser  
 D583,058 S \* 12/2008 Short ..... D24/162  
 D604,839 S \* 11/2009 Crawford ..... D24/130  
 D606,194 S \* 12/2009 Frey ..... D24/108  
 D629,099 S 12/2010 Kilani  
 7,850,669 B1 12/2010 Moore et al.  
 D631,554 S \* 1/2011 Jackson ..... D24/224  
 D634,007 S 3/2011 Zinger et al.  
 D638,536 S \* 5/2011 Row ..... D24/129  
 D638,537 S \* 5/2011 Virr ..... D24/129  
 D640,795 S \* 6/2011 Jackson ..... D24/216  
 D644,731 S \* 9/2011 Fangrow, Jr. .... D24/129  
 D654,166 S \* 2/2012 Lair ..... D24/129  
 D659,848 S \* 5/2012 TerMaat ..... D24/224  
 D671,209 S \* 11/2012 Row ..... D24/129  
 D690,025 S \* 9/2013 TerMaat ..... D24/224  
 D709,753 S 7/2014 Guala

8,771,223 B2 \* 7/2014 Patton ..... A61B 17/3421  
 604/93.01  
 8,777,930 B2 \* 7/2014 Swisher ..... A61M 39/10  
 604/284  
 D723,180 S \* 2/2015 Klein ..... D24/216  
 D723,181 S \* 2/2015 Kawamura ..... D24/224  
 D761,422 S \* 7/2016 Row ..... D24/129  
 D781,417 S \* 3/2017 Ingram ..... D24/127  
 D787,053 S \* 5/2017 Huang ..... D24/130  
 D791,938 S \* 7/2017 Becker ..... D24/129  
 2006/0142702 A1 \* 6/2006 Sievers ..... A61M 25/0069  
 604/264  
 2007/0083157 A1 \* 4/2007 Belley ..... A61M 25/0606  
 604/93.01  
 2008/0140020 A1 6/2008 Shirley  
 2008/0183153 A1 7/2008 Enns  
 2010/0249650 A1 \* 9/2010 Hikawa ..... A61B 5/150022  
 600/573  
 2012/0191037 A1 7/2012 Patel et al.  
 2013/0270819 A1 10/2013 Amborn et al.  
 2014/0243625 A1 8/2014 Warren  
 2014/0309551 A1 \* 10/2014 Burkholz ..... A61B 5/150305  
 600/573  
 2016/0067471 A1 \* 3/2016 Ingram ..... A61M 39/20  
 604/533

\* cited by examiner

FIG. 1

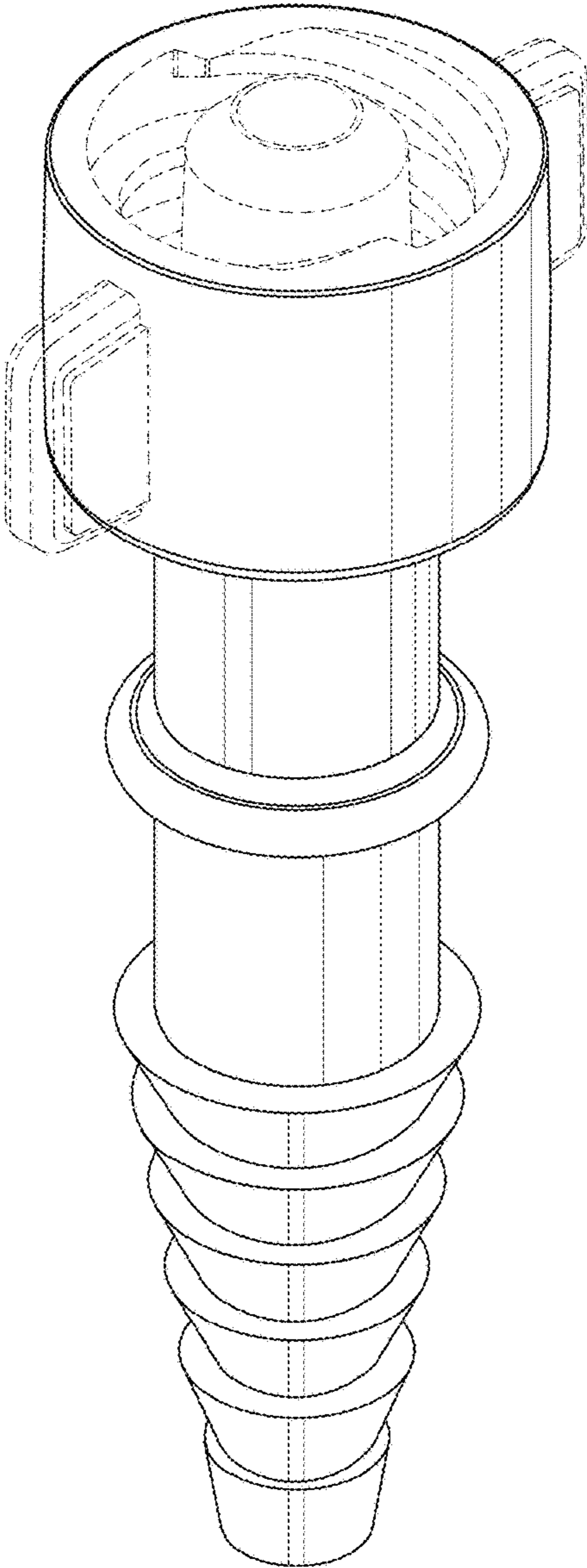


FIG. 2

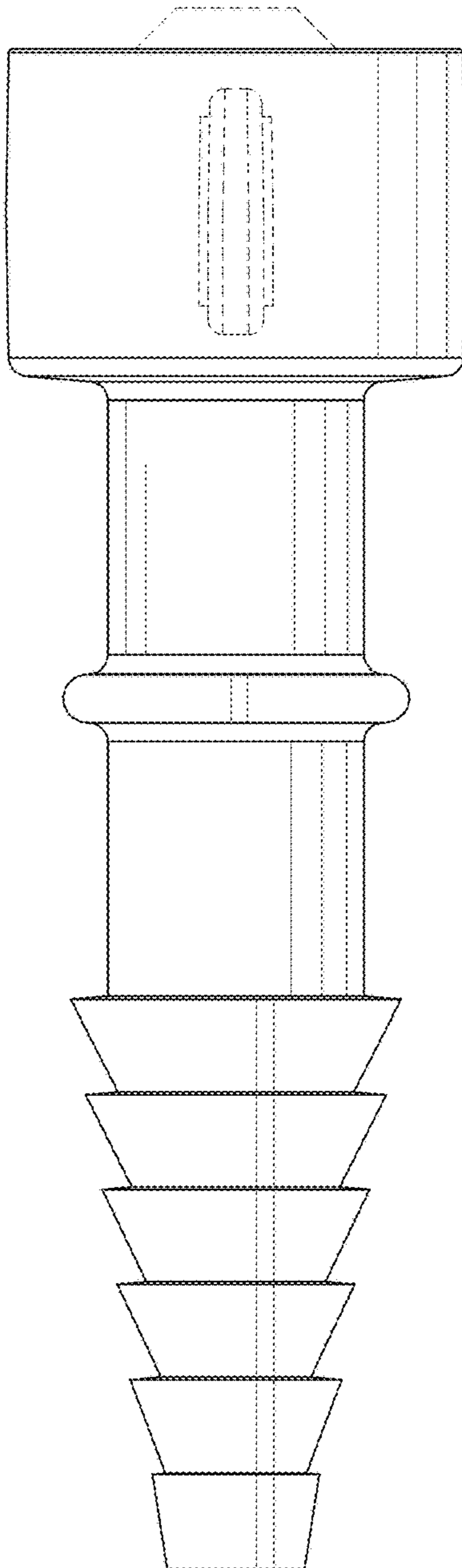


FIG. 3

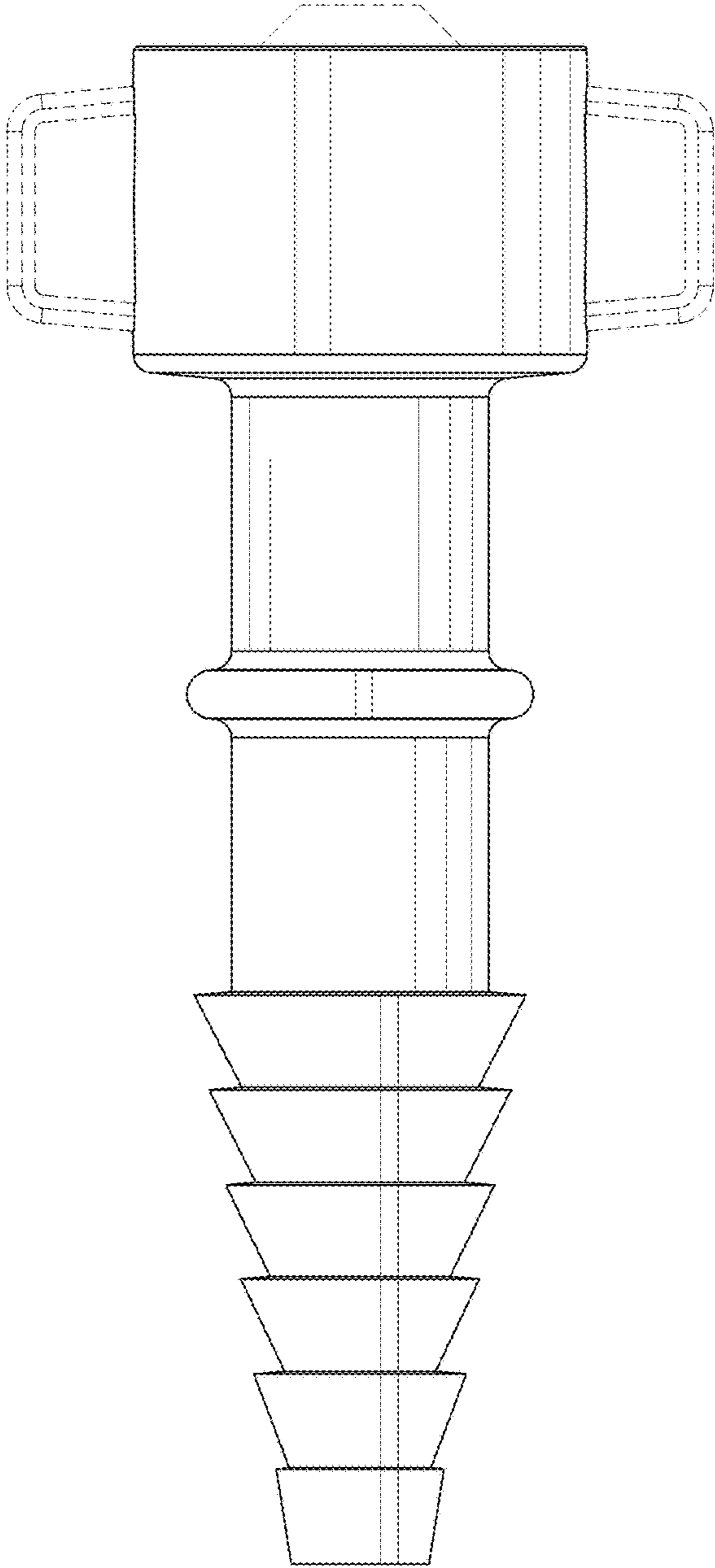


FIG. 4

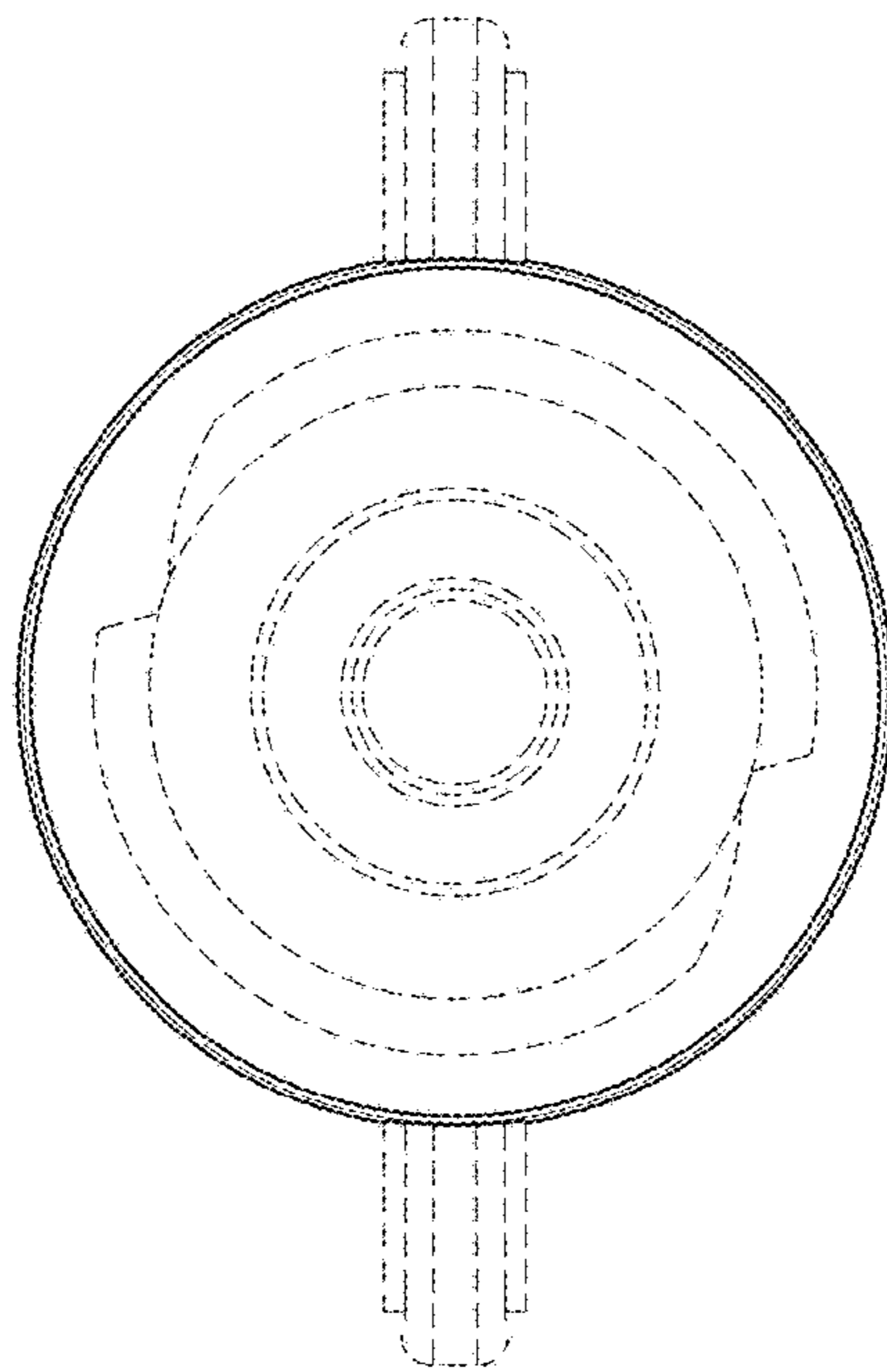


FIG. 5

