



US00D861157S

(12) **United States Design Patent**
Hubanks et al.

(10) **Patent No.:** **US D861,157 S**
(45) **Date of Patent:** **** Sep. 24, 2019**

(54) **USAGE MONITORING ATTACHMENT FOR AN INHALER**

(71) Applicant: **Reciprocal Labs Corporation,**
Madison, WI (US)

(72) Inventors: **David Hubanks,** Madison, WI (US);
Samuel A. Koblenki, Madison, WI (US); **Benjamin J. Kopp,** Madison, WI (US); **Justin Conrad Krosschell,** Sun Prairie, WI (US); **Amber Michelle Markey,** Madison, WI (US); **Leah J. Morrell,** Madison, WI (US); **Gregory F. Tracy,** Madison, WI (US); **John David Van Sickle,** Oregon, WI (US)

(73) Assignee: **RECIPROCAL LABS CORPORATION,** Madison, WI (US)

(**) Term: **15 Years**

(21) Appl. No.: **29/616,146**

(22) Filed: **Sep. 1, 2017**

(51) **LOC (12) Cl.** **29-02**

(52) **U.S. Cl.**
USPC **D24/110; D24/127**

(58) **Field of Classification Search**
USPC D24/107, 108, 110, 127, 129, 164
CPC A61M 15/008; A61M 15/0065; A61M 15/0068; A61M 15/00; A61M 15/0071; A61M 11/00
See application file for complete search history.

(56) **References Cited**

U.S. PATENT DOCUMENTS

D527,815 S * 9/2006 Nishibayashi D24/110
D527,816 S * 9/2006 Nishibayashi D24/110

D527,817 S * 9/2006 Ziegler D24/110
D528,654 S * 9/2006 Nishibayashi D24/110
D636,866 S * 4/2011 Kopp D24/110
D697,616 S * 1/2014 Berry D24/110
D774,178 S * 12/2016 Van Sickle D24/110
D777,904 S * 1/2017 Van Sickle D24/110
D818,112 S * 5/2018 Van Sickle D24/110

FOREIGN PATENT DOCUMENTS

EM 004728608-0002 * 4/2018
WO WO2018/160073 A1 9/2018

* cited by examiner

Primary Examiner — Karen E Kearney

Assistant Examiner — Lilyana Bekic

(74) *Attorney, Agent, or Firm* — Fenwick & West LLP

(57) **CLAIM**

The ornamental design for a usage monitoring attachment for an inhaler, as shown and described.

DESCRIPTION

FIG. 1 is a front, top, and right side perspective view of a usage monitoring attachment for an inhaler;

FIG. 2 is a rear, bottom, and left side perspective view thereof;

FIG. 3 is a front view thereof;

FIG. 4 is a rear view thereof;

FIG. 5 is a left side view thereof;

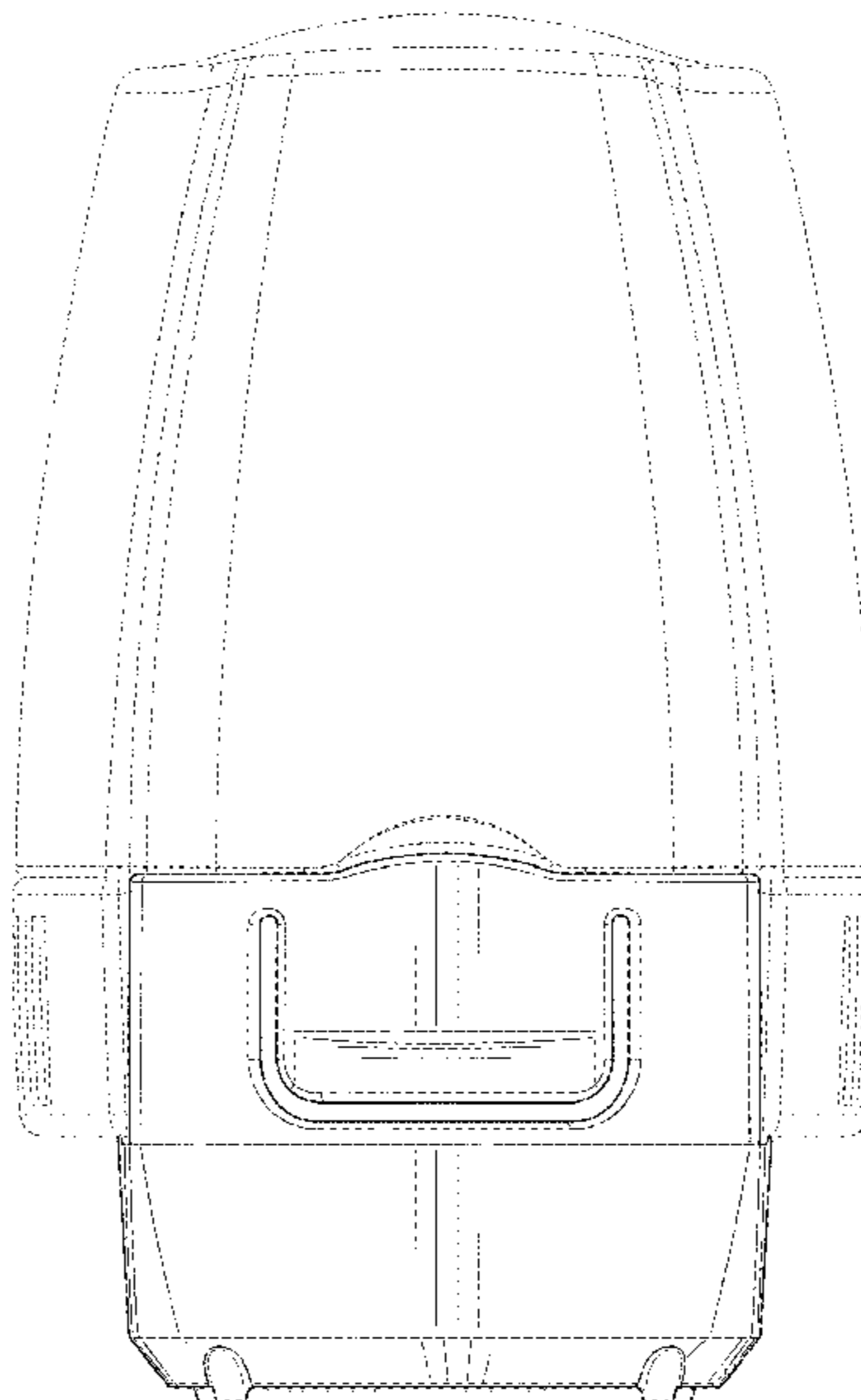
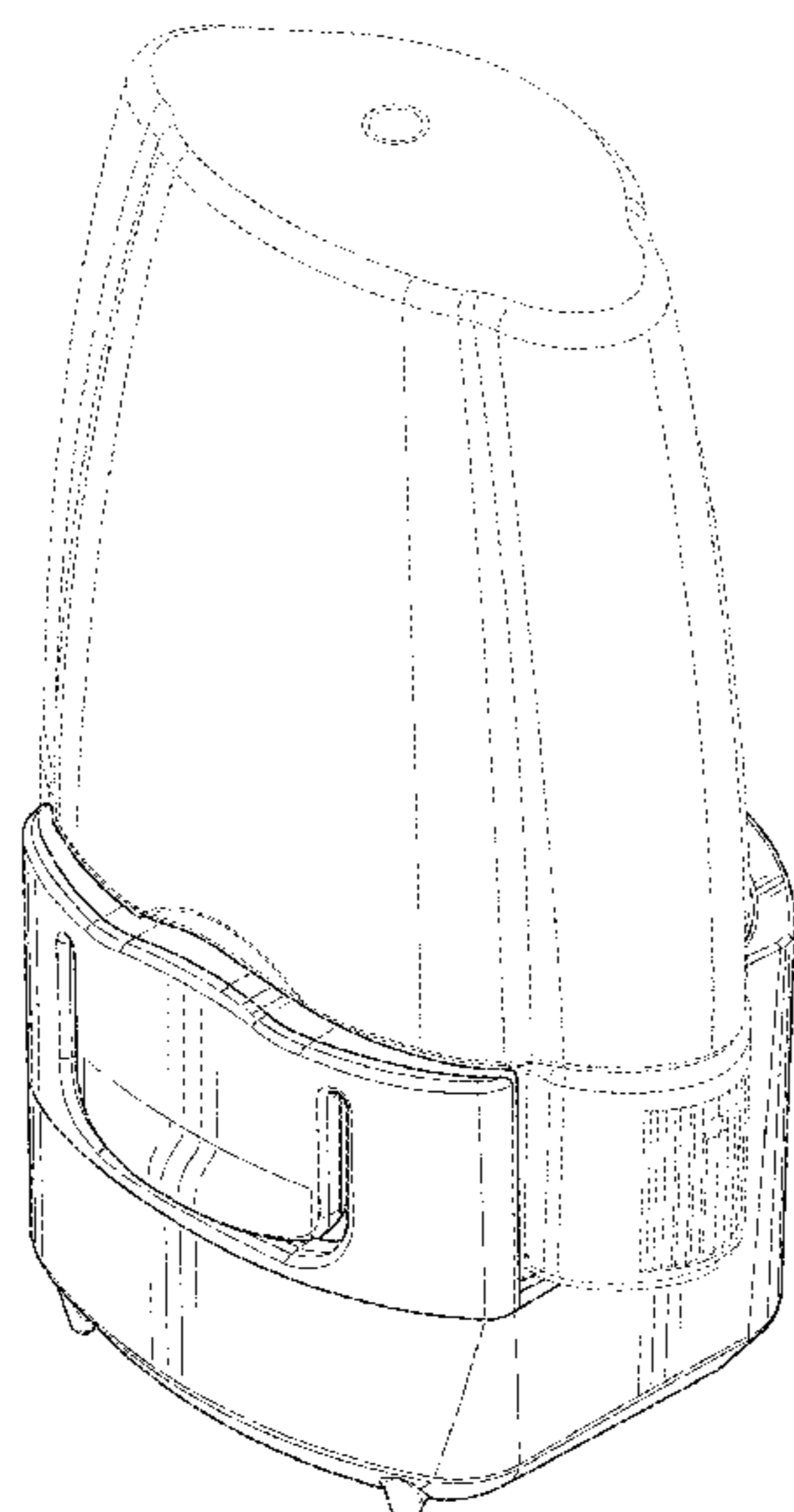
FIG. 6 is a right side view thereof;

FIG. 7 is a top view thereof; and,

FIG. 8 is a bottom view thereof.

The broken line showing of the inhaler depicts environmental structure and forms no part of the claimed design. All other broken lines depict portions of the usage monitoring attachment for an inhaler that form no part of the claimed design.

1 Claim, 8 Drawing Sheets



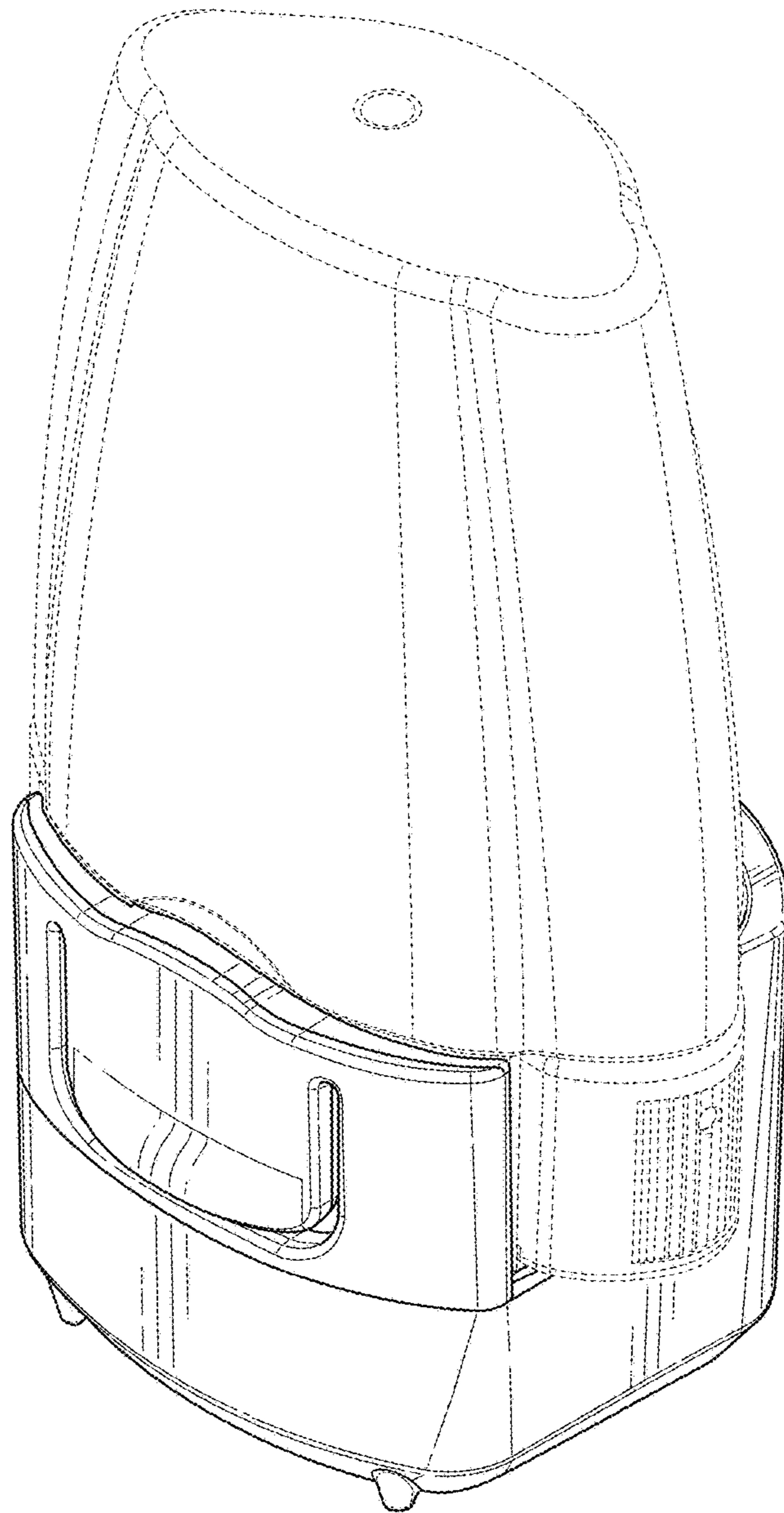


FIG. 1

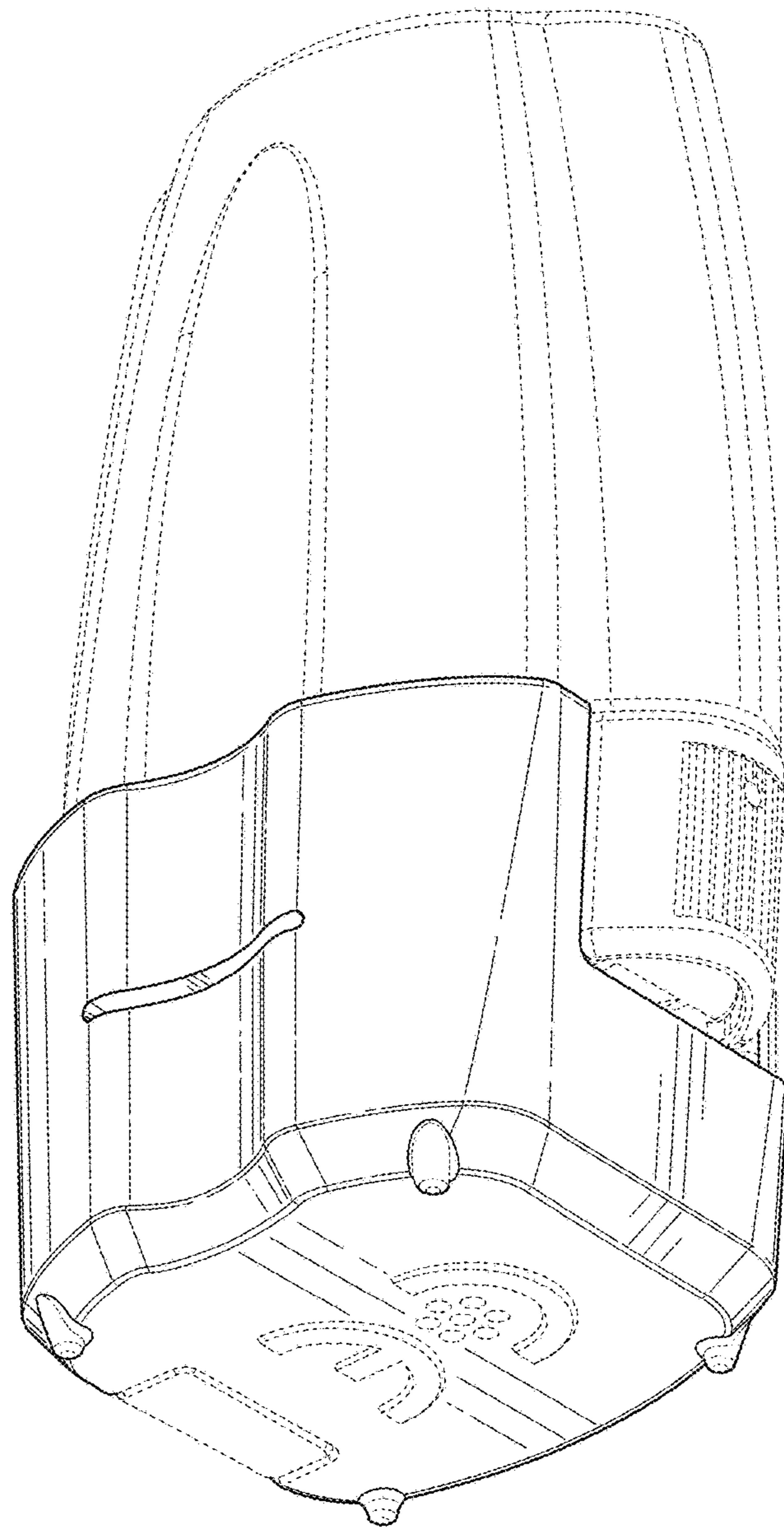


FIG. 2

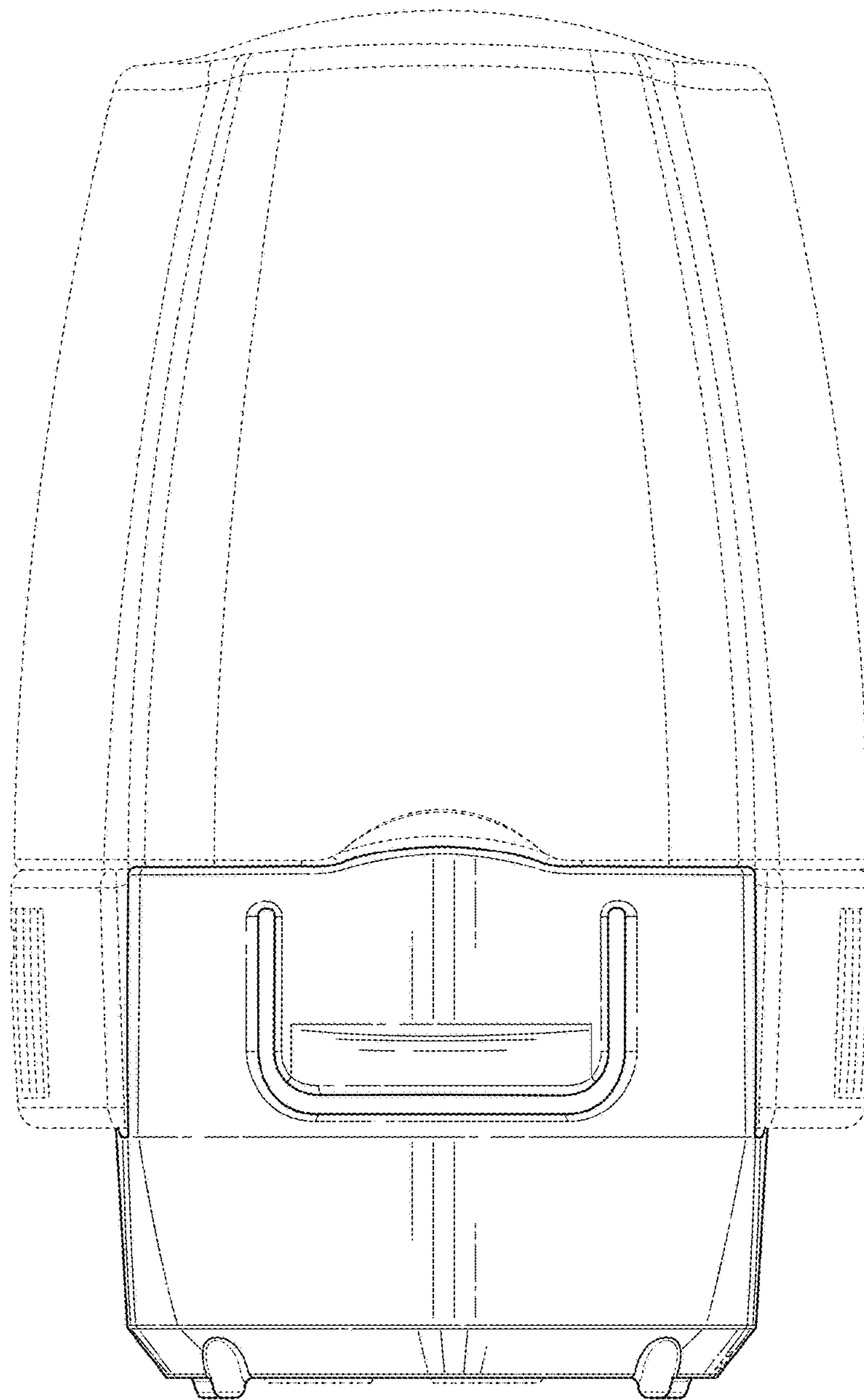


FIG. 3

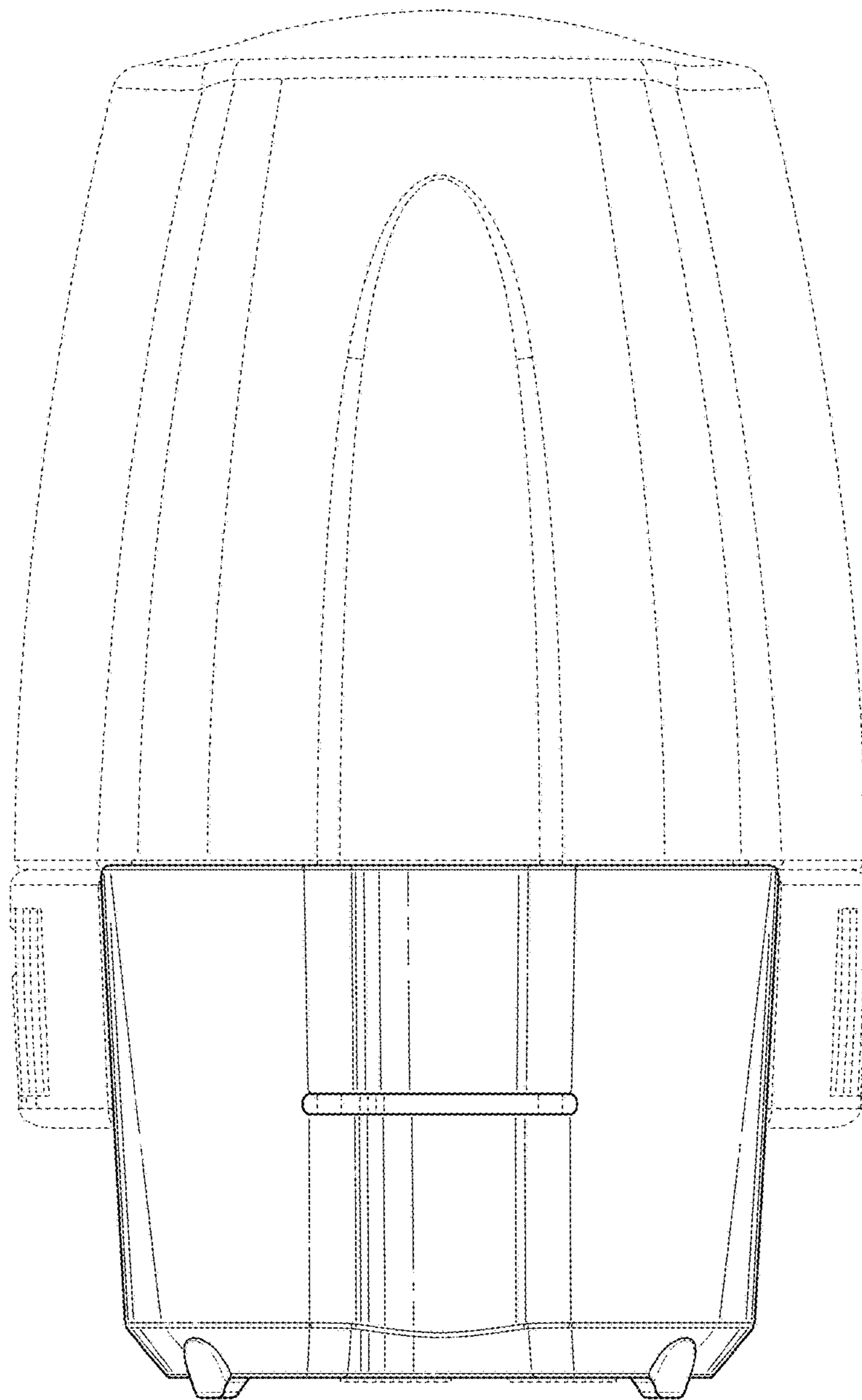


FIG. 4

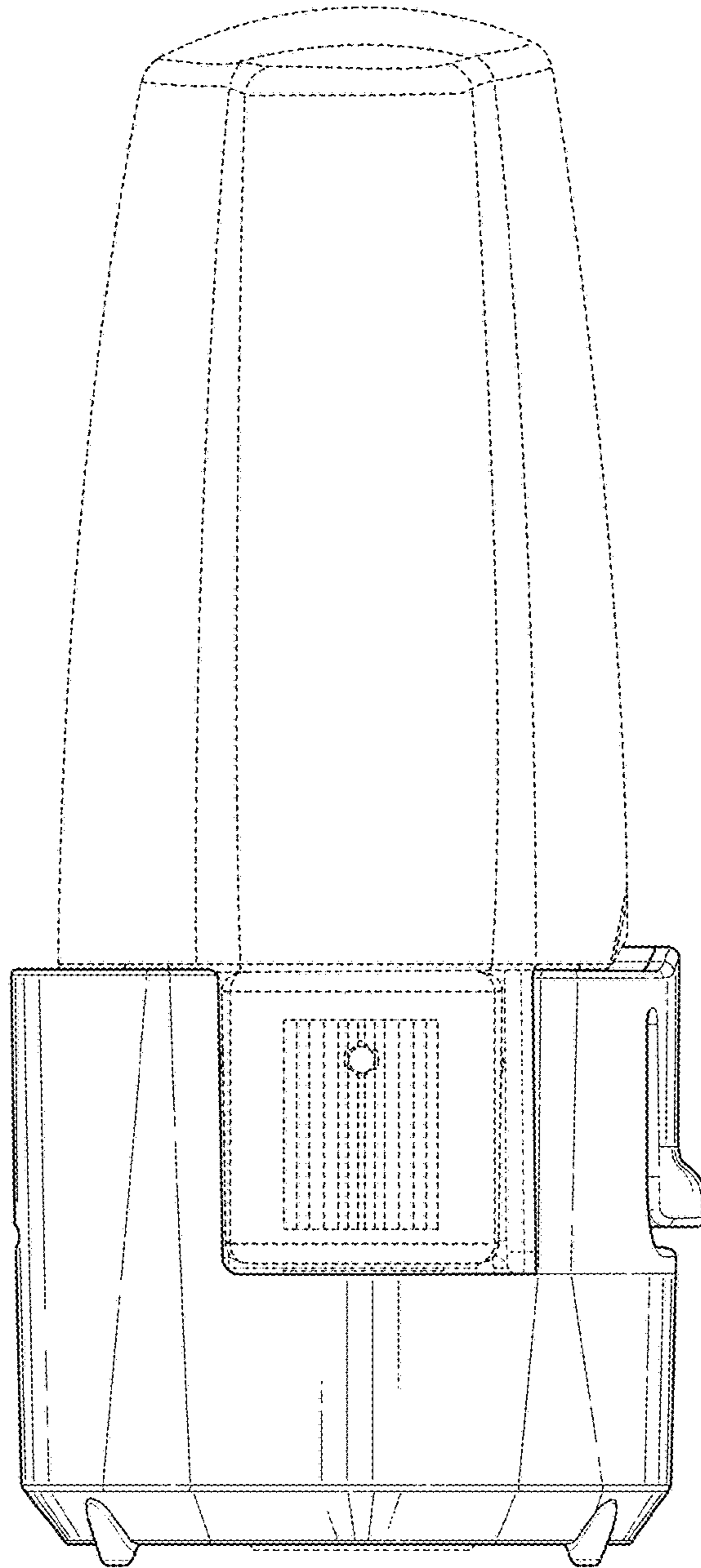


FIG. 5

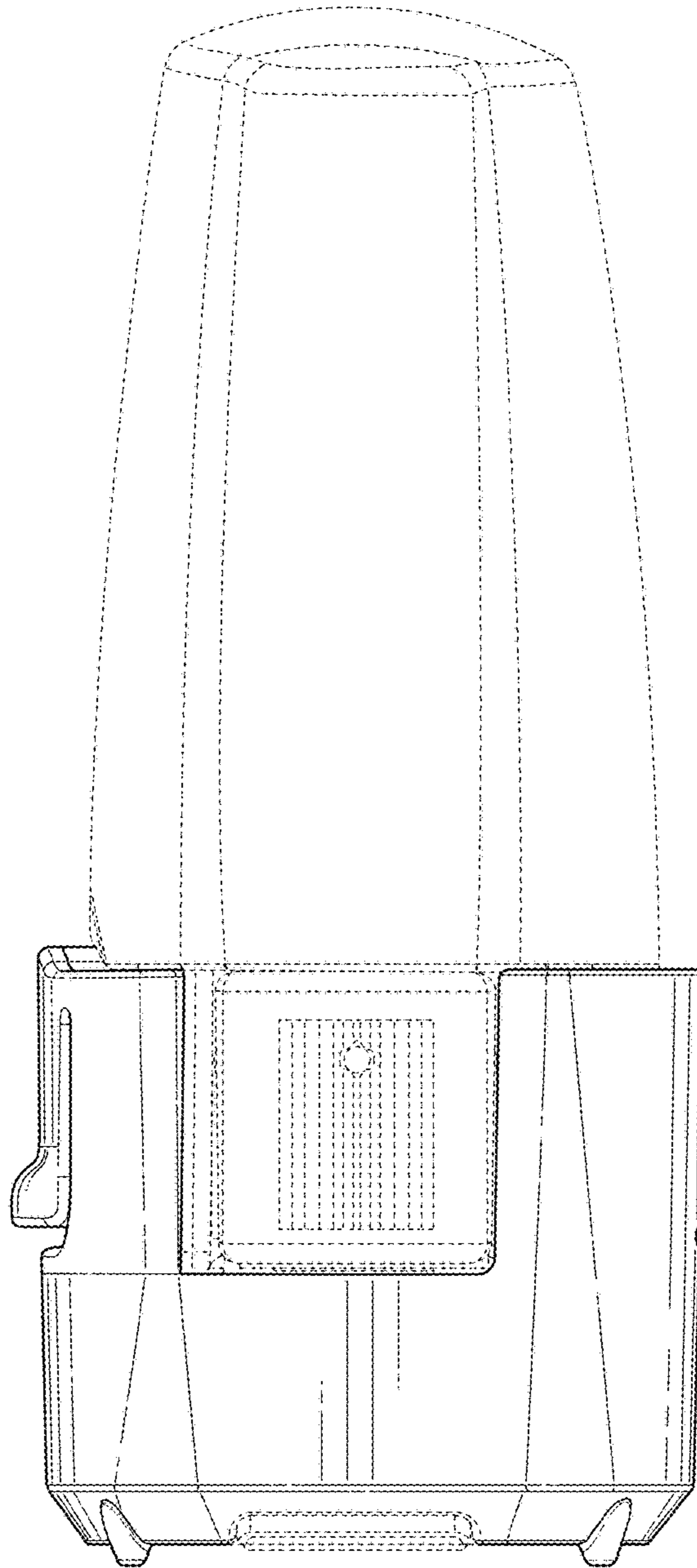


FIG. 6

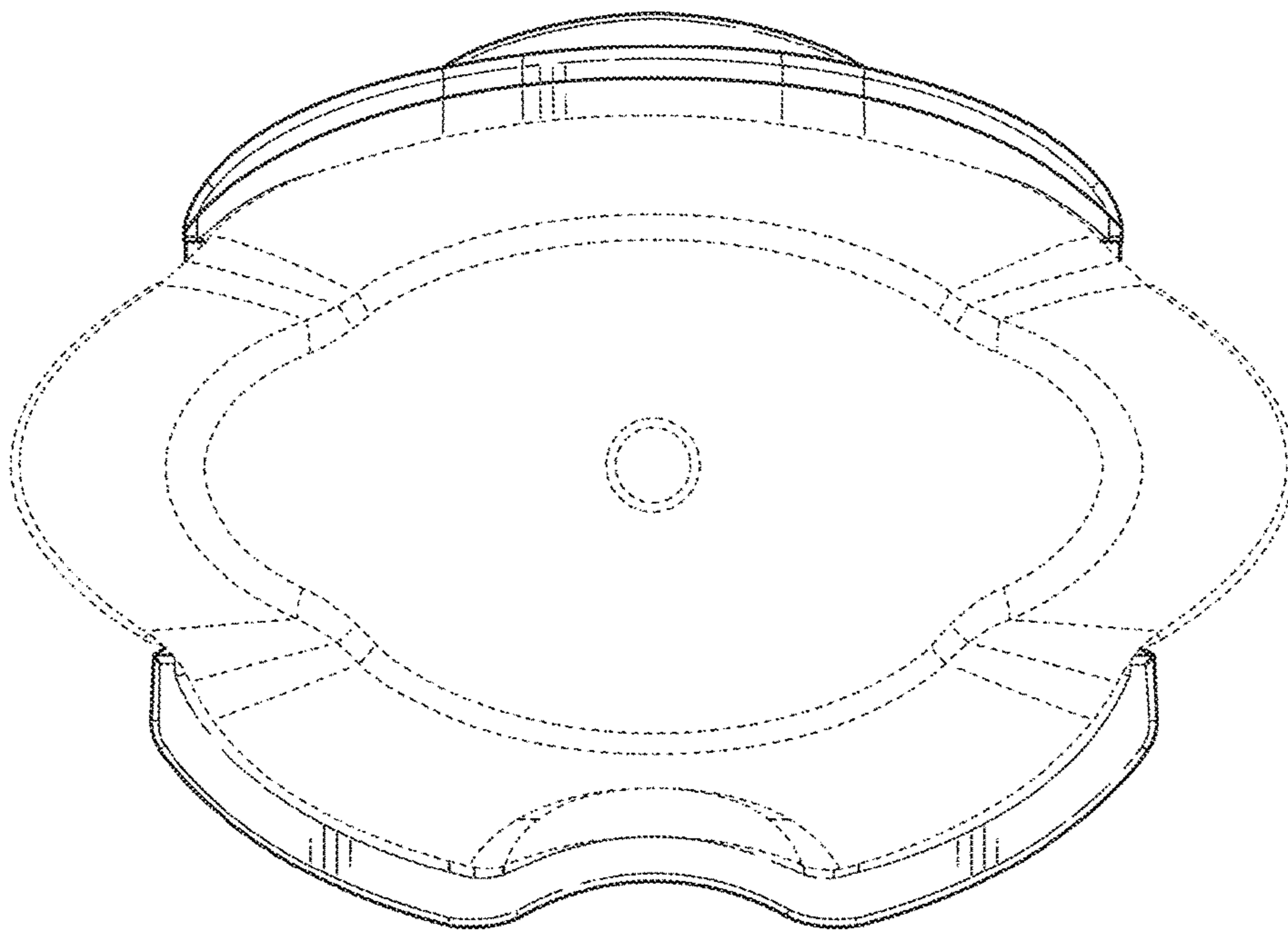


FIG. 7

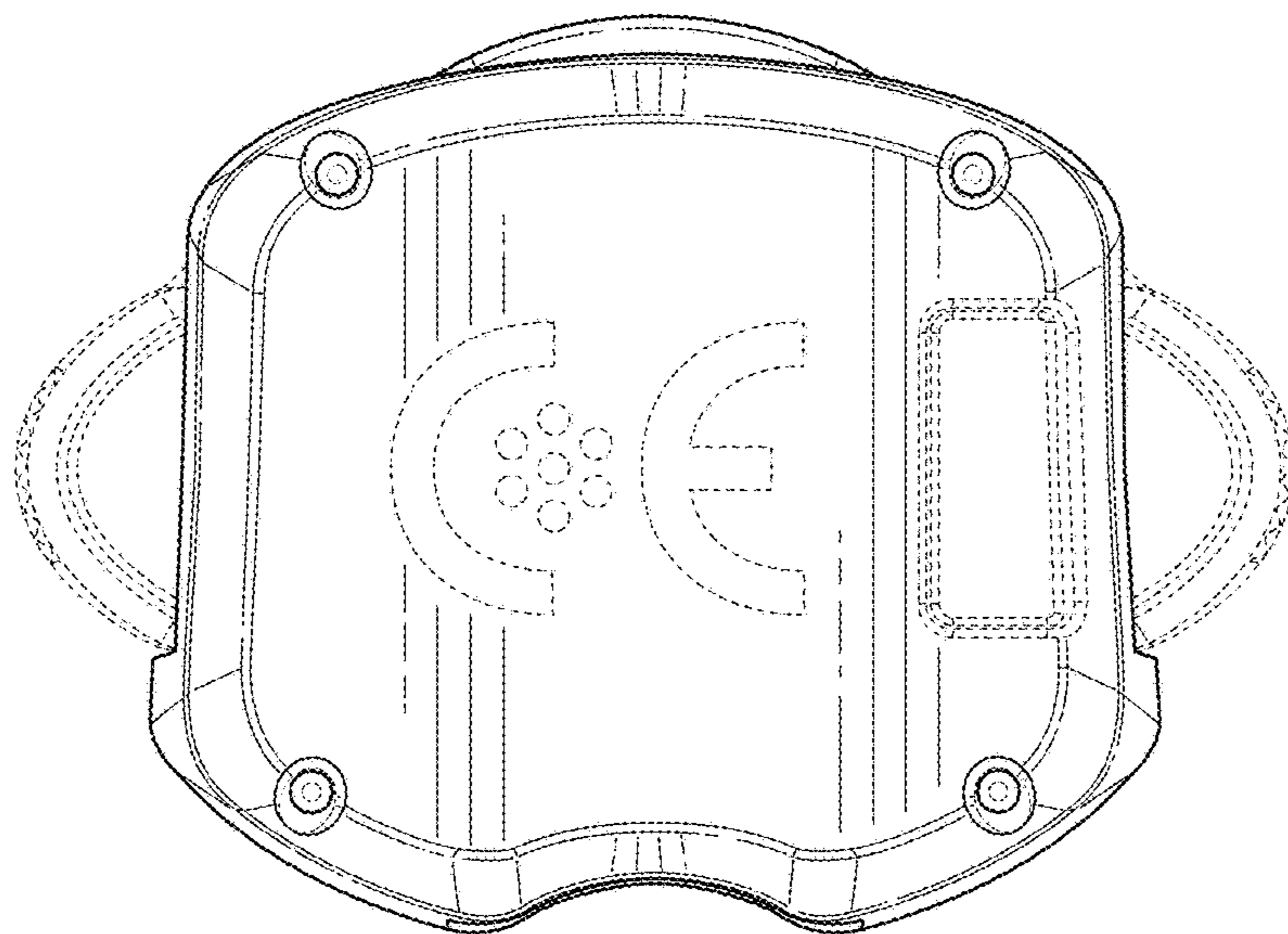


FIG. 8