



US00D861156S

(12) **United States Design Patent** (10) **Patent No.:** **US D861,156 S**
Greenhalgh et al. (45) **Date of Patent:** **** Sep. 24, 2019**

(54) **GUIDEWIRE**

(71) Applicants: **Travis Greenhalgh**, Boca Raton, FL (US); **Andrew Shoup**, Delray Beach, FL (US); **Sean Biro**, Boca Raton, FL (US); **Walter Biro**, Boca Raton, FL (US)

(72) Inventors: **Travis Greenhalgh**, Boca Raton, FL (US); **Andrew Shoup**, Delray Beach, FL (US); **Sean Biro**, Boca Raton, FL (US); **Walter Biro**, Boca Raton, FL (US)

(73) Assignee: **SurGenTec, LLC**, Boca Raton, FL (US)

(**) Term: **15 Years**

(21) Appl. No.: **29/609,544**

(22) Filed: **Jun. 30, 2017**

(51) **LOC (12) Cl.** **24-01**

(52) **U.S. Cl.**
USPC **D24/108**

(58) **Field of Classification Search**
USPC D24/133, 140, 147, 108
(Continued)

(56) **References Cited**

U.S. PATENT DOCUMENTS

4,881,534 A * 11/1989 Uhl A61B 17/1604
606/84
5,092,345 A * 3/1992 Sakita A61B 10/04
600/570

(Continued)

Primary Examiner — Susan Bennett Hattan

Assistant Examiner — Lauren D McVey

(74) *Attorney, Agent, or Firm* — Knobbe Martens Olson & Bear, LLP

(57) **CLAIM**

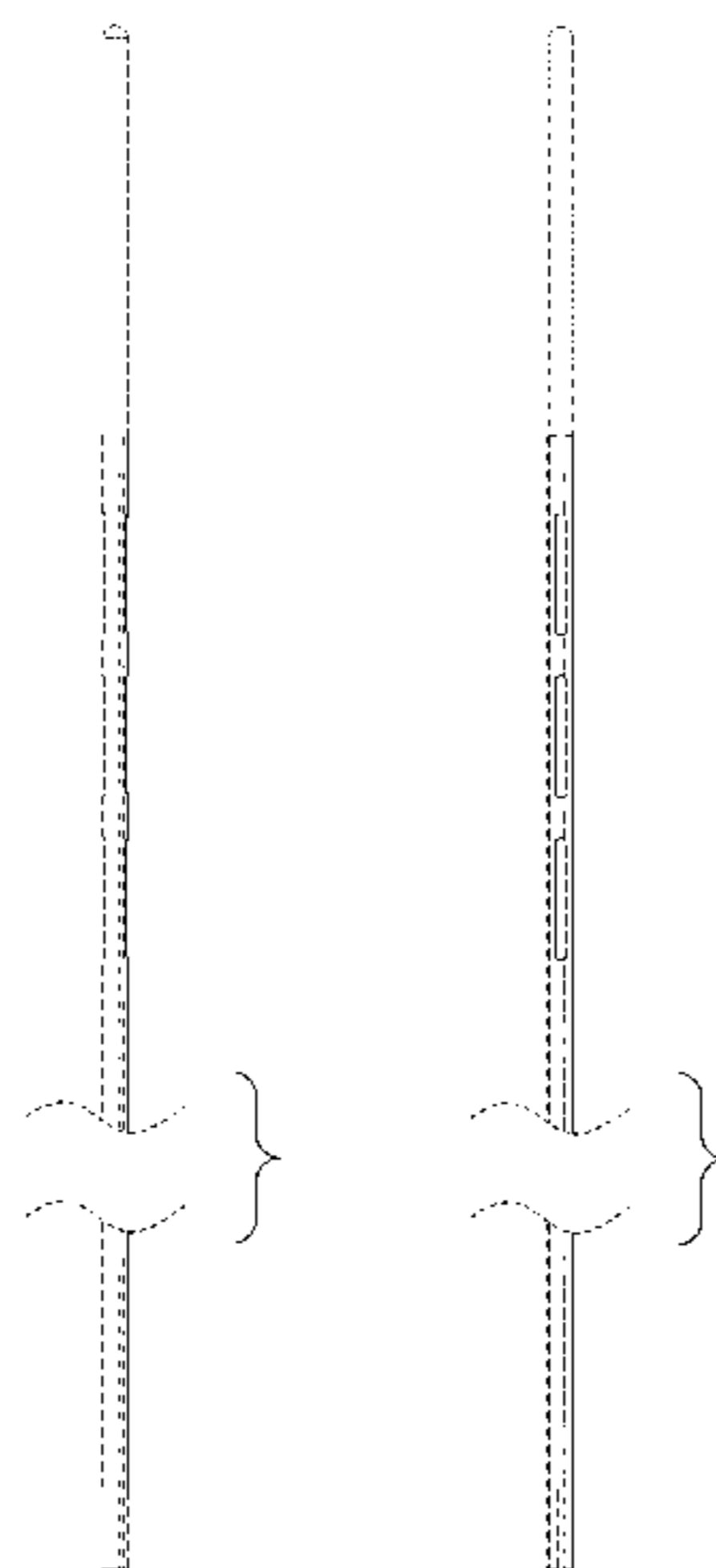
The ornamental design for a guidewire, as shown and described herein.

DESCRIPTION

FIG. 1 is a perspective view of a first embodiment of a guidewire showing our new design;
FIG. 2 is an enlarged view of the first embodiment;
FIG. 3 is an enlarged view the first embodiment;
FIG. 4 is a left side view of the first embodiment;
FIG. 5 is a right side view of the first embodiment;
FIG. 6 is a front view of the first embodiment;
FIG. 7 is a rear view of the first embodiment;
FIG. 8 is a top view showing the distal end of the first embodiment;
FIG. 9 is a bottom view showing the proximal end of the first embodiment;
FIG. 10 is a perspective view of a second embodiment of a guidewire showing our new design;
FIG. 11 is an enlarged view of the second embodiment;
FIG. 12 is an enlarged view of the second embodiment;
FIG. 13 is a left side view of the second embodiment;
FIG. 14 is a right side view of the second embodiment;
FIG. 15 is a front view of the second embodiment;
FIG. 16 is a rear view of the second embodiment;
FIG. 17 is a top view showing the distal end of the second embodiment; and,
FIG. 18 is a bottom view showing the proximal end of the second embodiment.

The dot-dash broken lines and evenly spaced broken lines immediately adjacent to the shaded areas represent the bounds of the claimed design, and form no part of the claimed design. All other evenly spaced broken lines are directed to environment. The dot-dot-dash broken lines encircling portions of the claimed design in FIGS. 2 & 3 and 11 & 12 that are illustrated in enlargements in FIGS. 1 and 10, respectively, form no part of the claimed design. In addition, the broken away bracket symbols with dotted broken lines in the drawings indicate that any portion of the article beyond what is shown forms no part of the claimed design.

1 Claim, 10 Drawing Sheets



(58) **Field of Classification Search**

CPC A61M 25/09; A61B 5/0002; A61B 6/12;
A61B 17/22; A61B 17/32; A61B 17/00
See application file for complete search history.

(56) **References Cited**

U.S. PATENT DOCUMENTS

5,236,414 A * 8/1993 Takasu A61B 17/22012
601/3
5,595,563 A * 1/1997 Moisdon A61B 17/8866
128/899
6,004,326 A * 12/1999 Castro A61B 17/025
606/99
D478,165 S * 8/2003 Hechel D24/108
D497,509 S * 10/2004 Nelson D24/108
D497,764 S * 11/2004 Nelson D24/108
D585,989 S * 2/2009 Leroy D24/146
D636,490 S * 4/2011 Koros D24/147
D723,682 S * 3/2015 Kleiner D24/133
D809,140 S * 1/2018 Sasayama D24/147
2010/0174326 A1 * 7/2010 Selover A61B 17/00234
606/86 A

* cited by examiner

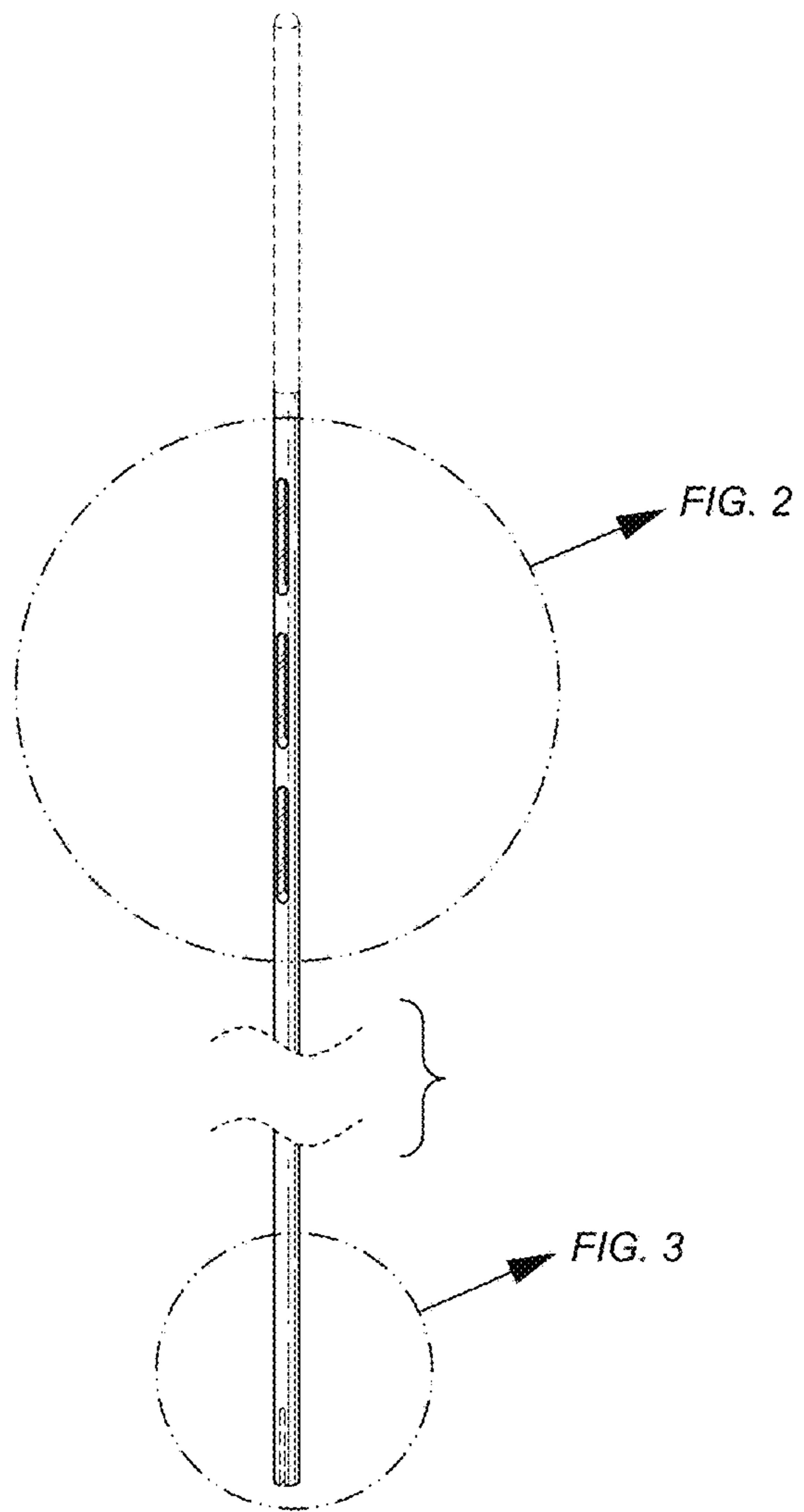


FIG. 1

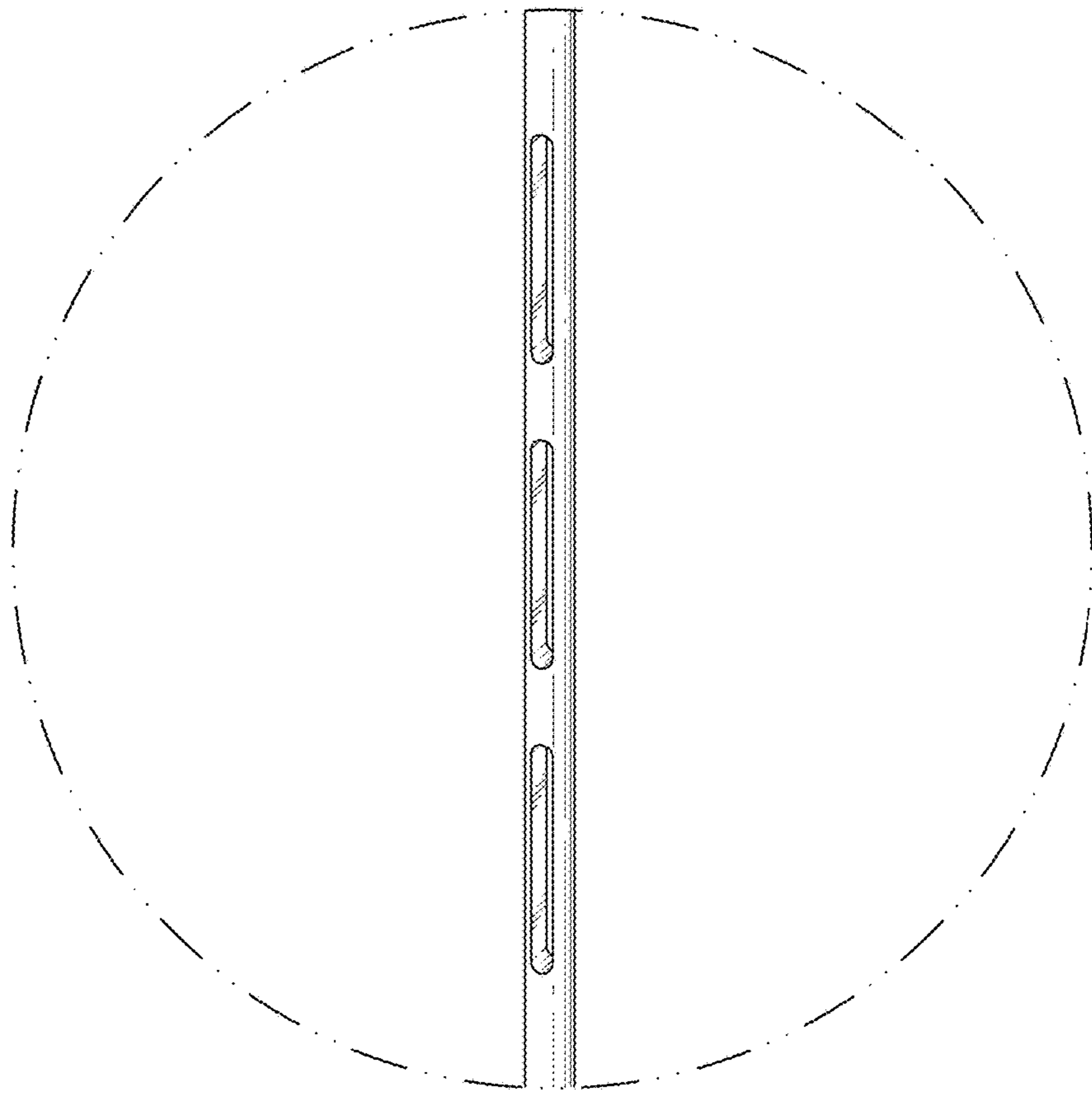


FIG. 2

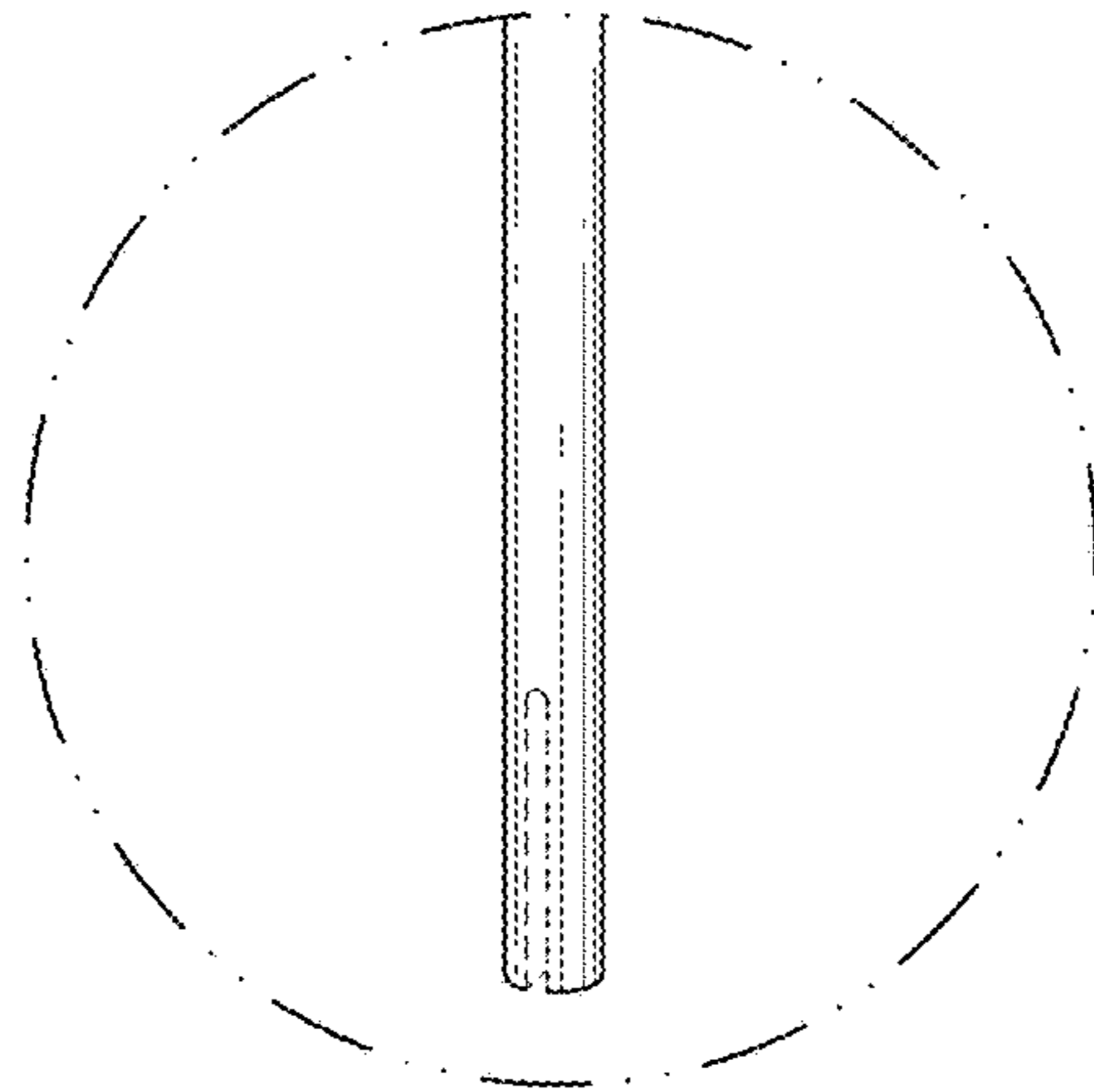


FIG. 3

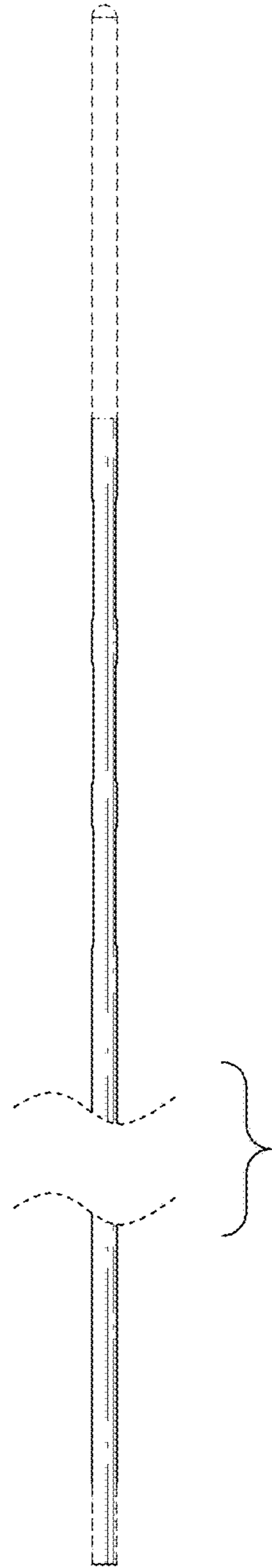


FIG. 4

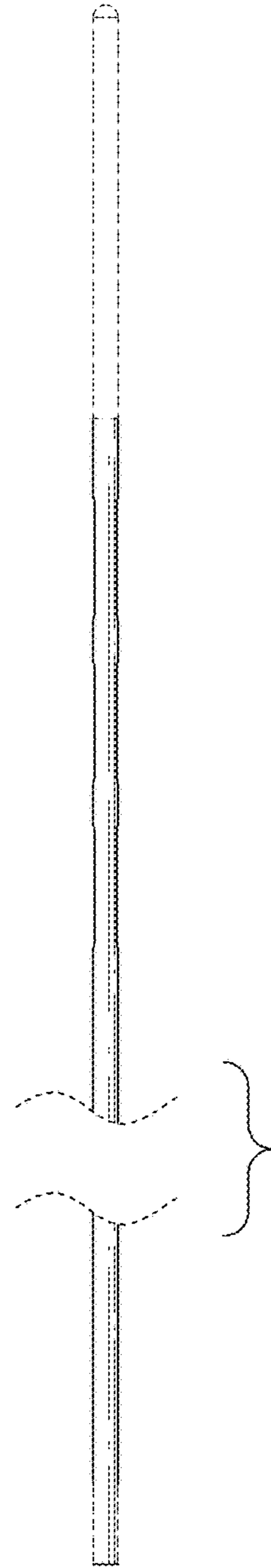


FIG. 5

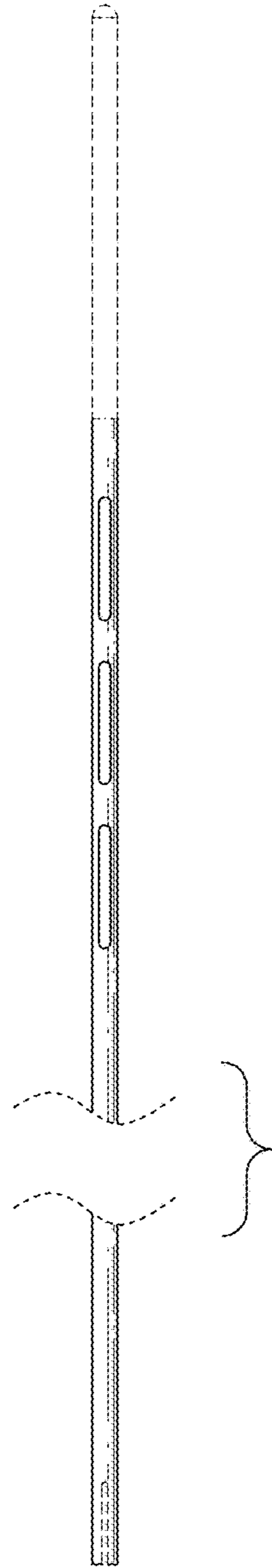


FIG. 6

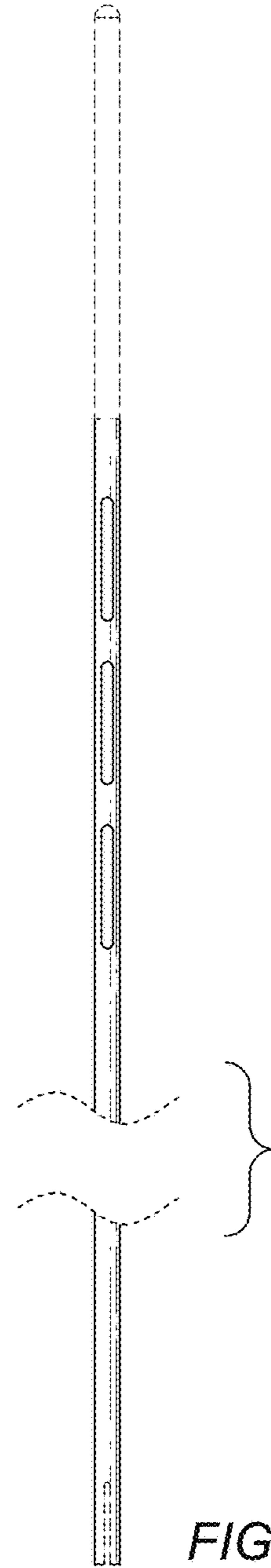


FIG. 7

FIG. 8 ○

FIG. 9 ⊕

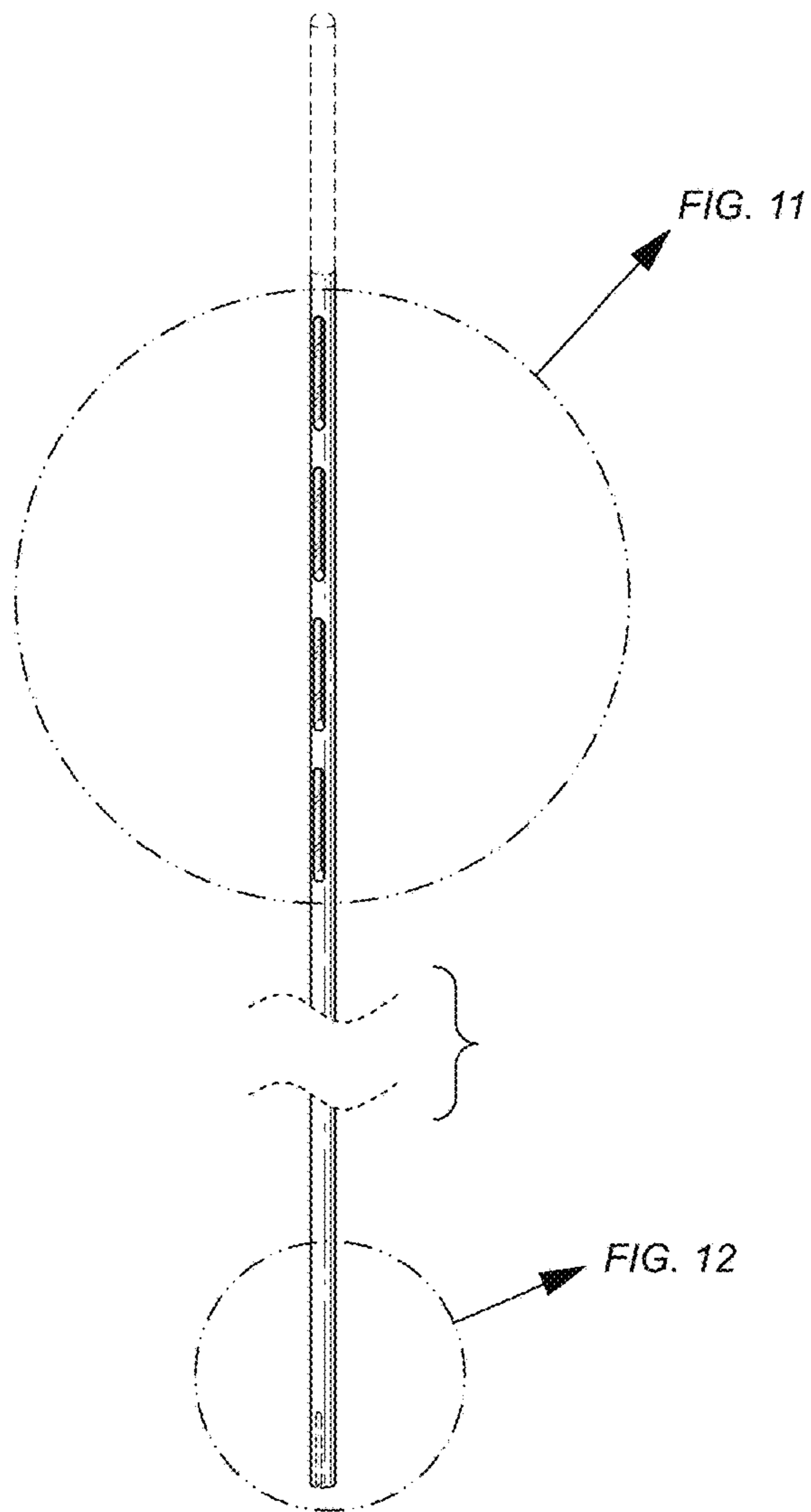


FIG. 10

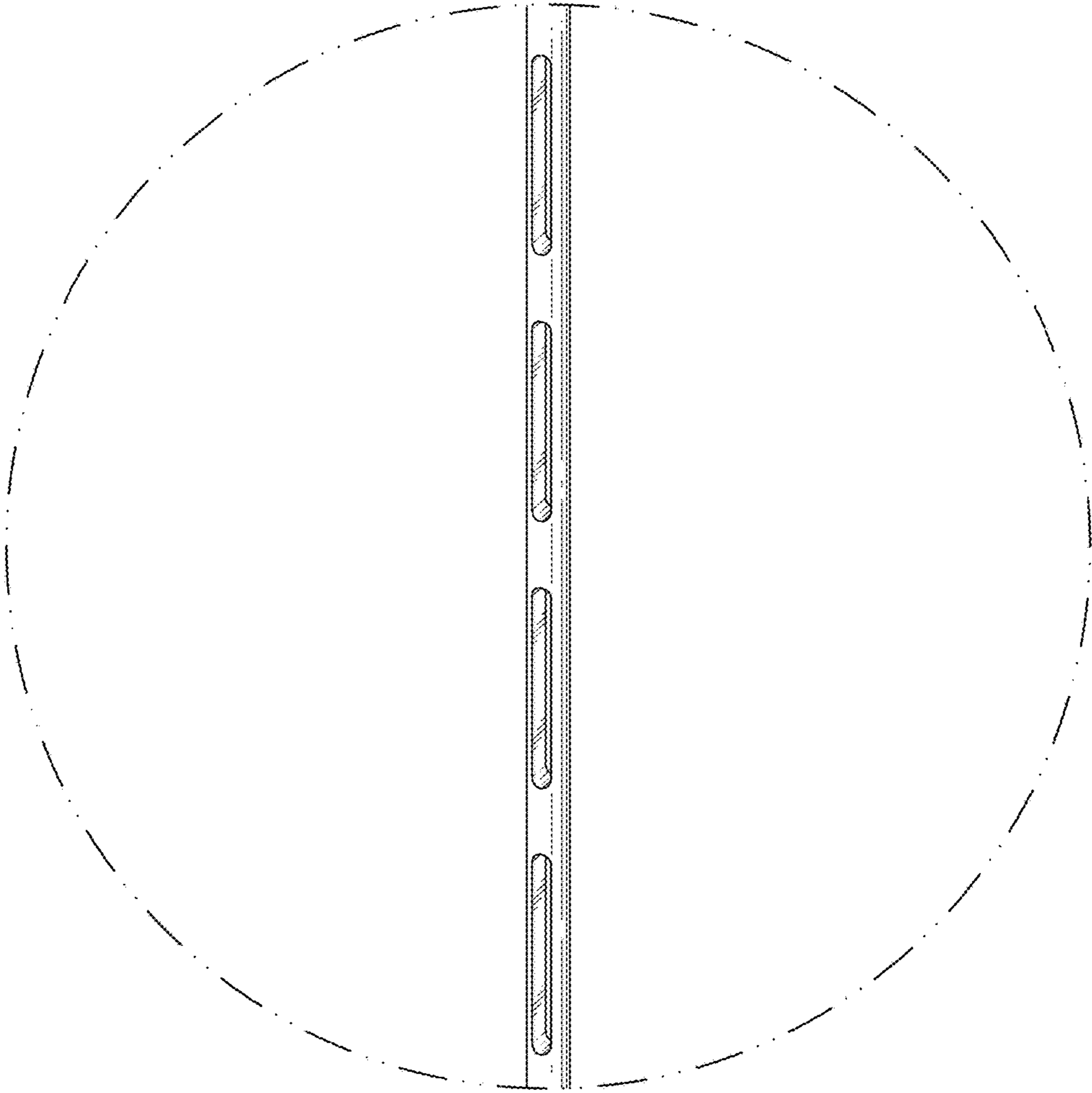


FIG. 11

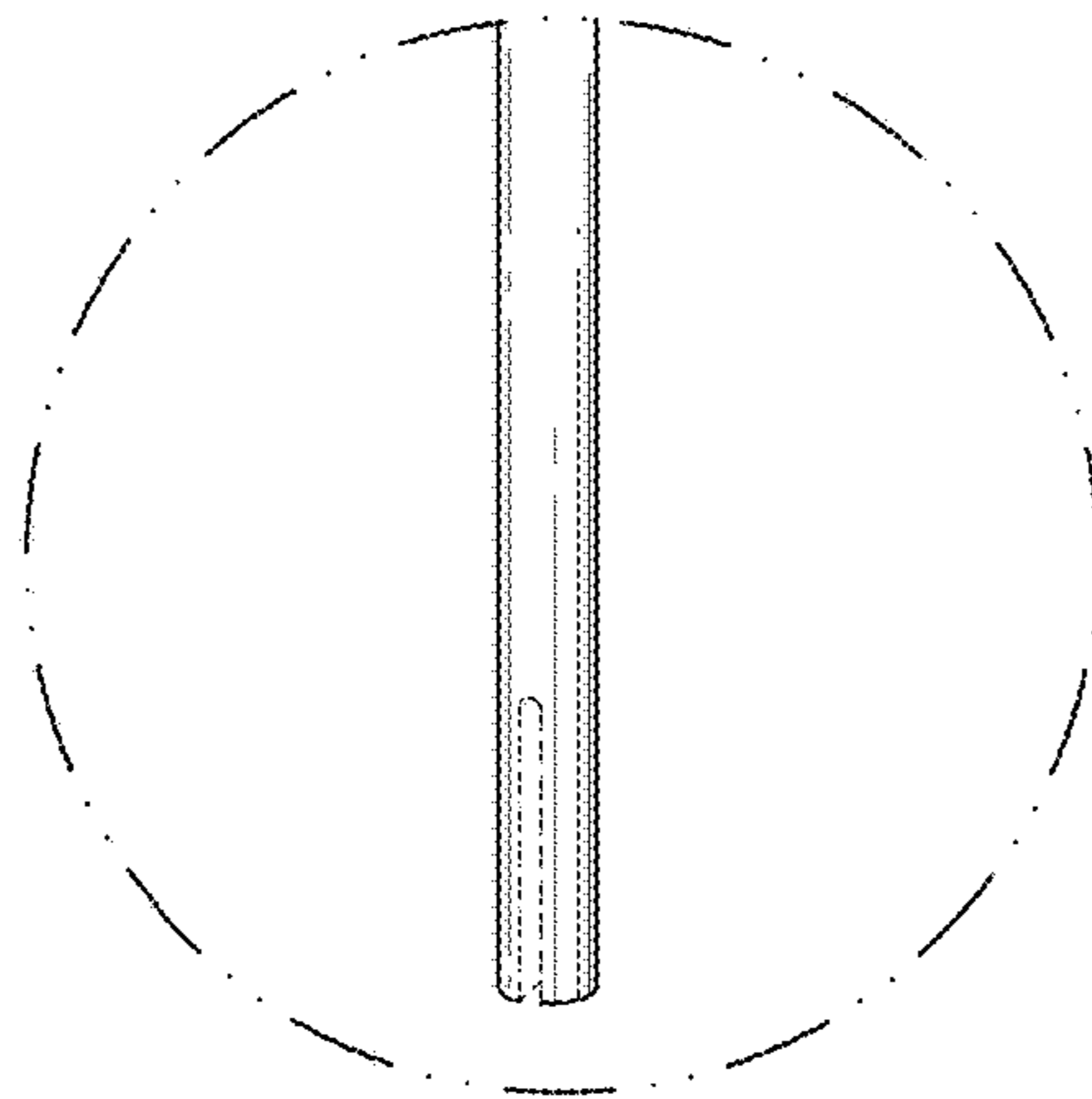


FIG. 12

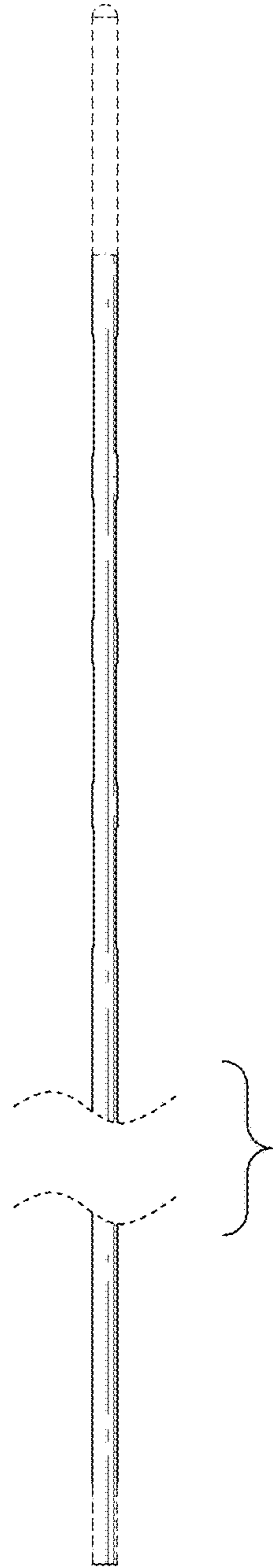


FIG. 13

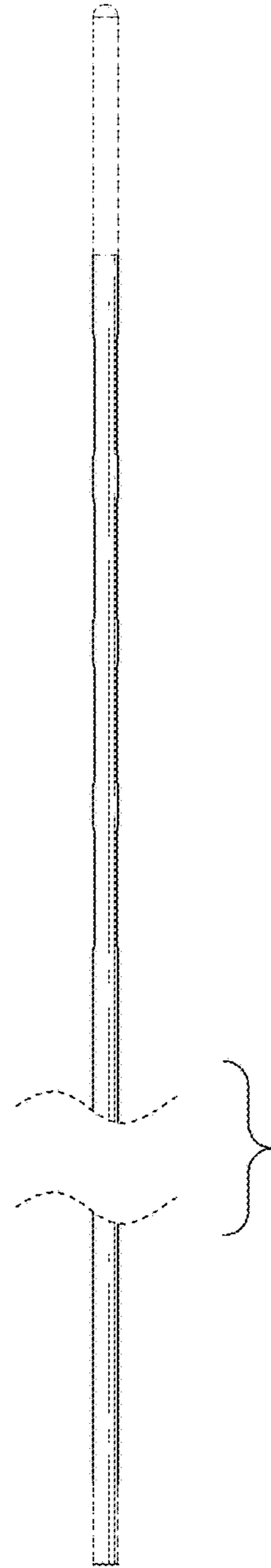


FIG. 14

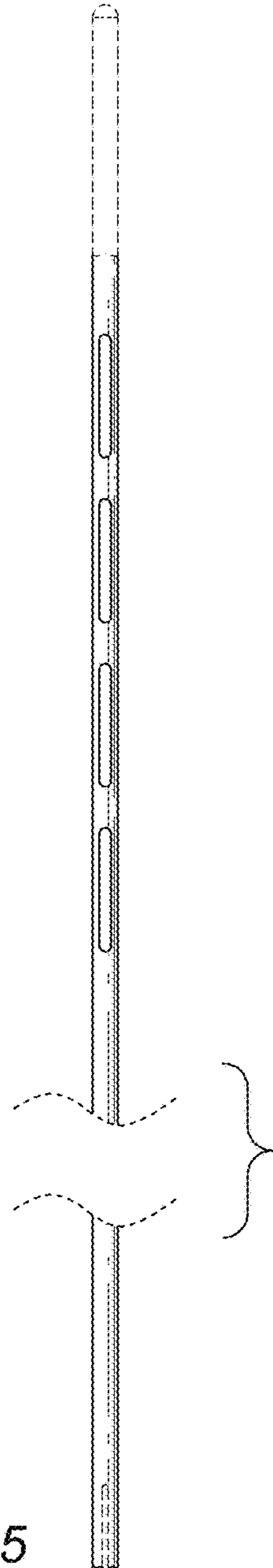


FIG. 15

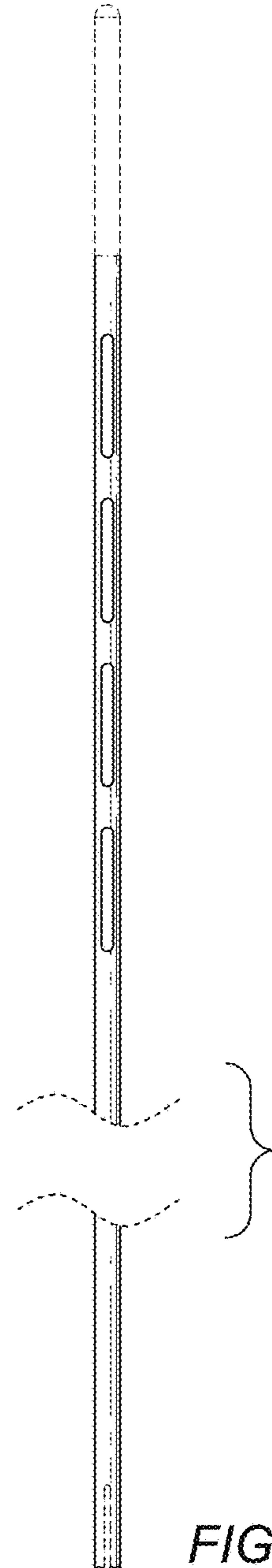


FIG. 16

FIG. 17 ○

FIG. 18 ⊕