



US00D861154S

(12) **United States Design Patent**
Biancuzzo

(10) **Patent No.:** **US D861,154 S**

(45) **Date of Patent:** **** Sep. 24, 2019**

(54) **CEILING FAN**

(71) Applicant: **AIR COOL INDUSTRIAL CO., LTD.**, Taichung (TW)

(72) Inventor: **Francisco Biancuzzo**, Davie, FL (US)

(73) Assignee: **AIR COOL INDUSTRIAL CO., LTD.**, Taichung (TW)

(**) Term: **15 Years**

(21) Appl. No.: **29/631,248**

(22) Filed: **Dec. 28, 2017**

(51) **LOC (12) Cl.** **23-03**

(52) **U.S. Cl.**
USPC **D23/411**

(58) **Field of Classification Search**
USPC D23/370-385, 411-414; D26/59, 85, 86,
D26/89, 90, 88, 110
CPC F04D 25/088; F04D 29/38; F04D 29/384;
F04D 29/386; F21V 33/0096
See application file for complete search history.

(56) **References Cited**

U.S. PATENT DOCUMENTS

D483,847 S	*	12/2003	Tai	D23/377
D488,554 S	*	4/2004	Bacon	D23/411
D536,086 S	*	1/2007	Pan	D23/411
D549,866 S	*	8/2007	Pan	D26/59
D570,532 S	*	6/2008	Camarota	D26/120

D583,984 S	*	12/2008	Takahashi	D26/89
D596,734 S	*	7/2009	Kihara	D23/377
D599,458 S	*	9/2009	Love	D23/377
D632,381 S	*	2/2011	Davenport	D23/377
D789,511 S	*	6/2017	Wang	D23/377
D800,289 S	*	10/2017	Guthrie	D23/377
D805,175 S	*	12/2017	Haggar	D23/377

* cited by examiner

Primary Examiner — Cathron C Brooks

Assistant Examiner — Sharon S Oum

(74) *Attorney, Agent, or Firm* — Pai Patent & Trademark Law Firm; Chao-Chang David Pai

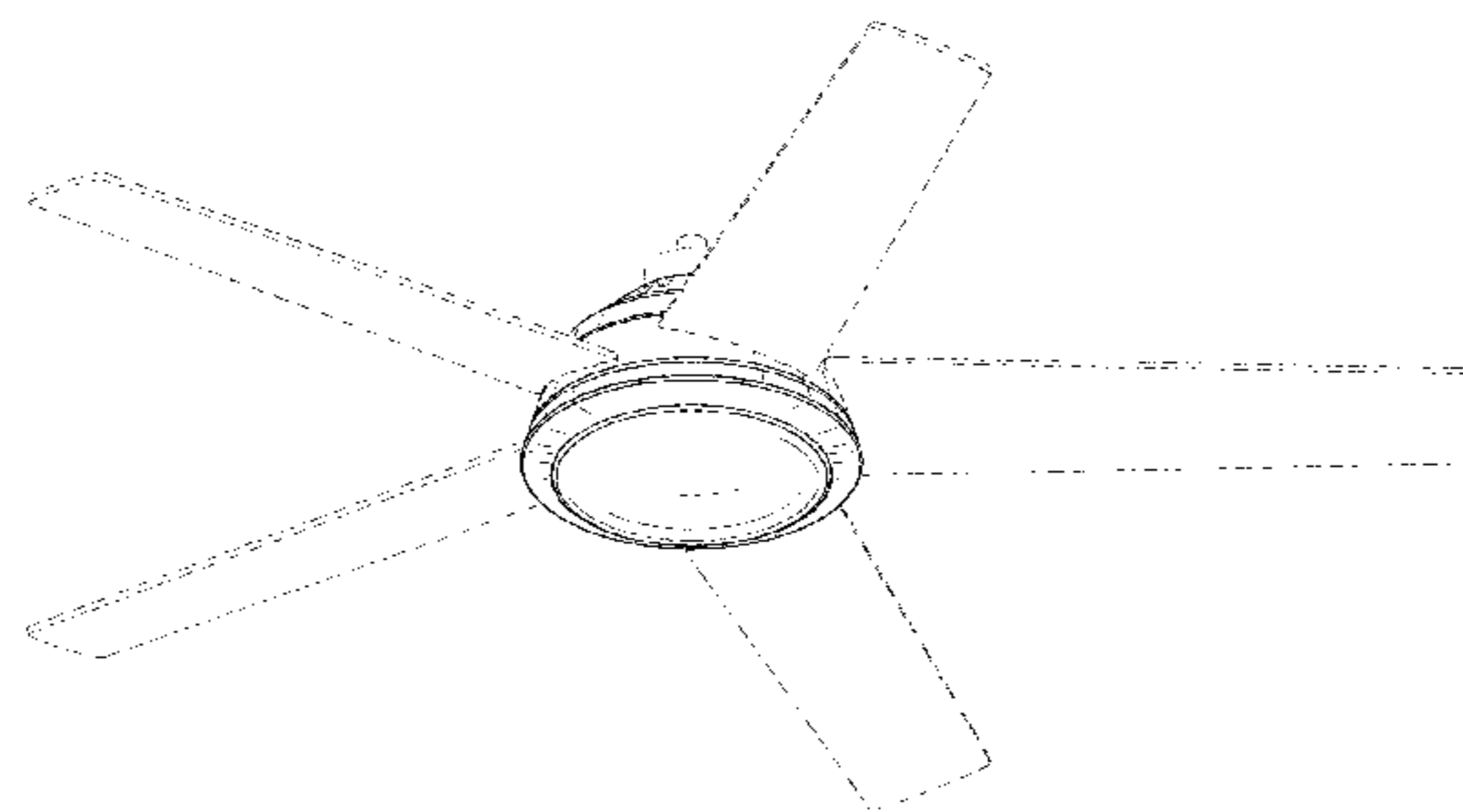
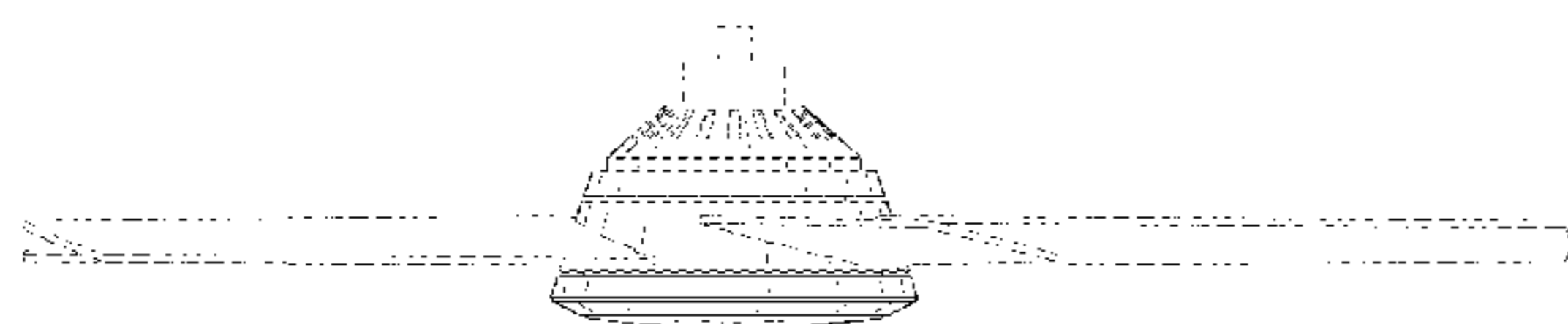
(57) **CLAIM**

The ornamental design for a ceiling fan, as shown and described.

DESCRIPTION

FIG. 1 is a front top perspective view of a ceiling fan showing my new design;
FIG. 2 is a front elevational view thereof;
FIG. 3 is a rear elevational view thereof;
FIG. 4 is a left side elevational view thereof;
FIG. 5 is a right side elevational view thereof;
FIG. 6 is a top plan view thereof;
FIG. 7 is a bottom plan view thereof; and,
FIG. 8 is a front bottom perspective view thereof.
The broken lines are for the purpose of illustrating environmental structure and form no part of the claimed design.

1 Claim, 6 Drawing Sheets



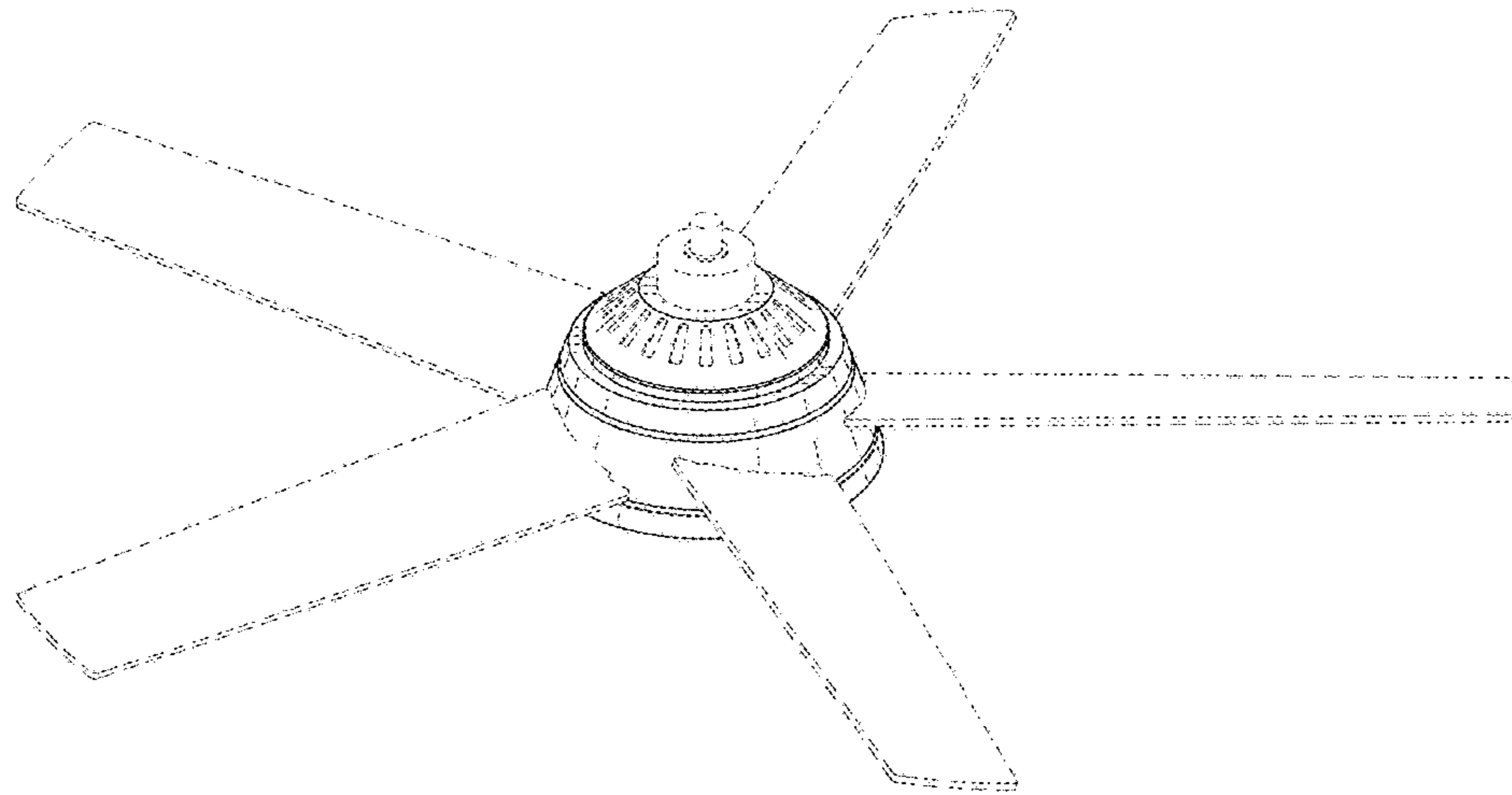


FIG. 1

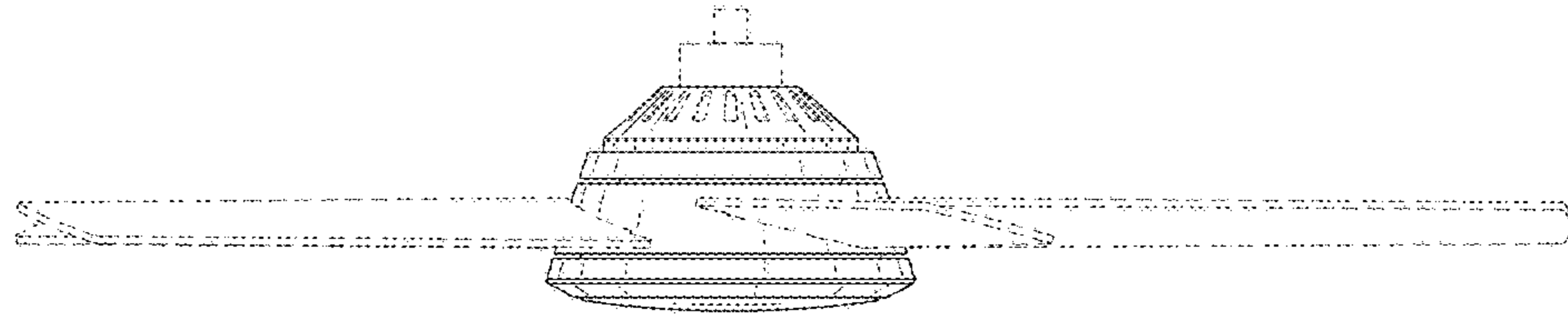


FIG. 2

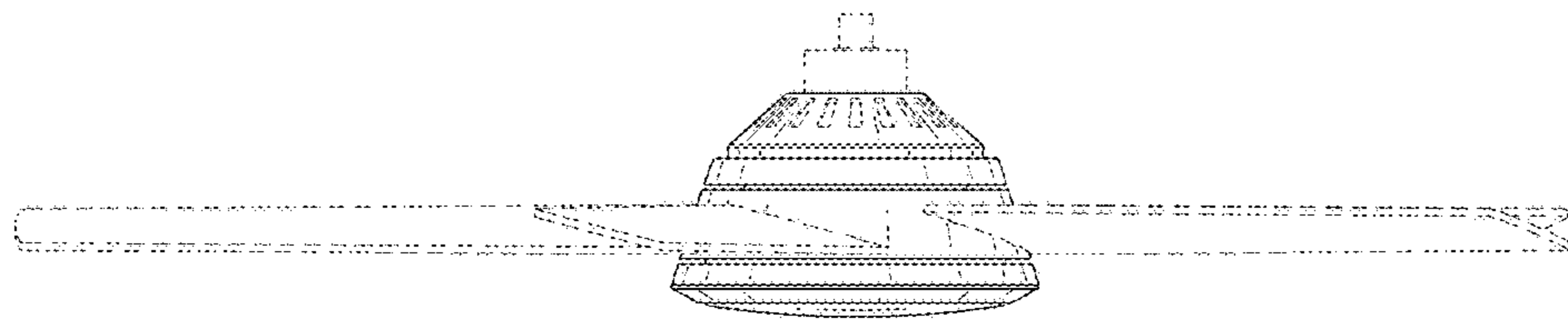


FIG. 3

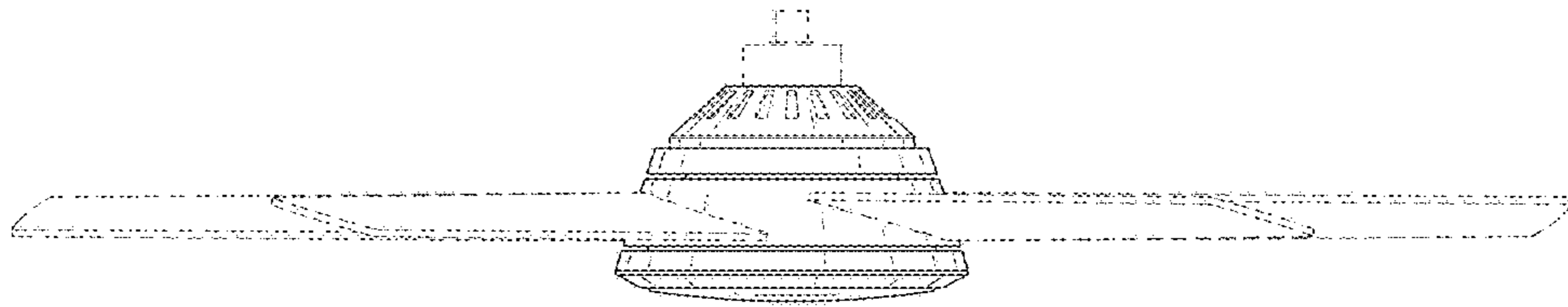


FIG. 4

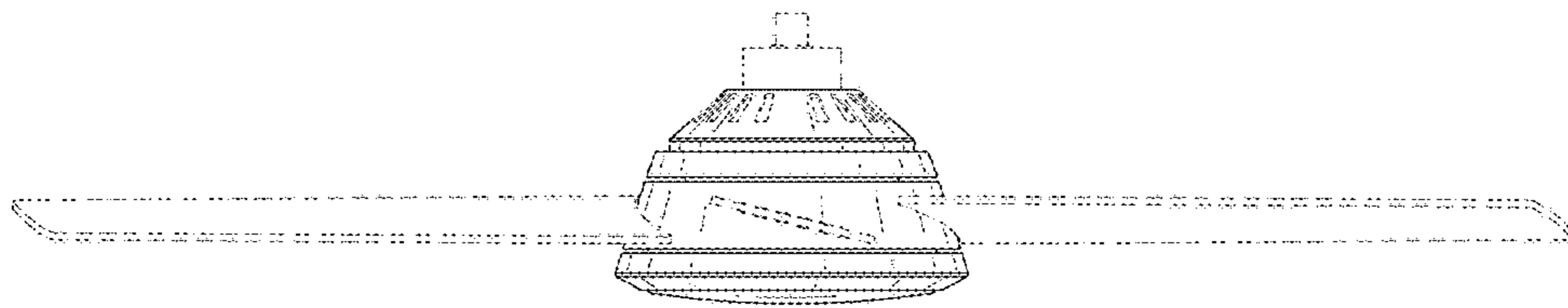


FIG. 5

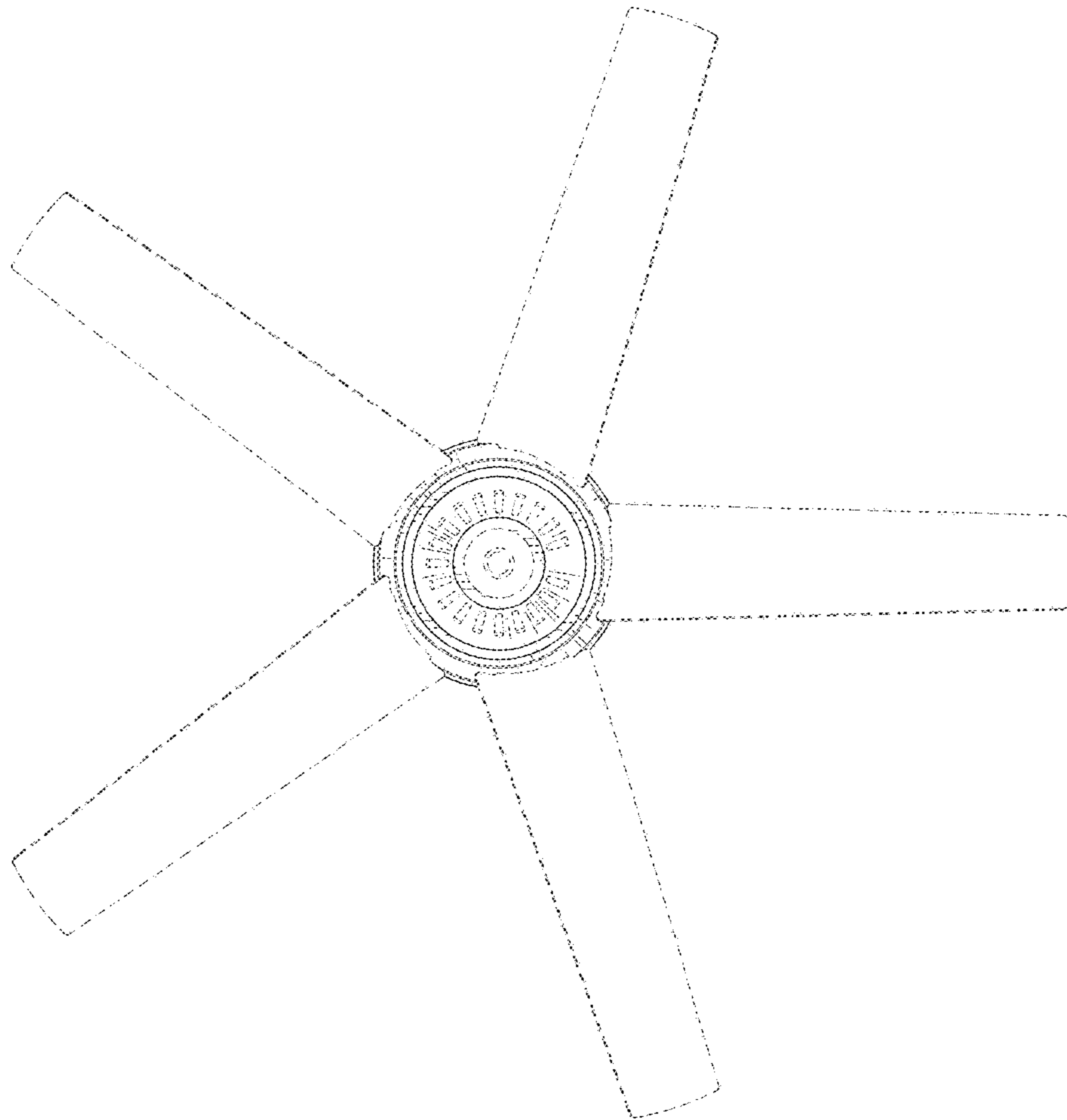


FIG. 6

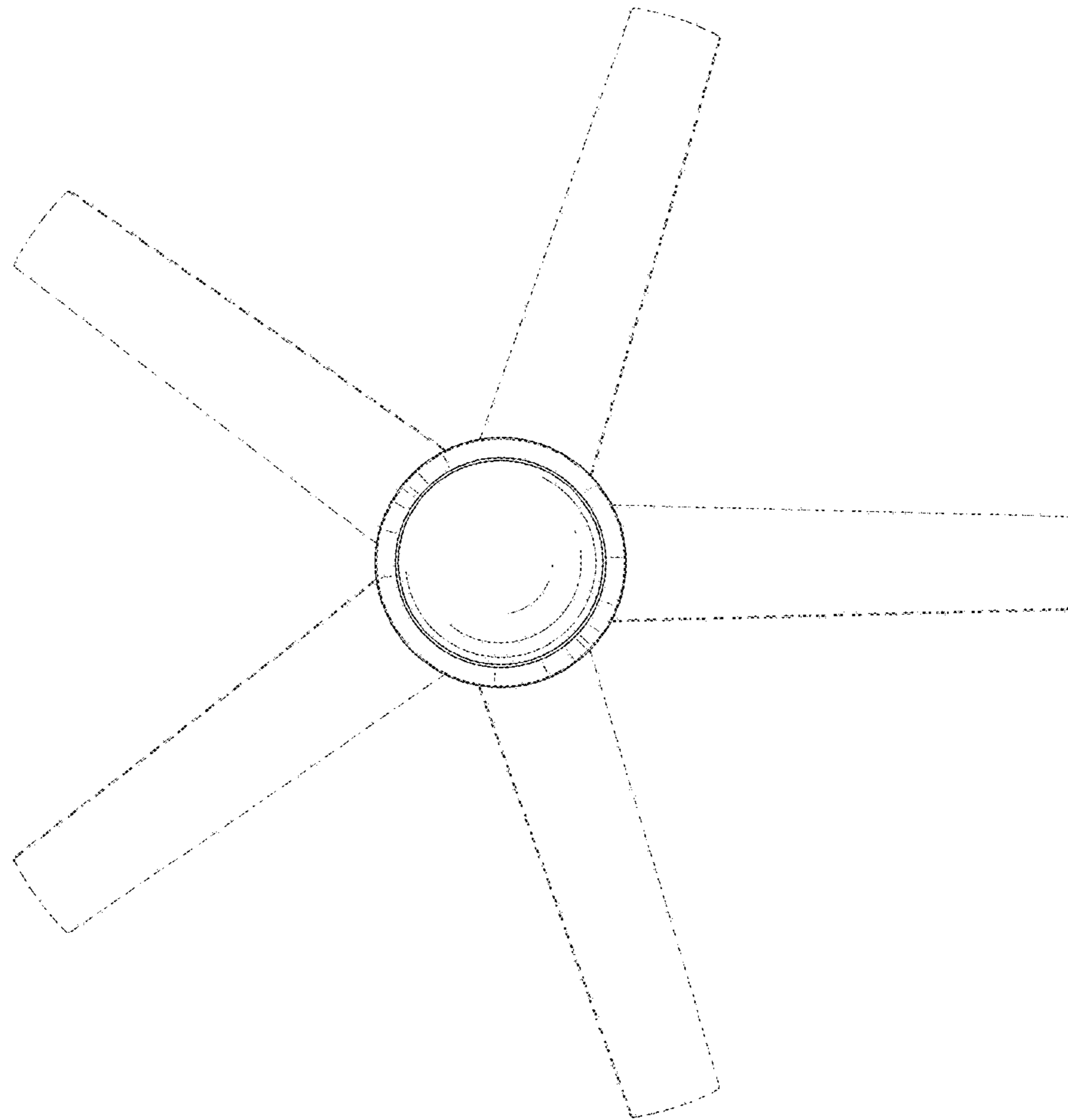


FIG. 7

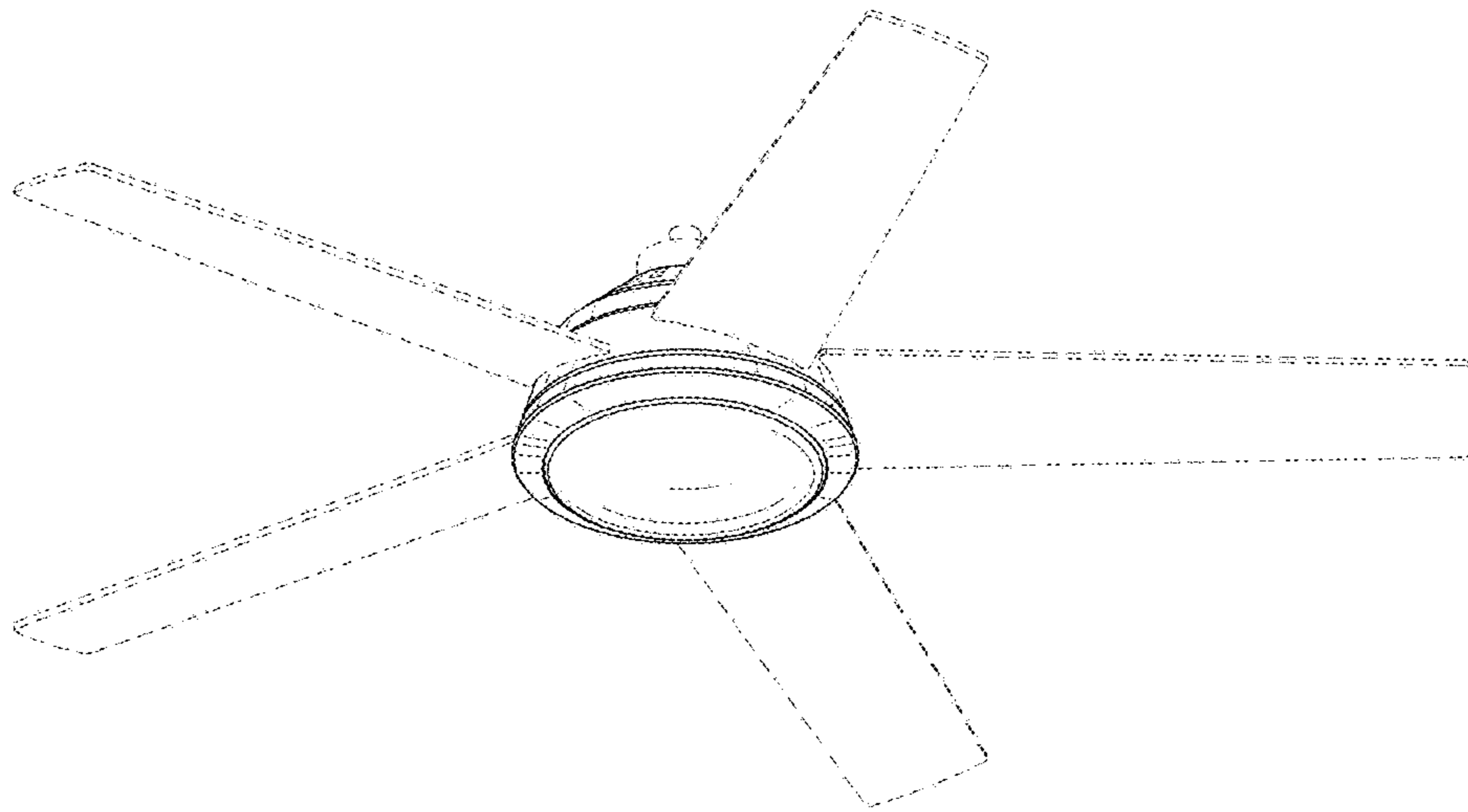


FIG. 8