



US00D861152S

(12) **United States Design Patent** (10) **Patent No.:** **US D861,152 S**  
**Orozco** (45) **Date of Patent:** **\*\* Sep. 24, 2019**

(54) **CEILING FAN**

(71) Applicant: **Sergio Orozco**, New York City, NY  
(US)

(72) Inventor: **Sergio Orozco**, New York City, NY  
(US)

(\*\*) Term: **15 Years**

(21) Appl. No.: **29/642,823**

(22) Filed: **Apr. 2, 2018**

(51) **LOC (12) Cl.** ..... **23-04**

(52) **U.S. Cl.**  
USPC ..... **D23/377**

(58) **Field of Classification Search**  
USPC ..... D23/370–385, 411–414; D26/59, 85, 86,  
D26/89, 90  
CPC ..... F04D 25/088; F04D 29/38; F04D 29/384;  
F04D 29/386; F21V 33/0096  
See application file for complete search history.

(56) **References Cited**

**U.S. PATENT DOCUMENTS**

D344,606 S	*	2/1994	Fouke	.....	D26/130
D402,382 S	*	12/1998	Pearce	.....	D26/85
D483,847 S	*	12/2003	Tai	.....	D23/377
D627,454 S	*	11/2010	Pan	.....	D23/377
D632,412 S	*	2/2011	Pan	.....	D26/59
D633,611 S	*	3/2011	Pan	.....	D23/377

D788,282 S	*	5/2017	Wang	.....	D23/377
D789,511 S	*	6/2017	Wang	.....	D23/377
D808,512 S	*	1/2018	Hidalgo	.....	D23/411
D821,559 S	*	6/2018	Hidalgo	.....	D23/377
D833,597 S	*	11/2018	Hidalgo	.....	D23/377
D840,015 S	*	2/2019	Badarello	.....	D23/385

\* cited by examiner

*Primary Examiner* — Cathron C Brooks

*Assistant Examiner* — Sharon S Oum

(74) *Attorney, Agent, or Firm* — Muncy, Geissler, Olds & Lowe, P.C.

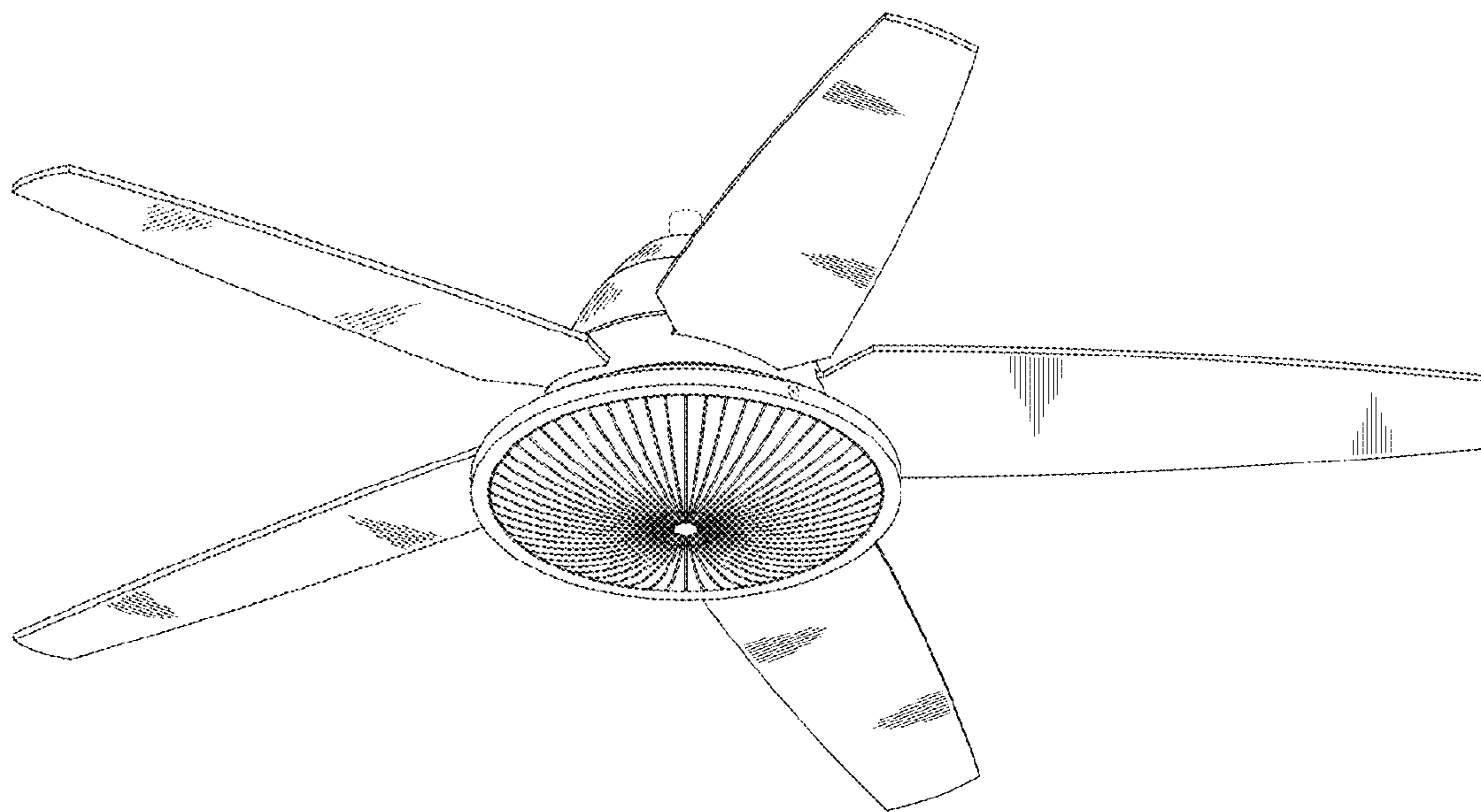
(57) **CLAIM**

The ornamental design for a ceiling fan, as shown and described.

**DESCRIPTION**

FIG. 1 is a perspective view of a ceiling fan, showing the new design;  
FIG. 2 is an enlarged perspective view of a portion thereof shown separately for completeness of illustration;  
FIG. 3 is a front view of FIG. 1;  
FIG. 4 is a rear view thereof;  
FIG. 5 is a left side view thereof;  
FIG. 6 is a right side view thereof;  
FIG. 7 is a top view thereof; and,  
FIG. 8 is a bottom view thereof.  
The broken lines in the drawings illustrate portions of the ceiling fan that form no part of the claimed design.

**1 Claim, 8 Drawing Sheets**



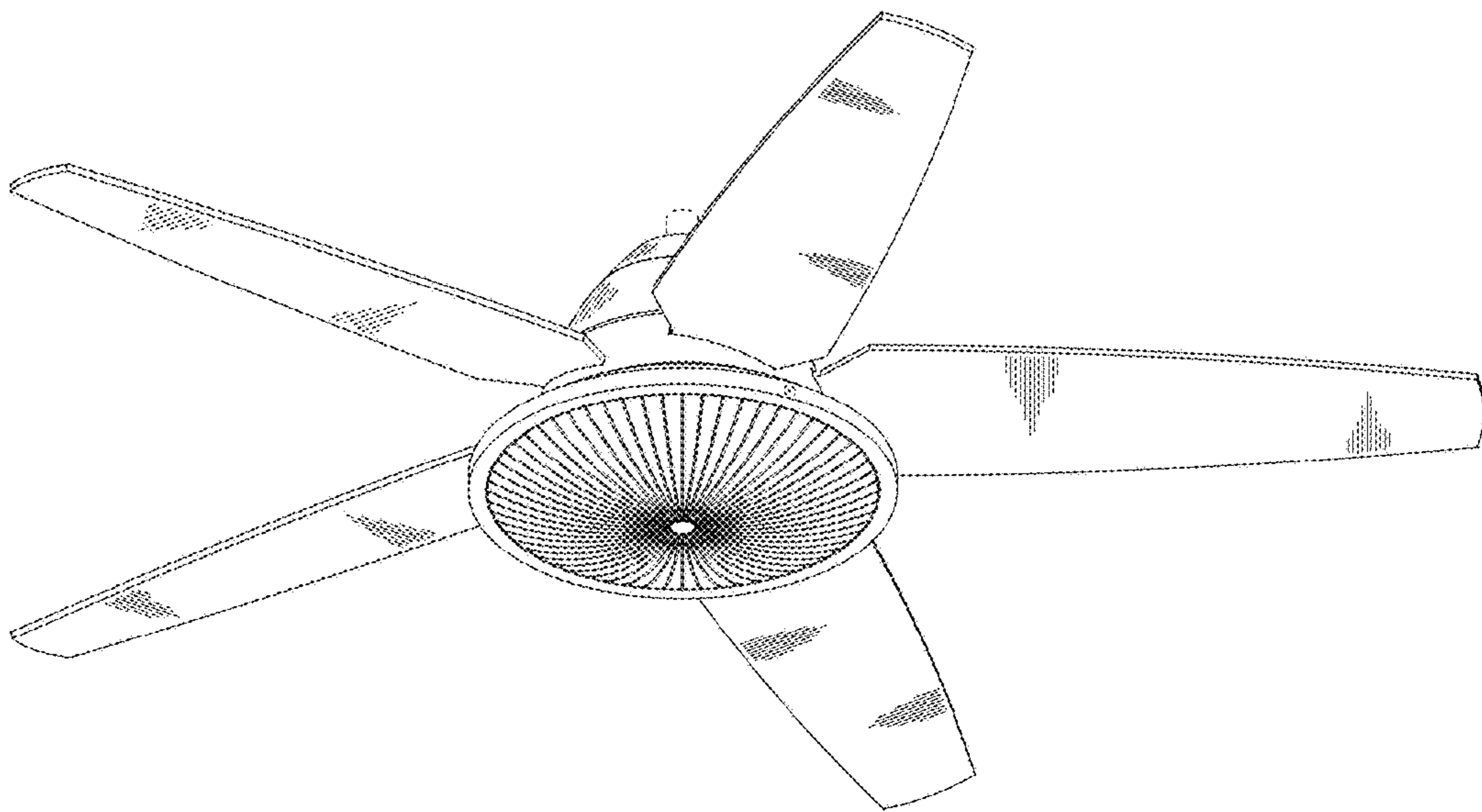


FIG. 1

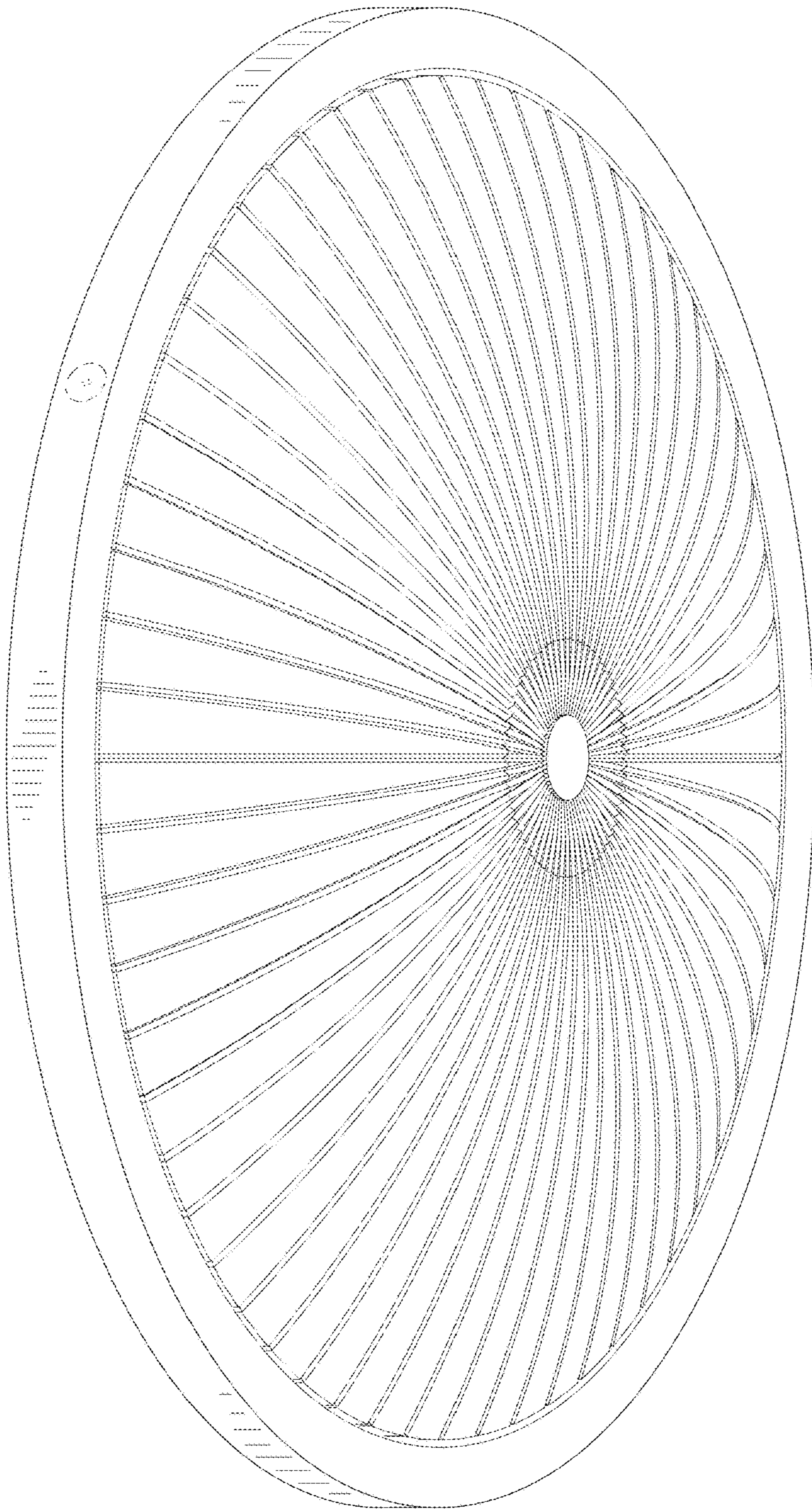


FIG. 2

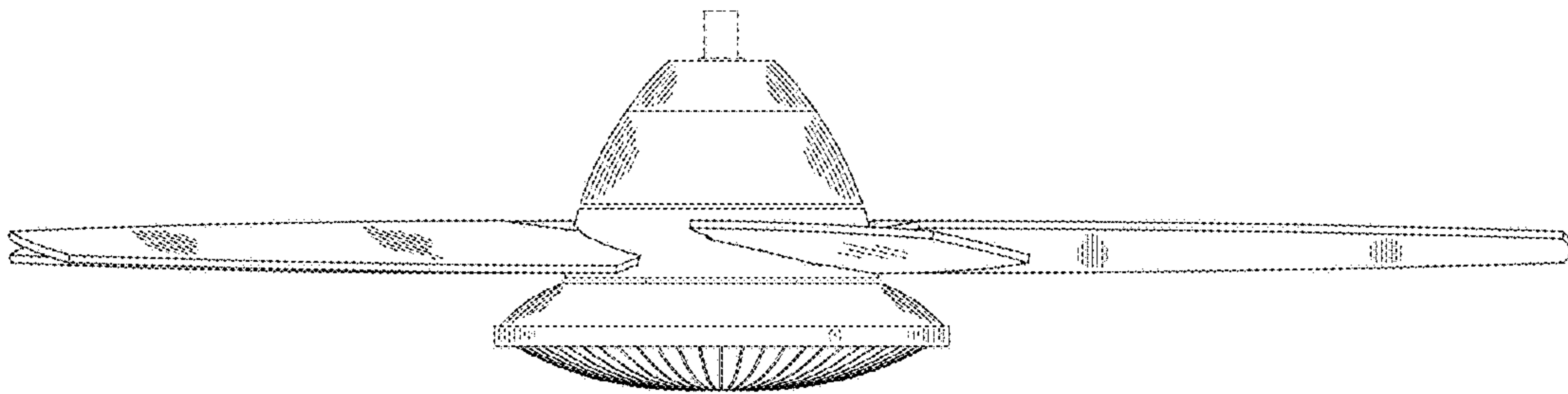


FIG. 3

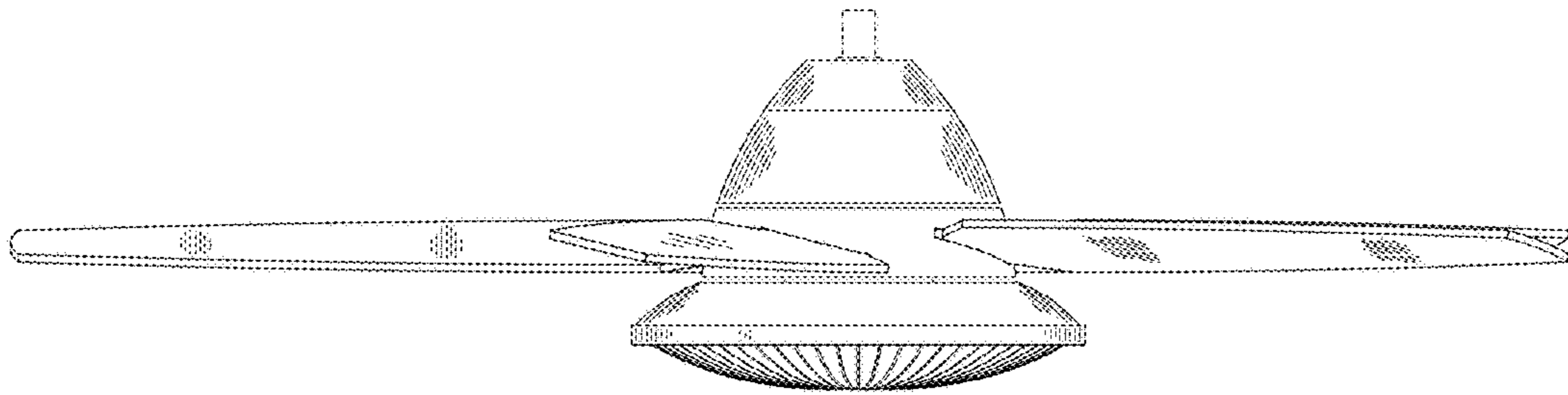


FIG. 4

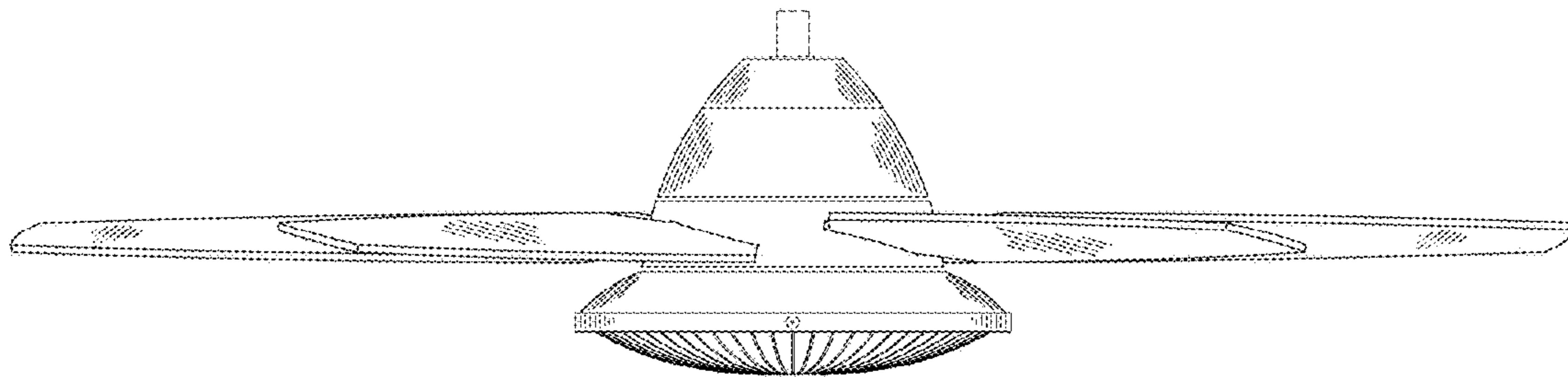


FIG. 5

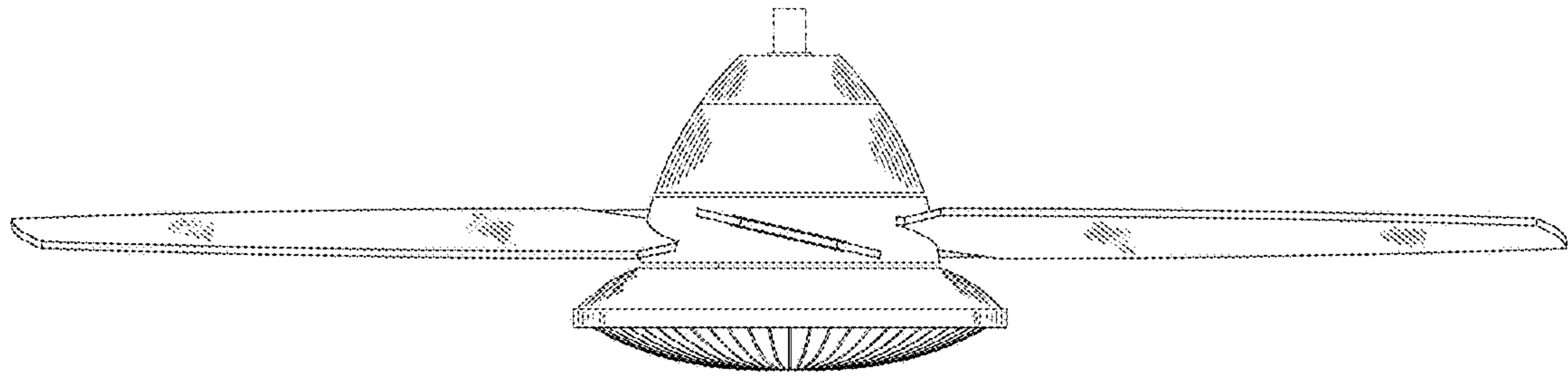


FIG. 6

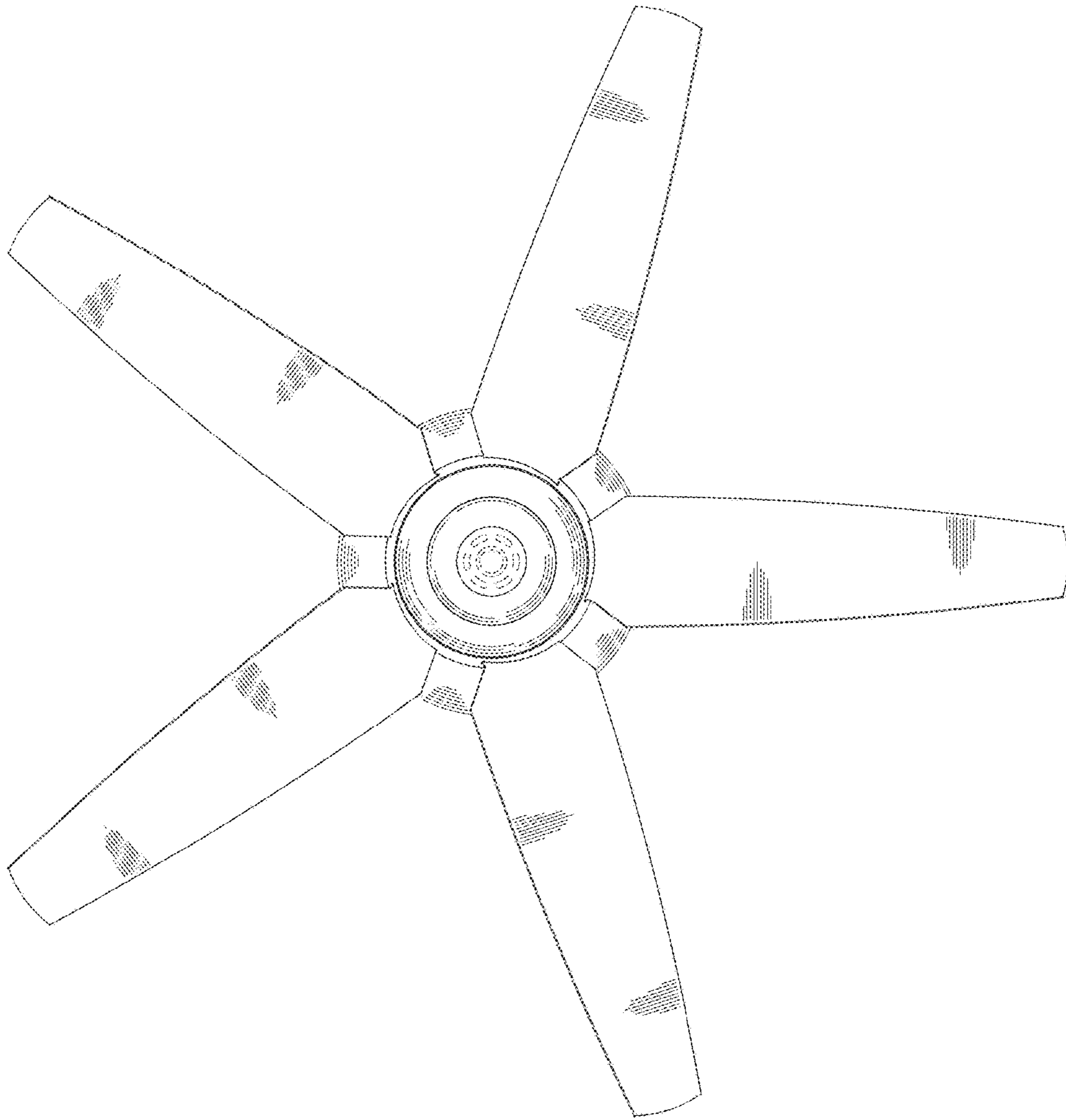


FIG. 7



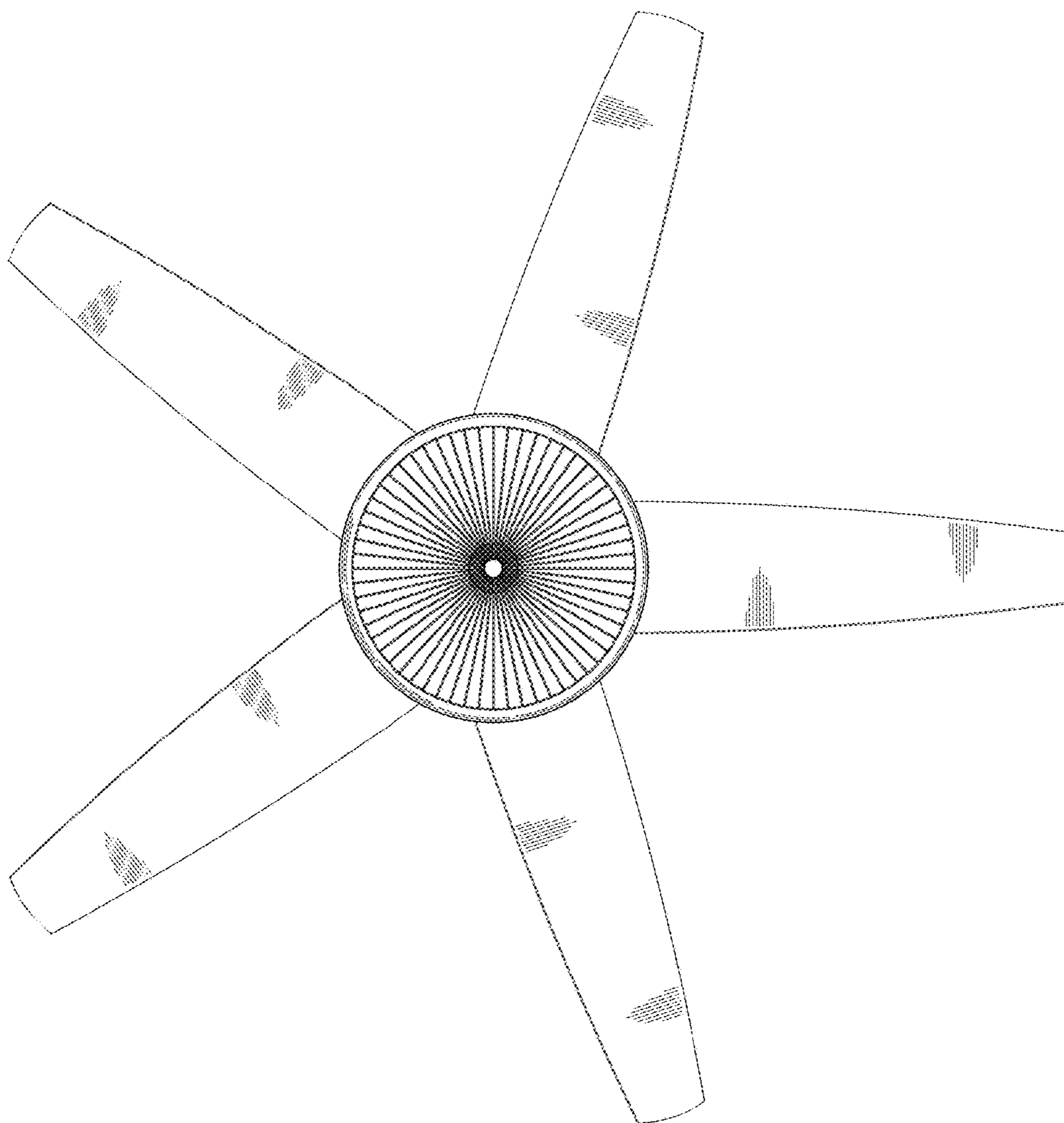


FIG. 8